

US00D894651S

(12) **United States Design Patent**  
**Chu et al.**

(10) **Patent No.:** **US D894,651 S**

(45) **Date of Patent:** **\*\* Sep. 1, 2020**

- (54) **DESK**
- (71) Applicants: **Zoocy Chia-Tien Chu**, Byron Center, MI (US); **Douglas Pan**, Tainan (TW)
- (72) Inventors: **Zoocy Chia-Tien Chu**, Byron Center, MI (US); **Douglas Pan**, Tainan (TW)
- (\*\*) Term: **15 Years**
- (21) Appl. No.: **29/684,295**
- (22) Filed: **Mar. 20, 2019**
- (51) **LOC (12) Cl.** ..... **06-06**
- (52) **U.S. Cl.**  
USPC ..... **D6/700**; D6/656.11
- (58) **Field of Classification Search**  
USPC .... D6/641, 642, 656, 656.11, 698, 700, 701  
CPC .... A47B 7/00; A47B 9/00; A47B 9/20; A47B 13/00; A47B 13/02; A47B 13/04; A47B 13/06; A47B 13/08; A47B 13/10; A47B 17/00; A47B 19/00; A47B 19/06; A47B 19/10; A47B 21/00; A47B 2200/0001; A47B 2200/0011; A47B 2200/002; A47B 2200/005; A47B 2200/0051; A47B 2200/0052  
See application file for complete search history.

D285,507 S *	9/1986	Middlemist .....	D6/700
D286,831 S *	11/1986	Matyear .....	D6/700
D296,275 S *	6/1988	Fisher .....	D6/700
D300,092 S *	3/1989	Middlemist .....	D6/700
D360,777 S *	8/1995	Glebe .....	D6/310
D561,490 S *	2/2008	Traun .....	F16M 11/28 D6/700
2006/0016945 A1 *	1/2006	Taylor .....	F16M 11/28 248/188.5

\* cited by examiner

*Primary Examiner* — Mary Ann Calabrese

(74) *Attorney, Agent, or Firm* — Alan D. Kamrath; Mayer & Williams PC

(57) **CLAIM**

The ornamental design for a desk, as shown and described.

**DESCRIPTION**

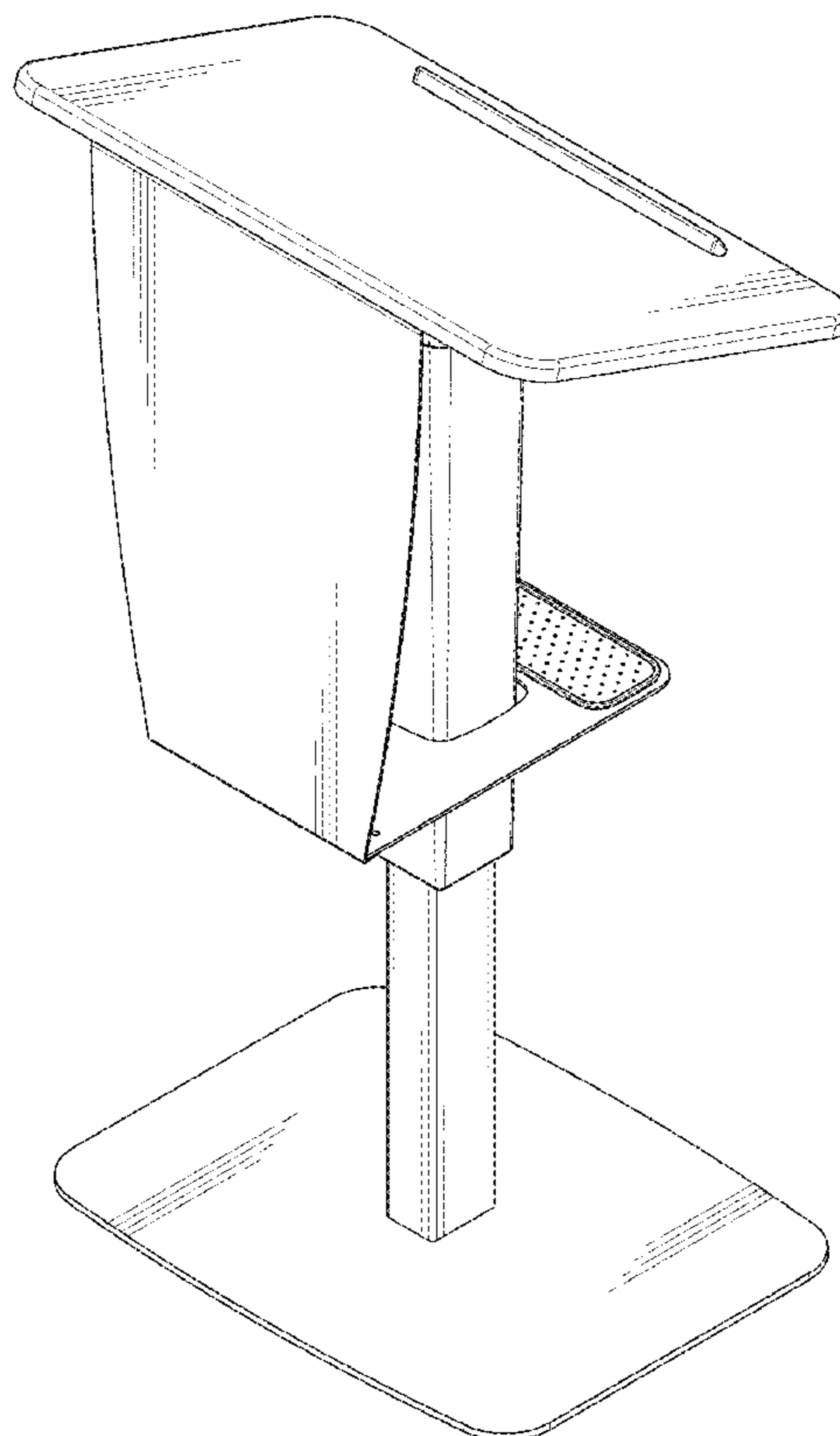
FIG. 1 is a top/front perspective view of a desk showing our new design;  
 FIG. 2 is a bottom/rear perspective view of a thereof;  
 FIG. 3 is a front elevation view thereof;  
 FIG. 4 is a rear elevation view thereof;  
 FIG. 5 is a left side elevation view thereof;  
 FIG. 6 is a right side elevation view thereof;  
 FIG. 7 is a top plan view thereof; and,  
 FIG. 8 is a bottom plan view thereof.

**1 Claim, 8 Drawing Sheets**

(56) **References Cited**

**U.S. PATENT DOCUMENTS**

D132,166 S *	4/1942	Cloutier .....	D6/700
D148,838 S *	3/1948	Anderson et al. ....	D6/691.4



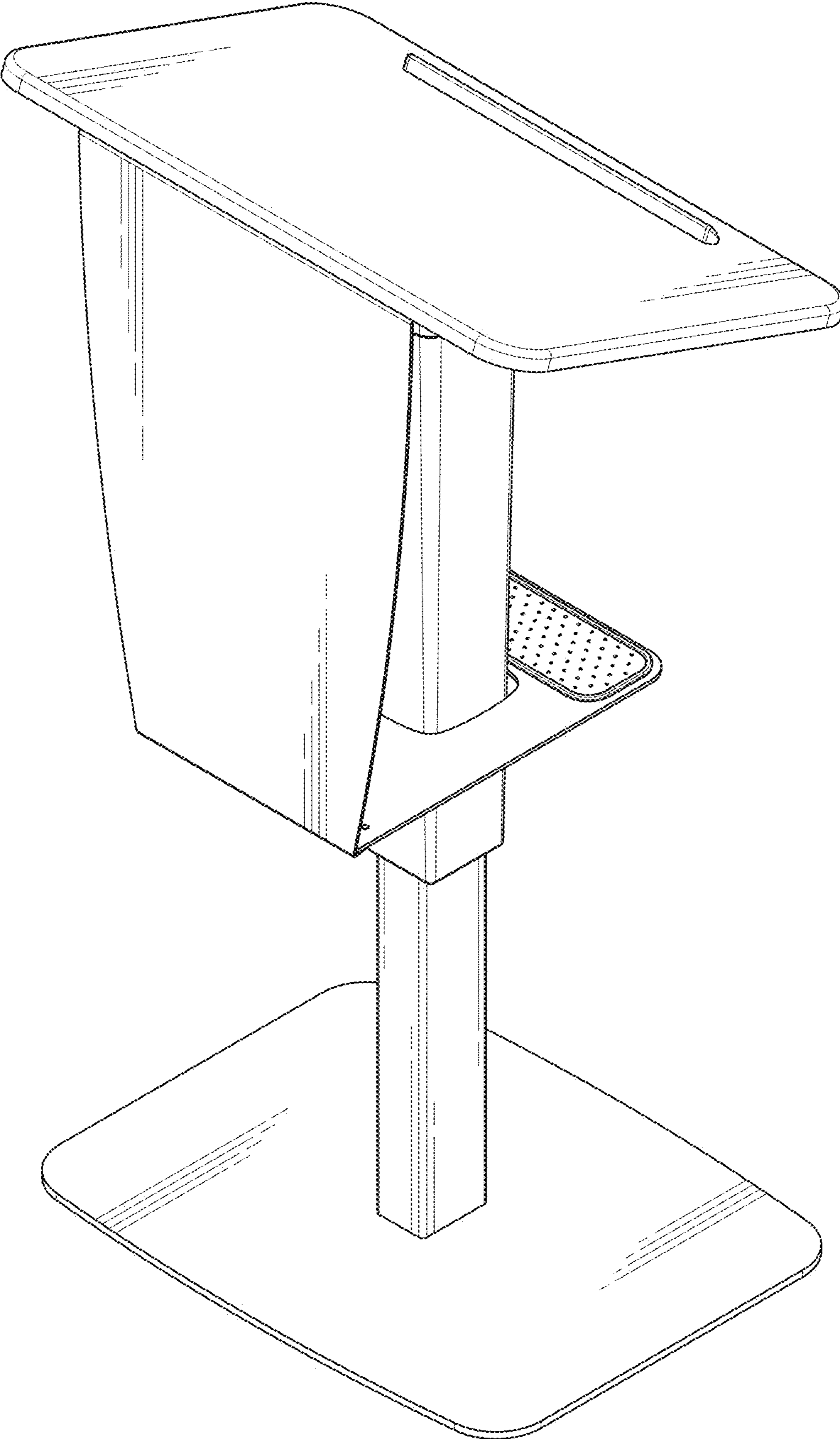


FIG. 1

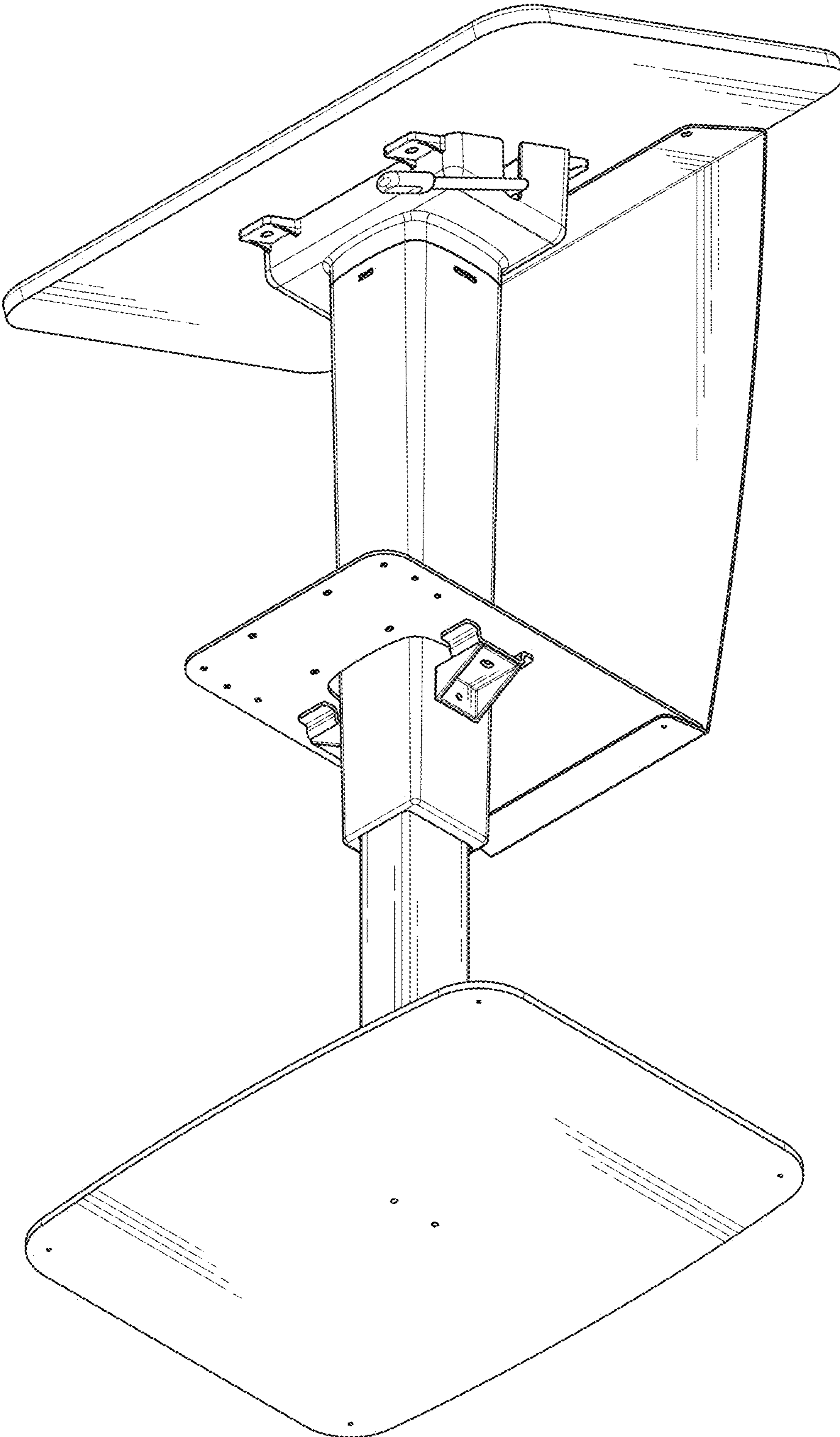


FIG. 2

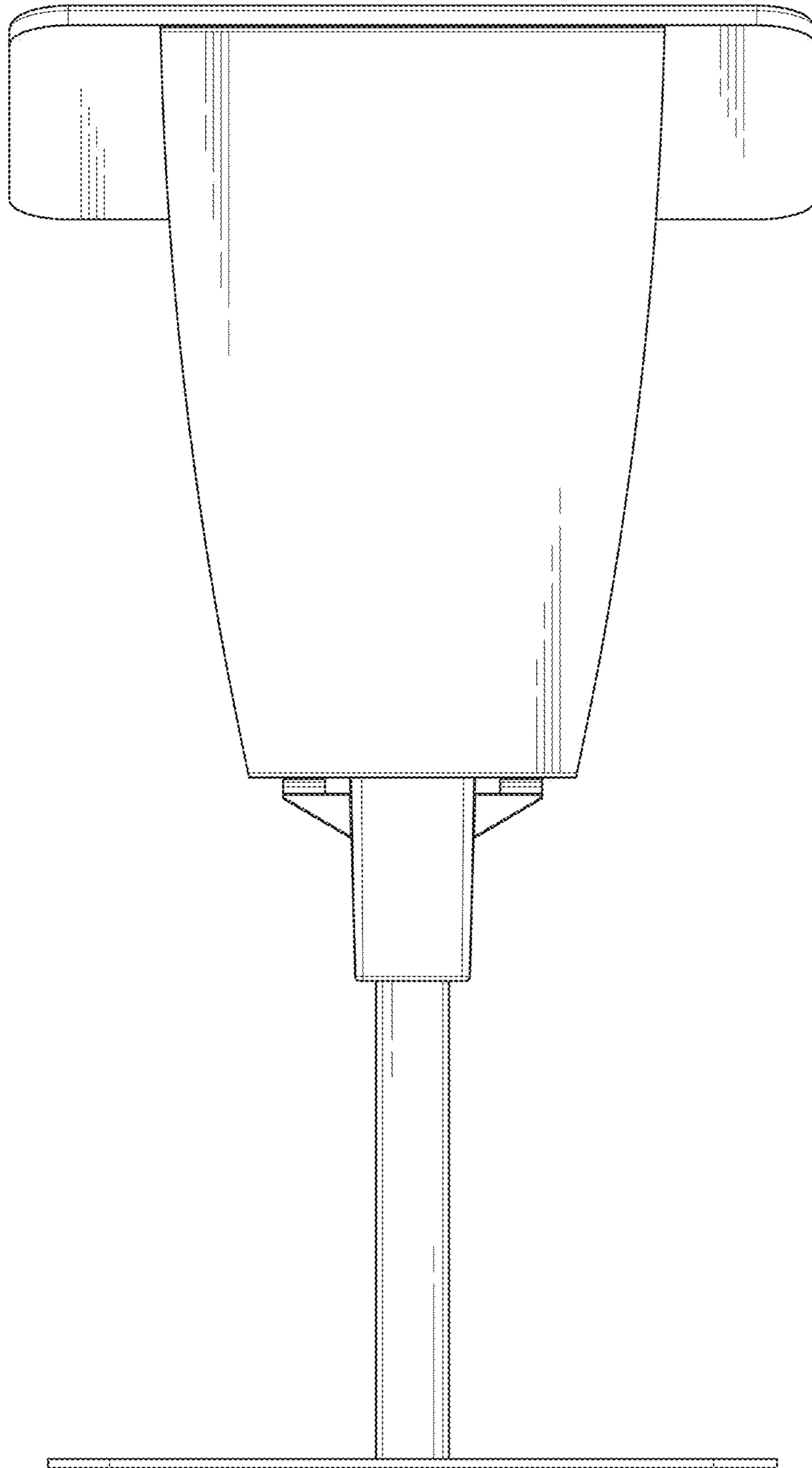


FIG. 3

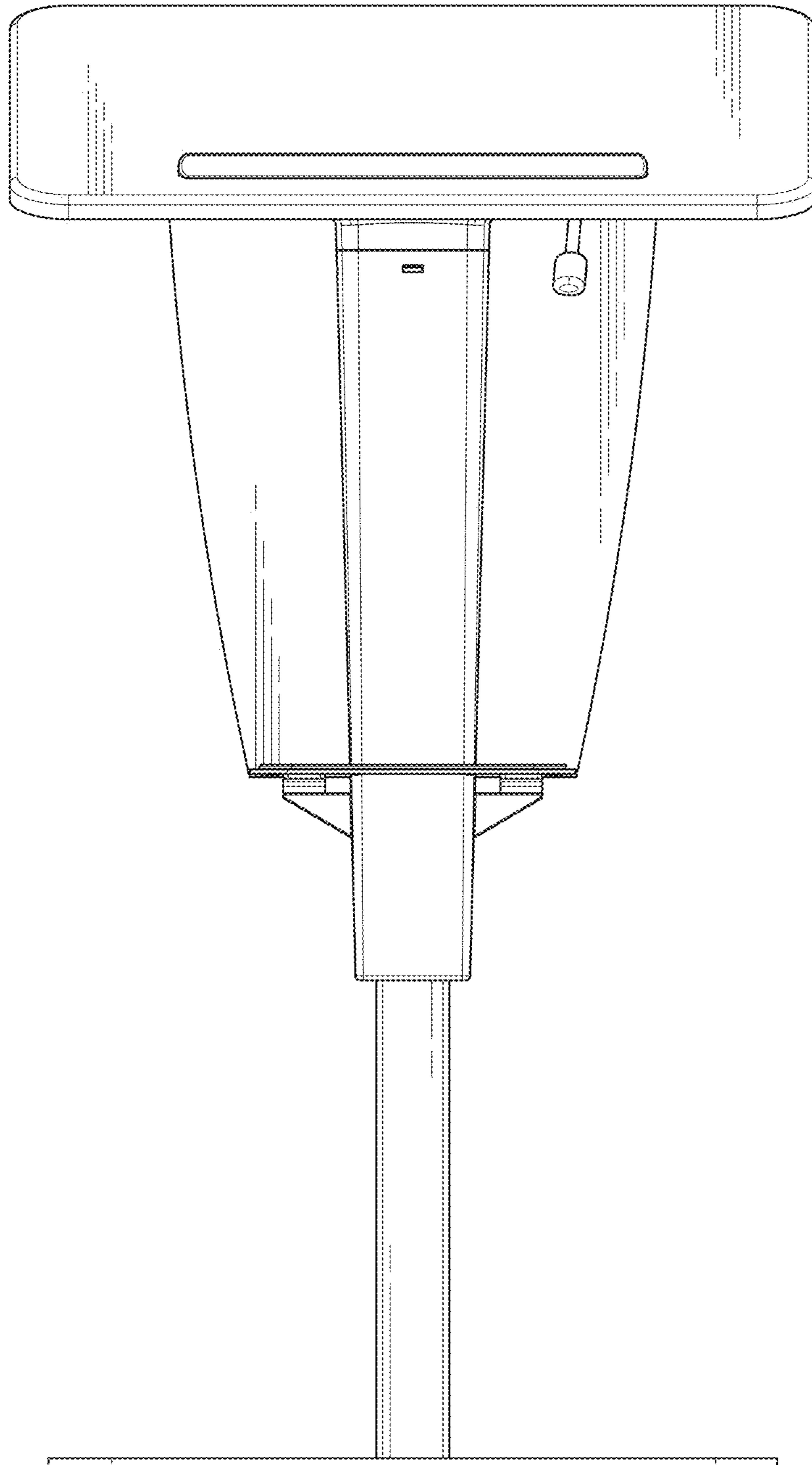


FIG. 4

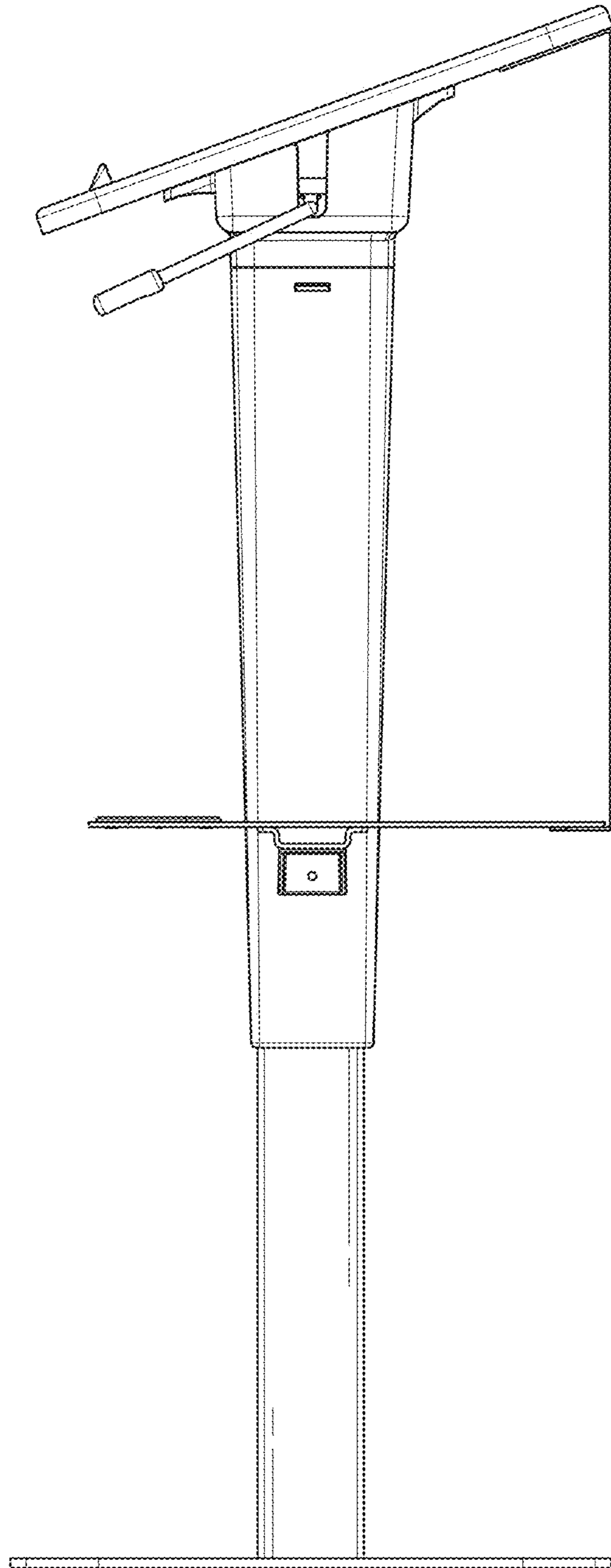
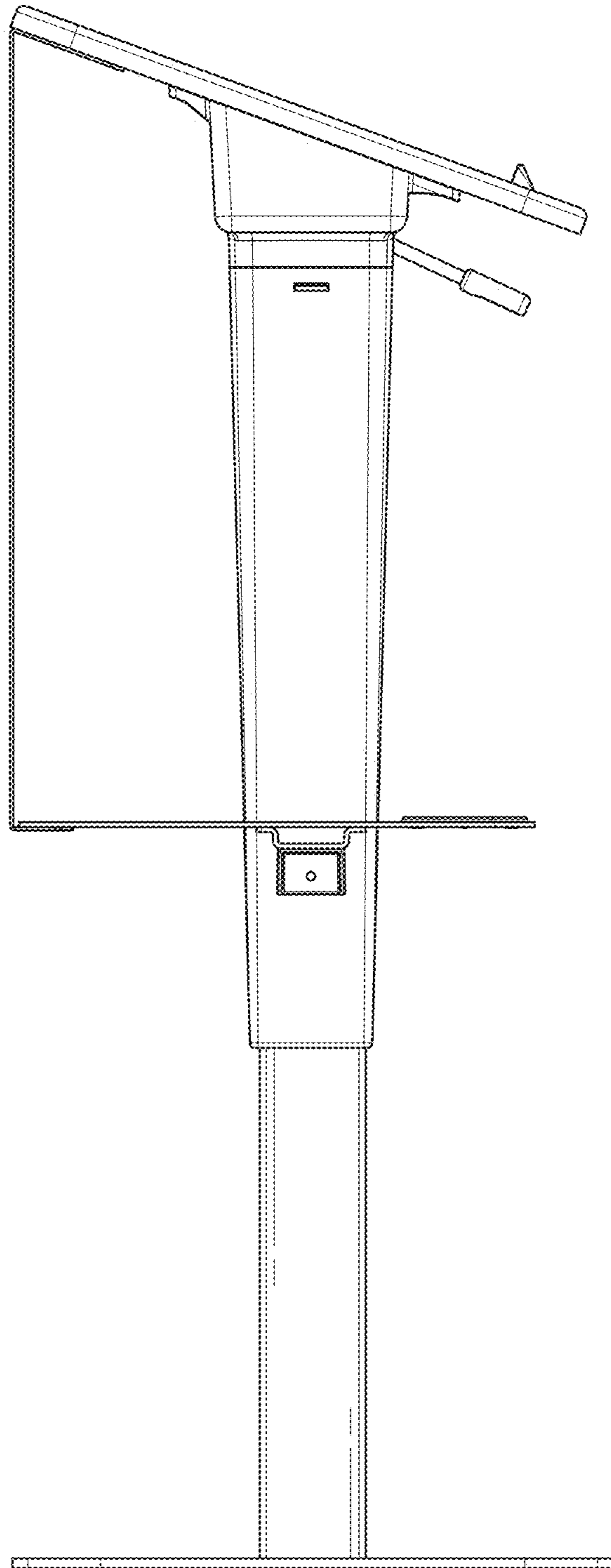


FIG. 5



F I G . 6

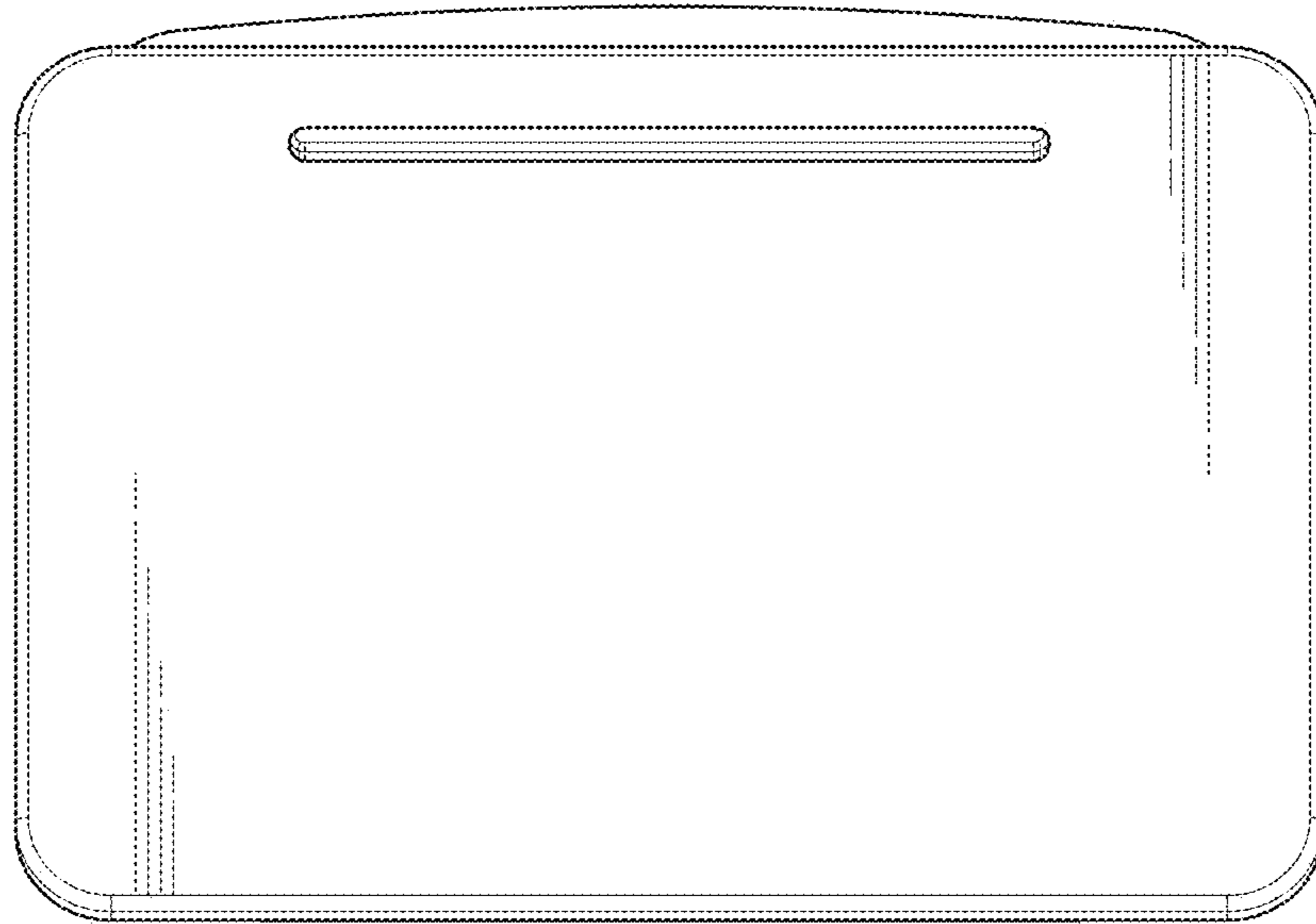


FIG. 7



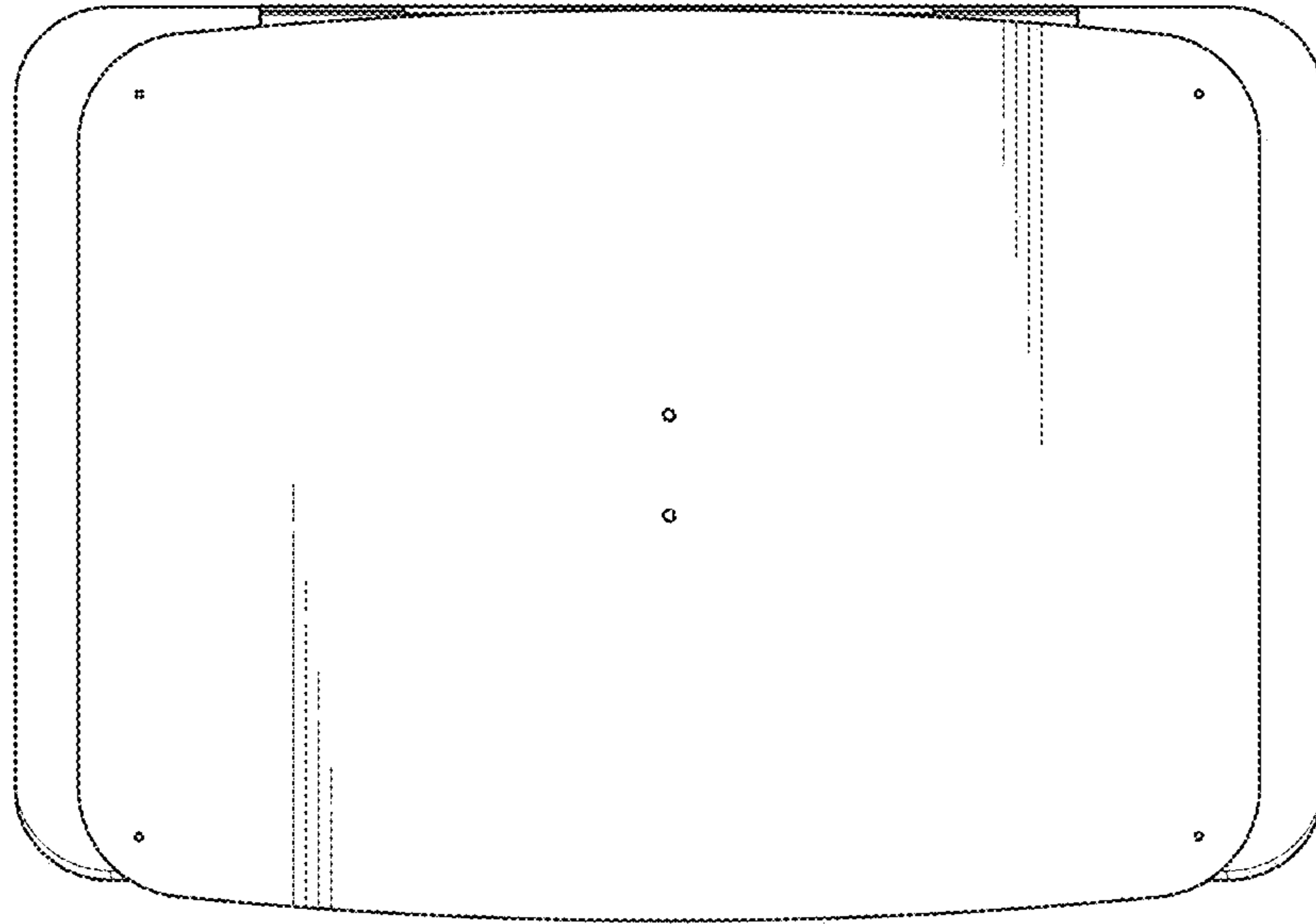


FIG. 8