



US00D894643S

(12) **United States Design Patent**  
**Bashkin**

(10) **Patent No.:** **US D894,643 S**

(45) **Date of Patent:** **\*\* Sep. 1, 2020**

(54) **STORAGE CONTAINER**

(71) Applicant: **3 STRIKE, LLC**, Cleveland, OH (US)

(72) Inventor: **Leonard Bashkin**, Cleveland, OH (US)

(73) Assignee: **3 STRIKE, LLC**, Cleveland, OH (US)

(\*\*) Term: **15 Years**

(21) Appl. No.: **29/684,453**

(22) Filed: **Mar. 21, 2019**

**Related U.S. Application Data**

(63) Continuation of application No. 29/601,914, filed on Apr. 27, 2017, now Pat. No. Des. 850,824, which is (Continued)

(51) **LOC (12) Cl.** ..... **06-04**

(52) **U.S. Cl.**  
USPC ..... **D6/671**

(58) **Field of Classification Search**  
USPC ..... D6/370, 570, 630, 657, 659, 653.1, D6/660-661, 662-662.1, 663, 664, 671, (Continued)

(56) **References Cited**

**U.S. PATENT DOCUMENTS**

2,424,217 A 7/1947 Bales  
2,459,443 A 1/1949 Mabry  
(Continued)

**FOREIGN PATENT DOCUMENTS**

EP 2363831 7/2011  
WO 9950801 10/1999  
WO 2005084237 9/2005

*Primary Examiner* — Ricky Pham

(74) *Attorney, Agent, or Firm* — Tucker Ellis LLP; Carlos Garritano; Ross Kowalski

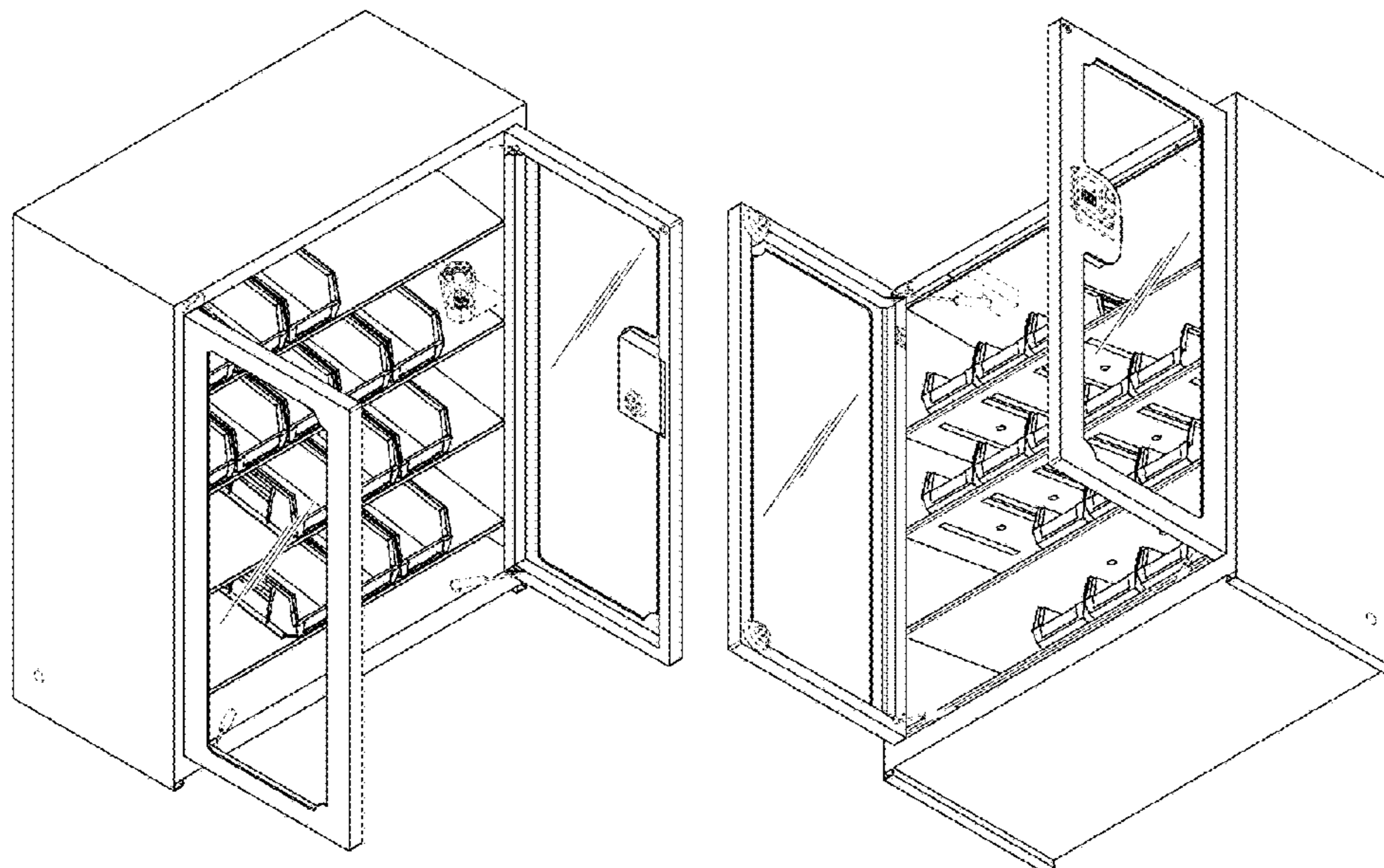
(57) **CLAIM**

The ornamental design for a storage container, as shown and described.

**DESCRIPTION**

FIG. 1 is a top front left perspective view of a storage container;  
FIG. 2 is a top right front perspective view of the storage container shown in FIG. 1;  
FIG. 3 is a bottom front left perspective of the storage container shown in FIG. 1;  
FIG. 4 is a bottom front right perspective of the storage container shown in FIG. 1;  
FIG. 5 is a top rear left perspective of the storage container shown in FIG. 1;  
FIG. 6 is a top rear right perspective of the storage container shown in FIG. 1;  
FIG. 7 is a bottom rear left perspective of the storage container shown in FIG. 1;  
FIG. 8 is a bottom rear right perspective of the storage container shown in FIG. 1;  
FIG. 9 is a front view of the storage container shown in FIG. 1;  
FIG. 10 is a rear view of the storage container shown in FIG. 1;  
FIG. 11 is a left side view of the storage container shown in FIG. 1;  
FIG. 12 is a right side view of the storage container shown in FIG. 1;  
FIG. 13 is a top view of the storage container shown in FIGS. 1; and,  
FIG. 14 is a bottom view of the storage container shown in FIG. 1.  
The broken lines in the drawings illustrate the portions of the storage container that form no part of the claimed design.

**1 Claim, 7 Drawing Sheets**



**Related U.S. Application Data**

a continuation of application No. 29/526,984, filed on May 14, 2015, now Pat. No. Des. 789,712.

(58) **Field of Classification Search**

USPC .. D6/671.1, 672, 675.2-675.4, 678.1-682.2, D6/703.1  
 CPC ..... A47B 17/03; A47B 17/04; A47B 57/16; A47F 2/00; A47F 3/00; A47F 3/005; A47F 3/06; A47F 5/0018; A47F 7/00; A47F 7/021; A47F 7/283; A47F 9/00; E04B 2002/7483; E04B 2002/7488; E05C 3/042; F25D 25/024; G07F 11/18; H02B 1/50

See application file for complete search history.

(56) **References Cited**

U.S. PATENT DOCUMENTS

D236,357 S 8/1975 Clayton  
 D246,147 S 10/1977 Muller  
 4,742,925 A 5/1988 Henderson  
 D309,461 S 7/1990 Bussan  
 4,938,442 A 7/1990 Mastrodicasa  
 5,905,653 A 5/1999 Higham et al.  
 6,561,601 B1 5/2003 Maffeo  
 D481,558 S 11/2003 Milligan  
 6,694,221 B2 2/2004 Chavez et al.  
 D496,540 S 9/2004 Moon  
 D499,582 S 12/2004 McDiarmid  
 D526,816 S \* 8/2006 Nowotarski ..... D6/671.1  
 7,092,789 B2 8/2006 Chavez et al.  
 D527,927 S \* 9/2006 Nowotarski ..... D6/671

D541,563 S 5/2007 Labonia  
 D559,588 S \* 1/2008 Mehmen ..... D6/671.1  
 D623,443 S 9/2010 Zambelli  
 D643,656 S 8/2011 Golias, Sr.  
 D645,427 S 9/2011 Delakowitz  
 D658,217 S 4/2012 Wenning  
 D660,059 S 5/2012 Nilsson  
 D668,475 S 10/2012 Zambelli  
 D676,694 S 2/2013 Daily  
 D694,046 S 11/2013 Walter  
 8,746,908 B2 6/2014 Michael  
 D718,966 S 12/2014 Bennie  
 9,349,113 B2 5/2016 Bashkin  
 D789,712 S 6/2017 Bashkin  
 D811,132 S 2/2018 Ni  
 D850,824 S \* 6/2019 Bashkin ..... D6/671  
 2002/0118111 A1 8/2002 Brown et al.  
 2002/0140325 A1 \* 10/2002 Webster ..... H02B 1/50  
 312/223.1  
 2009/0072029 A1 3/2009 Martin  
 2009/0102332 A1 \* 4/2009 Lear ..... E05C 3/042  
 312/218  
 2009/0178427 A1 \* 7/2009 Eichman ..... F25D 25/024  
 62/331  
 2010/0045423 A1 2/2010 Glickman et al.  
 2010/0106625 A1 4/2010 McCoy  
 2010/0176699 A1 \* 7/2010 Biba ..... G07F 11/18  
 312/319.1  
 2011/0278246 A1 \* 11/2011 Daily ..... A47F 5/0018  
 211/59.2  
 2012/0130534 A1 5/2012 Wurm  
 2012/0200385 A1 8/2012 Savage et al.  
 2013/0070090 A1 3/2013 Bufalini et al.  
 2014/0168396 A1 6/2014 Kempniak et al.

\* cited by examiner



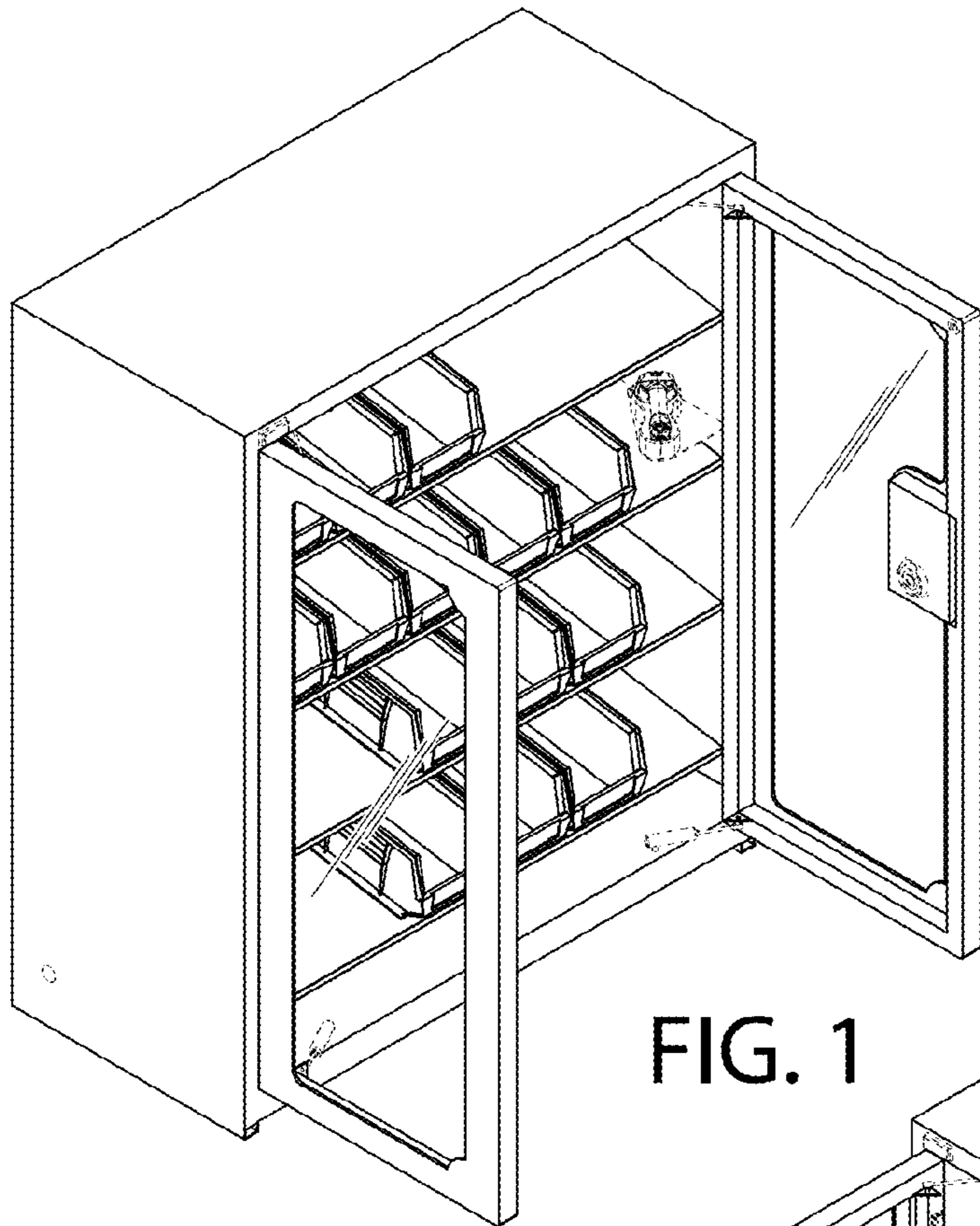


FIG. 1

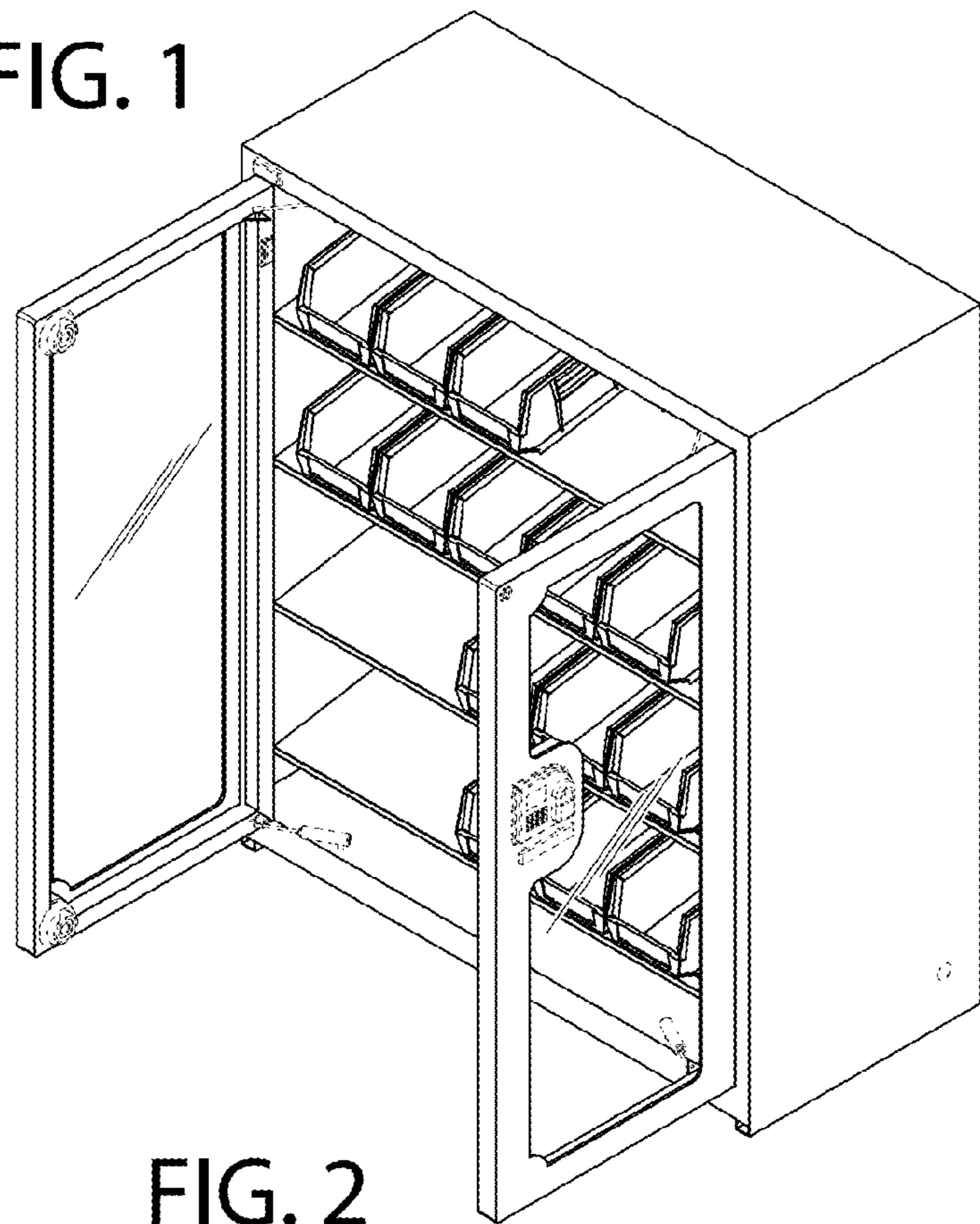


FIG. 2

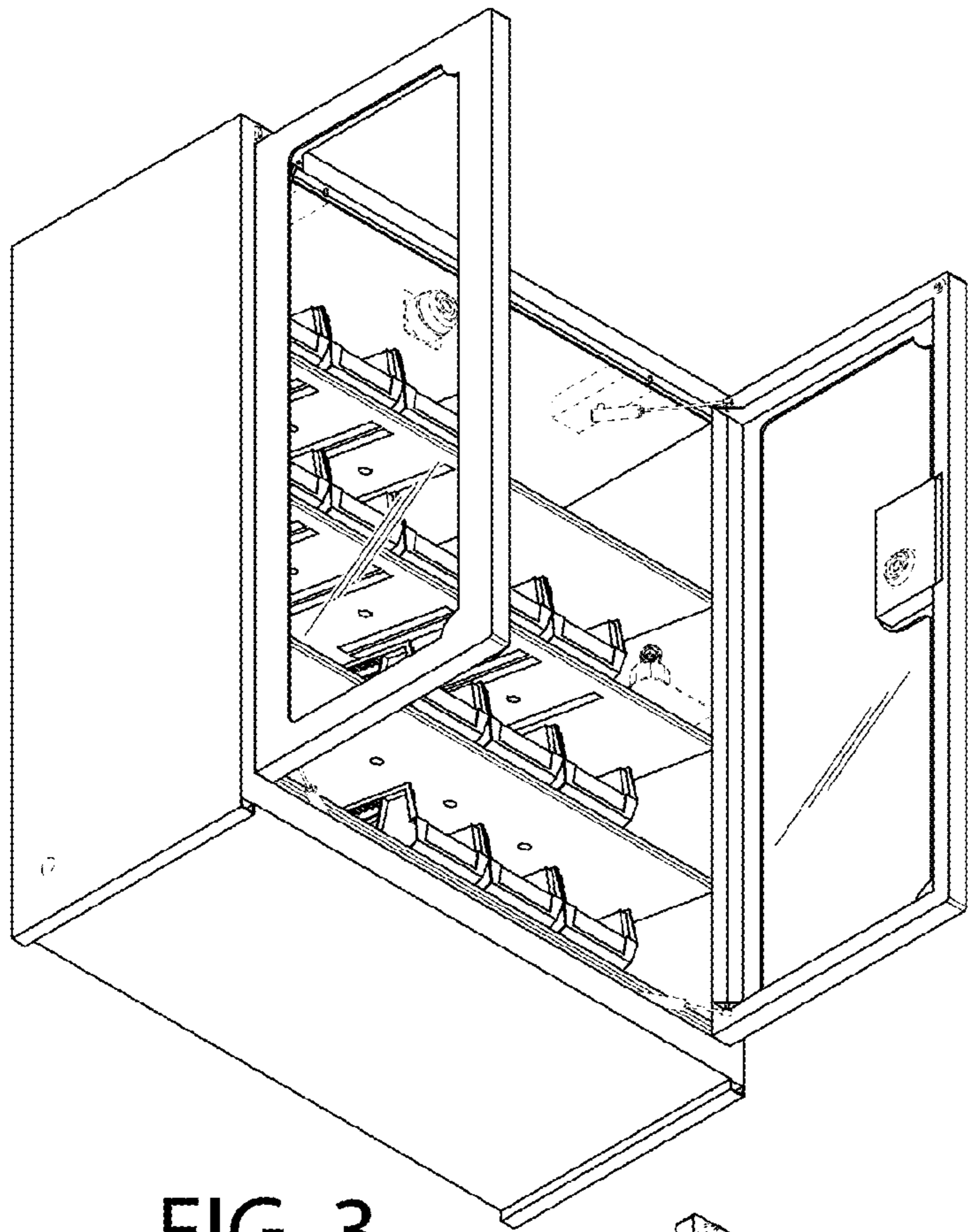


FIG. 3

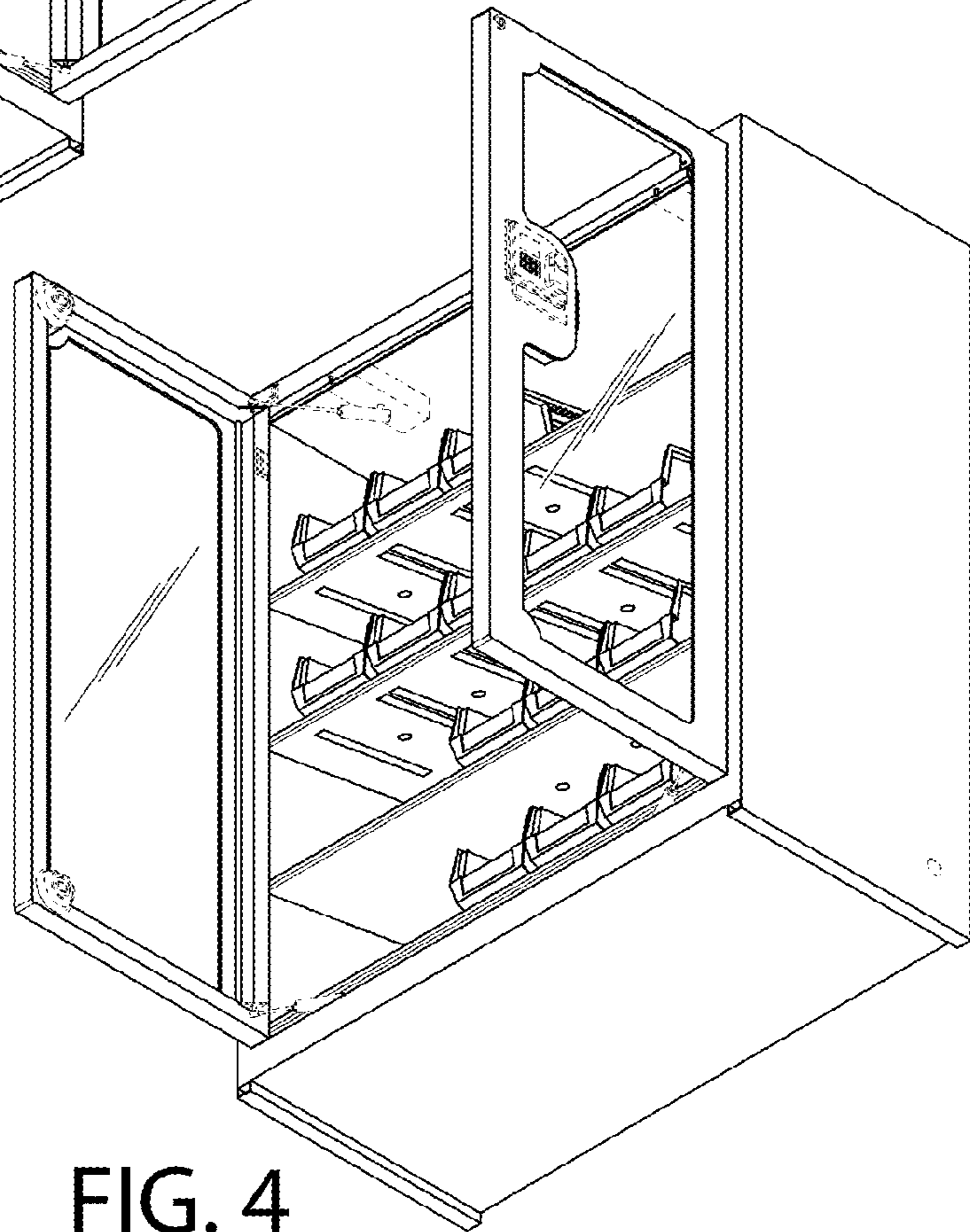


FIG. 4

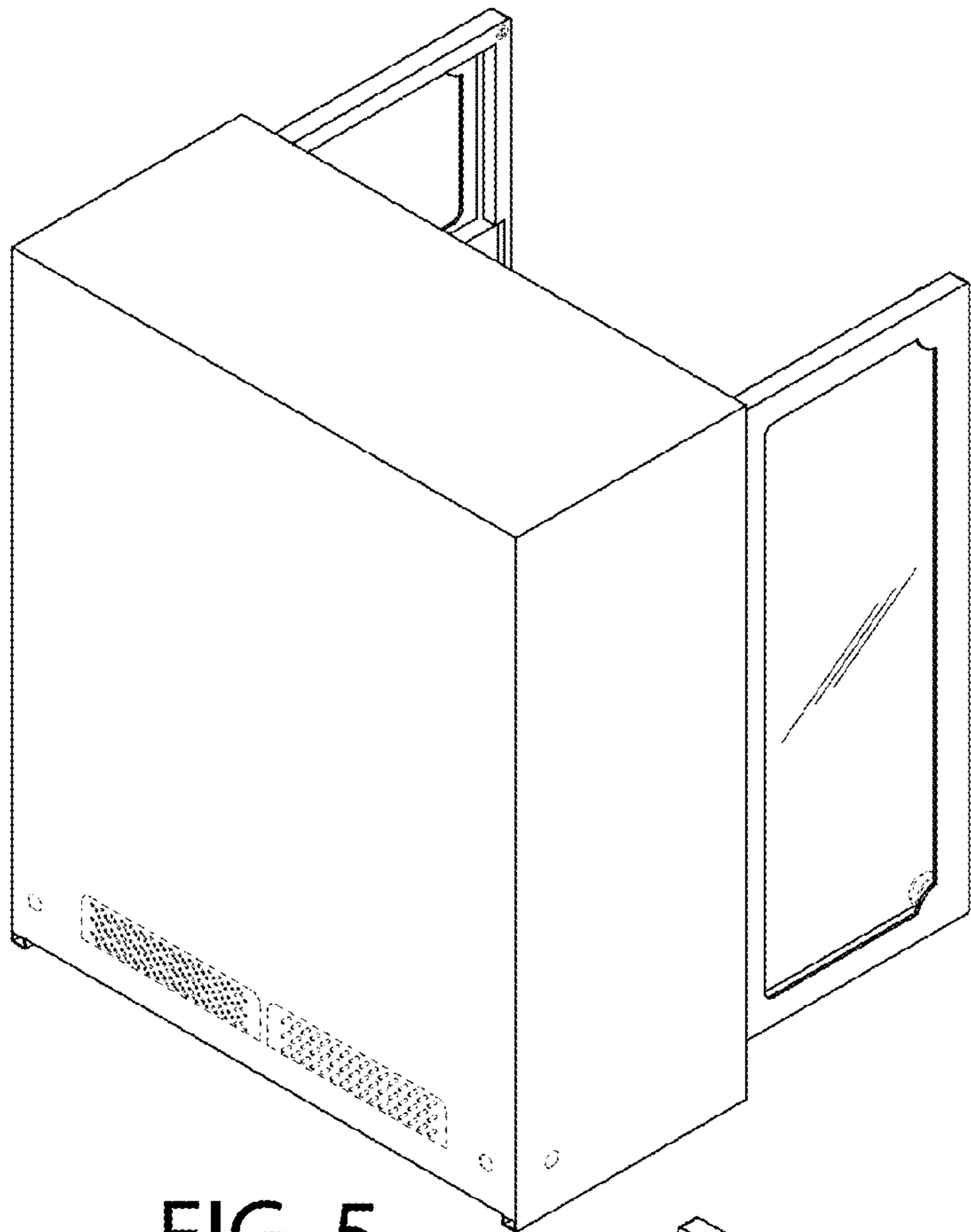


FIG. 5

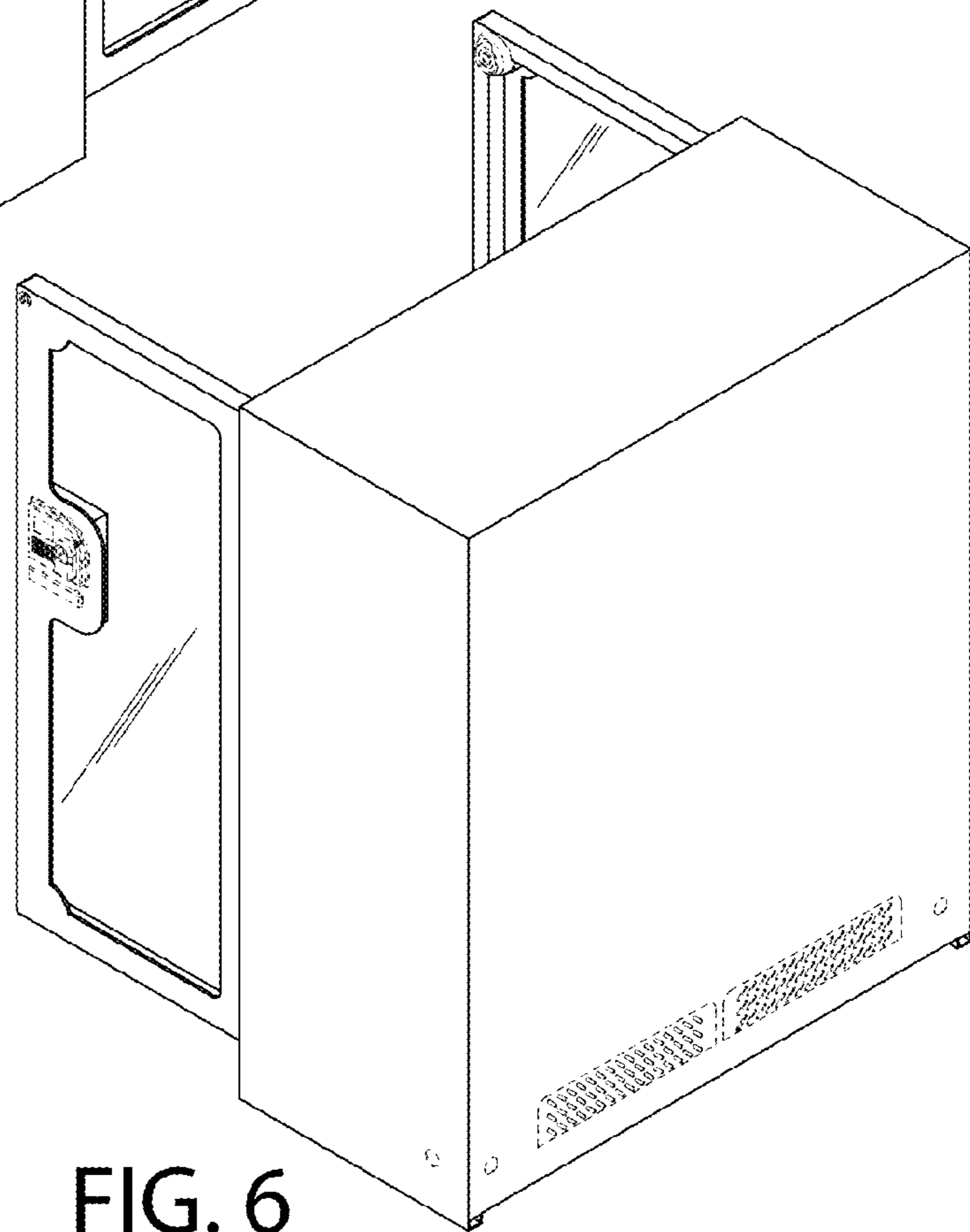


FIG. 6



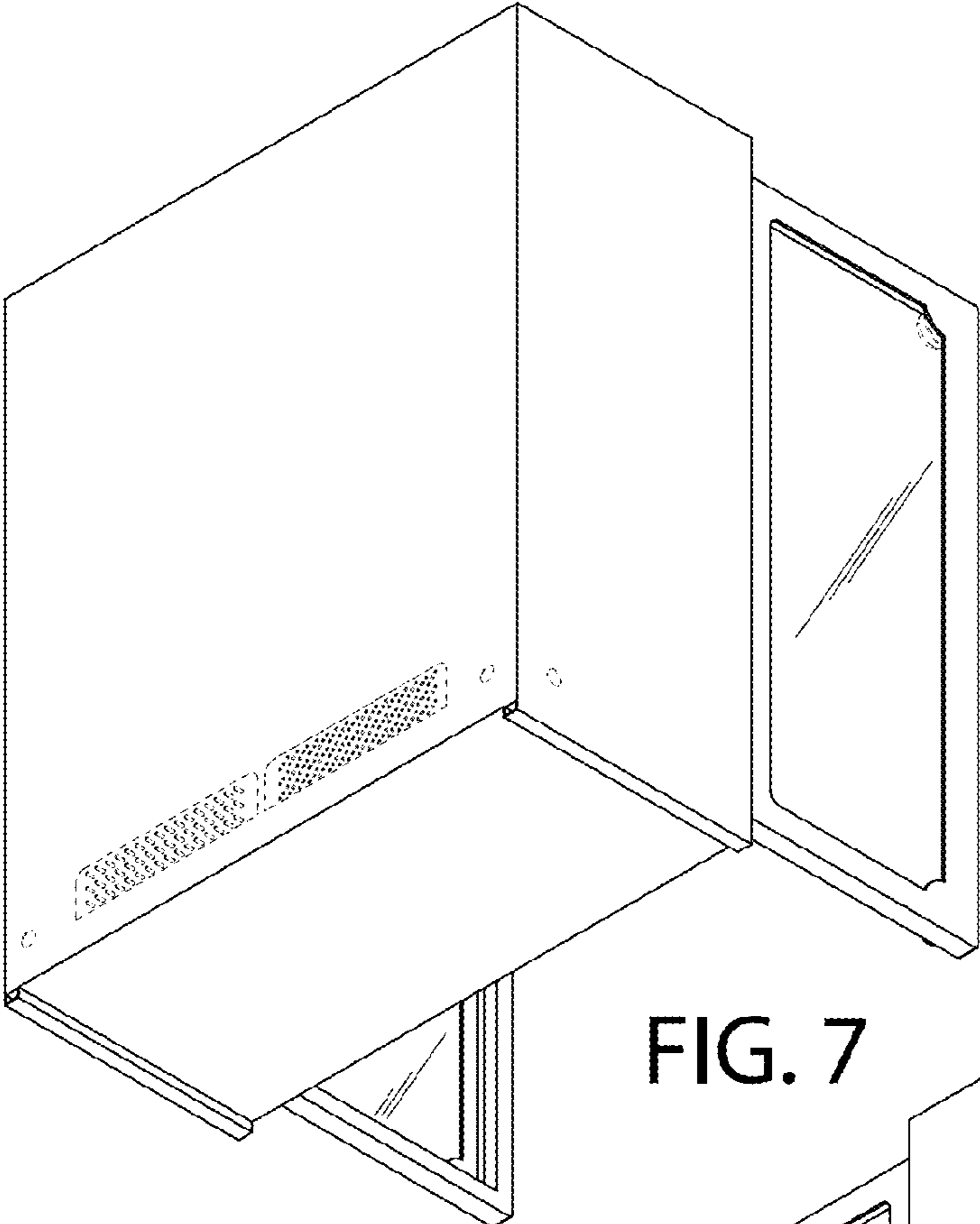


FIG. 7

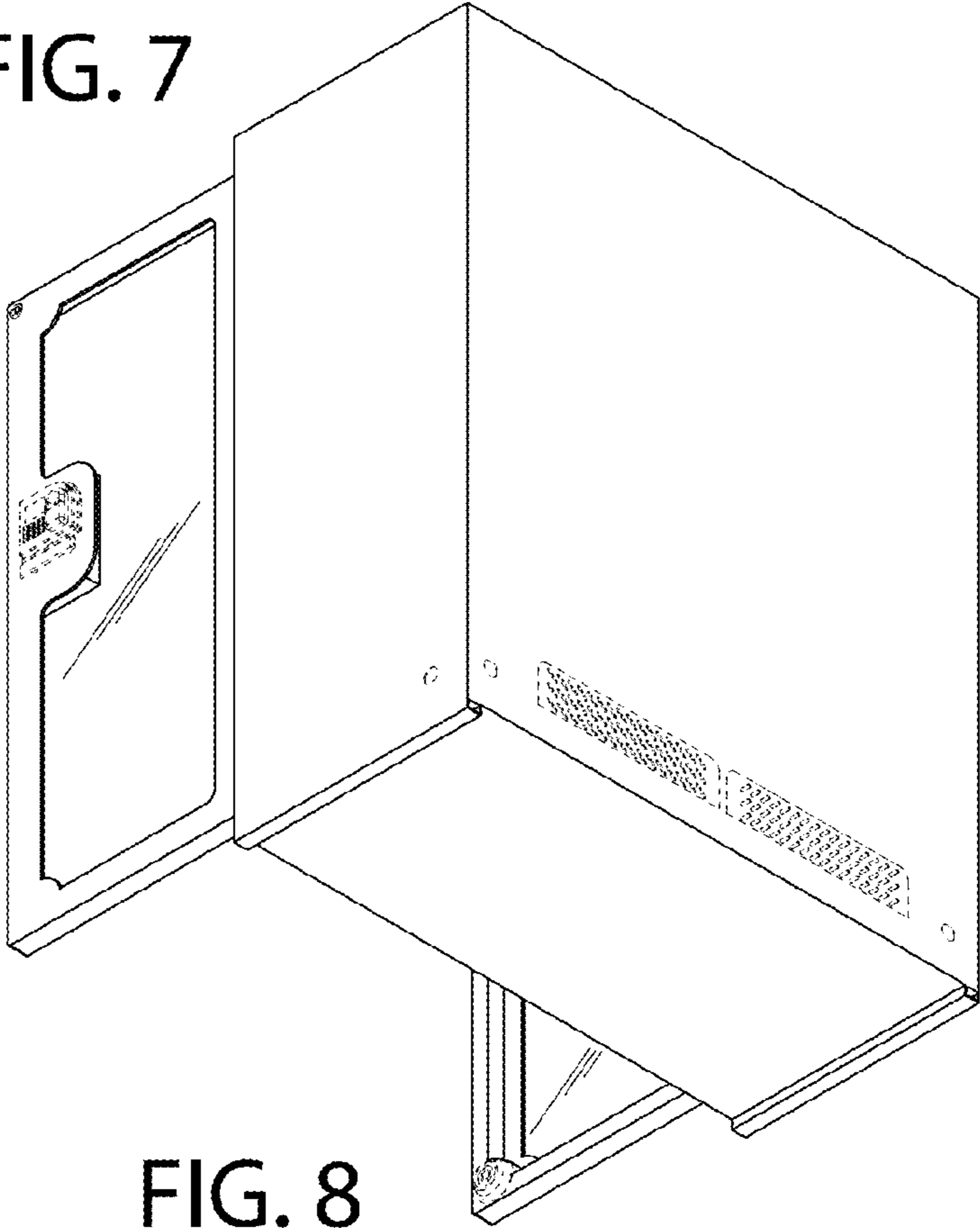


FIG. 8

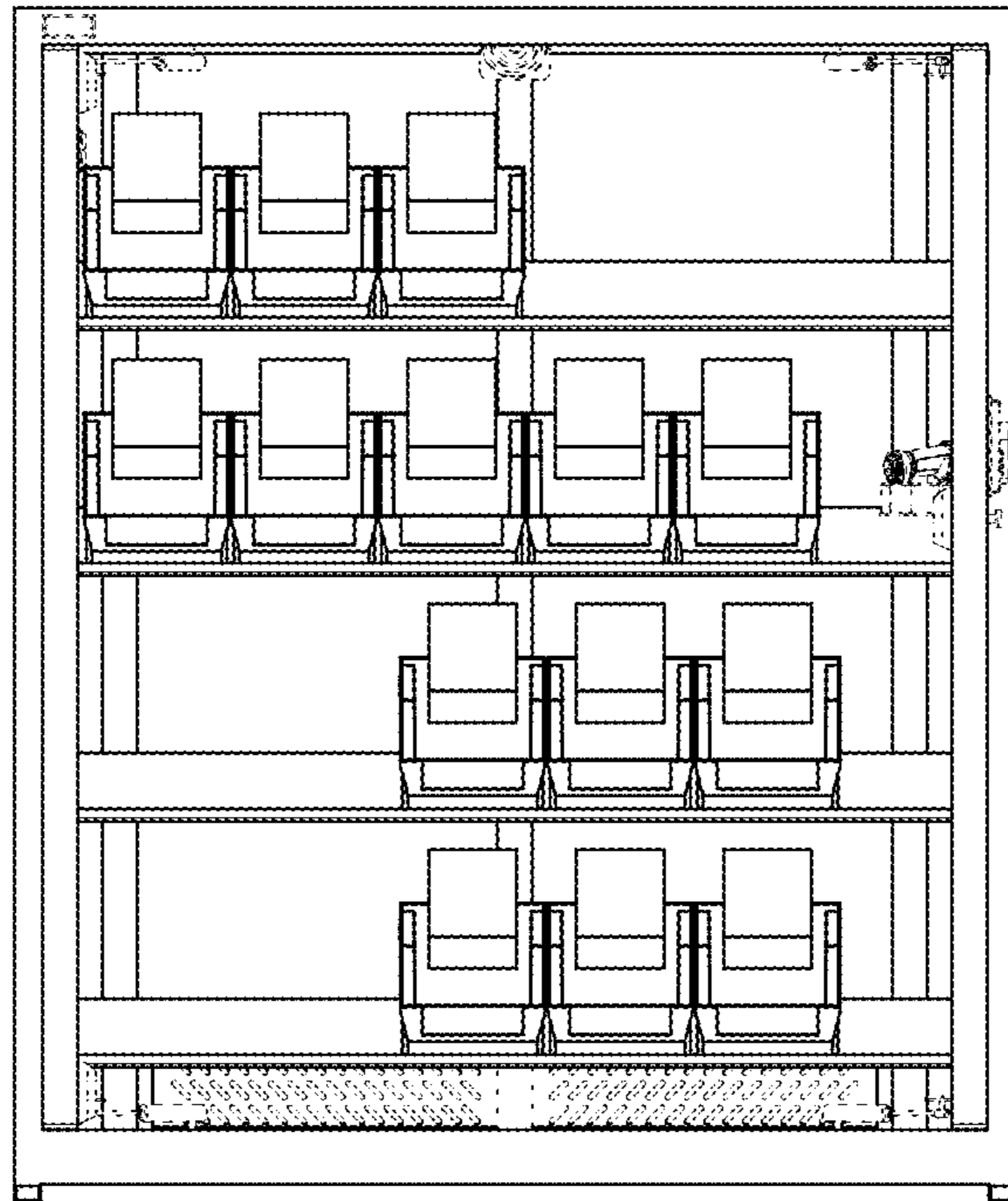


FIG. 9

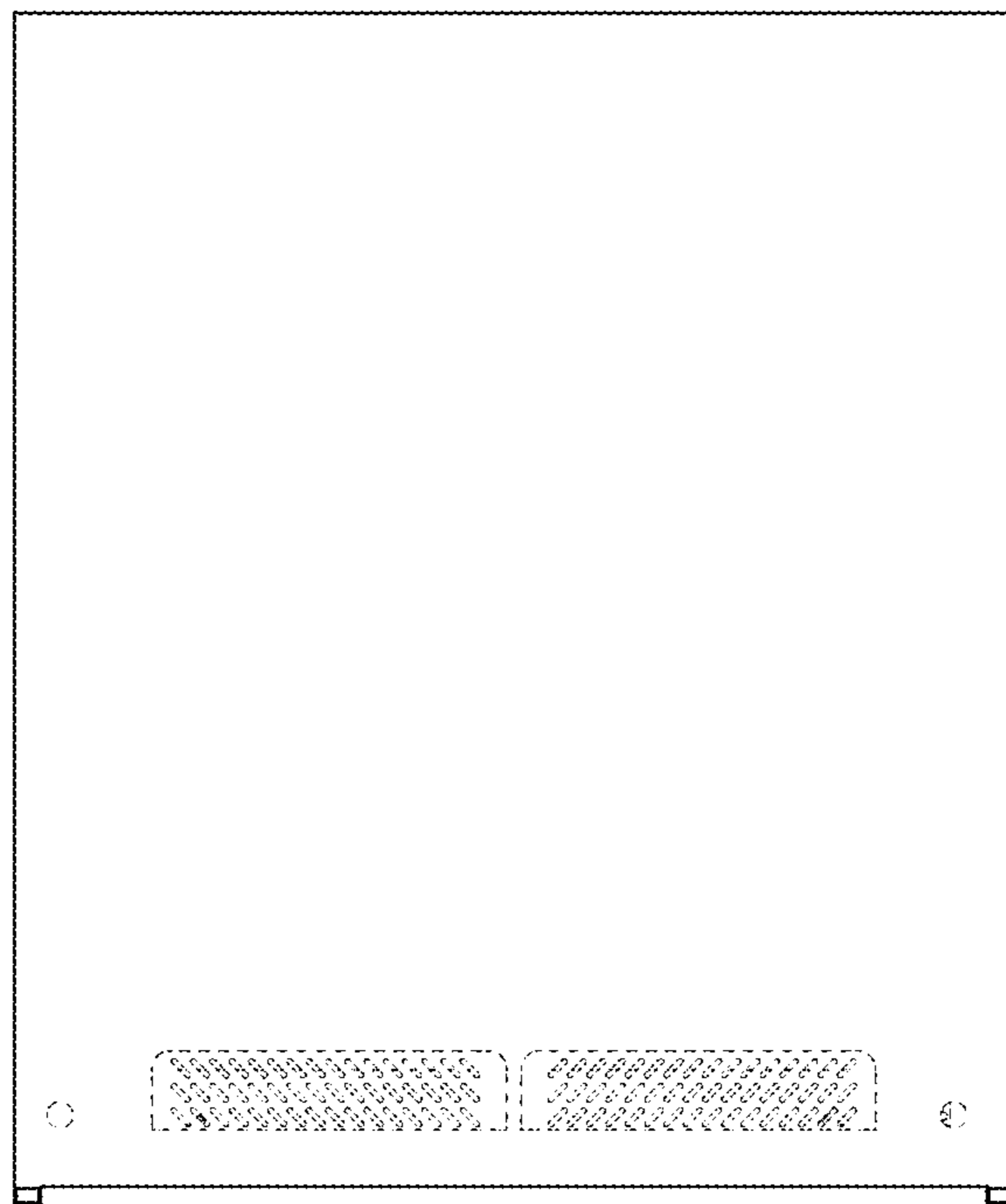


FIG. 10

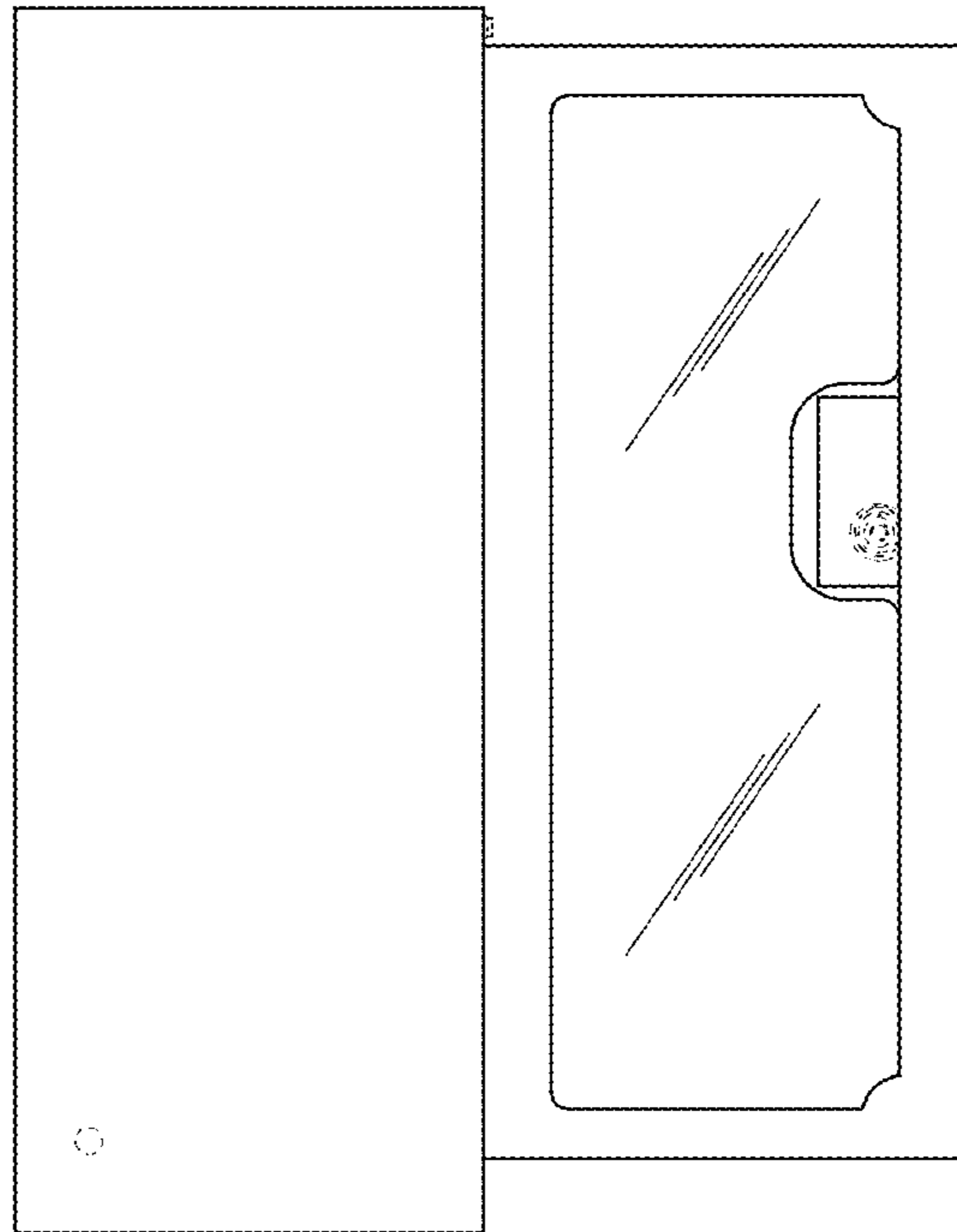


FIG. 11

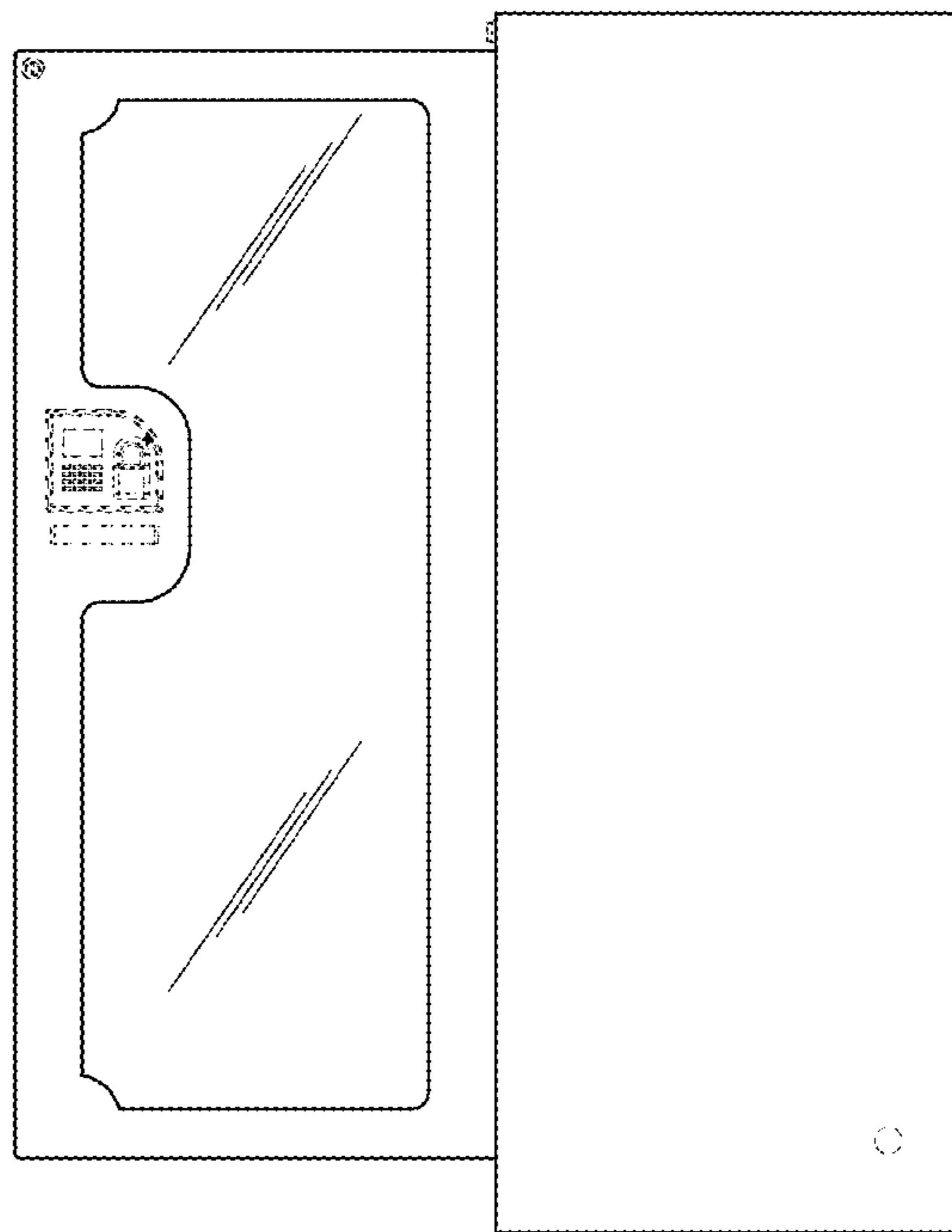


FIG. 12



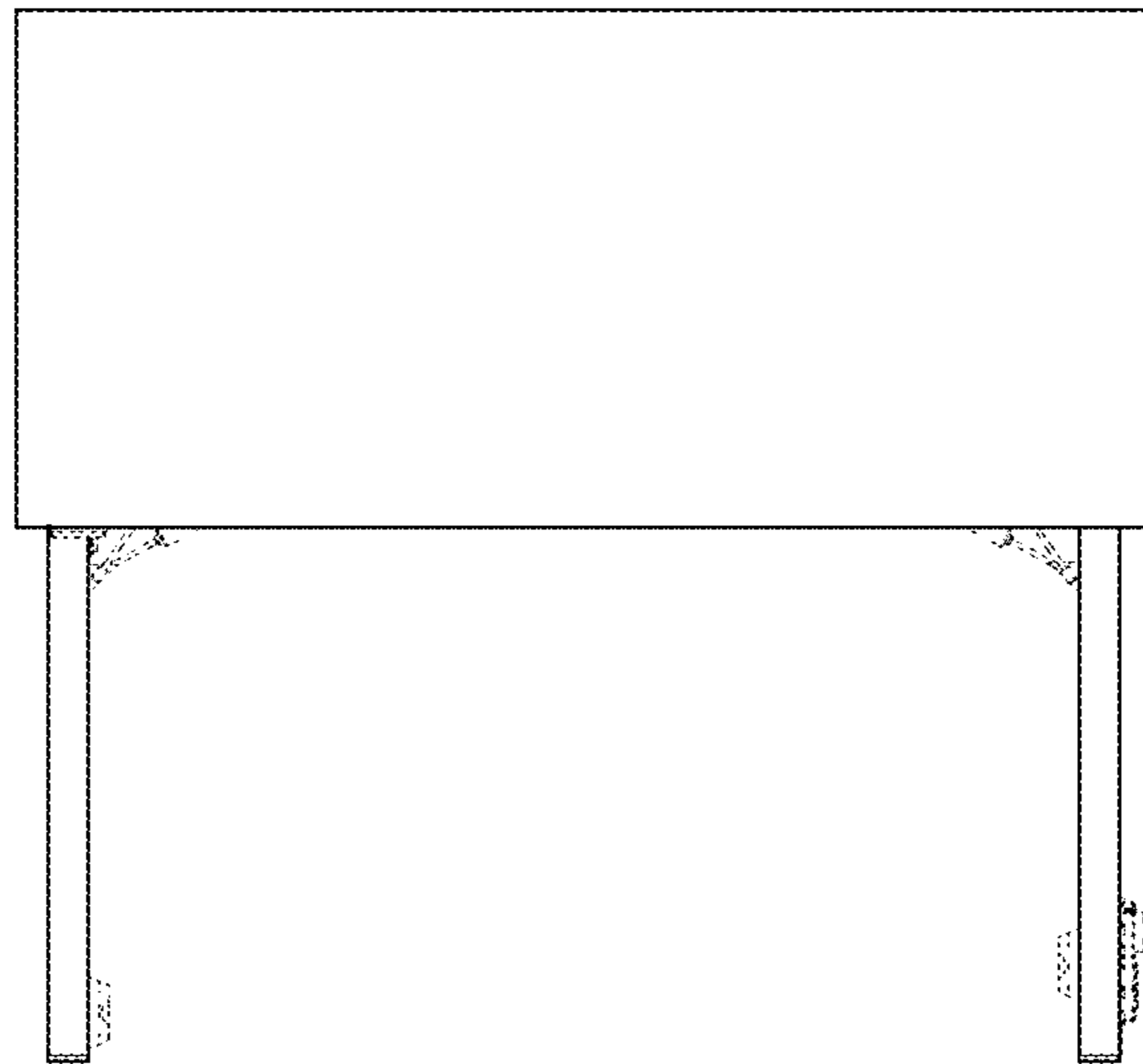


FIG. 13

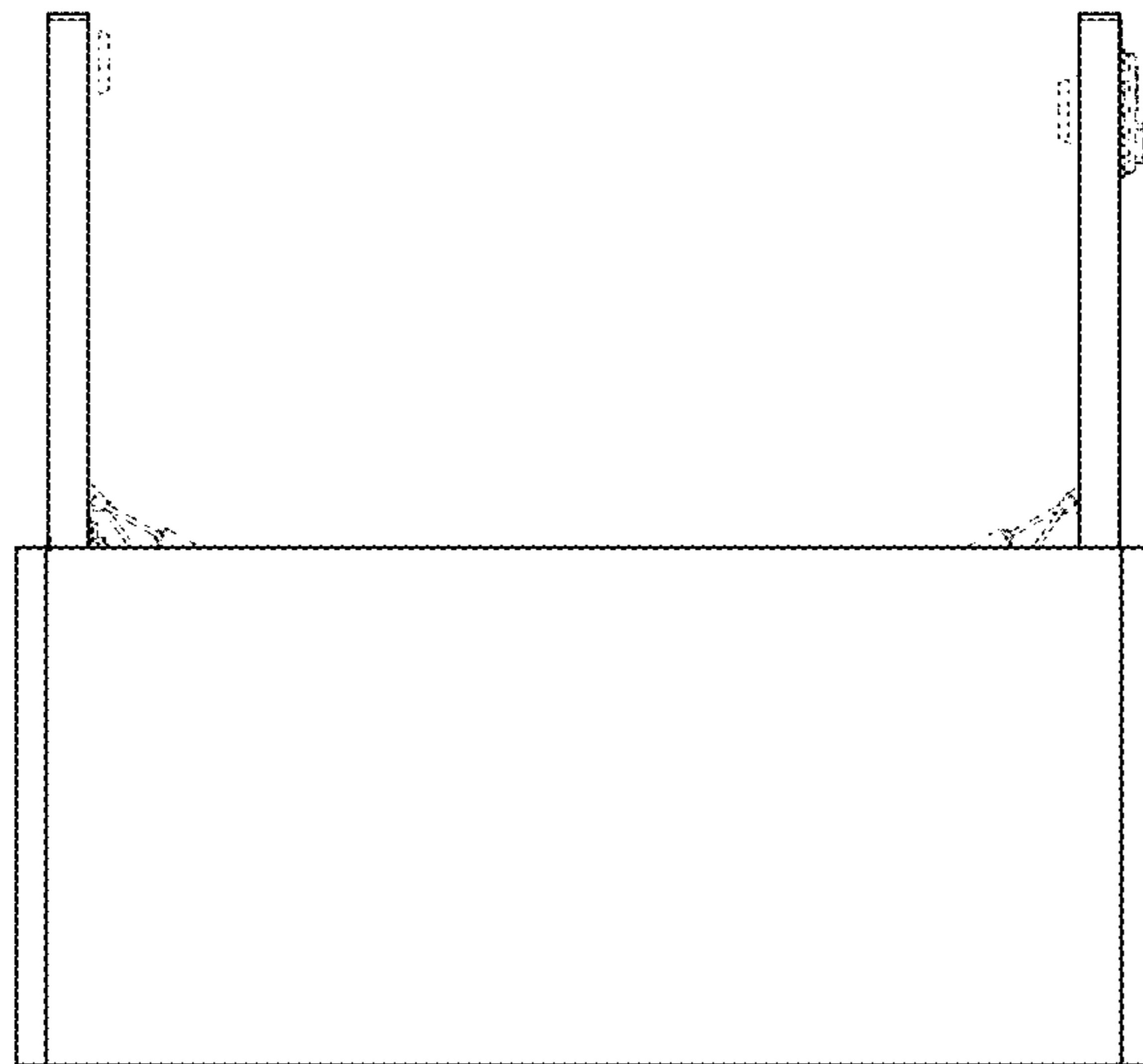


FIG. 14