



US00D894642S

(12) **United States Design Patent** (10) **Patent No.:** **US D894,642 S**
Chapman et al. (45) **Date of Patent:** **** Sep. 1, 2020**

- (54) **MODULAR SHELVING UNIT** 2,489,493 A * 11/1949 Kuenzie A47B 87/002
312/107
- (71) Applicant: **Older Adults Technology Services, Inc., Brooklyn, NY (US)** 3,879,096 A 4/1975 Blodee
3,971,605 A 7/1976 Sasnett
4,078,342 A 3/1978 Cohen
- (72) Inventors: **William Chapman, New York, NY (US); Alexander Glazebrook, Delamr, NY (US); Thomas Kamber, New York, NY (US); Kimberly Brennsteiner, New York, NY (US)** D282,986 S * 3/1986 Keller D6/664
D314,096 S * 1/1991 Bush D6/657
D316,641 S * 5/1991 Bush D6/661
D337,456 S * 7/1993 Short D6/660
D364,051 S * 11/1995 Berry, Jr. D6/662.1
D384,846 S 10/1997 Zaidman
D391,096 S 2/1998 Neufeld
D394,763 S * 6/1998 Zaidman D6/662.1
D409,015 S * 5/1999 Zaidman D6/718.14
D422,168 S * 4/2000 Bell, Jr. D6/384
D445,594 S * 7/2001 McClintock D6/662
- (73) Assignee: **Older Adults Technology Services, Inc., Brooklyn, NY (US)**

(**) Term: **15 Years**

(21) Appl. No.: **29/692,624**

(22) Filed: **May 28, 2019**

Related U.S. Application Data

(62) Division of application No. 29/597,726, filed on Mar. 20, 2017, now Pat. No. Des. 850,820.

(51) **LOC (12) Cl.** **06-04**

(52) **U.S. Cl.**
USPC **D6/662**

(58) **Field of Classification Search**
USPC D6/384, 642, 651.2, 653.1, 660, 661, D6/662, 662.1, 664, 671.1, 671.2, 672, D6/718.4; D23/286
CPC A47B 47/05; A47B 77/02; A47B 2230/15; E04H 1/005
See application file for complete search history.

(56) **References Cited**

U.S. PATENT DOCUMENTS

- 291,513 A * 1/1884 Hoffman A47B 57/265
108/107
- D31,611 S * 10/1899 Cohendos D6/671
- D144,029 S 3/1946 Broadbent

(Continued)
Primary Examiner — Kevin K Rudzinski
Assistant Examiner — Paul D Bohannon
(74) *Attorney, Agent, or Firm* — Arent Fox LLP

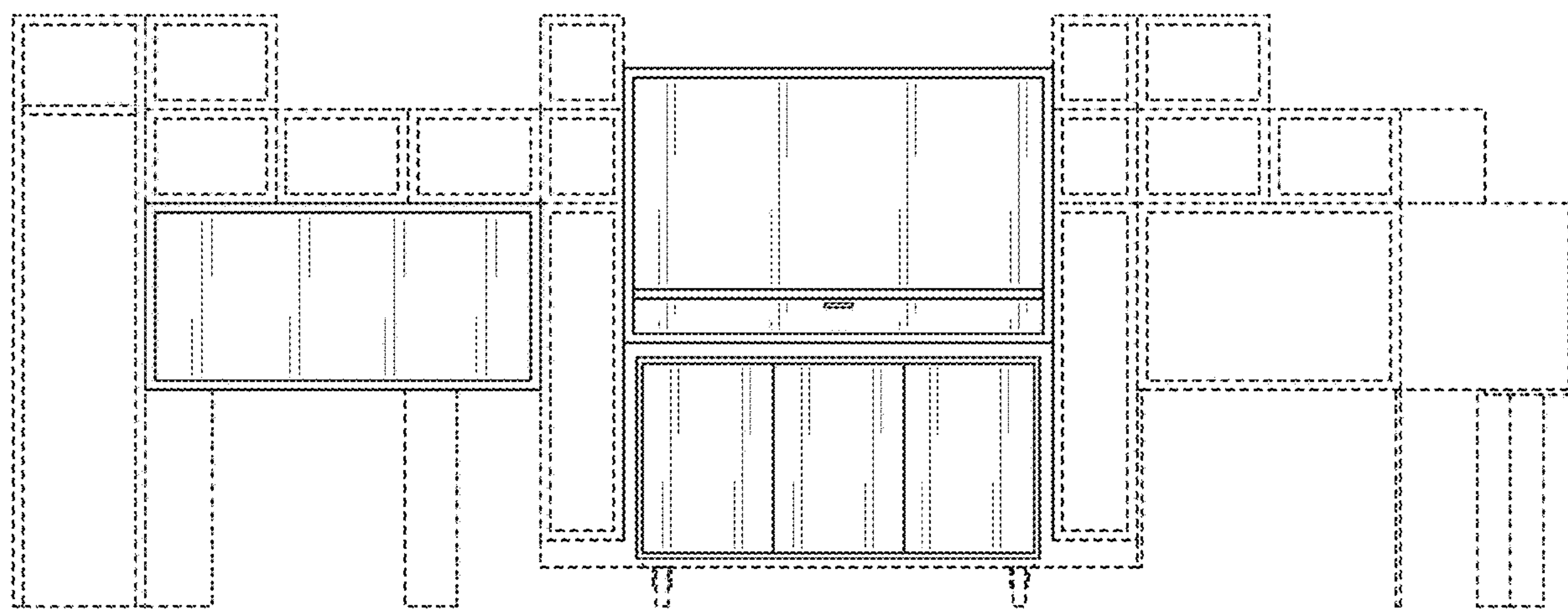
(57) **CLAIM**

The ornamental design for a modular shelving unit, as shown and described.

DESCRIPTION

FIG. 1 is front view of a modular shelving unit showing our new design;
FIG. 2 is left side view of the design shown in FIG. 1;
FIG. 3 is a right side view of the design shown in FIG. 1;
FIG. 4 is a front right perspective view of the design shown in FIG. 1;
FIG. 5 is a front left perspective view of the design shown in FIG. 1; and,
FIG. 6 is a top view of the design shown in FIG. 1.
The bottom and rear of the modular shelving unit forms no part of the claimed design. The broken lines shown in the figures are included for the purpose of illustrating portions of the modular shelving unit and form no part of the claimed design.

1 Claim, 6 Drawing Sheets



(56)

References Cited

U.S. PATENT DOCUMENTS

6,283,563 B1 *	9/2001	Lambright	A47B 45/00 312/203	D679,116 S	4/2013	Evangelidis	
D458,048 S	6/2002	Camfferman		D685,203 S *	7/2013	Johnson	D6/673
D464,503 S	10/2002	Novikoff		D686,437 S	7/2013	Johnson	
D476,503 S *	7/2003	Chesser	D6/641	8,517,267 B2 *	8/2013	Reynolds	G06Q 30/02 235/385
D478,433 S	8/2003	Woods		8,534,774 B1 *	9/2013	Chang	A47B 47/042 312/111
D481,883 S *	11/2003	Richardson	D6/673	D734,071 S *	7/2015	Zhao	D6/671.1
D487,853 S *	3/2004	Woods	D6/662	D782,015 S *	3/2017	Mattoni	D23/272
D568,631 S *	5/2008	Martin	D6/657	D801,728 S	11/2017	Reyes	
D573,368 S *	7/2008	Ton	D6/662.1	D807,085 S	1/2018	Vandenham	
D576,421 S	9/2008	Grabowski		D820,010 S	6/2018	Reyes	
D587,033 S *	2/2009	Martin	D6/657	D821,118 S	6/2018	Chiao	
D587,034 S *	2/2009	Martin	D6/657	D848,183 S *	5/2019	Campbell	D6/662.1
D591,979 S	5/2009	Singler		D848,184 S *	5/2019	Campbell	D6/662.1
D602,282 S	10/2009	Lulloff		D850,820 S *	6/2019	Chapman	D6/662
D641,987 S *	7/2011	Giroux	D6/675	D856,053 S *	8/2019	Reyes	D6/703
D641,988 S	7/2011	Giroux		D864,624 S *	10/2019	Vandenham	D6/671.1
				D865,411 S *	11/2019	Vandenham	D6/671.1

* cited by examiner

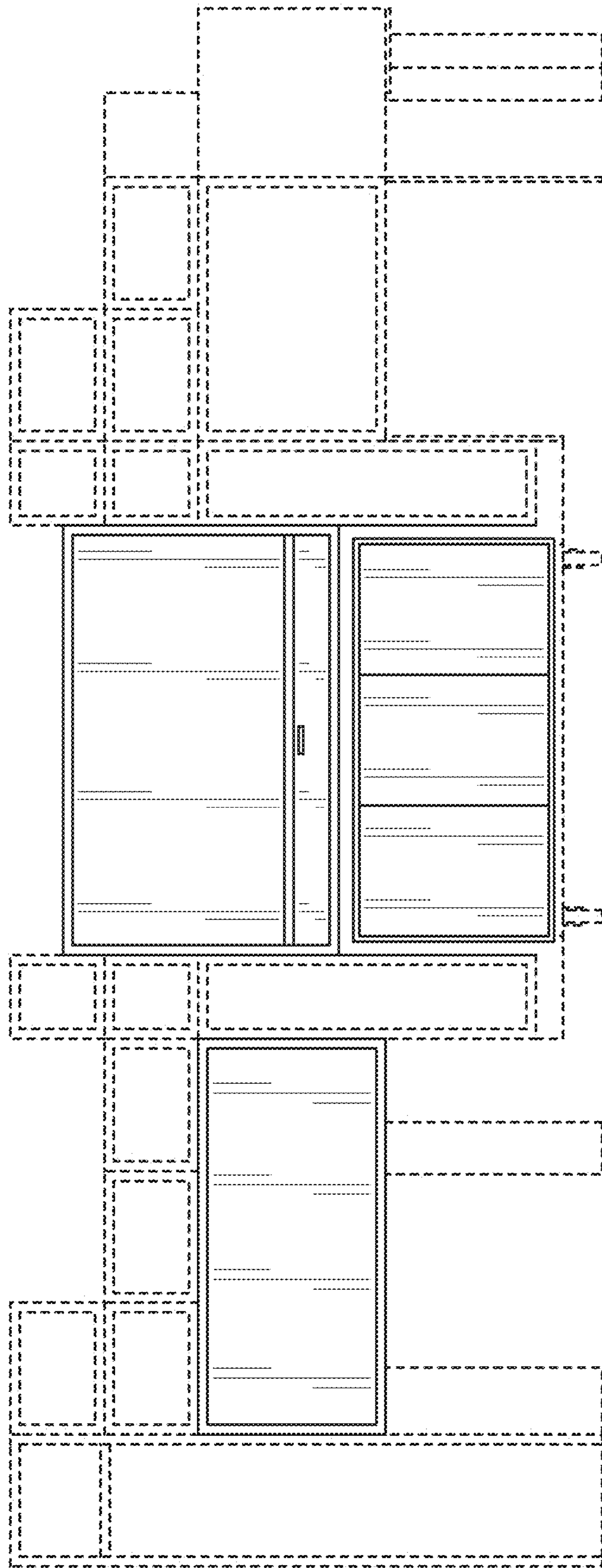


FIG. 1

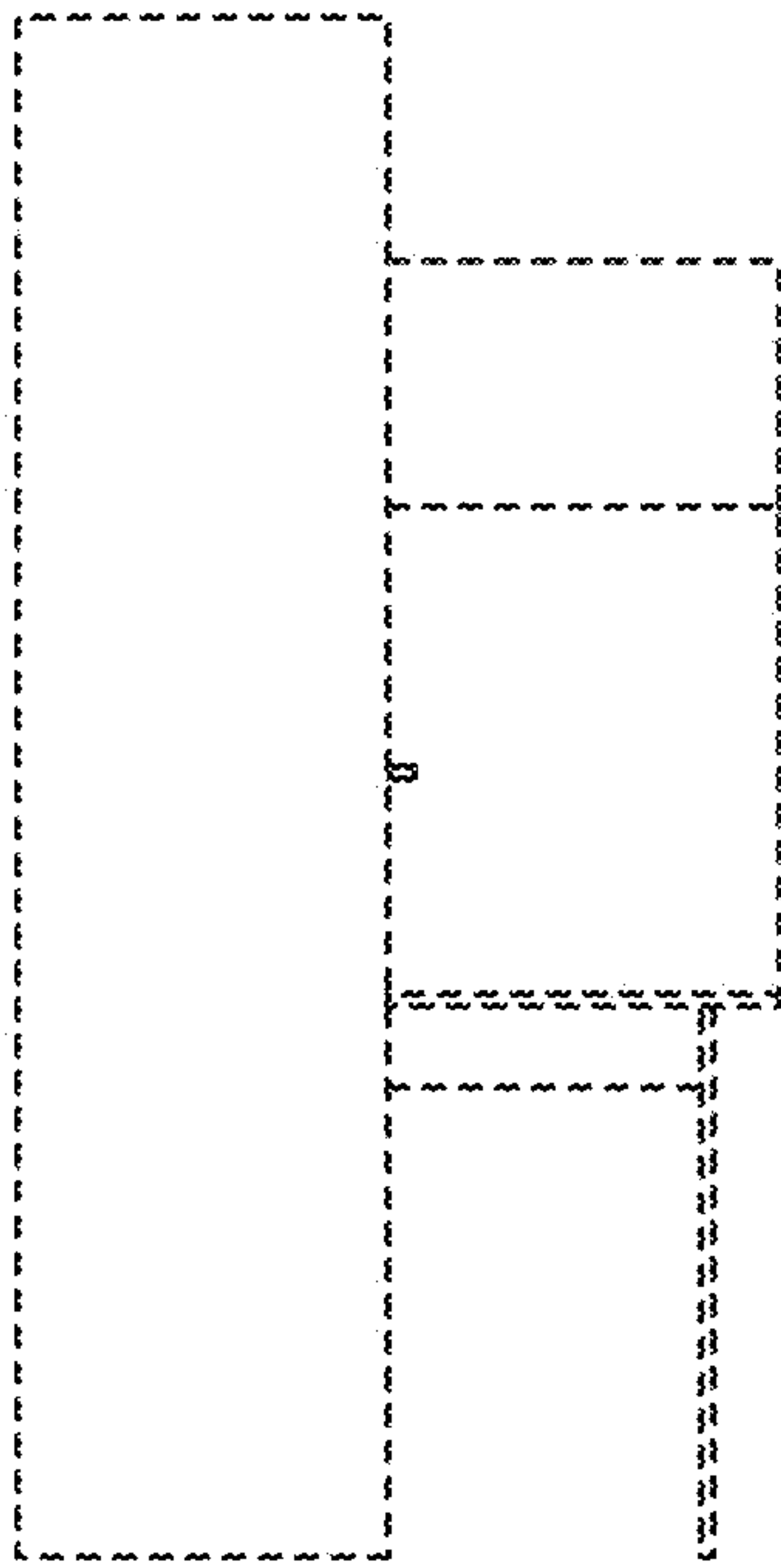


FIG. 2

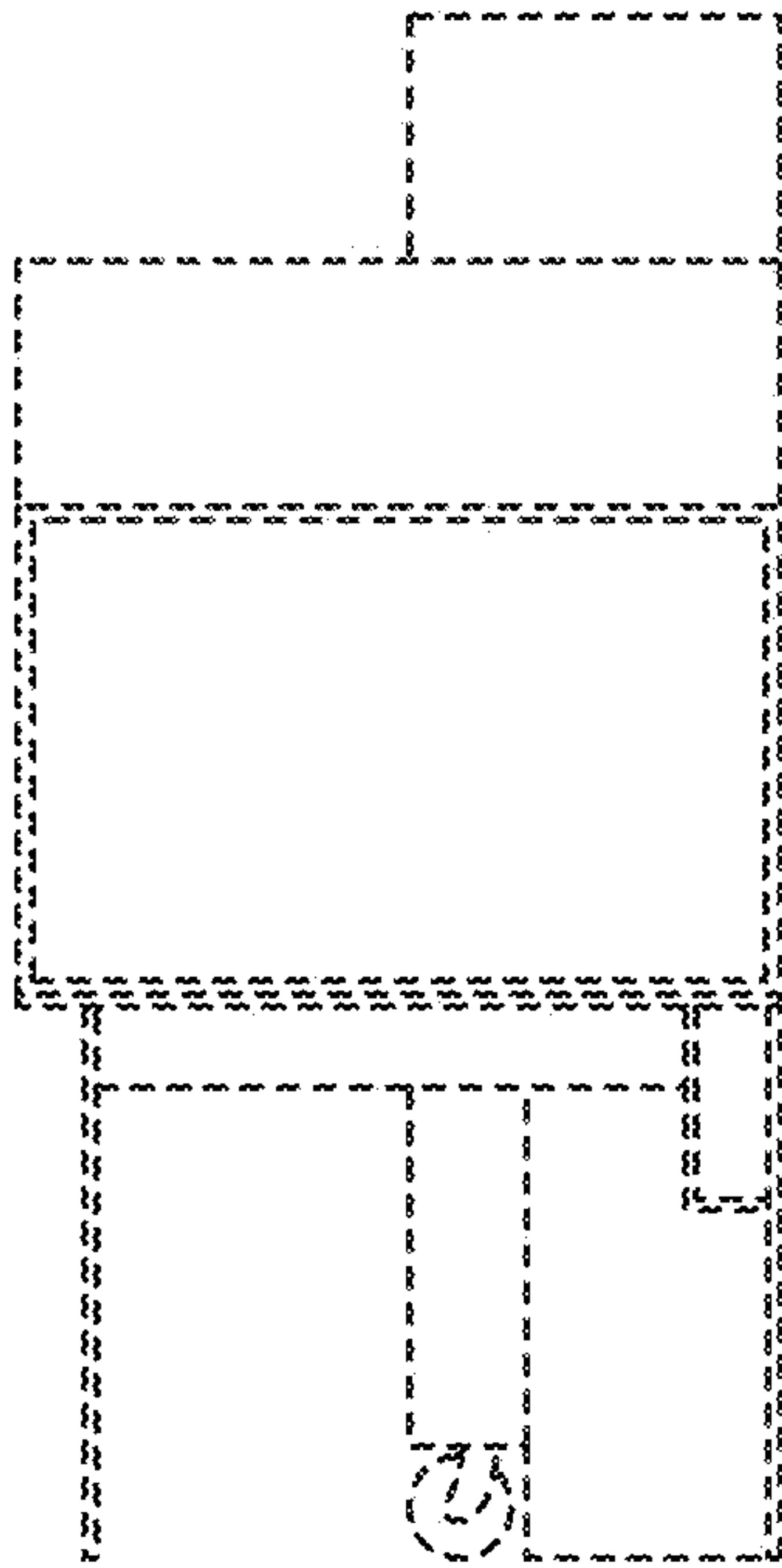


FIG. 3

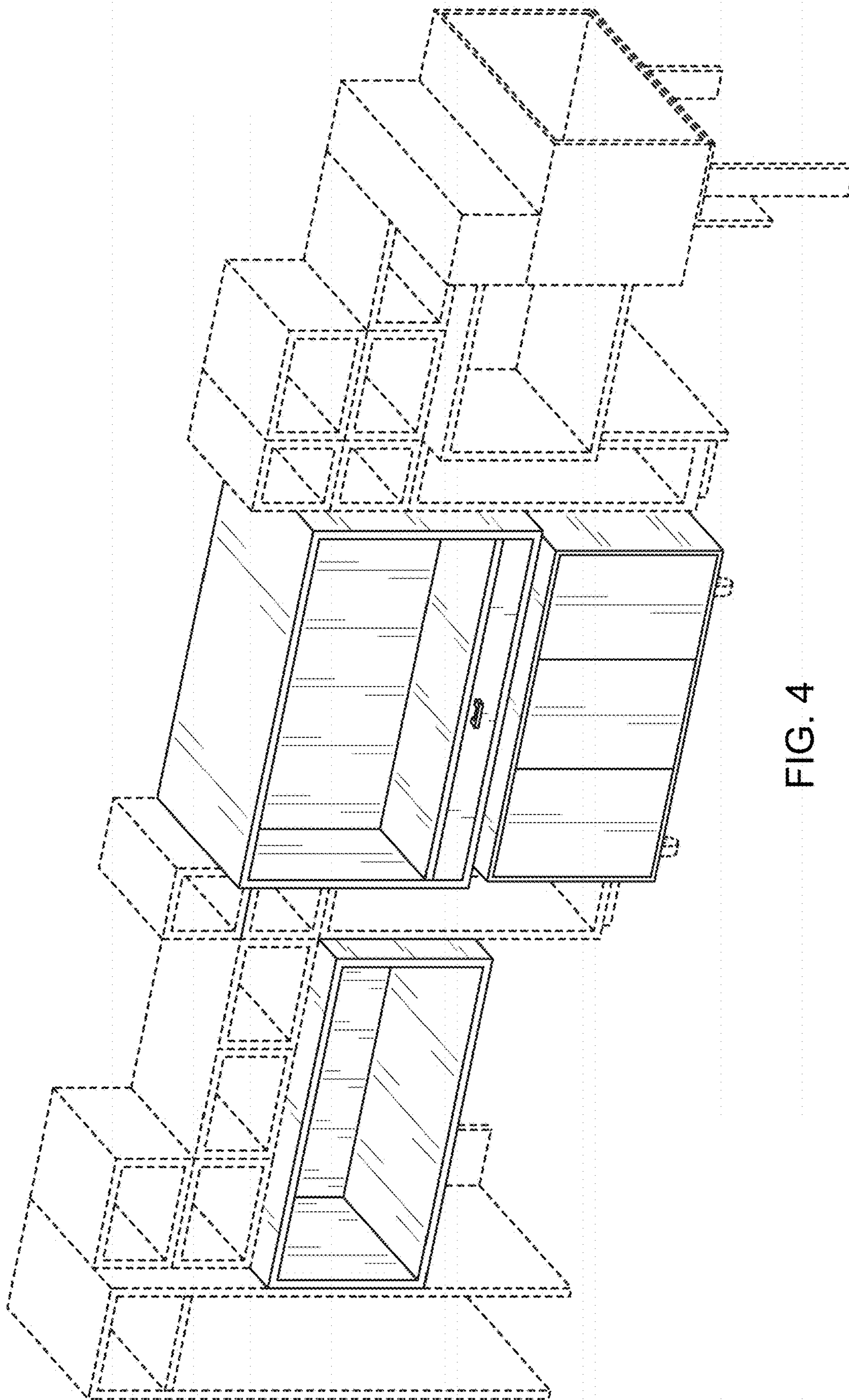


FIG. 4

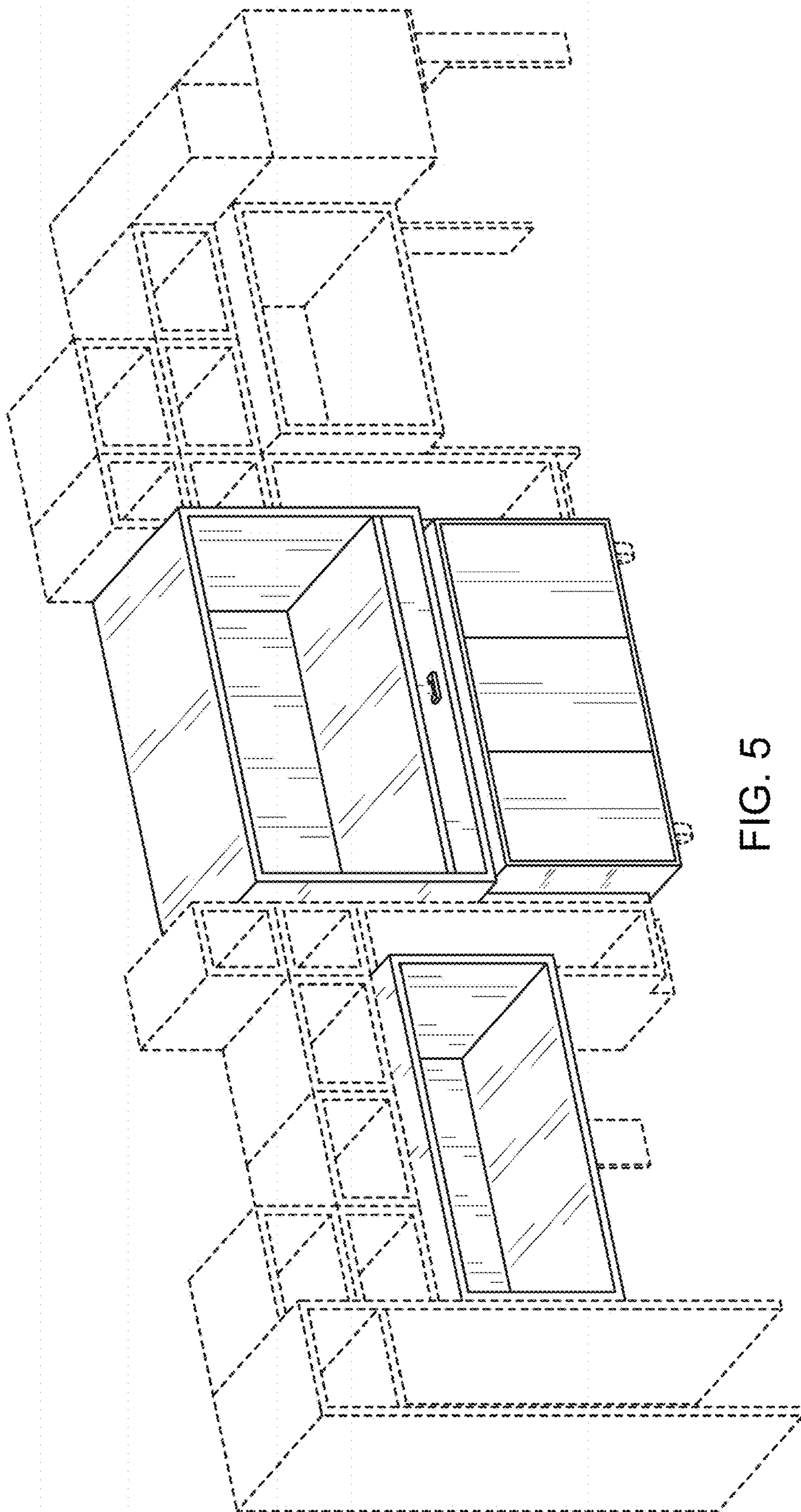


FIG. 5

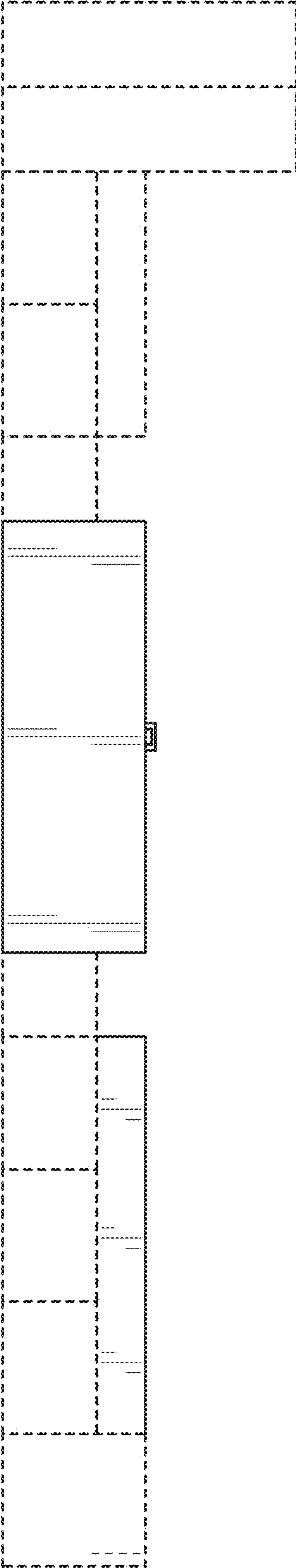


FIG. 6