



US00D894639S

(12) **United States Design Patent** (10) **Patent No.:** **US D894,639 S**
Hu (45) **Date of Patent:** **** Sep. 1, 2020**

(54) **GAMING DESK WITH Z SHAPED LEGS**

(71) Applicant: **Yajun Hu**, El Dorado Hills, CA (US)

(72) Inventor: **Yajun Hu**, El Dorado Hills, CA (US)

(73) Assignees: **Yajun Hu**, El Dorado Hills, CA (US);
EUREKA LLC., El Dorado Hills, CA (US)

(**) Term: **15 Years**

(21) Appl. No.: **29/688,837**

(22) Filed: **Apr. 24, 2019**

(51) **LOC (12) Cl.** **06-03**

(52) **U.S. Cl.**
USPC **D6/656.11; D6/656.16**

(58) **Field of Classification Search**

USPC D6/640, 641, 642, 643, 643.1, 644, 645,
D6/648, 648.1, 648.3, 648.4, 649, 650,
D6/651, 652, 654, 654.1, 655, 655.1,
D6/655.11, 655.12, 655.13, 655.14,
D6/655.15, 655.16, 656, 656.1, 656.11,
D6/656.16, 656.17, 656.18, 656.19, 668,
D6/685, 688.11, 688.21, 688.27, 690,
D6/695, 698, 691, 691.6, 696.1, 700, 707,
D6/707.19, 707.24, 707.26, 708, 708.2,
D6/708.21, 708.23, 709.22
CPC A47B 9/00; A47B 9/04; A47B 9/06; A47B
3/08; A47B 21/00; A47B 21/02; A47B
21/06; A47B 21/007; A47B 21/0314;
A47B 2009/185; A47B 2200/0013; A47B
2200/0026; A47B 2200/0085; A47B
2200/0087

See application file for complete search history.

(56) **References Cited**

U.S. PATENT DOCUMENTS

D325,833 S * 5/1992 Saotome D6/656.16
D449,470 S * 10/2001 Morrow D6/656.18

D478,225 S 8/2003 Wang
D499,273 S 12/2004 Chang
D499,576 S 12/2004 Long
D526,812 S 8/2006 Chen
D547,970 S 8/2007 Chou
D549,009 S 8/2007 Lin
D552,885 S * 10/2007 Saotome D6/656
D671,339 S * 11/2012 Nakamura D6/691
9,591,919 B2 3/2017 Ergun et al.
9,635,932 B2 5/2017 Kelley et al.
D819,371 S * 6/2018 Cao D6/656.16
D861,381 S * 10/2019 Hu D6/656.11
D861,383 S * 10/2019 Hu D6/656.17
D862,128 S * 10/2019 Hu D6/656.11

(Continued)

OTHER PUBLICATIONS

Eureka Ergonomic Z1S-Pro Gaming Desk, posted at amazon.com, posted on Aug. 12, 2019, site visited May 14, 2020. online, available from internet: <https://www.amazon.com/ERGONOMIC-Z1S-PRO-Computer-Headphone-Boyfriend/dp/B07SJSJDV> (Year: 2019).*

Primary Examiner — Mary Ann Calabrese

Assistant Examiner — Catherine Ho

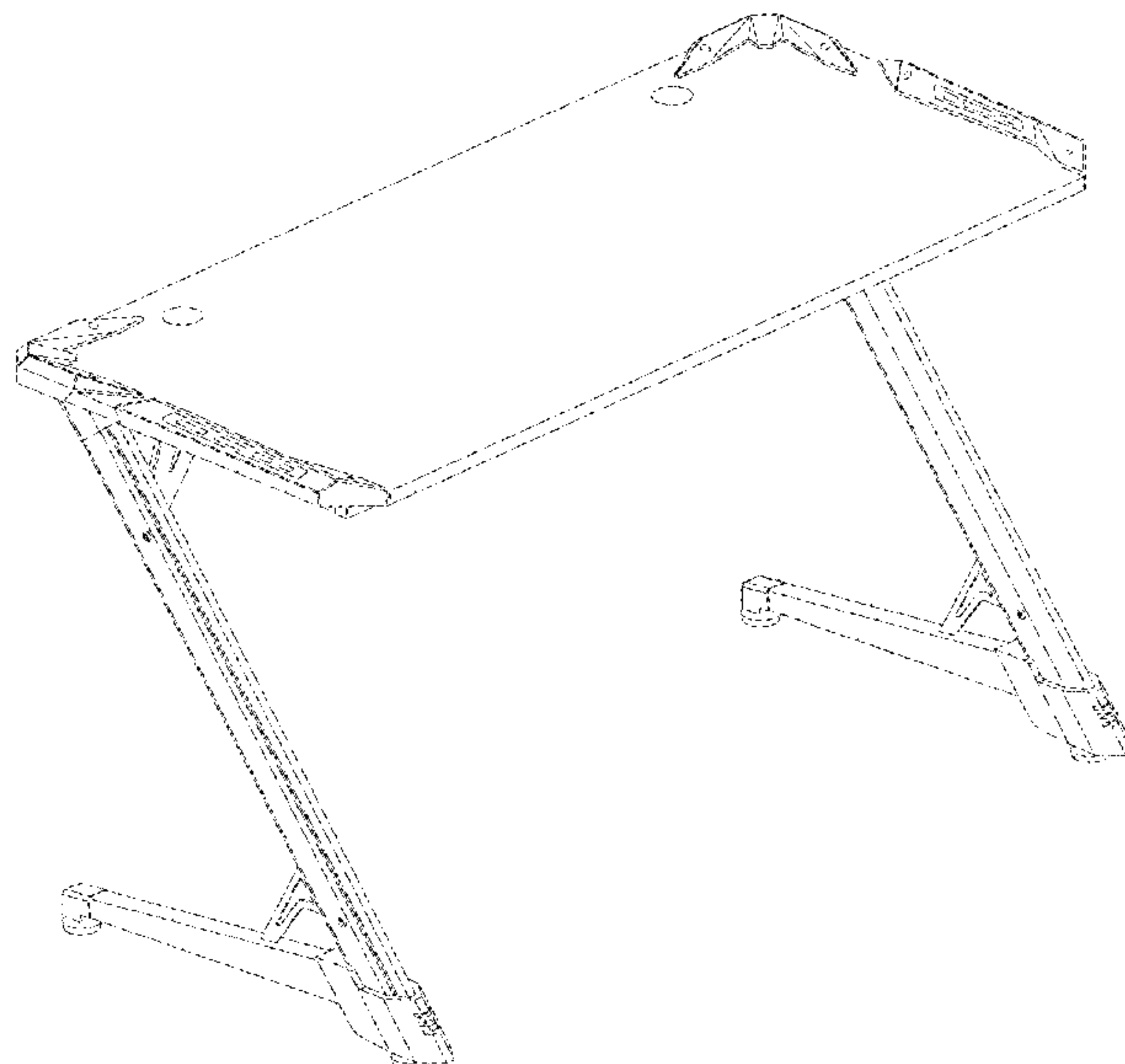
(57) **CLAIM**

I claim the ornamental design for a gaming desk with Z shaped legs, as shown and described.

DESCRIPTION

FIG. 1 is a front perspective view of a gaming desk with Z shaped legs, showing my new design;
FIG. 2 is a back perspective view thereof;
FIG. 3 is a front view thereof;
FIG. 4 is a bottom view thereof;
FIG. 5 is a top view thereof;
FIG. 6 is a rear side view thereof;
FIG. 7 is a left side view thereof; and,
FIG. 8 is a right side view thereof.

1 Claim, 8 Drawing Sheets



(56)

References Cited

U.S. PATENT DOCUMENTS

D865,405 S *	11/2019	Hu	D6/656.16
D875,441 S *	2/2020	Duan	D6/655.18
D878,815 S *	3/2020	Peng	D6/656
D882,988 S *	5/2020	Hu	D6/656.17
2018/0206630 A1 *	7/2018	Chang	A47B 9/00

* cited by examiner

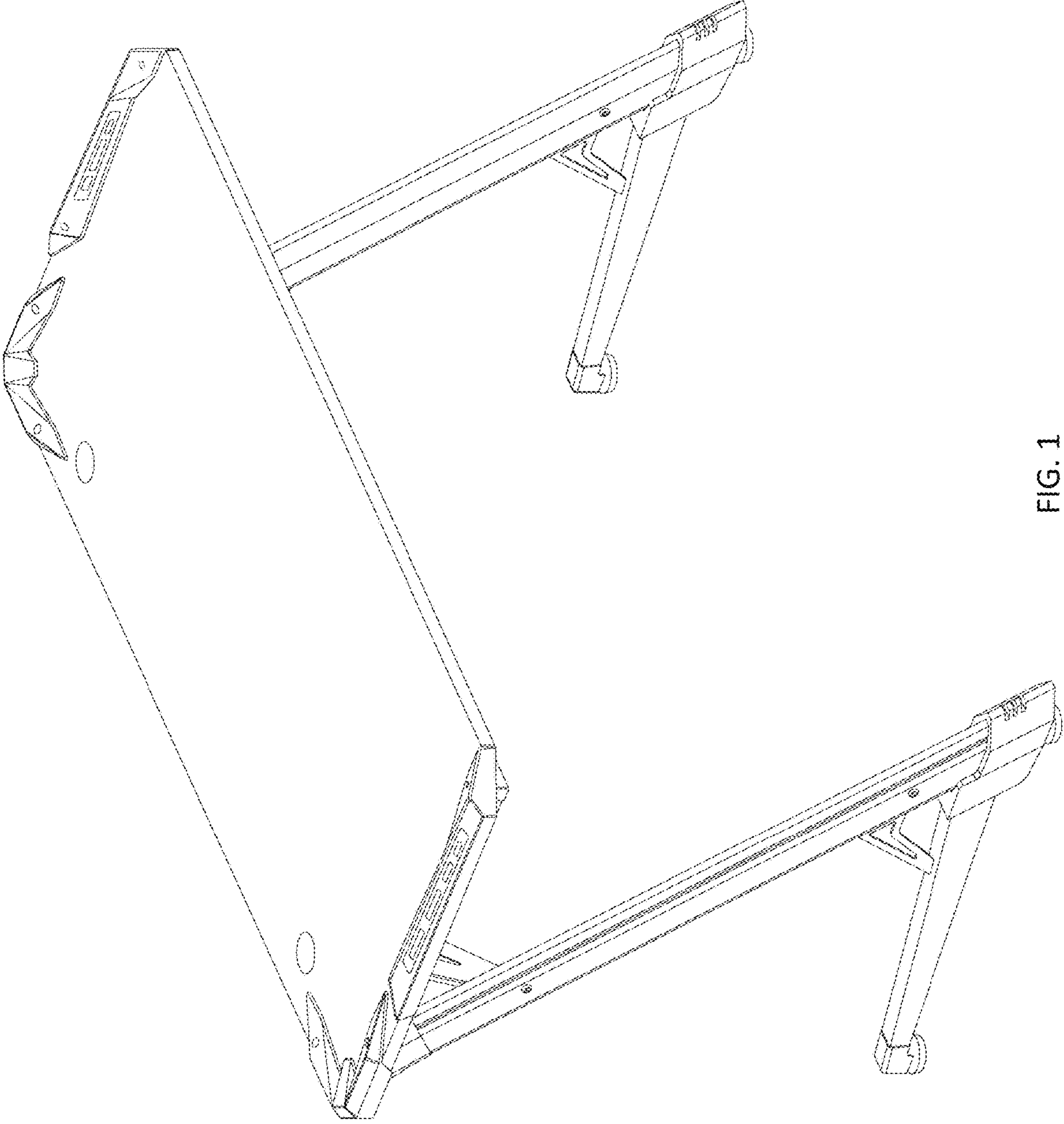


FIG. 1

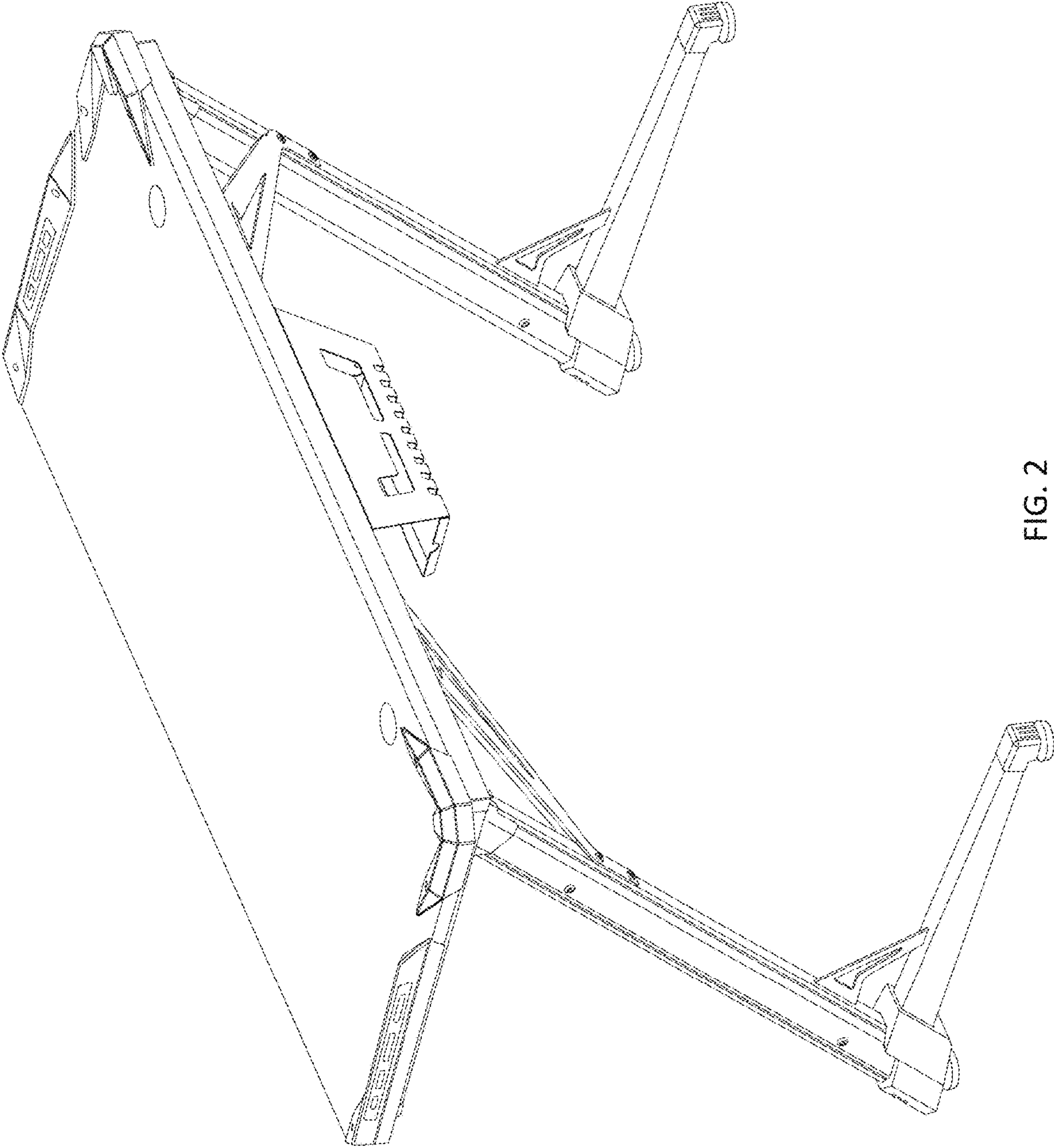


FIG. 2

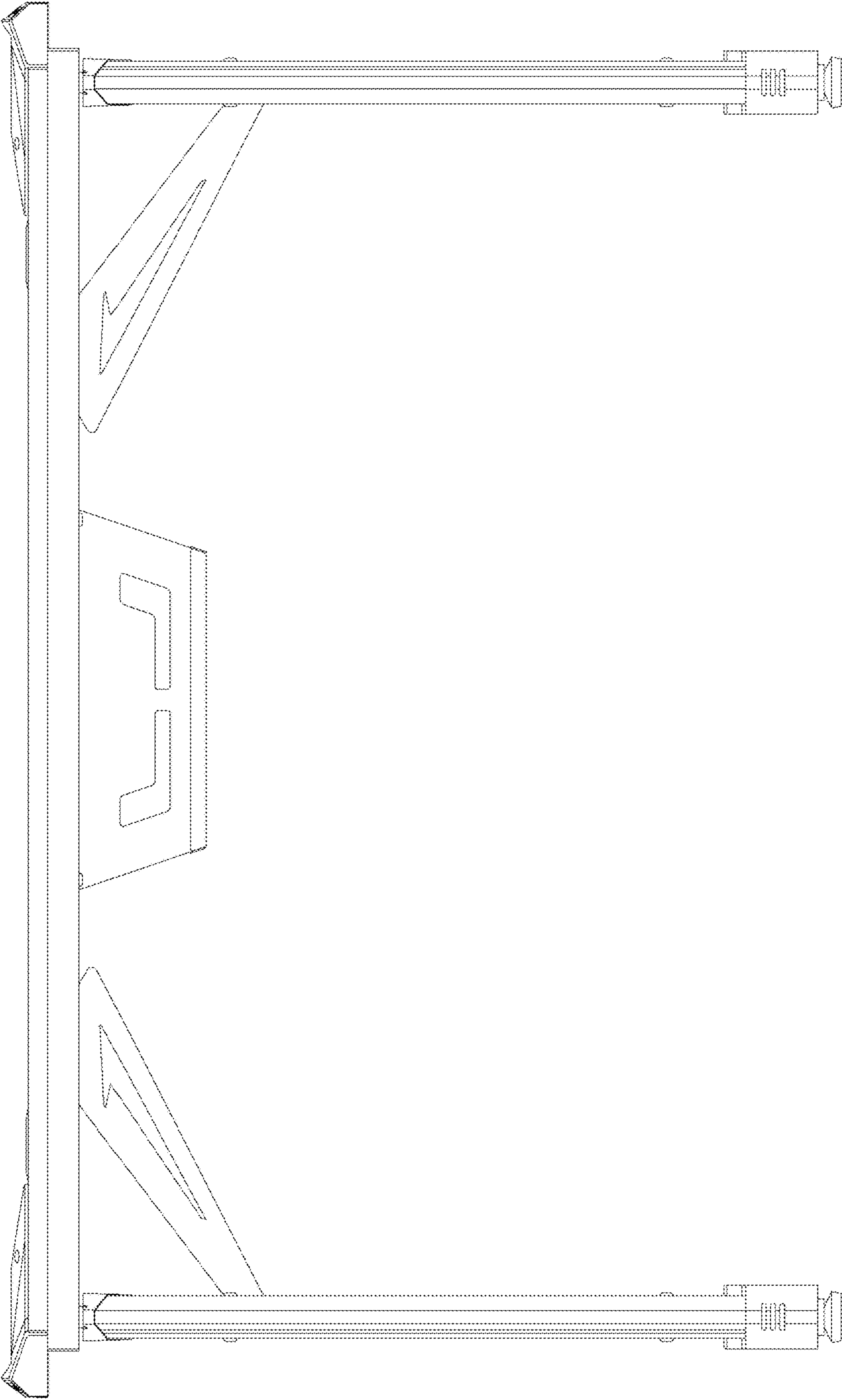


FIG. 3

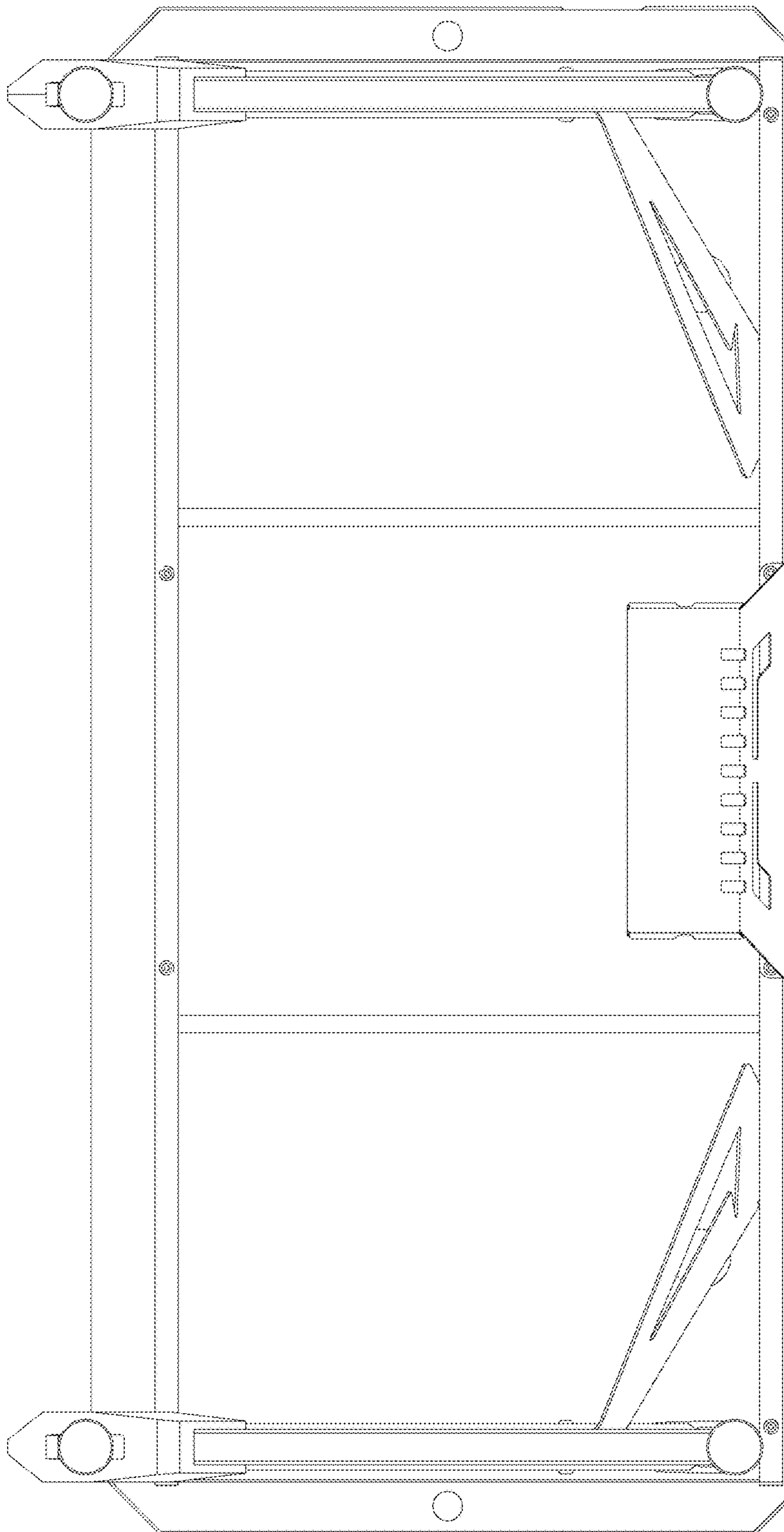


FIG. 4



FIG. 5

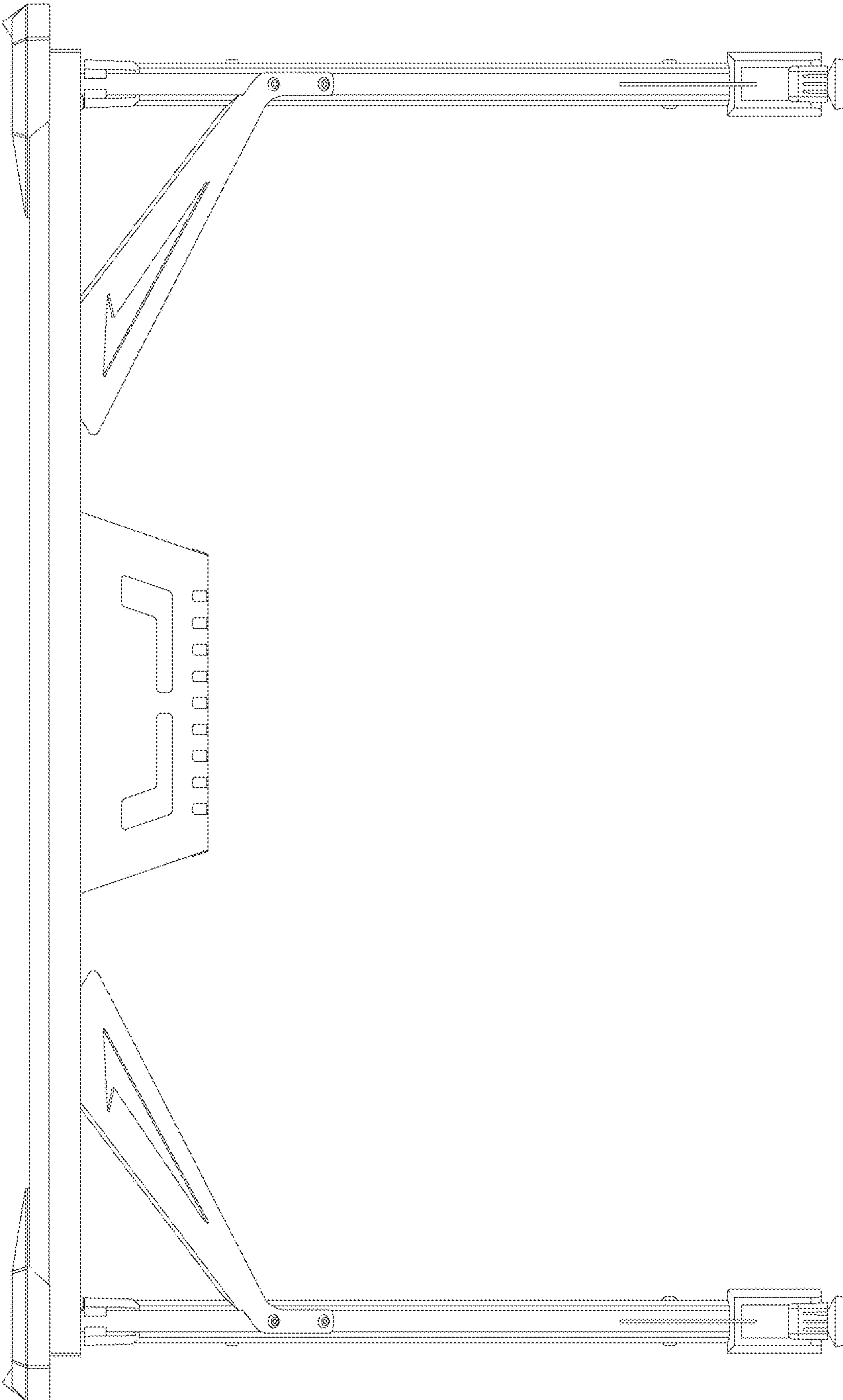


FIG. 6

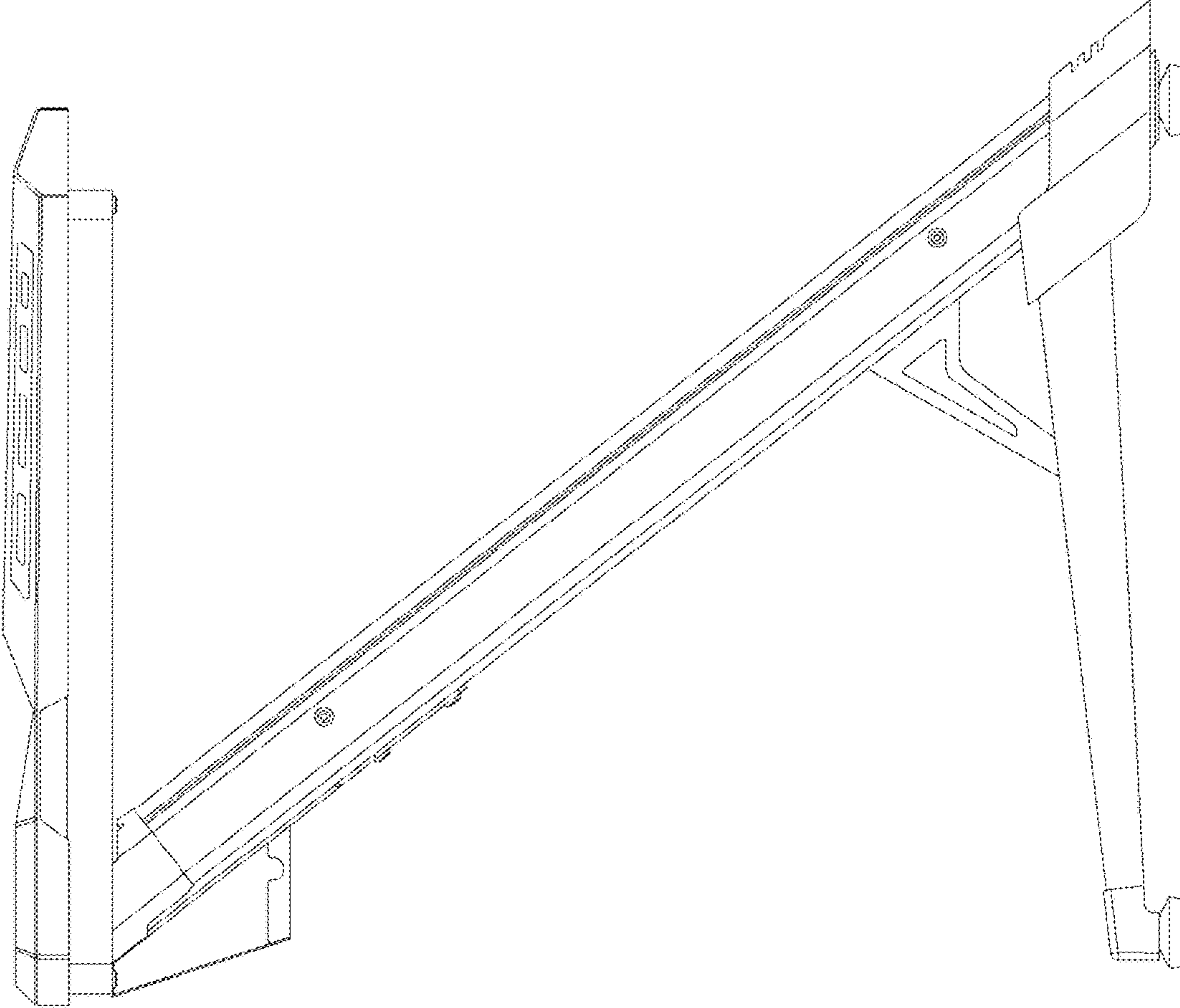


FIG. 7

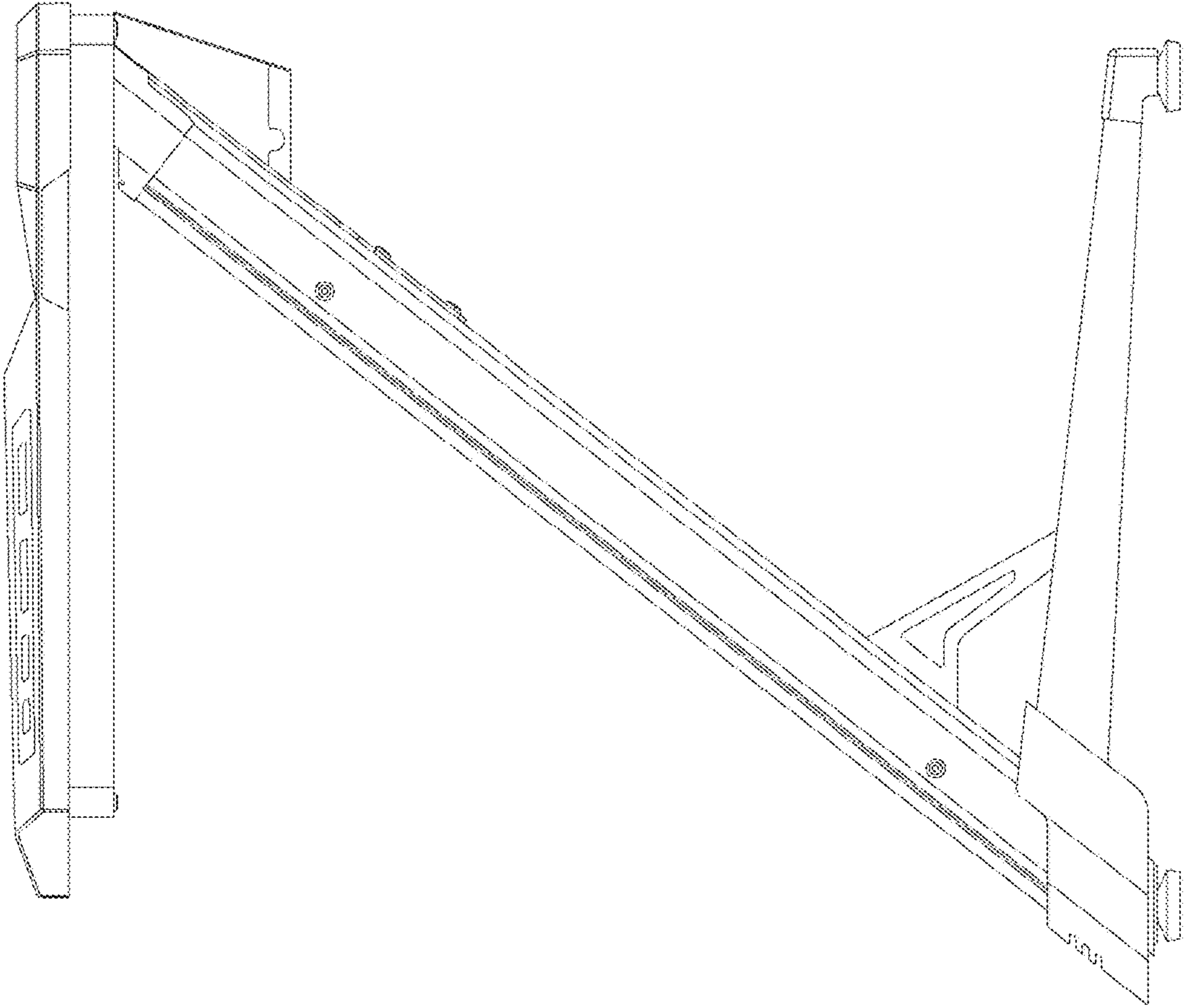


FIG. 8