

US00D894633S

(12) **United States Design Patent** (10) **Patent No.:** **US D894,633 S**  
**Johnson et al.** (45) **Date of Patent:** **\*\* Sep. 1, 2020**

(54) **DISPLAY UNIT**  
 (71) Applicant: **Target Brands, Inc.**, Minneapolis, MN (US)  
 (72) Inventors: **Jason W. Johnson**, Wayzata, MN (US);  
**Blake M. Johnson**, St. Paul, MN (US)  
 (73) Assignee: **Target Brands, Inc.**, Minneapolis, MN (US)

(\*\*) Term: **15 Years**  
 (21) Appl. No.: **29/679,060**

(22) Filed: **Feb. 1, 2019**  
 (51) **LOC (12) Cl.** ..... **06-04**  
 (52) **U.S. Cl.**  
 USPC ..... **D6/569**  
 (58) **Field of Classification Search**  
 USPC ..... D6/569, 552, 553, 567, 572, 574, 683.1,  
 D6/678.1, 682.4; D7/590; D8/349;  
 108/59, 91-92, 108, 181; 211/13.1, 59.4,  
 211/69, 71.01, 74, 75, 86.01, 87.01,  
 211/88.01, 90.01, 126.1, 134, 59.2, 88.03;  
 312/107, 114  
 CPC ..... A47F 5/0043; A47F 11/06; A47F 1/12;  
 A47F 3/001; A47F 5/0018; A47F 7/28;  
 A47F 5/103; A47F 7/283; G09F 3/204  
 See application file for complete search history.

(56) **References Cited**  
 U.S. PATENT DOCUMENTS

D369,710 S \* 5/1996 Picard ..... D6/514  
 D598,227 S \* 8/2009 Oakes ..... D6/553

D670,103 S 11/2012 Johnson et al.  
 D680,353 S \* 4/2013 Hawkins ..... D6/682.4  
 8,789,712 B2 7/2014 Johnson et al.  
 D845,029 S \* 4/2019 Belokin ..... D6/569  
 D869,877 S \* 12/2019 Brenner ..... D6/569  
 D884,397 S \* 5/2020 Stafford ..... D6/678.1  
 2006/0043038 A1 \* 3/2006 Wetzel ..... A47G 7/044  
 211/88.03  
 2014/0001131 A1 \* 1/2014 Johnson ..... A47F 5/0025  
 211/59.2

\* cited by examiner

*Primary Examiner* — Wan Laymon  
*Assistant Examiner* — Mark Booker  
 (74) *Attorney, Agent, or Firm* — Leanne Taveggia Farrell;  
 Westman, Champlin & Koehler, P.A.

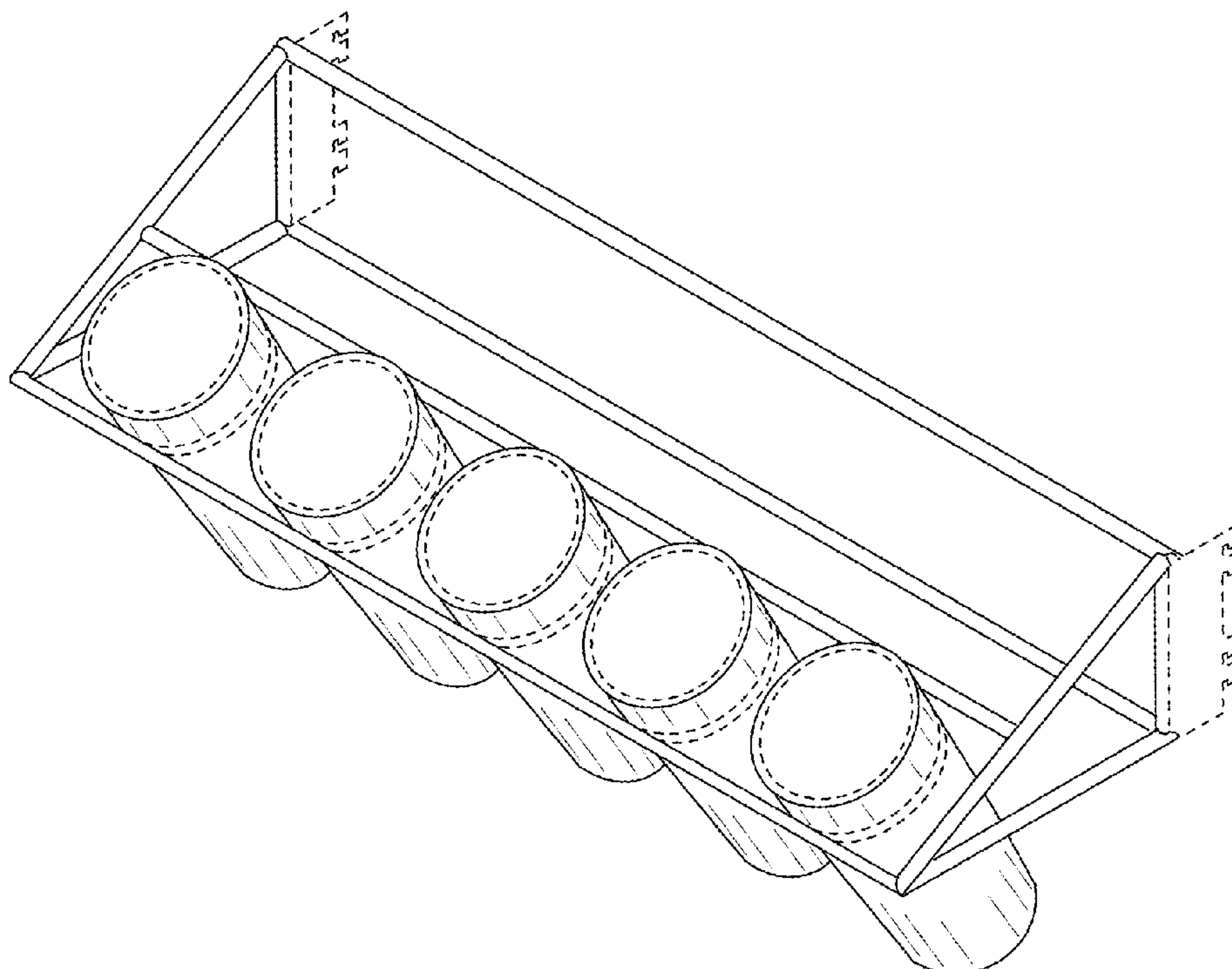
(57) **CLAIM**

The ornamental design for a display unit, as shown and described.

**DESCRIPTION**

FIG. 1 is a perspective view of a display unit showing our new design;  
 FIG. 2 is a front view thereof;  
 FIG. 3 is a top view thereof;  
 FIG. 4 is a right side view thereof; and,  
 FIG. 5 is a left side view thereof.  
 The broken lines shown in the drawings are included for purposes of illustrating portions of the display unit and form no part of the claimed design.

**1 Claim, 2 Drawing Sheets**



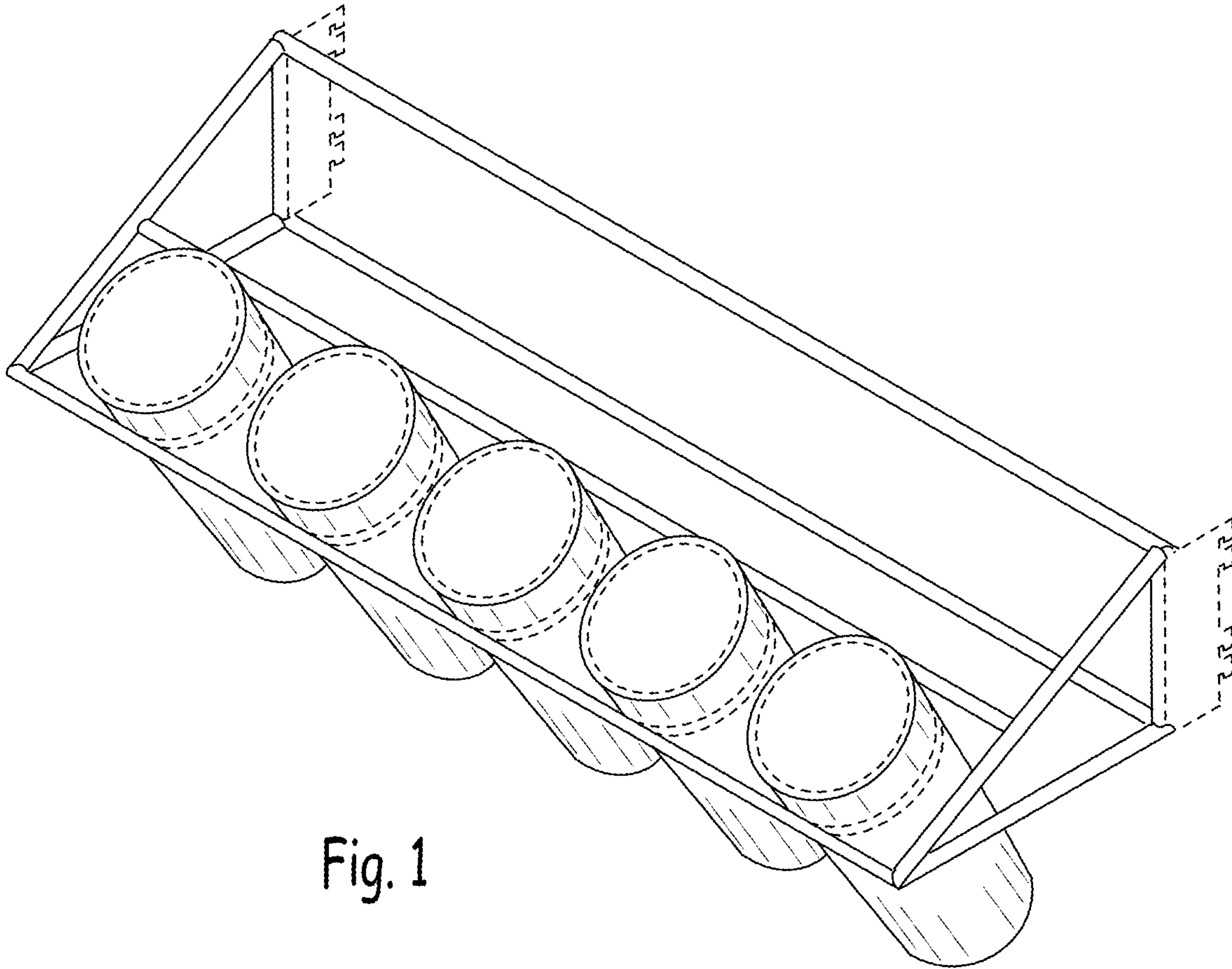


Fig. 1

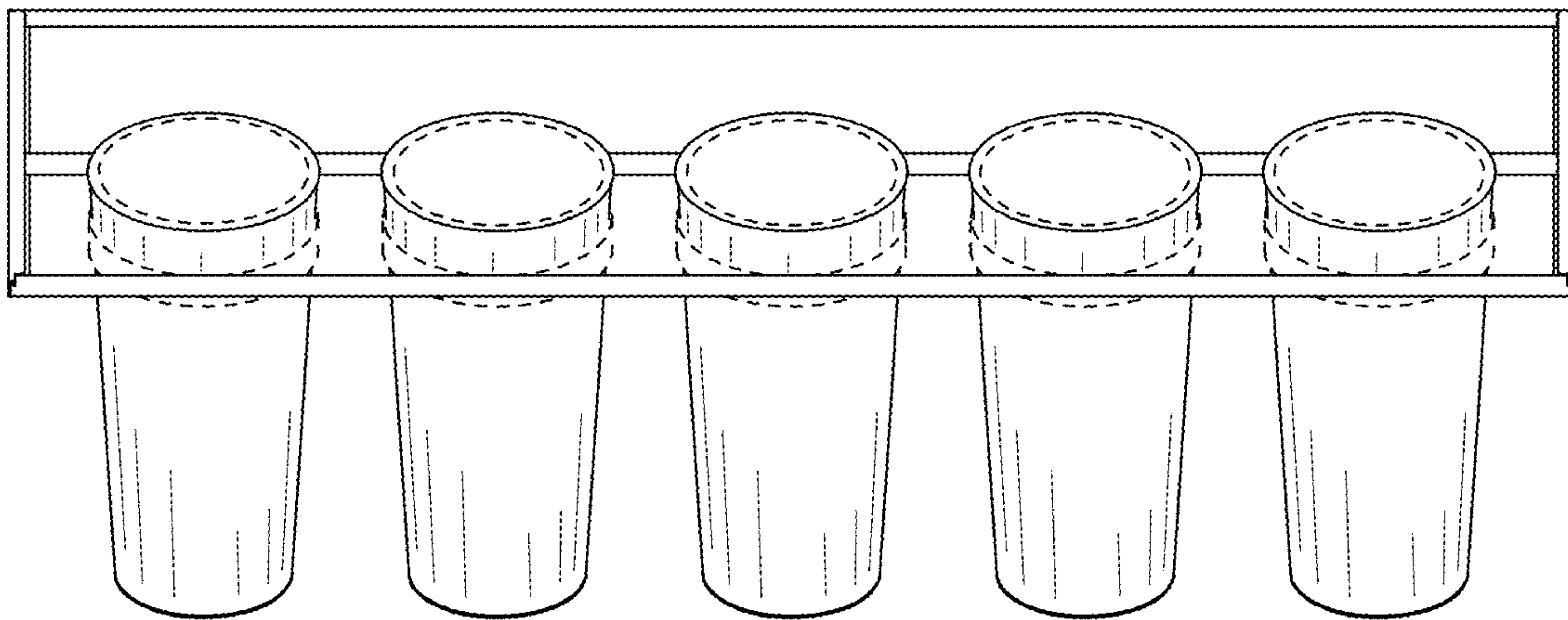


Fig. 2

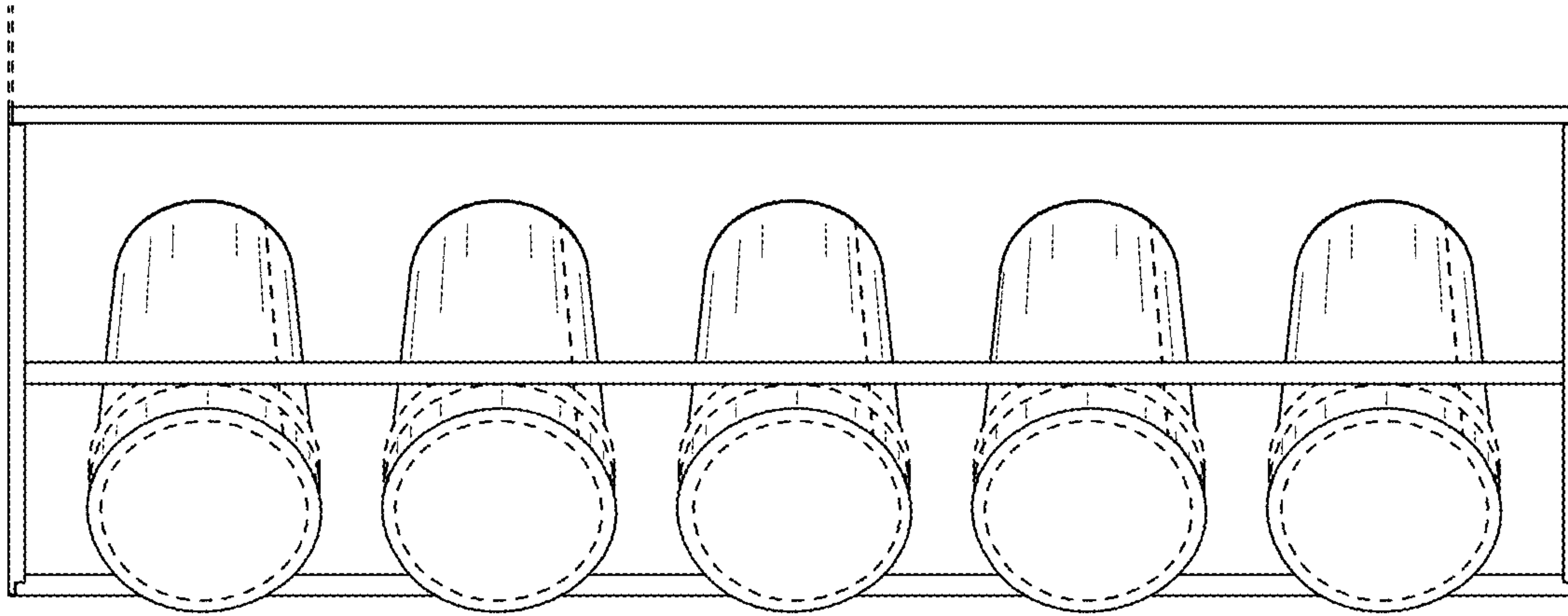


Fig. 3

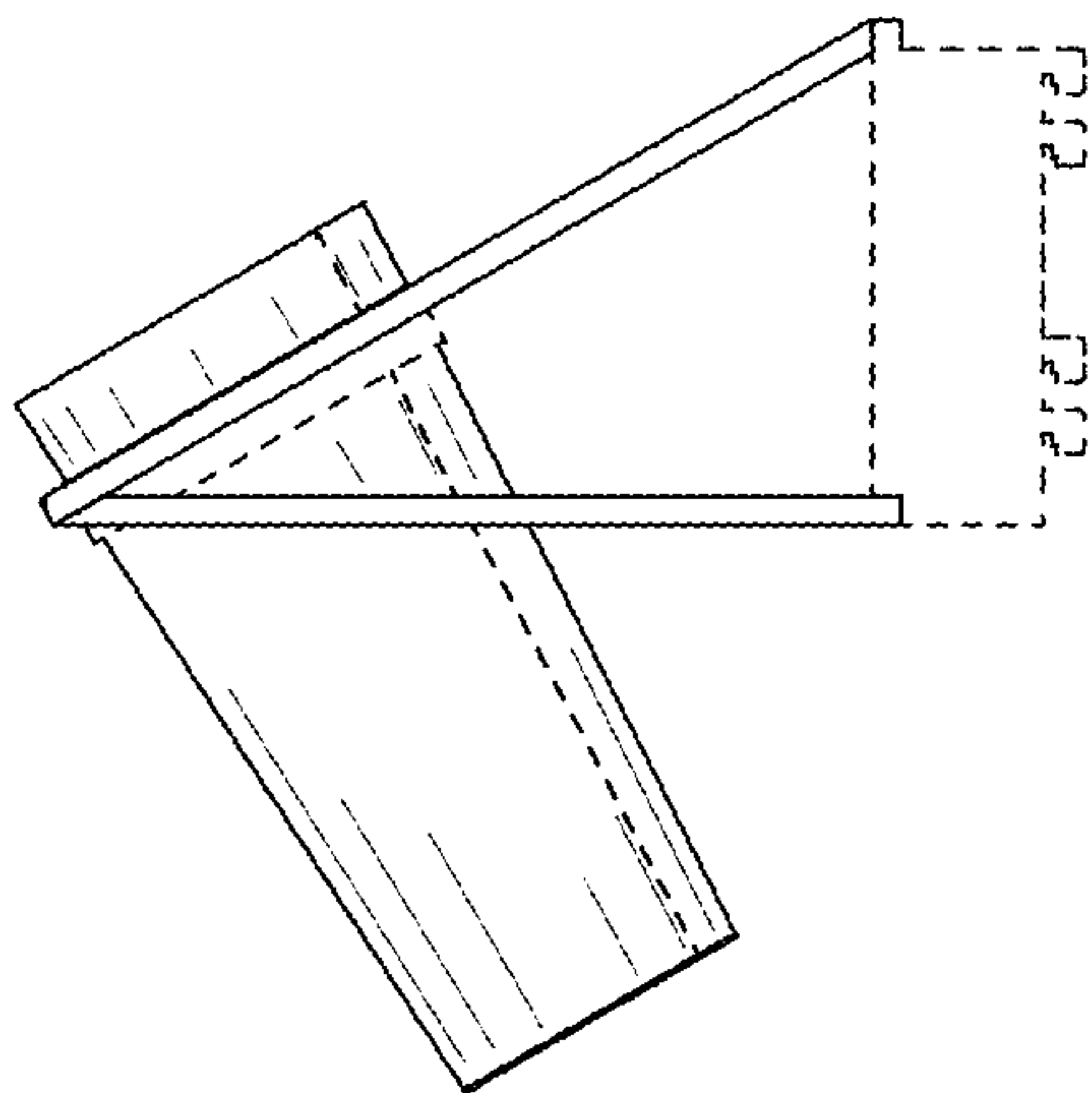


Fig. 4

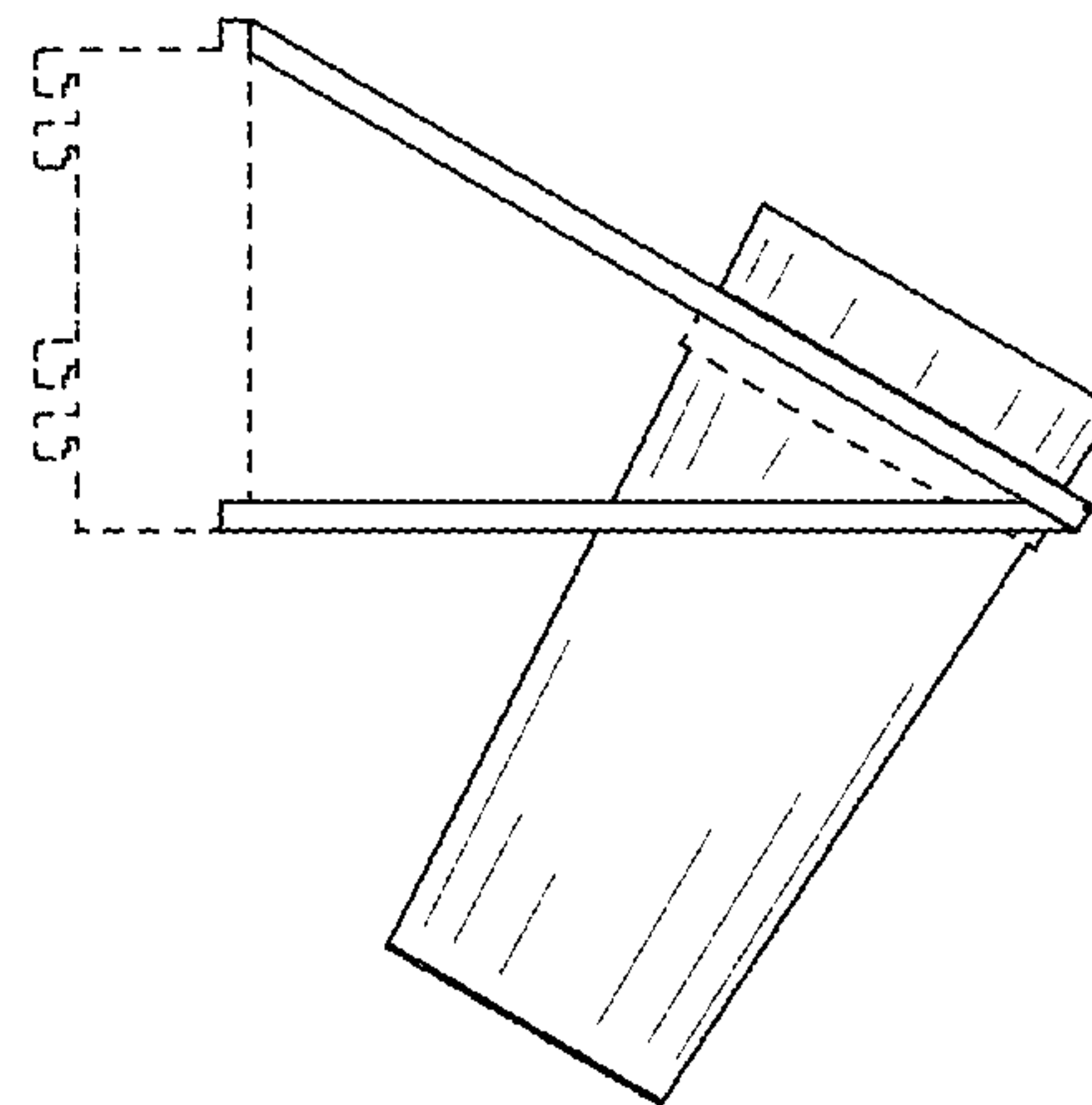


Fig. 5