

US00D894630S

(12) **United States Design Patent**
Gee, II

(10) **Patent No.:** **US D894,630 S**

(45) **Date of Patent:** **** Sep. 1, 2020**

(54) **PAPER TOWEL HOLDER**

(71) Applicant: **Spectrum Diversified Designs, LLC**,
Streetsboro, OH (US)

(72) Inventor: **Jack W. Gee, II**, Willoughby, OH (US)

(73) Assignee: **SPECTRUM DIVERSIFIED
DESIGNS, LLC**, Streetsboro, OH (US)

(**) Term: **15 Years**

(21) Appl. No.: **29/681,602**

(22) Filed: **Feb. 27, 2019**

(51) **LOC (12) Cl.** **20-02**

(52) **U.S. Cl.**
USPC **D6/521**

(58) **Field of Classification Search**
USPC D6/521, 518-520, 522; 206/389, 391;
211/13.1, 45, 59.1, 89.01; 242/570, 590,
242/597.7; 248/309.1, 309.2
CPC A47K 10/04; A47K 10/02; A47K 10/10;
A47K 10/3836; A47K 2010/324; A47K
2010/389; B08B 1/006
See application file for complete search history.

(56) **References Cited**

U.S. PATENT DOCUMENTS

D412,803 S * 8/1999 Goodman D6/521
D716,070 S * 10/2014 Goodman D6/521

D844,329 S * 4/2019 Goodman D3/306
D878,076 S * 3/2020 Xayoiphonh D6/521
2006/0231673 A1* 10/2006 Wardell A47K 10/3818
242/597.7

OTHER PUBLICATIONS

Clipper Mill by Get 4-33453 7 1/2" x 4 1/2" Black Powder Coated Iron Braided Oval Wire Basket, WebstaurantStore website page, <https://www.webstaurantstore.com/clipper-mill-by-get-4-33453-7-1-2-x-4-1-2-black-powder-coated-iron-braided-oval-wire-basket/375433453.html>, retrieved from Internet on Feb. 6, 2019, 1 page.

* cited by examiner

Primary Examiner — Wan Laymon

Assistant Examiner — Mark Booker

(74) *Attorney, Agent, or Firm* — Tucker Ellis LLP

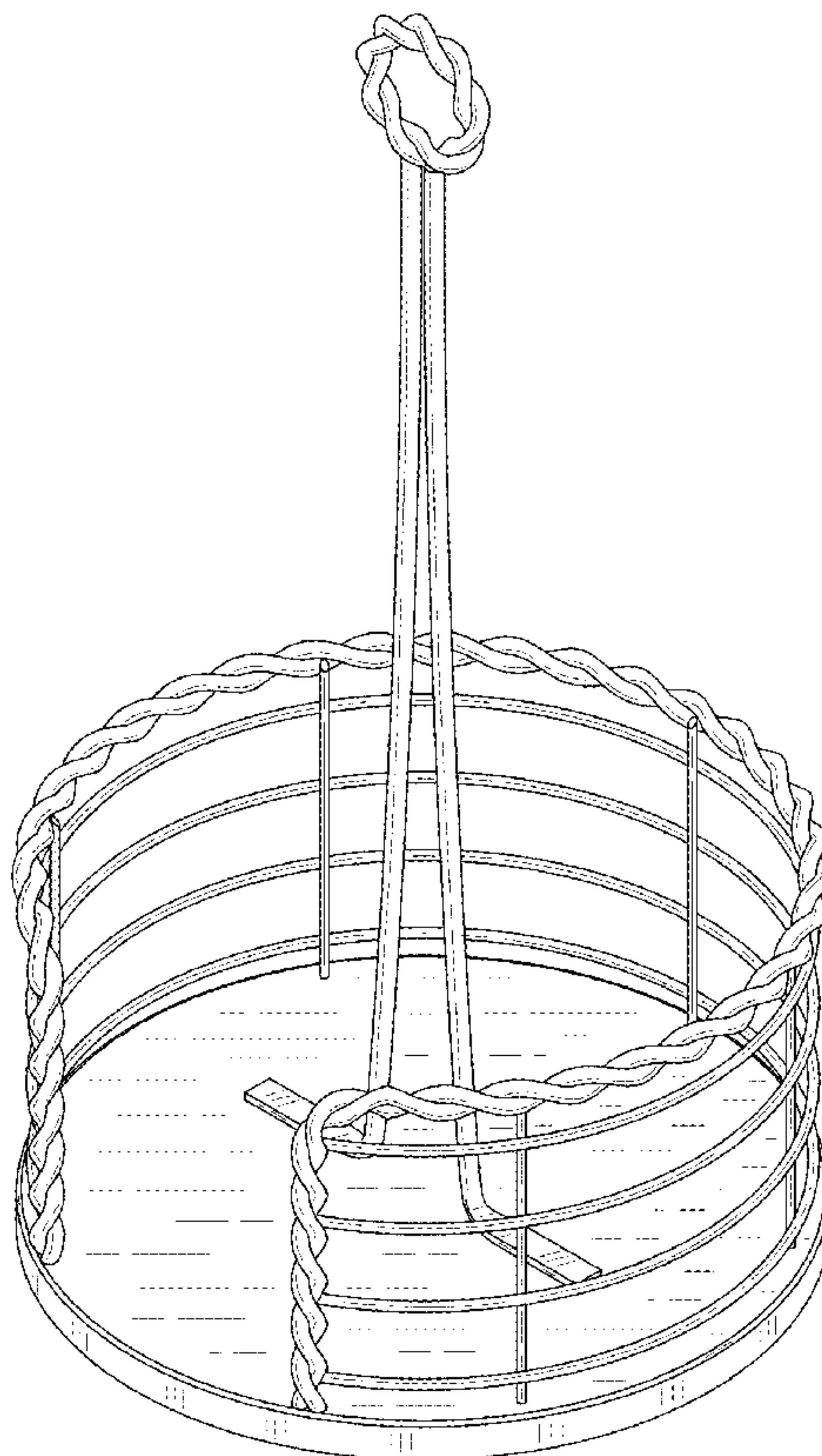
(57) **CLAIM**

The ornamental design for a paper towel holder, as shown and described.

DESCRIPTION

FIG. 1 is a top perspective view of a paper towel holder showing my new design;
FIG. 2 is a front view thereof;
FIG. 3 is a rear view thereof;
FIG. 4 is a right side view thereof;
FIG. 5 is a left side view thereof;
FIG. 6 is a top view thereof; and,
FIG. 7 is a bottom view thereof.

1 Claim, 4 Drawing Sheets



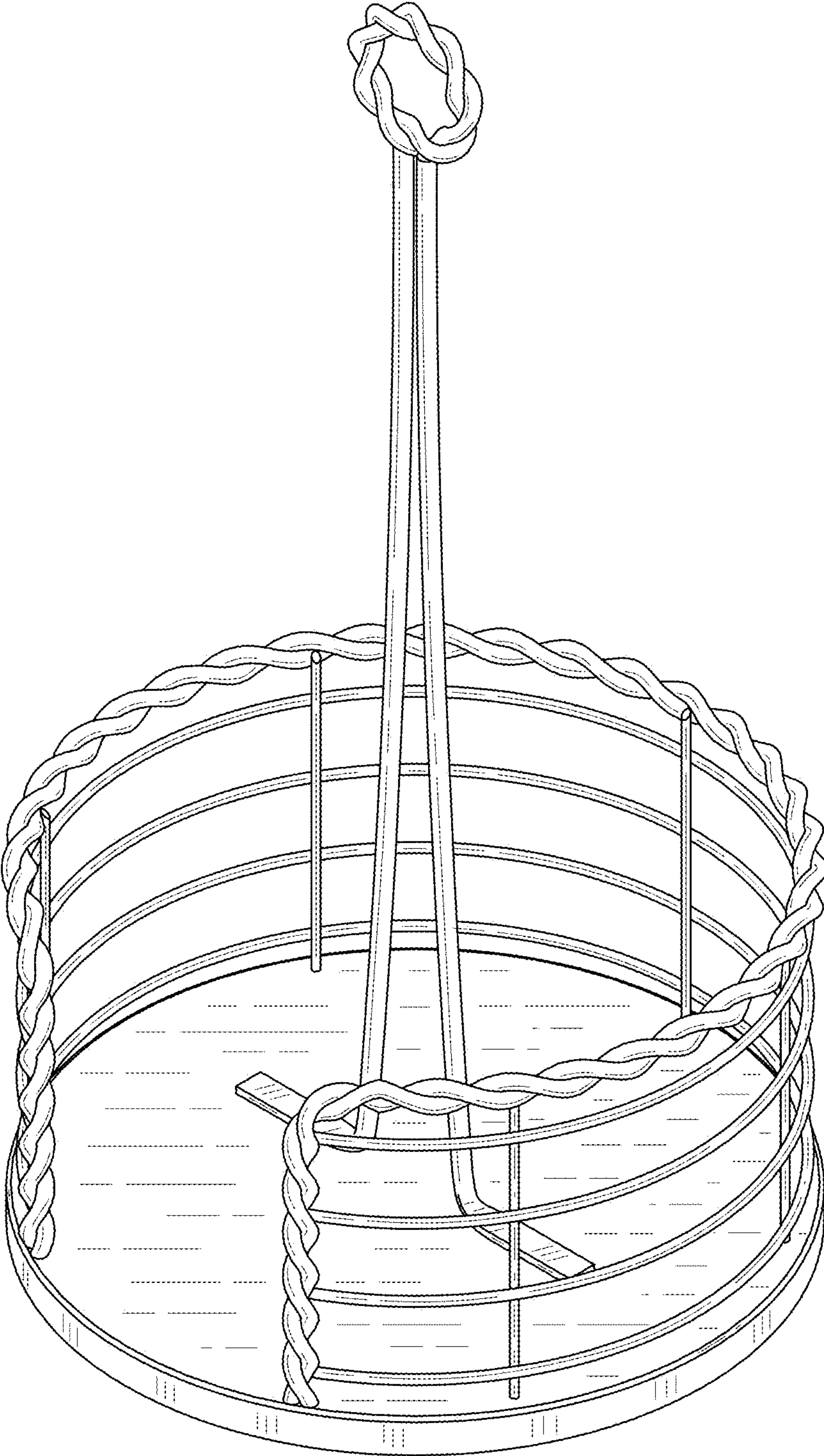


FIG. 1

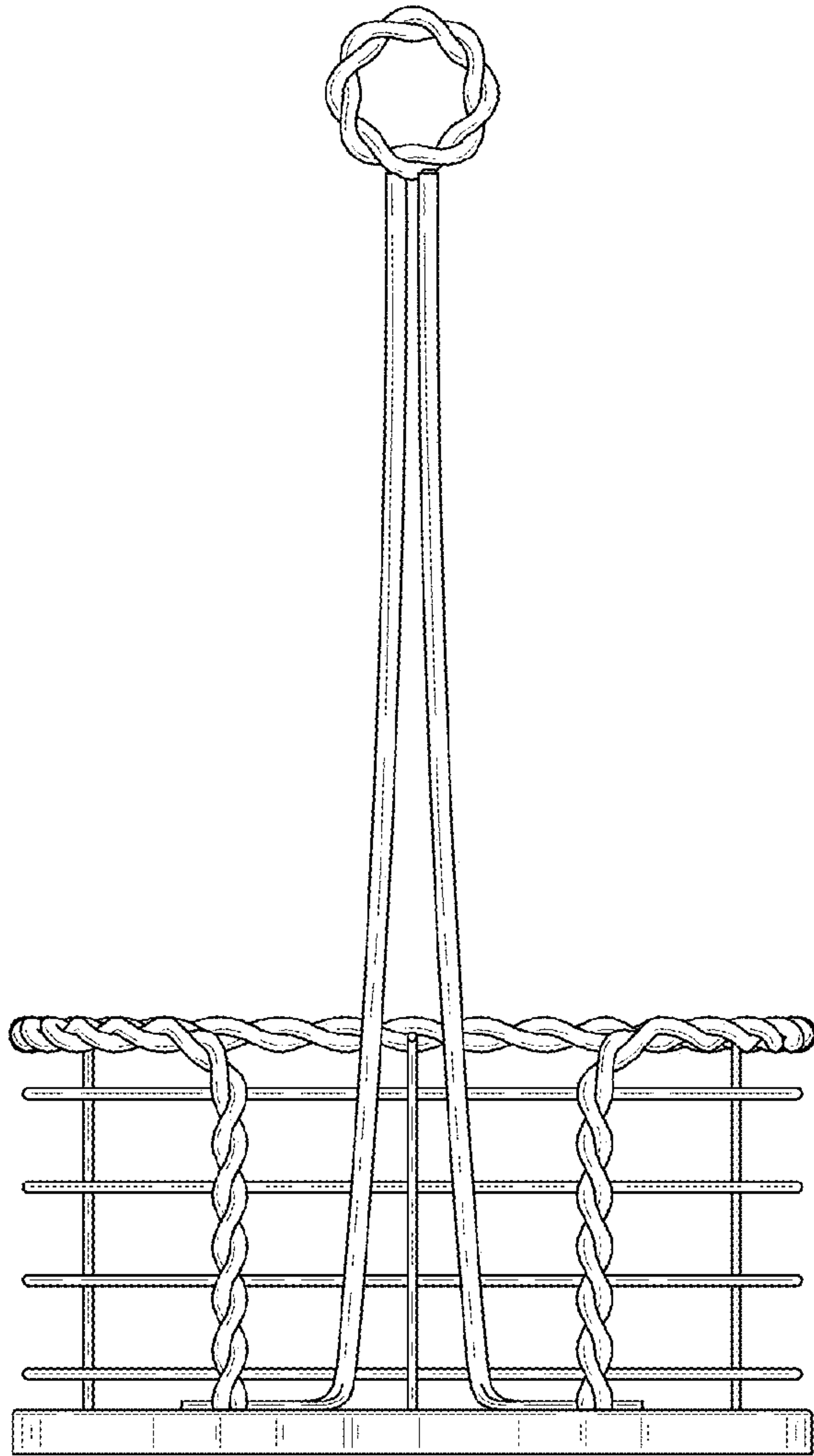


FIG. 2

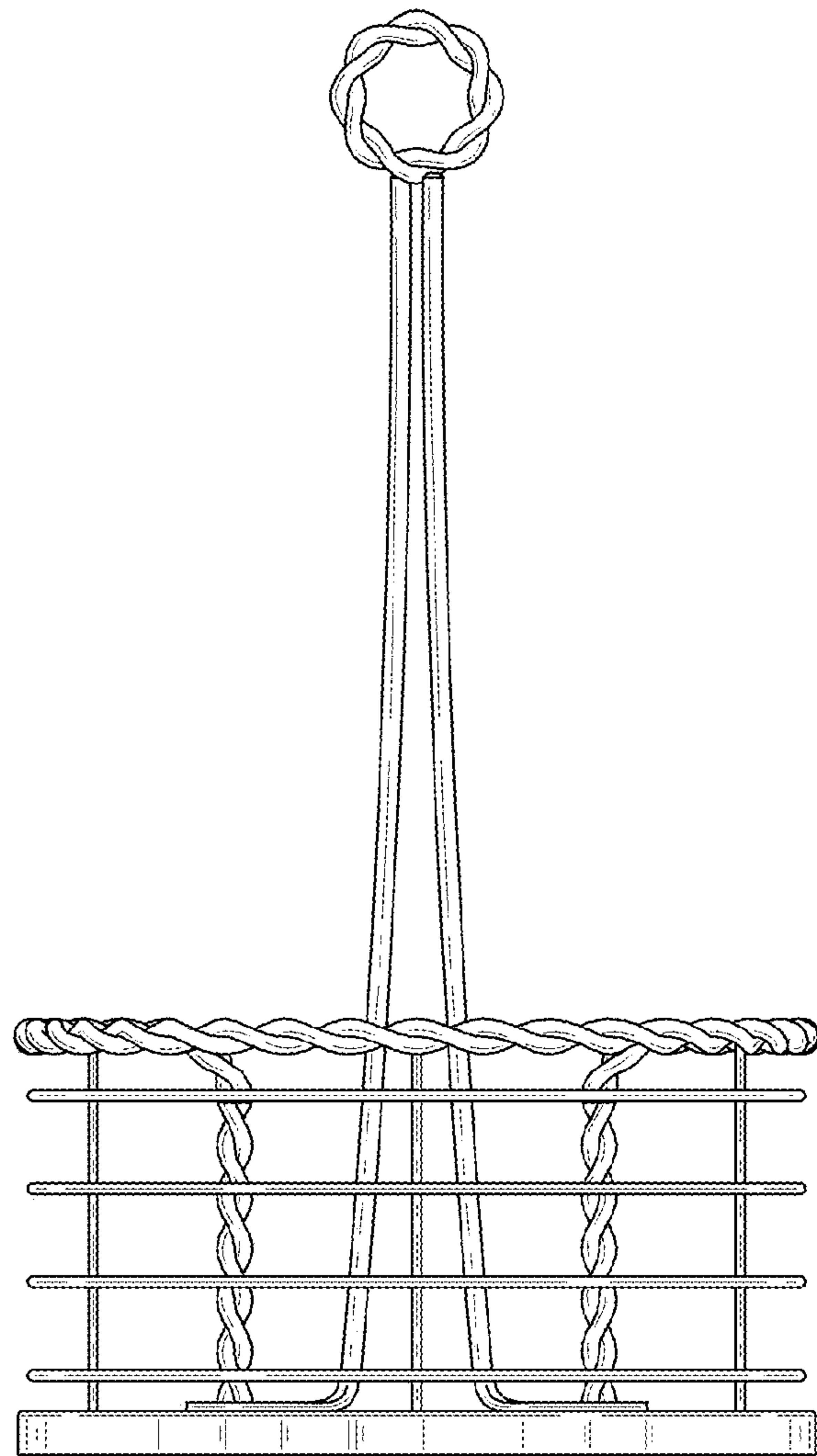


FIG. 3

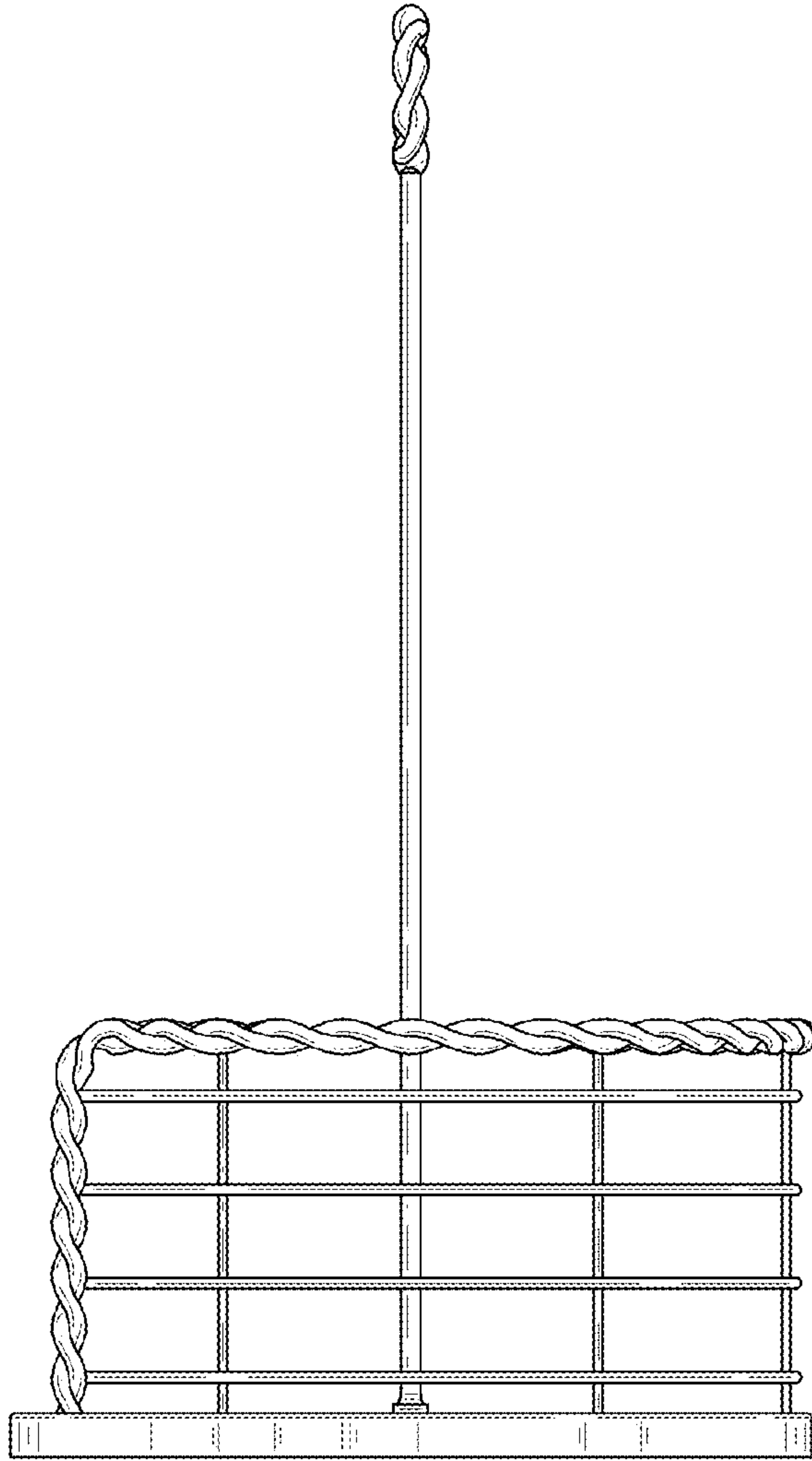


FIG. 4

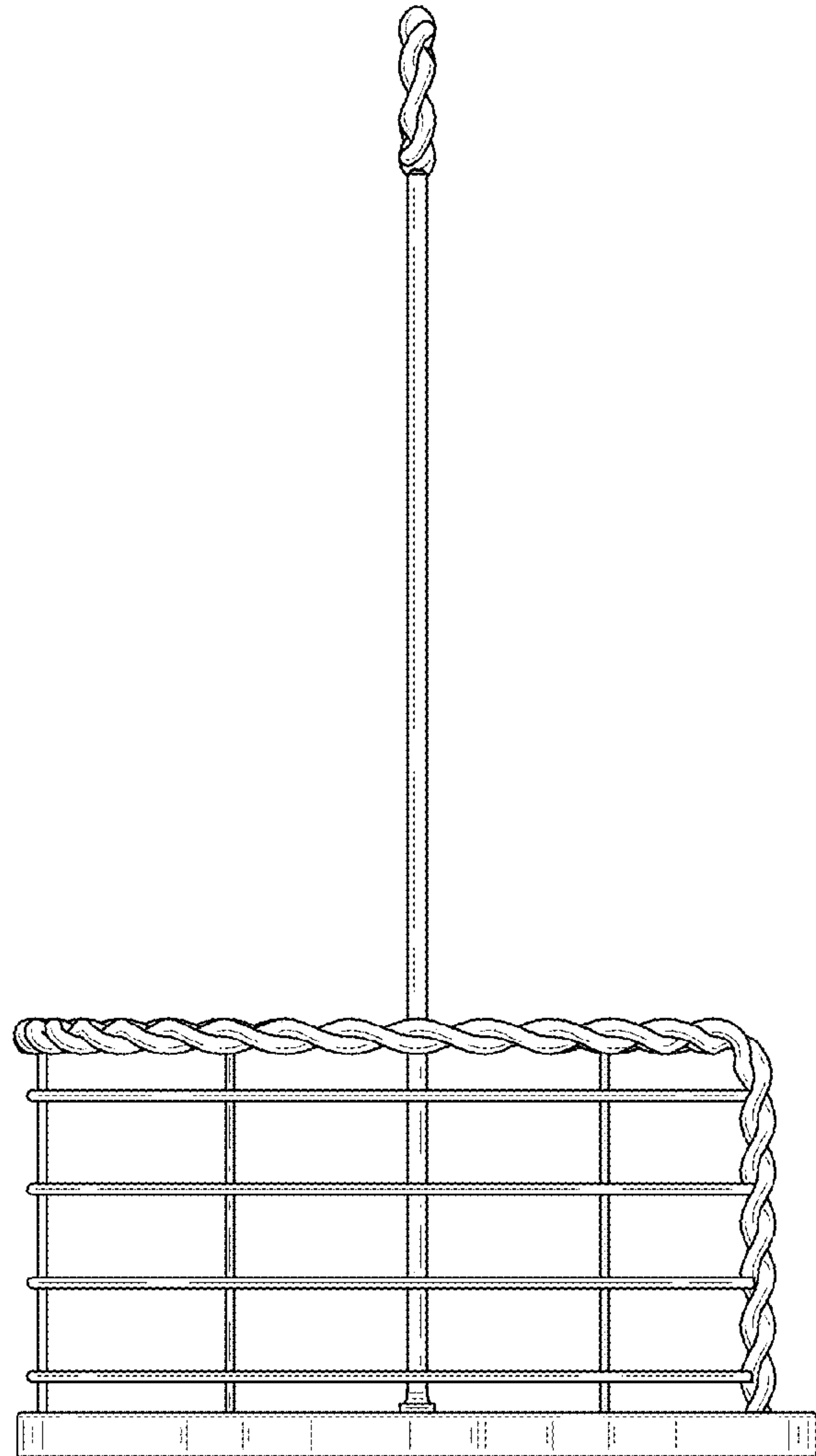


FIG. 5

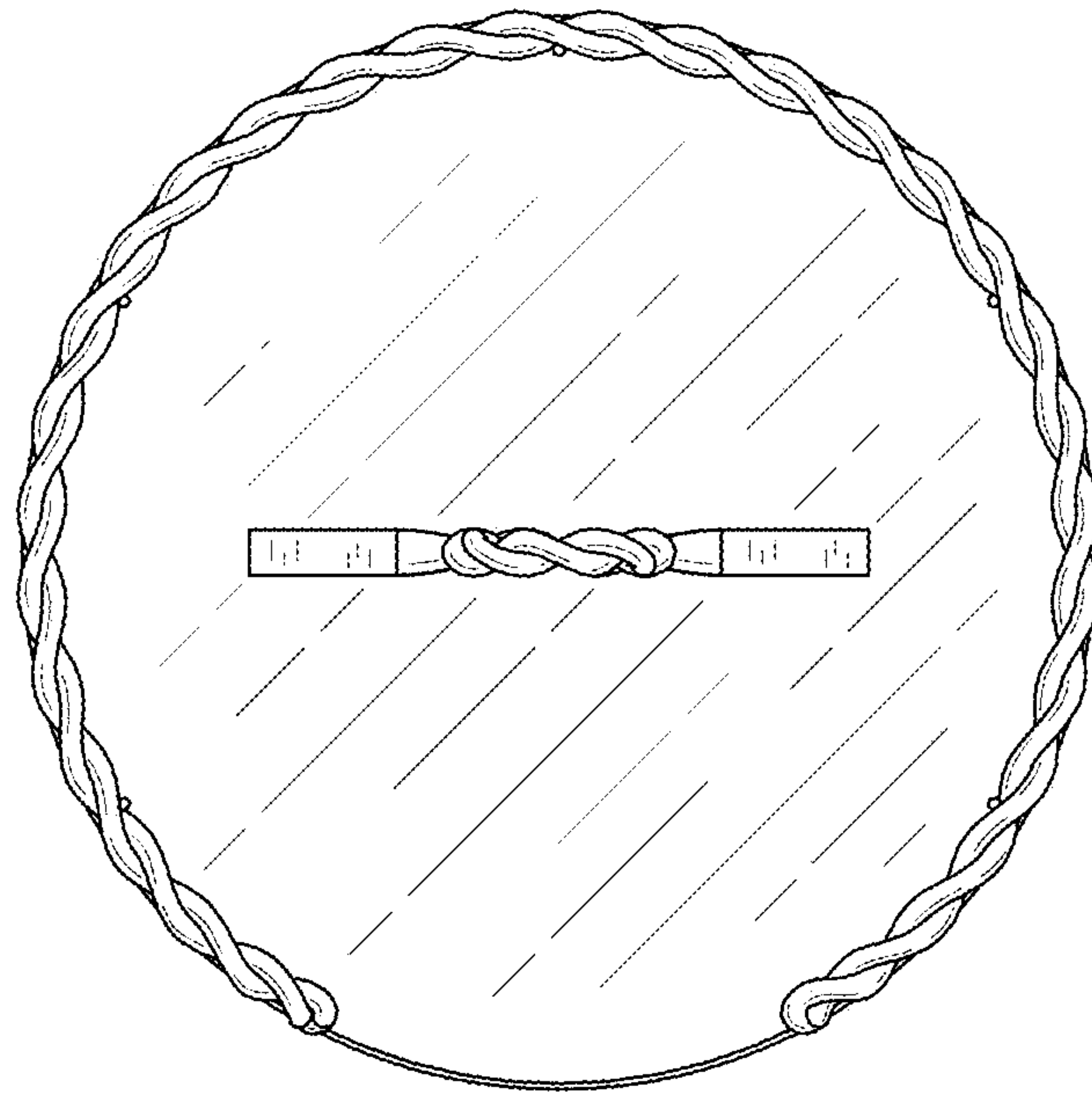


FIG. 6

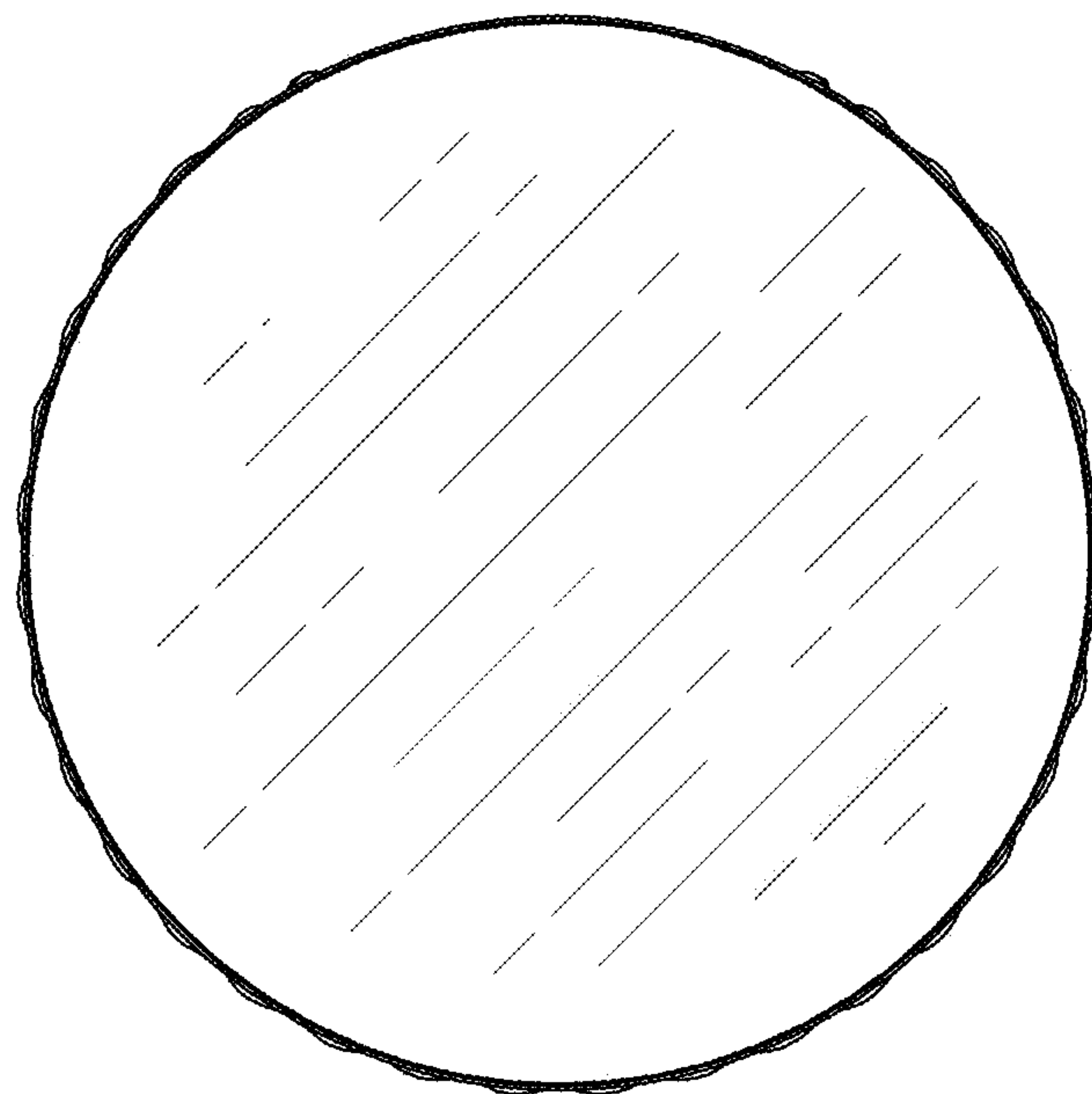


FIG. 7