



US00D894628S

(12) **United States Design Patent**
Del Portillo et al.

(10) **Patent No.:** **US D894,628 S**
(45) **Date of Patent:** **** Sep. 1, 2020**

(54) **CHAIR**
(71) Applicant: **TON a.s.**, Bystrice pod Hostýnem (CZ)
(72) Inventors: **Clara Del Portillo**, Valencia (ES);
Alejandro Selma, Valencia (ES)
(73) Assignee: **TON a.s.**, Bystrice Pod Hostynem (CZ)
(**) Term: **15 Years**

3,485,525 A * 12/1969 Spilman A47C 3/04
297/239
D292,149 S * 10/1987 Monesi D6/380
D323,943 S * 2/1992 Piretti D6/380
D739,663 S * 9/2015 Yuglich D6/380
D801,070 S * 10/2017 Naoto D6/379
D862,103 S * 10/2019 Hertzog D6/376
D863,805 S * 10/2019 Jones D6/374

(21) Appl. No.: **29/686,971**
(22) Filed: **Apr. 9, 2019**

FOREIGN PATENT DOCUMENTS

GB 898479 A * 6/1962 A47C 3/04
* cited by examiner

(30) **Foreign Application Priority Data**

Oct. 12, 2018 (EM) 005797578
(51) **LOC (12) Cl.** **06-01**
(52) **U.S. Cl.**
USPC **D6/380**
(58) **Field of Classification Search**
USPC D6/334, 349, 369, 374–376, 379–382,
D6/711, 708.16, 716.1
CPC A47C 3/04; A47C 3/12; A47C 5/04; A47C
5/12; A47C 5/14; A47C 7/02; A47C 7/16;
A47C 7/18; A47C 7/24; A47C 11/00;
A47C 15/002; A47C 17/02
See application file for complete search history.

Primary Examiner — R. Johnson
(74) *Attorney, Agent, or Firm* — Fross Zelnick Lehrman
& Zissu, P.C.; Charles T. J. Weigell, Esq.

(57) **CLAIM**

The ornamental design for a chair, as shown and described.

(56) **References Cited**

U.S. PATENT DOCUMENTS

D166,893 S * 5/1952 Weill D6/374
2,658,563 A * 11/1953 Nordmark A47C 5/04
297/452.24
D179,770 S * 2/1957 Hoven D6/374
D186,658 S * 11/1959 Spilman D6/374
2,970,635 A * 2/1961 Fields A47C 3/04
297/239
3,159,425 A * 12/1964 Engstrom A47C 3/04
297/248

DESCRIPTION

FIG. 1 is a front perspective view of a chair showing the first embodiment of our new design;
FIG. 2 is a left side view thereof; the opposite side view being a mirror image;
FIG. 3 is a back view thereof;
FIG. 4 is a front view thereof;
FIG. 5 is a top view thereof;
FIG. 6 is a bottom view thereof;
FIG. 7 is a front perspective view of a chair, showing a second embodiment of the design;
FIG. 8 is a left side view thereof; the opposite side being a mirror image thereof;
FIG. 9 is a back view thereof;
FIG. 10 is a front view thereof;
FIG. 11 is a top view thereof; and,
FIG. 12 is a bottom view thereof.
In the drawings, the broken lines represent portions of the chair which form no part of the claimed design.

1 Claim, 12 Drawing Sheets

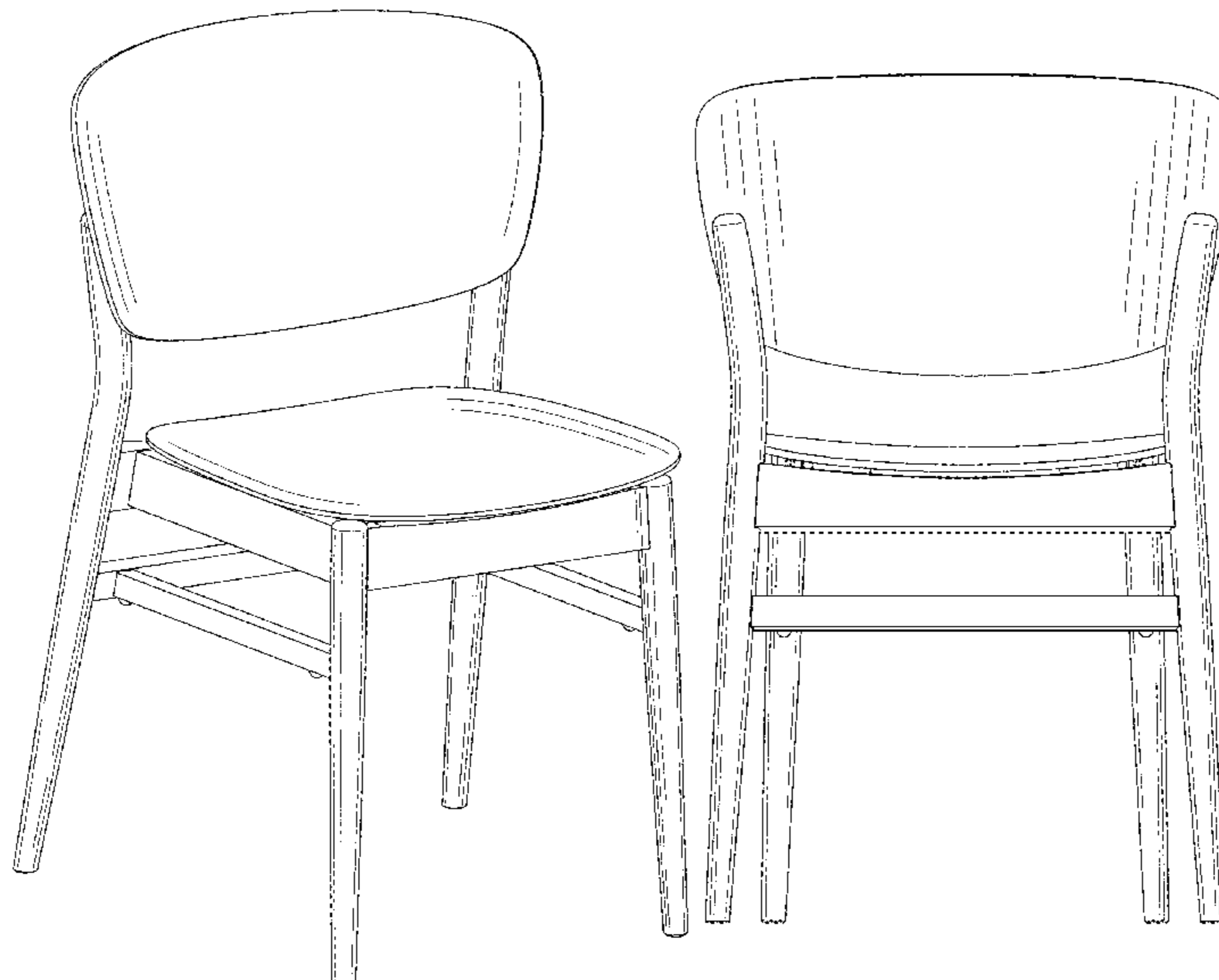




FIG. 1

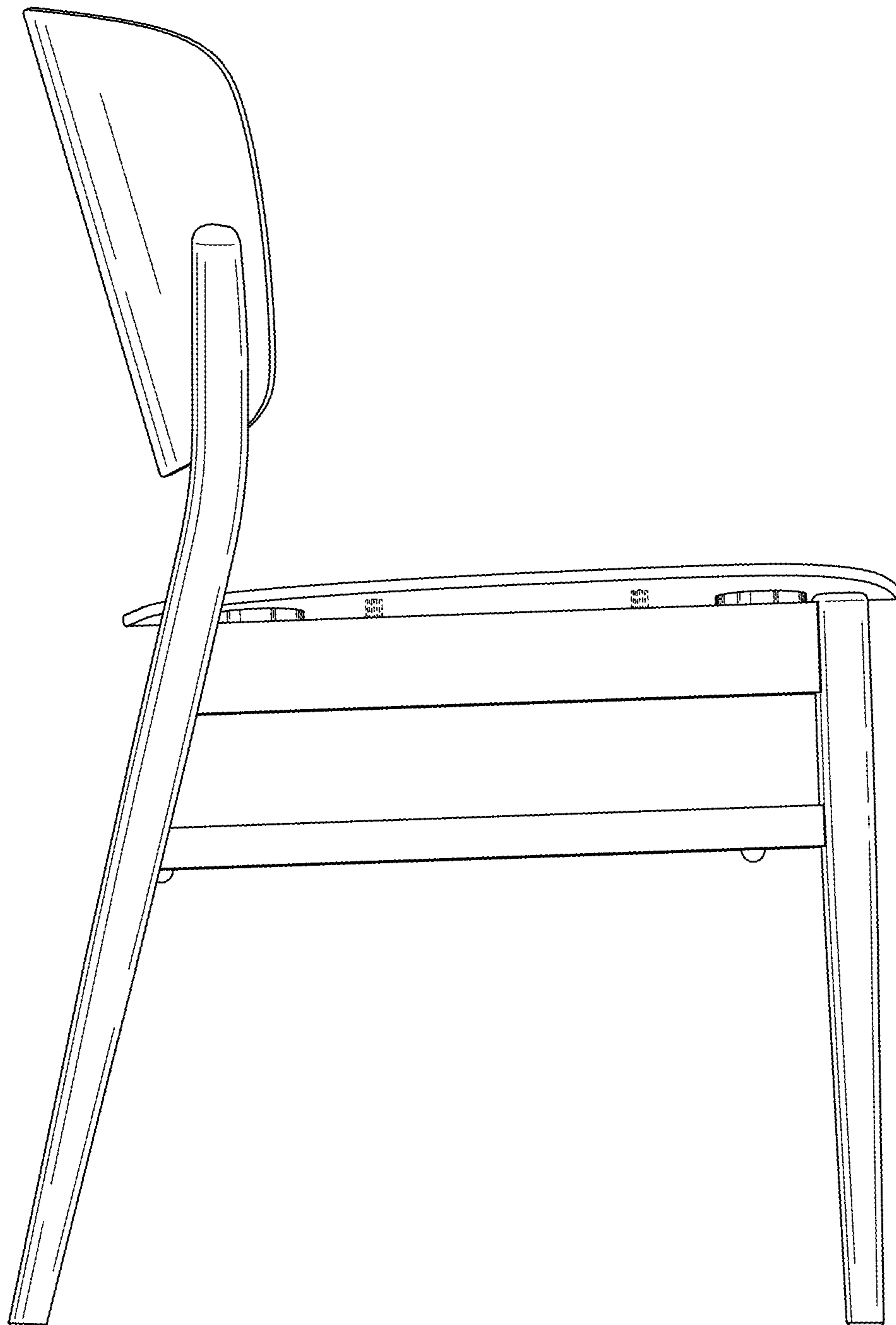


FIG. 2

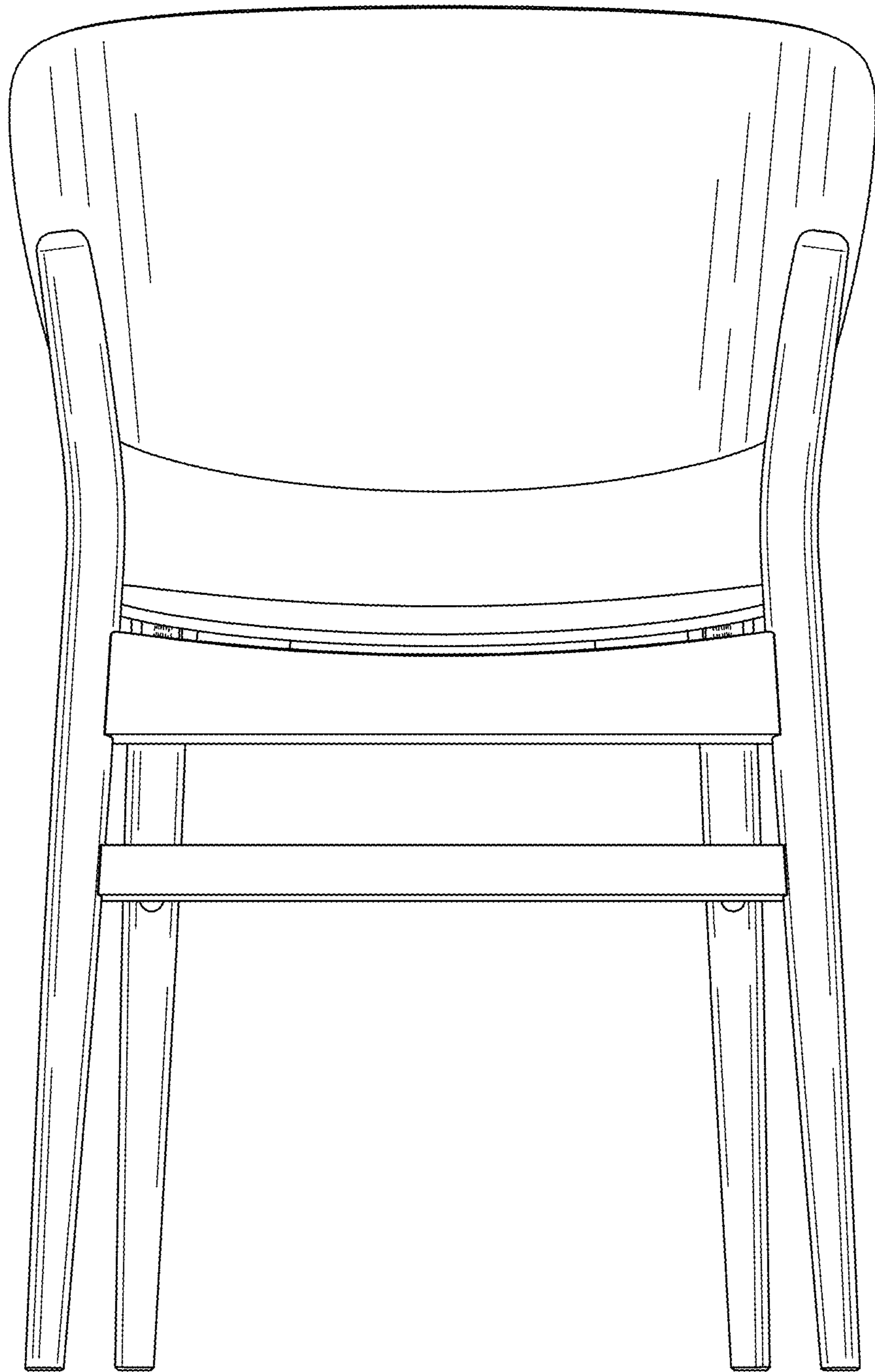


FIG. 3

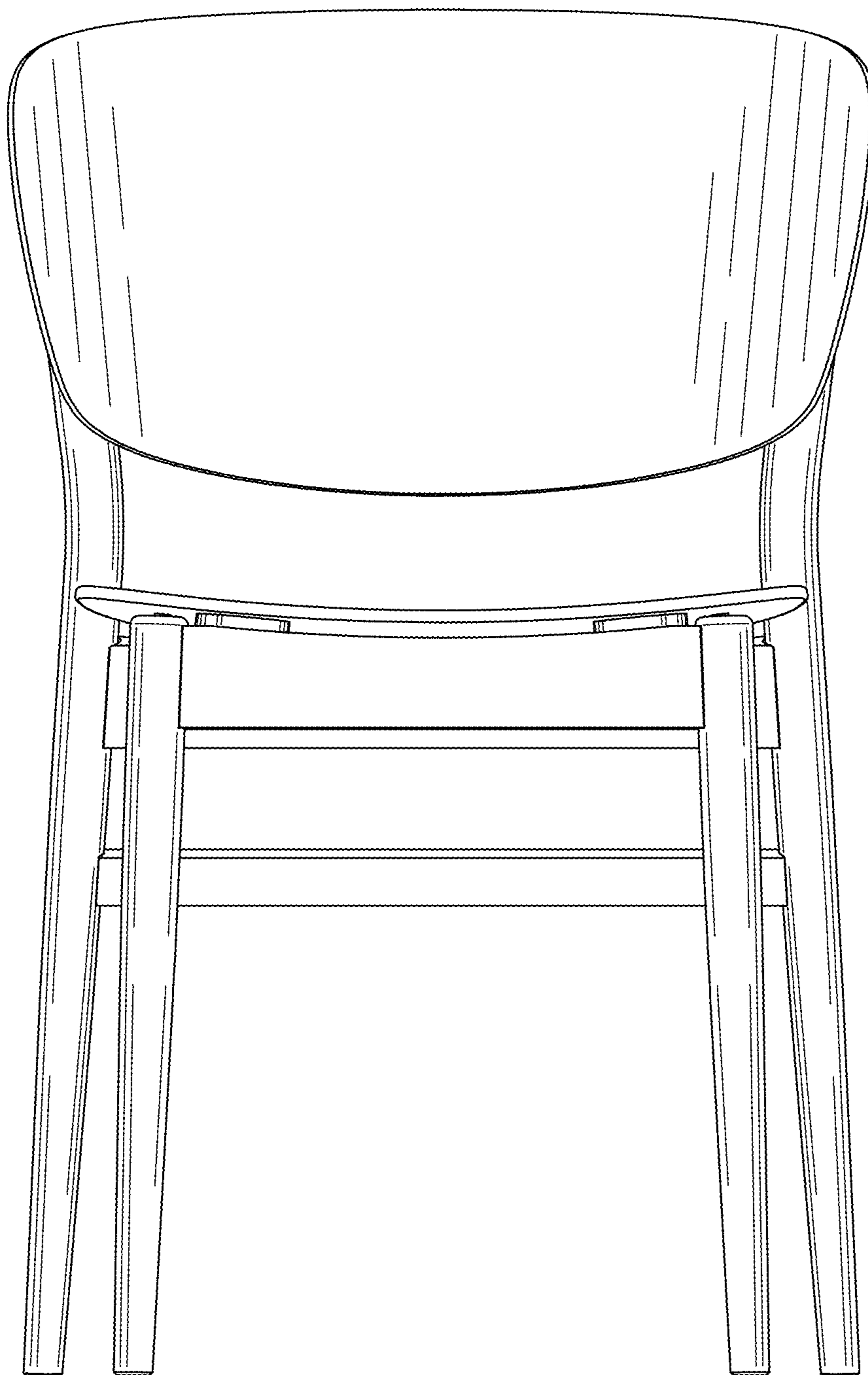


FIG. 4

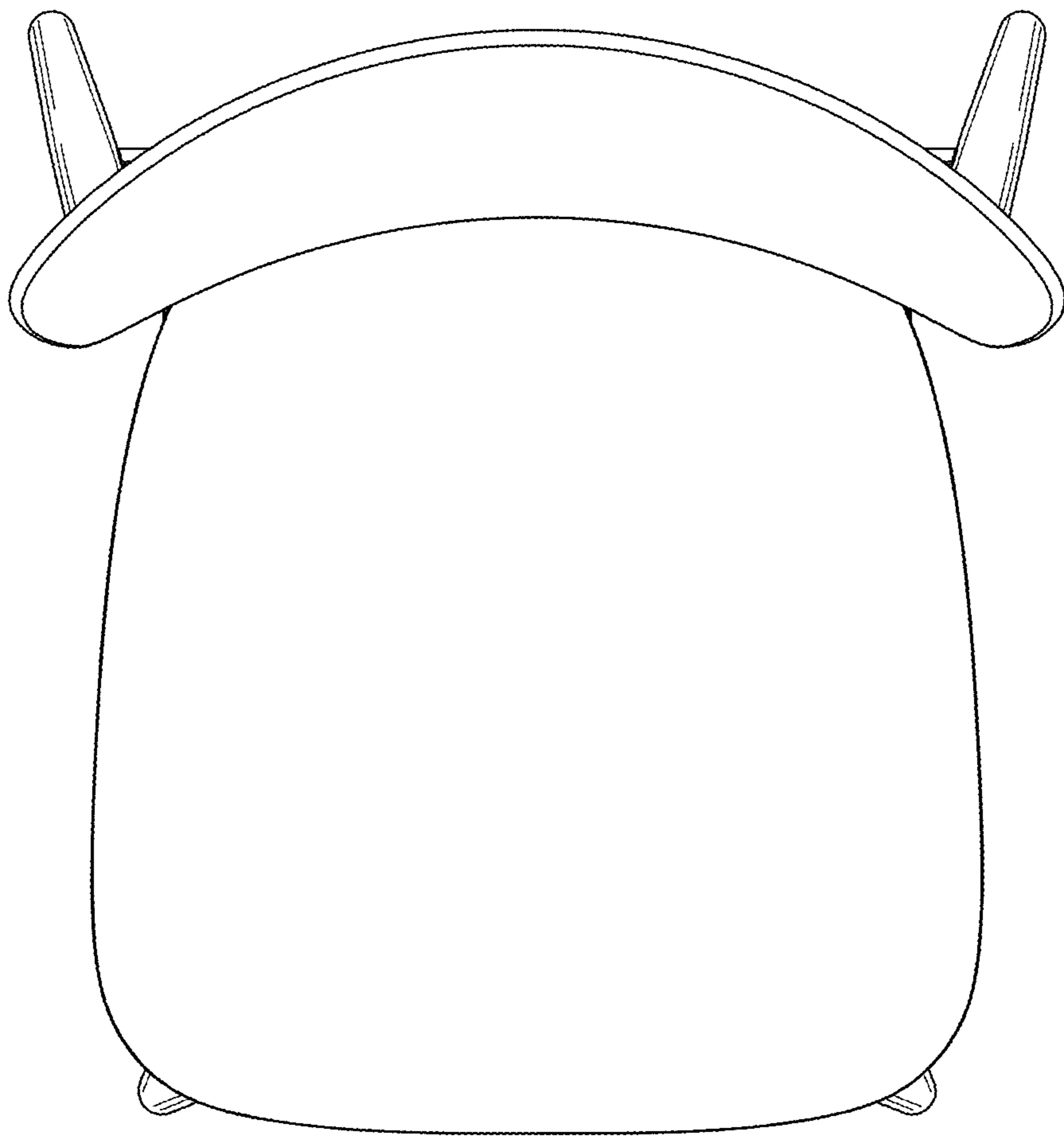


FIG. 5

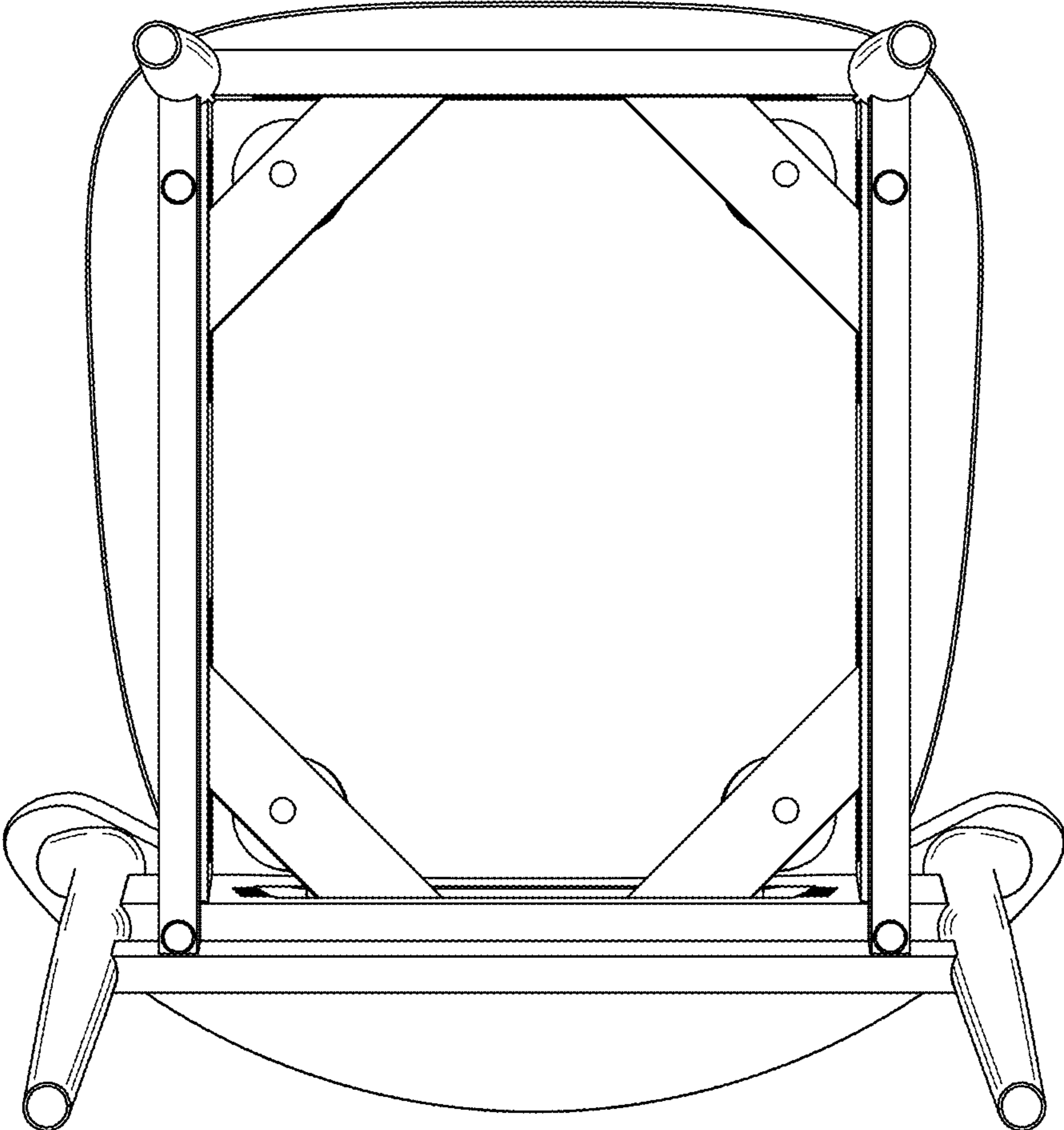


FIG. 6



FIG. 7

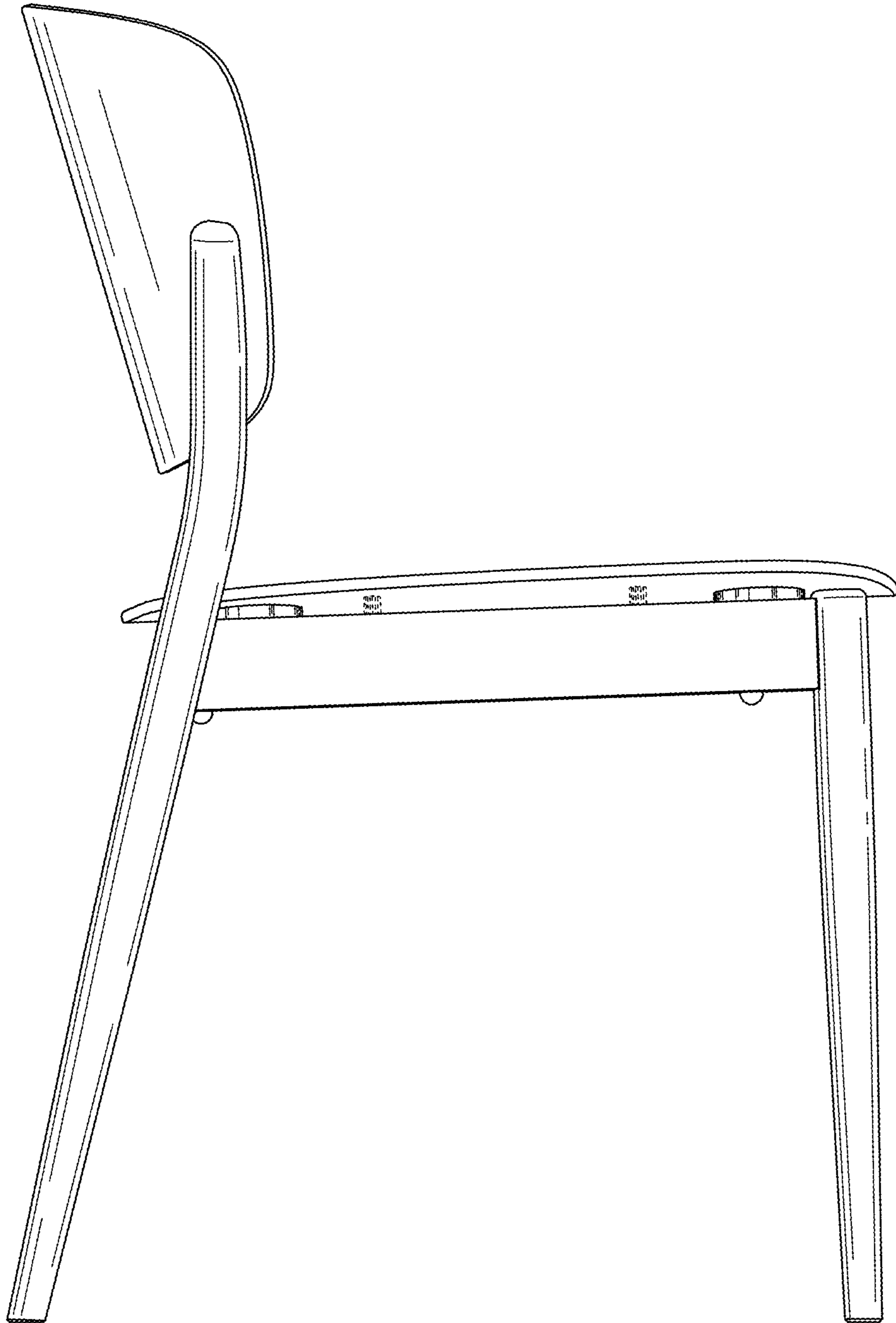


FIG. 8

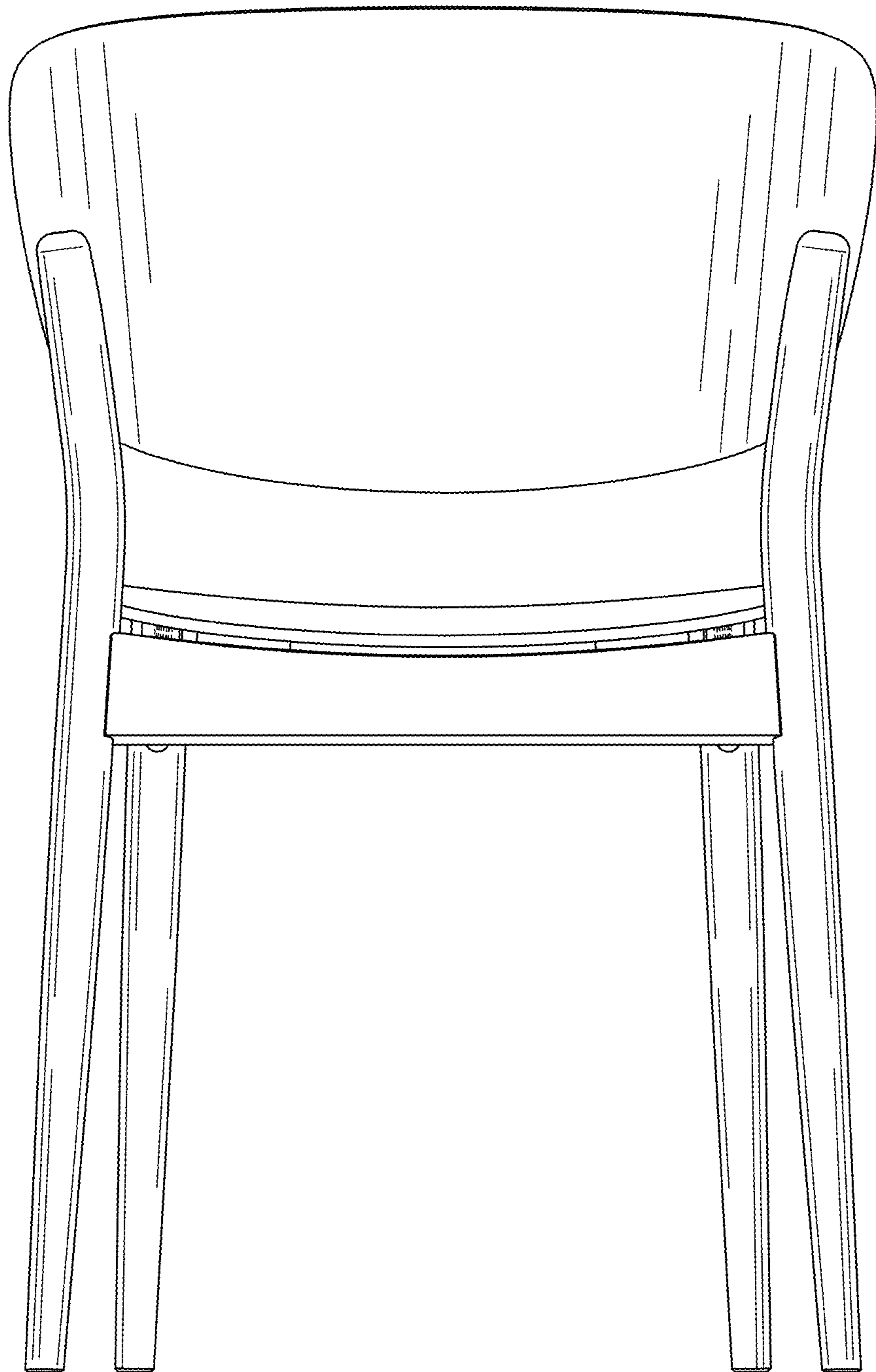


FIG. 9

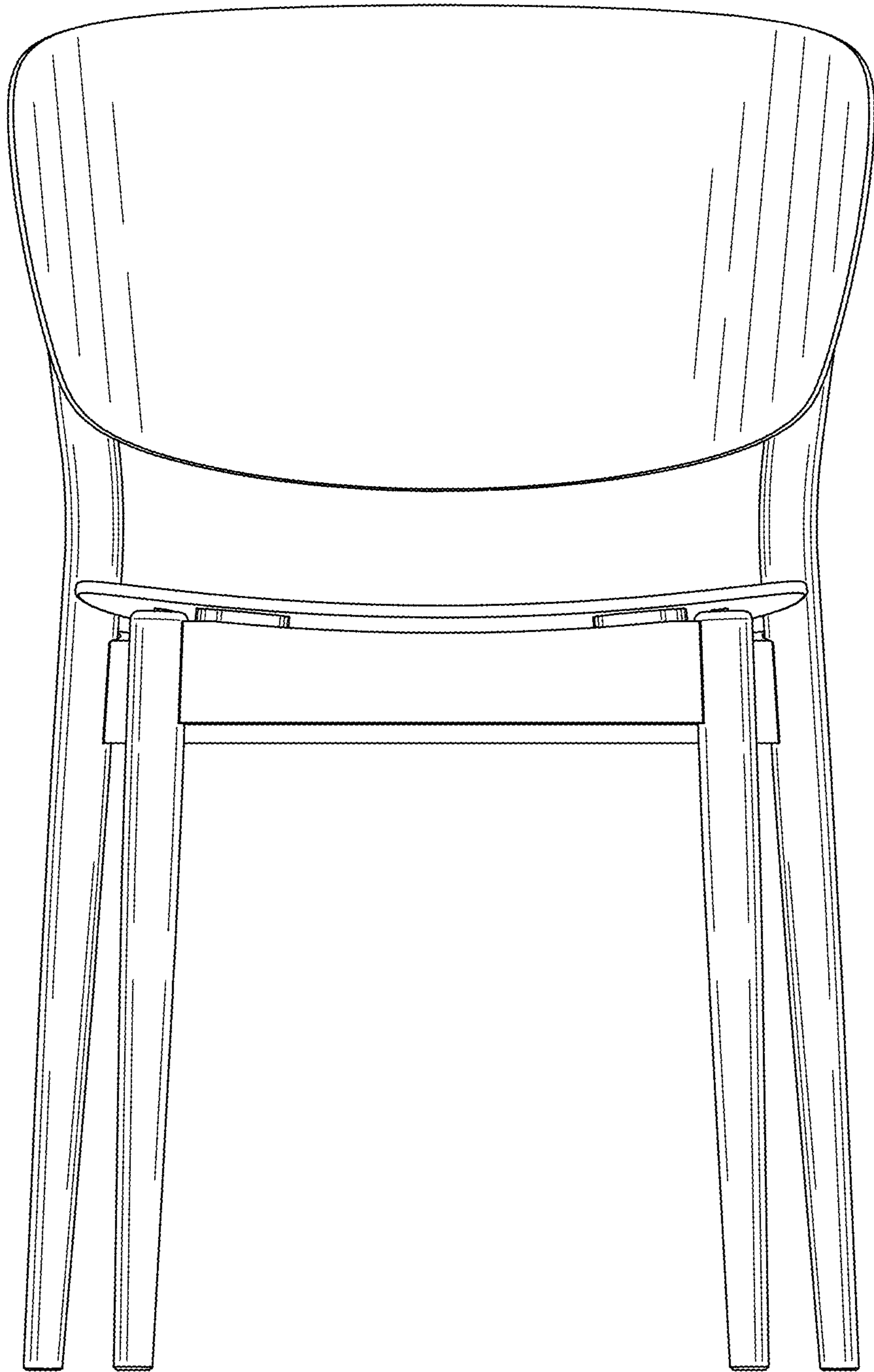


FIG. 10

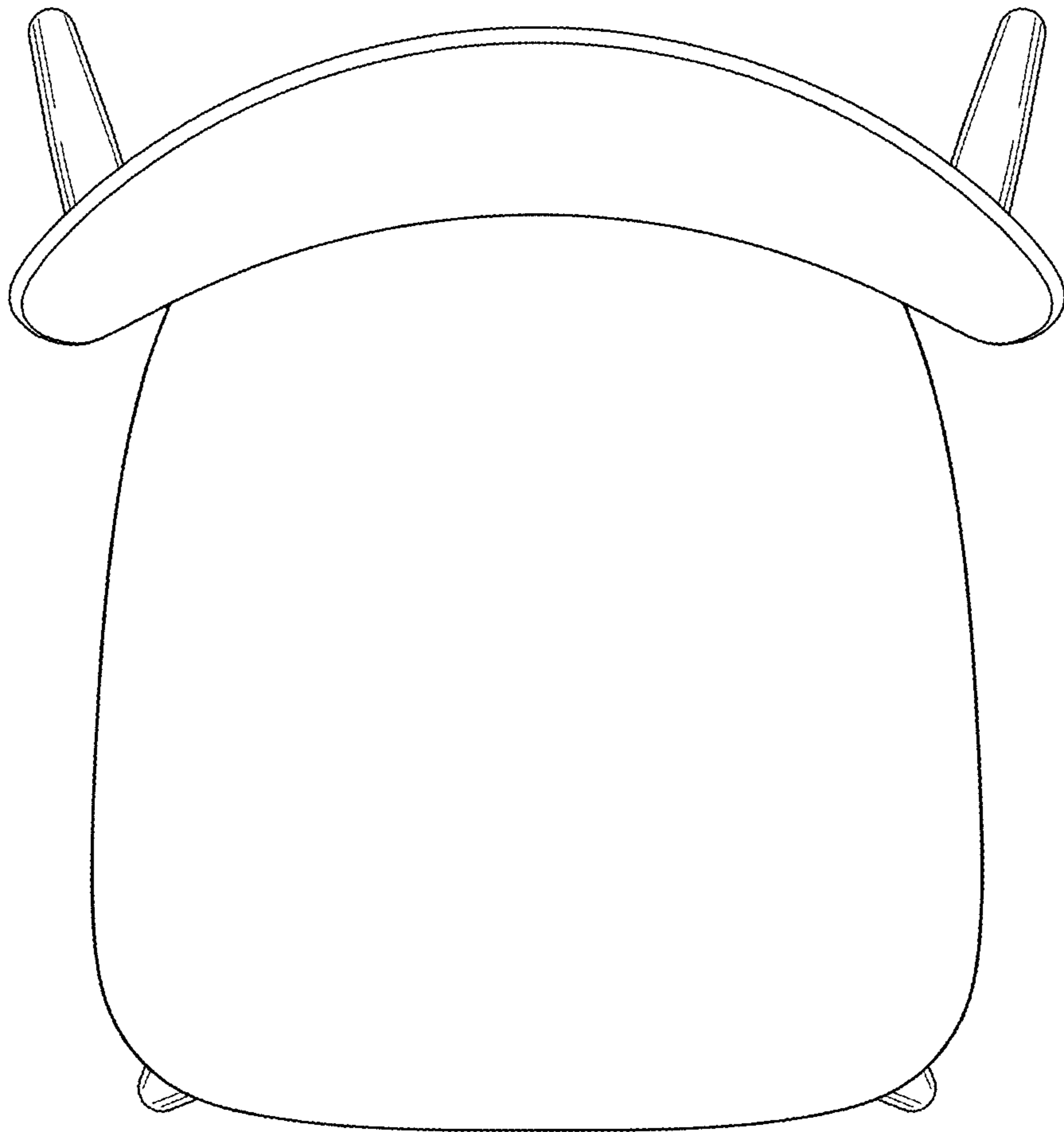


FIG. 11

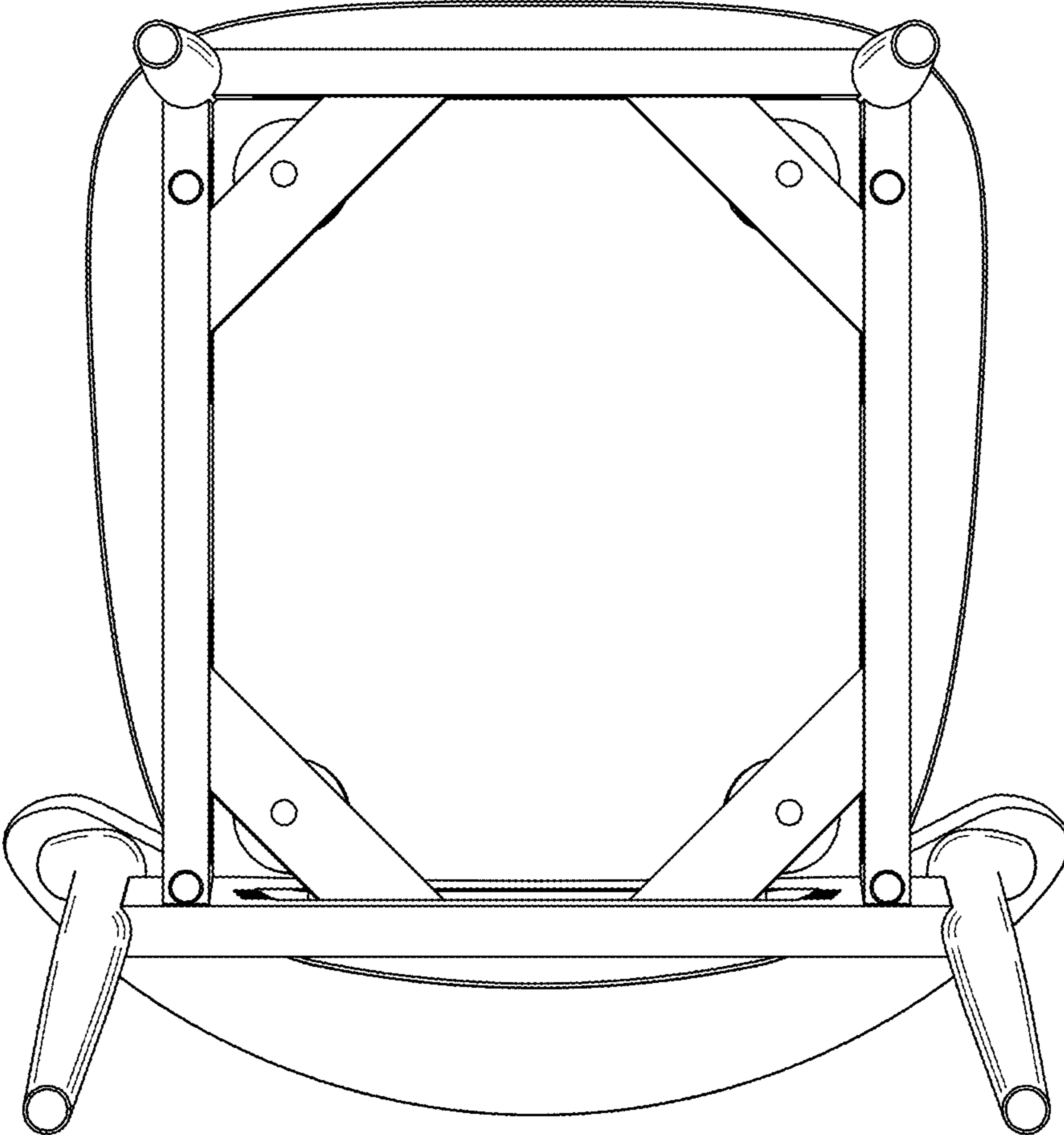


FIG. 12