



US00D894625S

(12) **United States Design Patent**
Mao

(10) **Patent No.:** **US D894,625 S**

(45) **Date of Patent:** **** Sep. 1, 2020**

- (54) **SOFA**
- (71) Applicant: **Jiangxi Kaixiu Industrial and Trading Co., Ltd, Yichun (CN)**
- (72) Inventor: **Ting Mao, Yichun (CN)**
- (**) Term: **15 Years**
- (21) Appl. No.: **29/692,982**
- (22) Filed: **May 30, 2019**
- (51) **LOC (12) Cl.** **06-01**
- (52) **U.S. Cl.**
USPC **D6/361**
- (58) **Field of Classification Search**
USPC D6/334, 349, 360, 362, 374–377, 379,
D6/381, 716, 716.1, 719.3
CPC .. A47C 1/00; A47C 1/02; A47C 1/024; A47C
1/028; A47C 1/037; A47C 3/00; A47C
3/04; A47C 3/14; A47C 3/20; A47C
7/002; A47C 7/16; A47C 7/18; A47C
4/04; A47C 4/08; A47C 4/18; A47C 4/28;
A47C 4/54; A47C 11/00; A47C 9/007;
A47C 13/00; A47C 15/002; A47C 17/02;
A47C 31/11
See application file for complete search history.

- (56) **References Cited**
U.S. PATENT DOCUMENTS
3,584,914 A * 6/1971 Williams A47C 4/54
297/452.41
D226,997 S * 5/1973 Oliver D6/334

- D240,480 S * 7/1976 Marks D6/377
- D361,215 S * 8/1995 Honeycutt, Sr. D6/381
- D764,823 S * 8/2016 Oomen D6/361
- D783,300 S * 4/2017 Pinholster, Jr. D6/361
- D804,208 S * 12/2017 Lam D6/361
- D808,186 S * 1/2018 Oomen D6/361
- D809,312 S * 2/2018 Cai D6/361
- D819,993 S * 6/2018 Yang D6/361
- D819,994 S * 6/2018 Yang D6/361
- D837,552 S * 1/2019 Schnermann D6/361
- D866,210 S * 11/2019 Zhu D6/361
- 2018/0317657 A1 * 11/2018 Yang A47C 3/16

* cited by examiner

Primary Examiner — R. Johnson

(74) *Attorney, Agent, or Firm* — ZANIP

(57) **CLAIM**

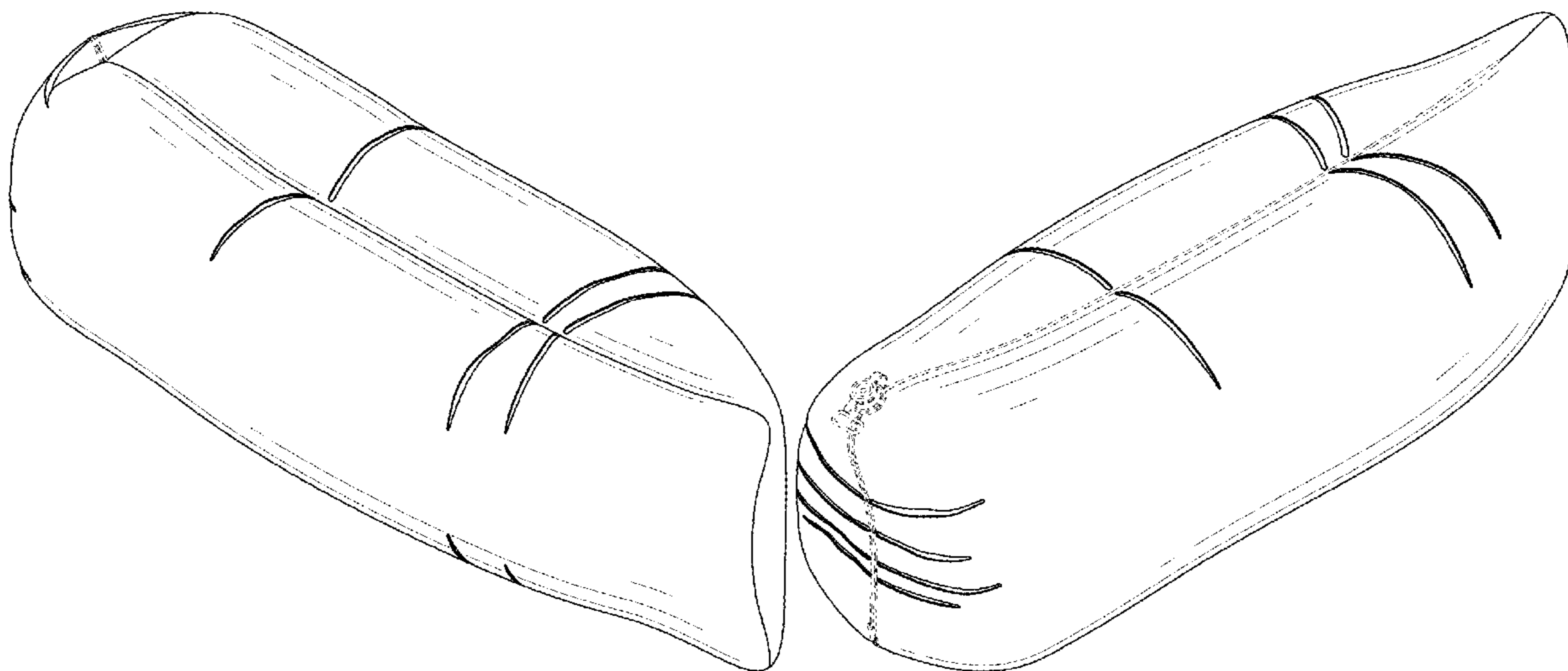
The ornamental design for a sofa, as shown and described.

DESCRIPTION

FIG. 1 is a first perspective view of a sofa showing my design;
 FIG. 2 is a second perspective view thereof;
 FIG. 3 is a front view thereof;
 FIG. 4 is a back view thereof;
 FIG. 5 is a left side view thereof;
 FIG. 6 is a right side view thereof;
 FIG. 7 is a top view thereof; and,
 FIG. 8 is a bottom view thereof.

The broken lines shown in the drawings depict portions of the sofa in which the design is embodied that form no part of the claimed design.

1 Claim, 8 Drawing Sheets



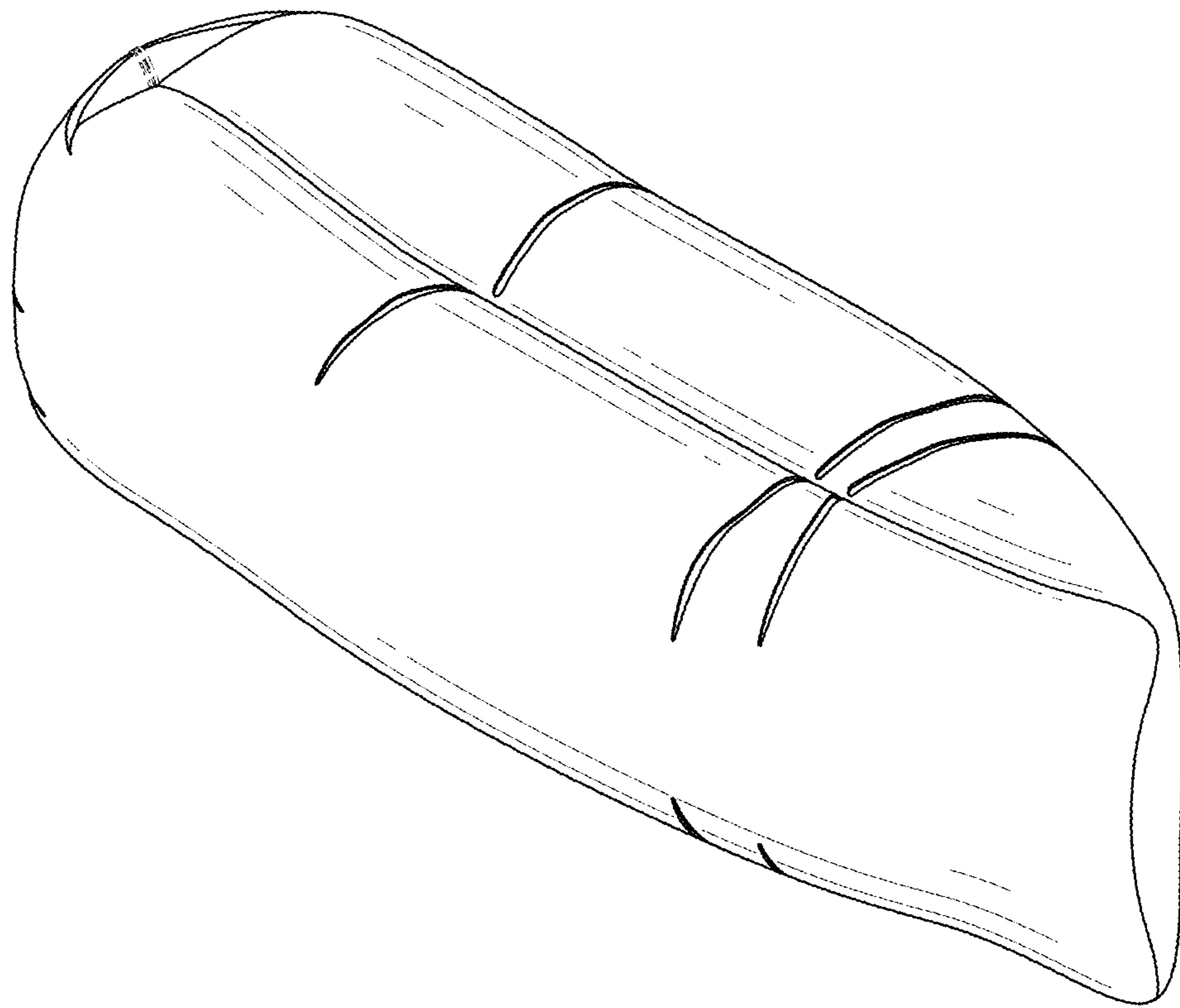


FIG. 1

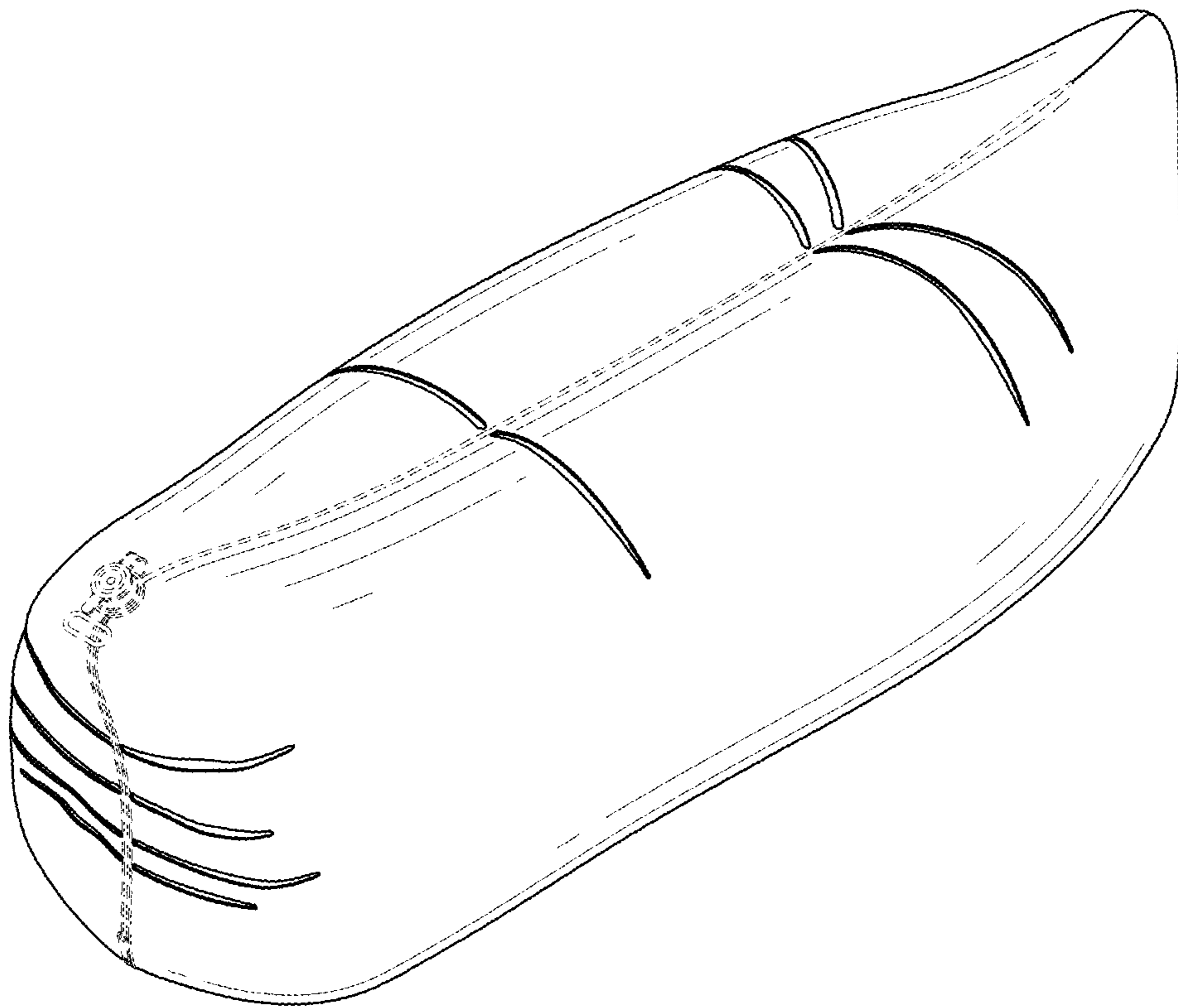


FIG. 2

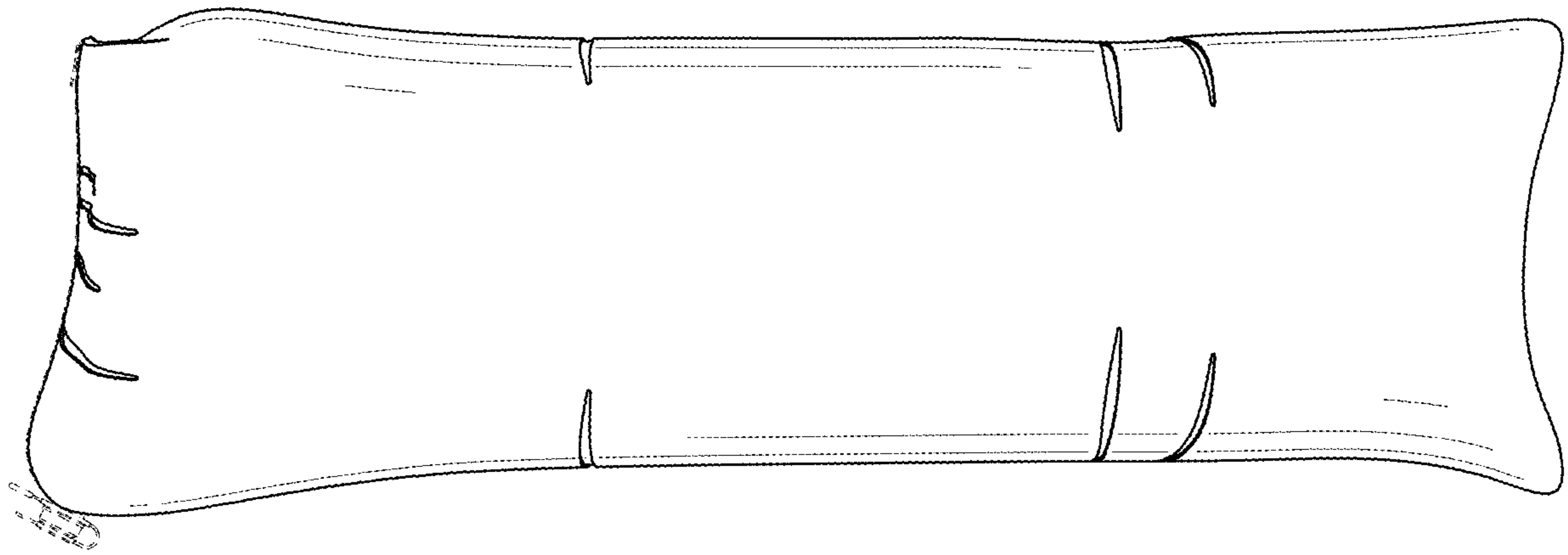


FIG. 3

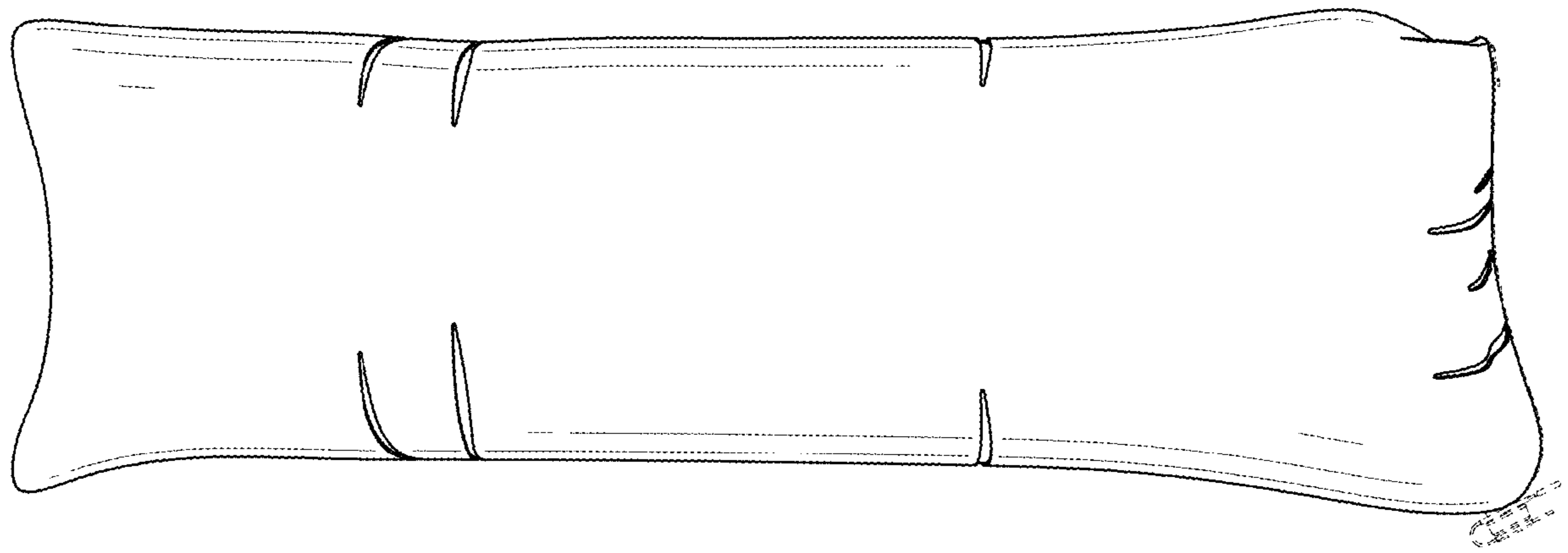


FIG. 4

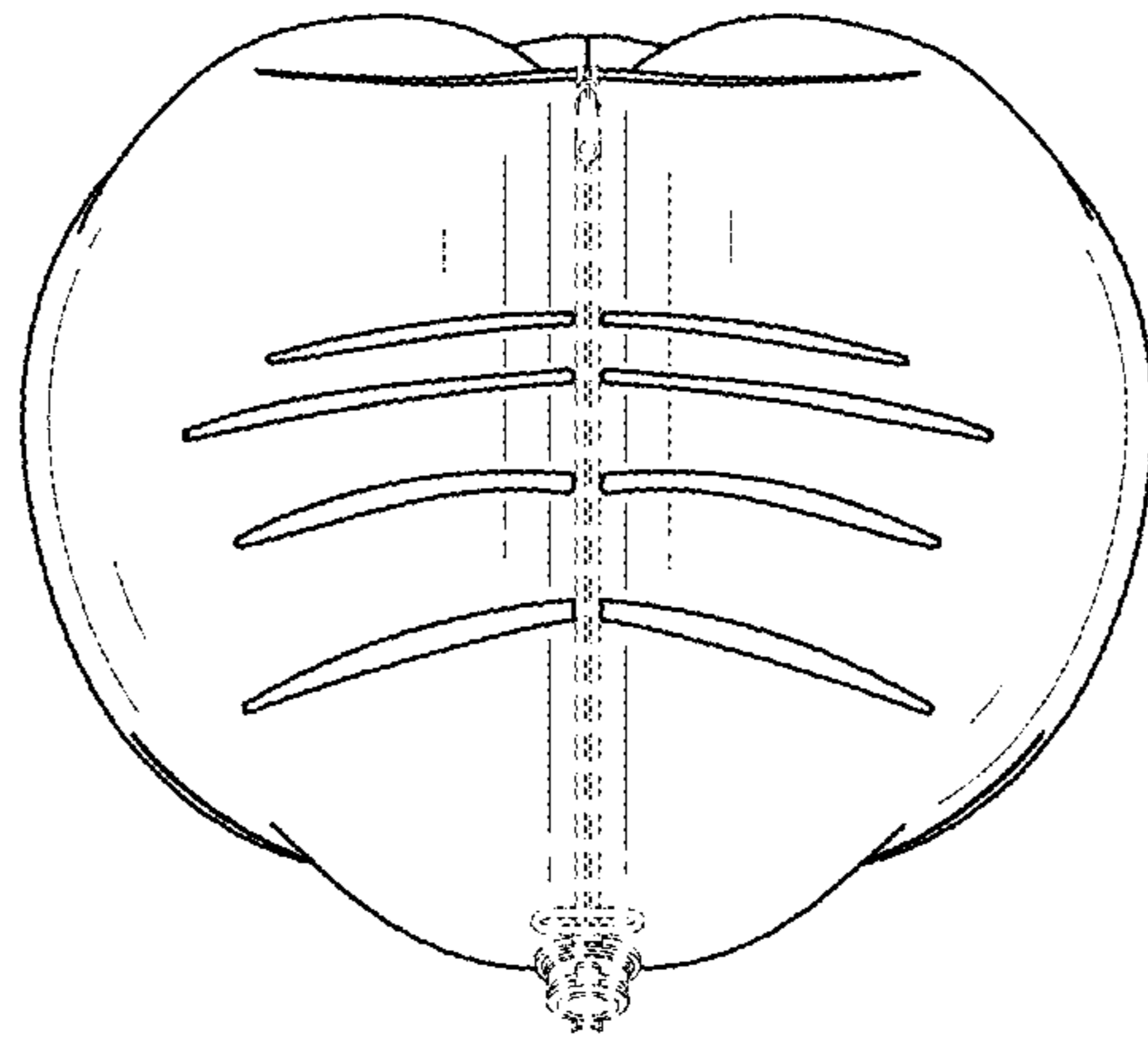


FIG. 5

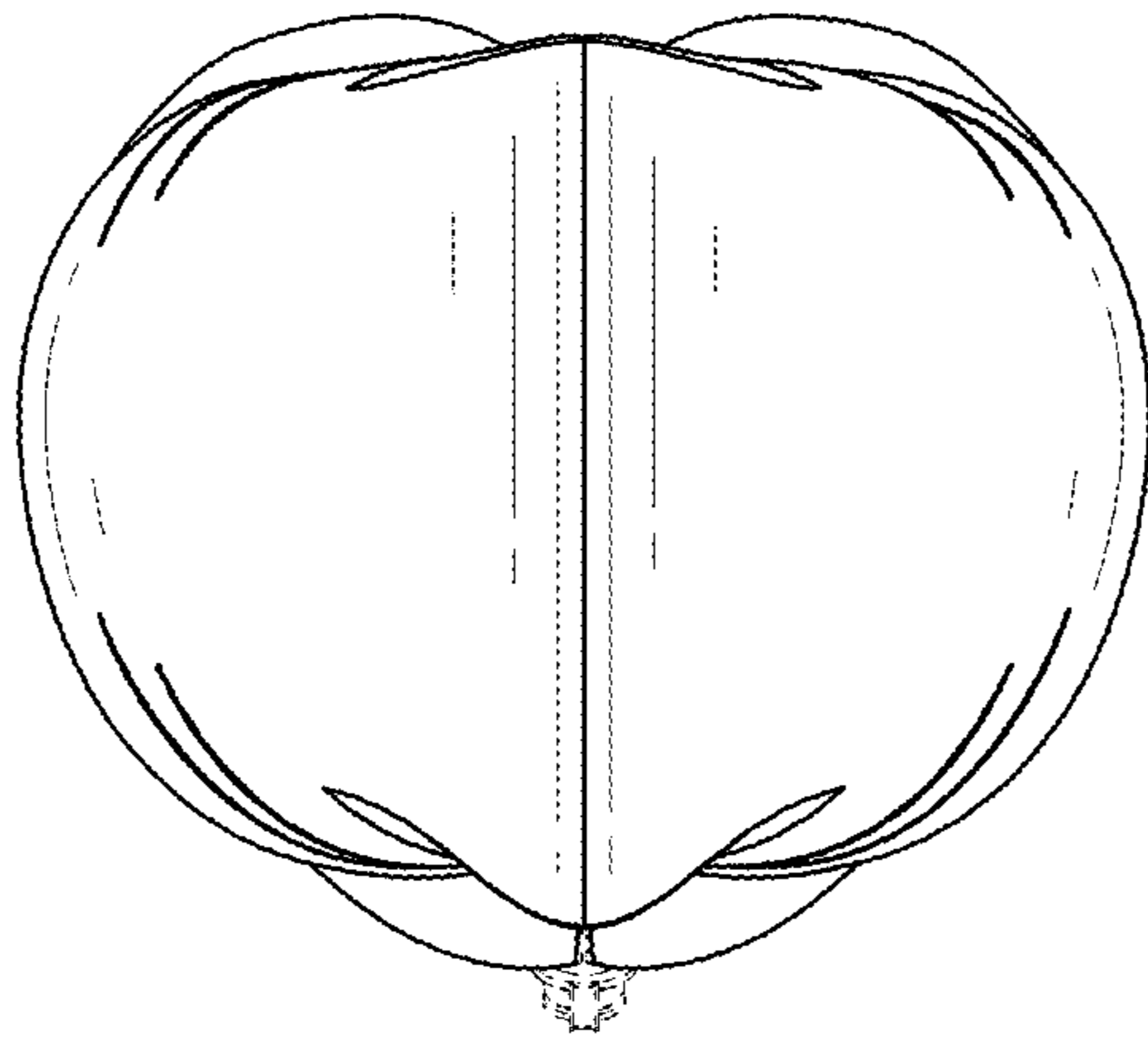


FIG. 6

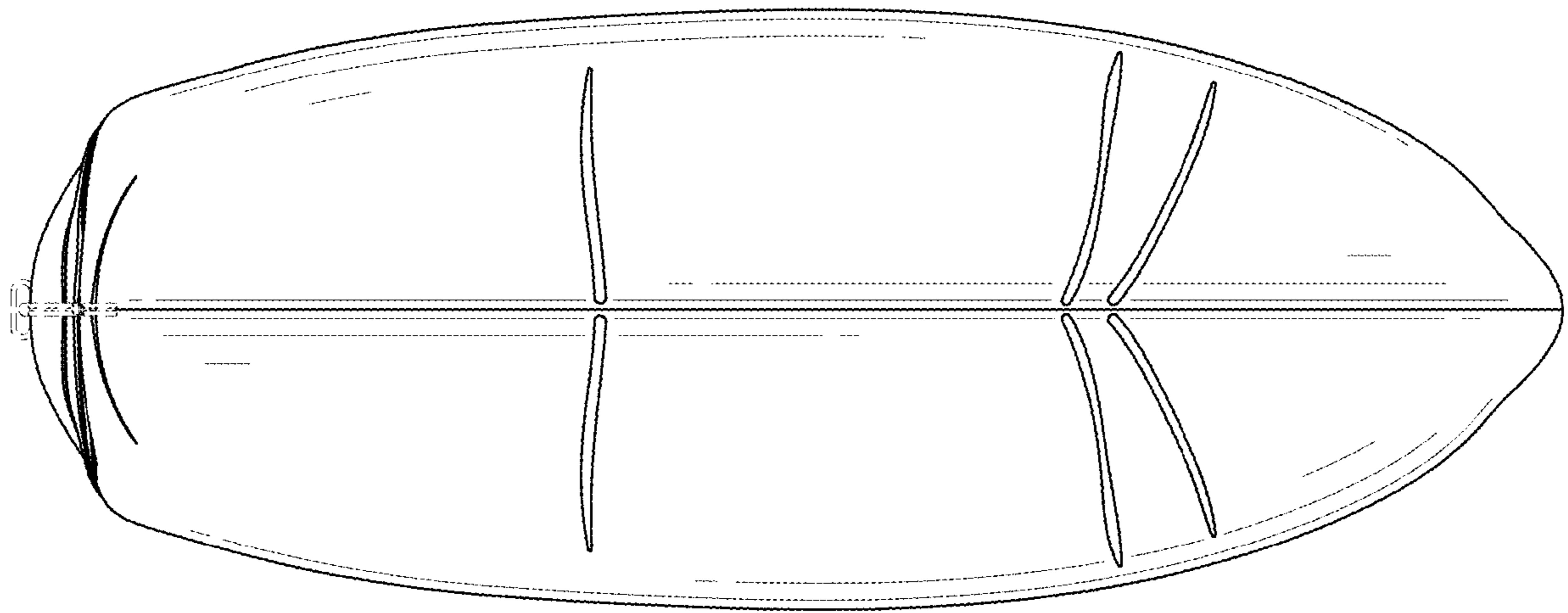


FIG. 7

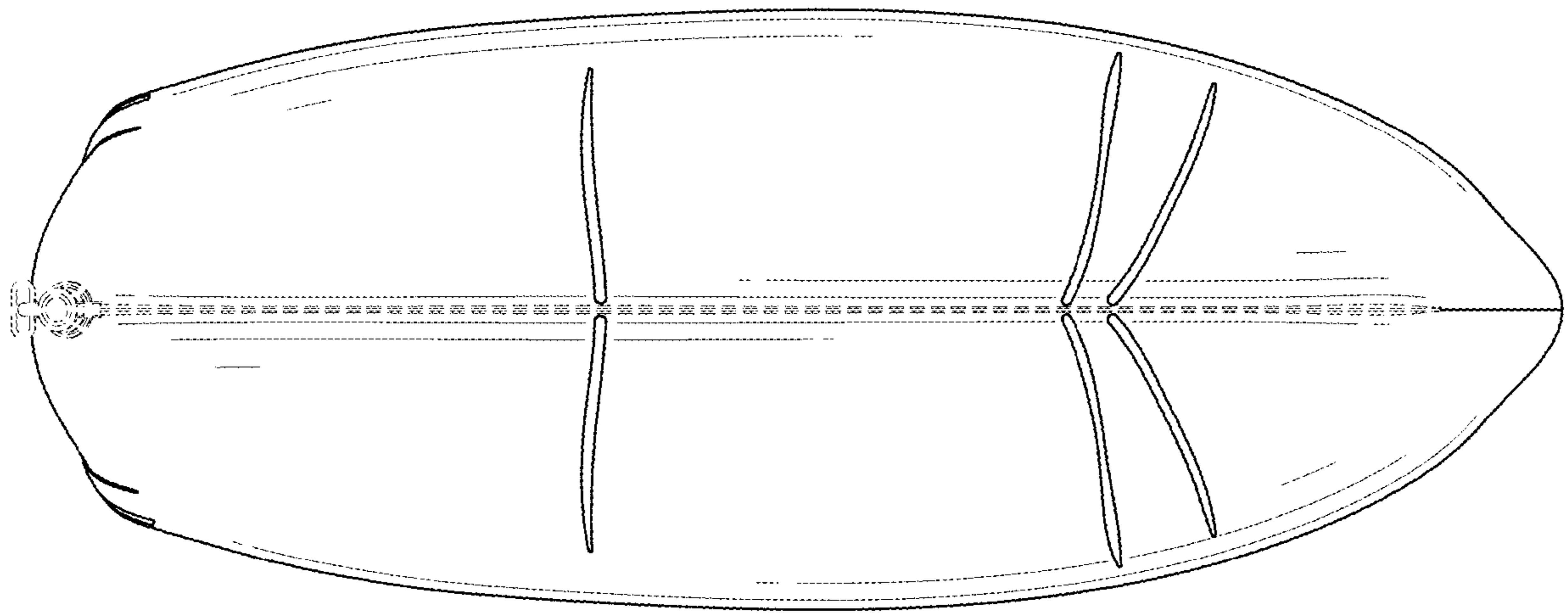


FIG. 8