



US00D894624S

(12) **United States Design Patent** (10) **Patent No.:** **US D894,624 S**
Gfesser et al. (45) **Date of Patent:** **** Sep. 1, 2020**

(54) **COUNTER STOOL BASE HAVING WOOD LEGS**

Primary Examiner — Kevin K Rudzinski
Assistant Examiner — Paul D Bohannon
(74) *Attorney, Agent, or Firm* — Erickson Law Group, PC

(71) Applicant: **Trendler Inc.**, Chicago, IL (US)

(72) Inventors: **Martin F. Gfesser**, Glen Ellyn, IL (US); **Stefan A. Gfesser**, Schaumburg, IL (US)

(57) **CLAIM**

The ornamental design for a counter stool base having wood legs, as shown and described.

(73) Assignee: **Trendler, Inc.**, Chicago, IL (US)

(**) Term: **15 Years**

DESCRIPTION

(21) Appl. No.: **29/645,650**

(22) Filed: **Apr. 27, 2018**

(51) **LOC (12) Cl.** **06-01**

(52) **U.S. Cl.**
USPC **D6/360**

(58) **Field of Classification Search**
USPC D6/334, 341, 349, 350, 352, 353, 360,
D6/364, 369, 370, 373, 374, 375, 380,
D6/677, 692, 700, 708, 708.16, 716, 351
CPC A47C 3/34; A47C 7/506; A47C 9/007;
A47C 13/023; A47C 4/028; A47C 4/02;
A47C 7/004; A47D 1/00
See application file for complete search history.

FIG. 1 is a perspective view of a counter stool base having wood legs of the invention, where the wood legs extend below top caps.
FIG. 2 is a front side view of the counter stool base of FIG. 1.
FIG. 3 is a back view of the counter stool base of FIG. 1.
FIG. 4 is a left side view of the counter stool base of FIG. 1.
FIG. 5 is a right side view of the counter stool base of FIG. 1.
FIG. 6 is a top view of the counter stool base of FIG. 1.
FIG. 7 is a bottom view of the counter stool base of FIG. 1.
FIG. 8 is a perspective view of a second embodiment counter stool base having wood legs, where wood line shading of the legs is shown to identify the wood legs extending below top caps. The front, back, left, right, top, and bottom views of the second embodiment are identical to those shown in FIGS. 2 through 7 except with the wood appearance of the legs shown with wood line shading as shown in FIG. 8 applied; and,
FIG. 9 a right side view of the counter stool base of FIG. 1, a seat shown in broken lines, and a human person shown sitting on the seat.

(56) **References Cited**

U.S. PATENT DOCUMENTS

72,635 A	12/1867	Heywood	
275,384 A	4/1883	Howe	
300,921 A	6/1884	Walter	
D126,270 S *	4/1941	Panzer	D6/352
2,525,670 A *	10/1950	Hamilton	A47C 7/26 5/402

(Continued)

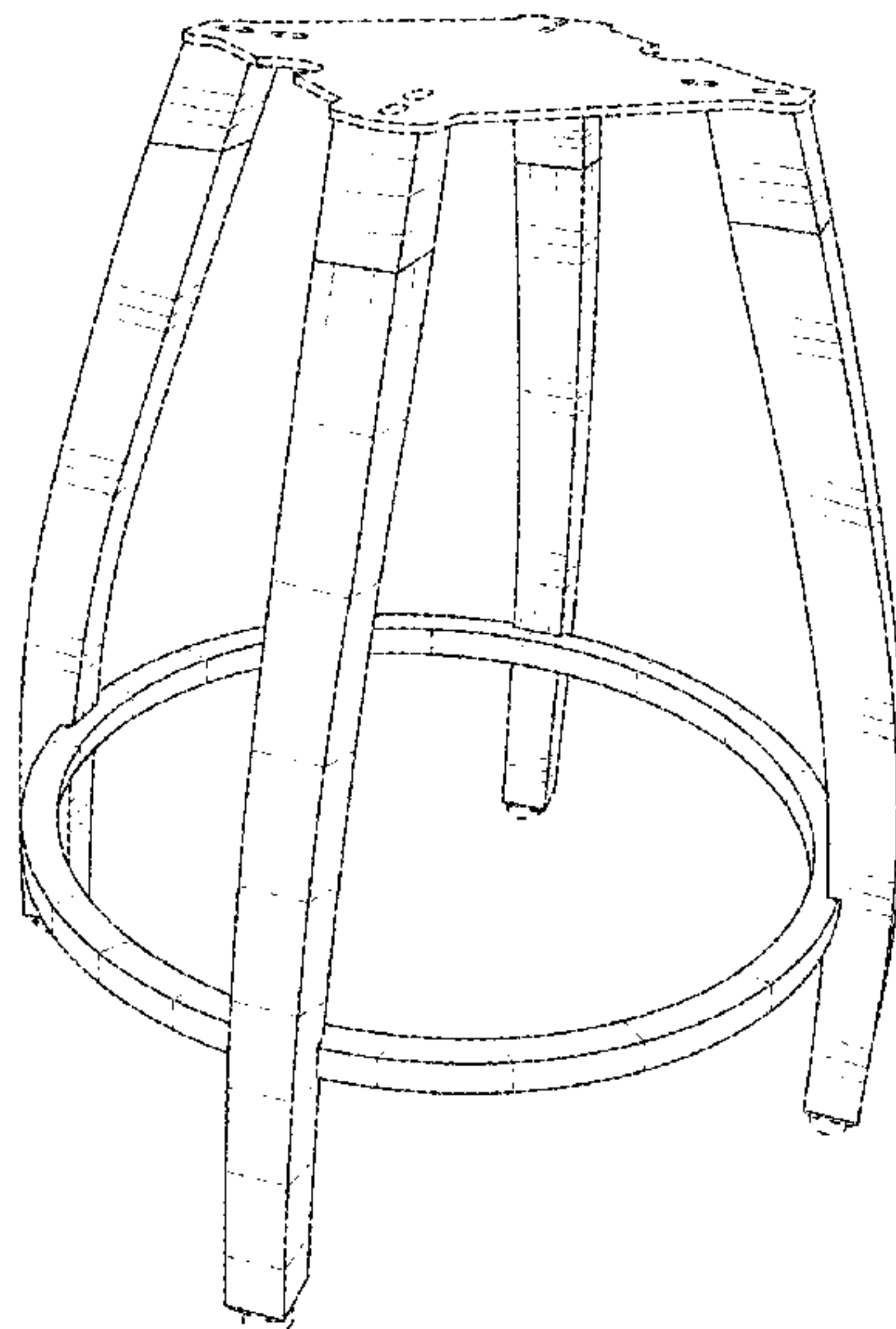
OTHER PUBLICATIONS

IDS Exhibit 1: a photo of bar stool having completely metal legs.

(Continued)

The broken lines of the counter stool base of FIGS. 1-9 are for the purpose illustrating unclaimed portions of the counter stool base and form no part of the claimed design. The portions of the human person and the seat in FIG. 9 are not part of the claimed design.

1 Claim, 9 Drawing Sheets



(56)

References Cited

U.S. PATENT DOCUMENTS

D232,880 S * 9/1974 Samhammer D6/352
D294,434 S * 3/1988 Zakharov D6/360
4,998,774 A * 3/1991 Huff A47C 9/007
297/452.41
D427,812 S 7/2000 Donnelly
D438,025 S * 2/2001 Lopez D6/349
D447,365 S 9/2001 Chi
D451,711 S 12/2001 O'Hare
D467,742 S * 12/2002 de Blois D6/349
6,749,265 B1 6/2004 Wang
D530,944 S 10/2006 Samuel
D535,828 S * 1/2007 Gasca Burges D6/349
D579,676 S 11/2008 Rheault
D713,157 S 9/2014 Carrier
D719,749 S 12/2014 Hernandez
9,254,041 B2 2/2016 Kessler
D778,654 S 2/2017 Gfesser
D800,465 S * 10/2017 Ono D6/360
D800,466 S * 10/2017 Ono D6/360
D819,990 S * 6/2018 Ono D6/352
D820,611 S * 6/2018 Ono D6/352
D824,682 S * 8/2018 Zanayed D6/352
2008/0001462 A1 1/2008 Holland
2011/0316313 A1 12/2011 Gasser
2012/0100971 A1 * 4/2012 Chiu A63B 21/015
482/139

OTHER PUBLICATIONS

IDS Exhibit 2: a photo of rt counter stool having completely metal legs.

* cited by examiner

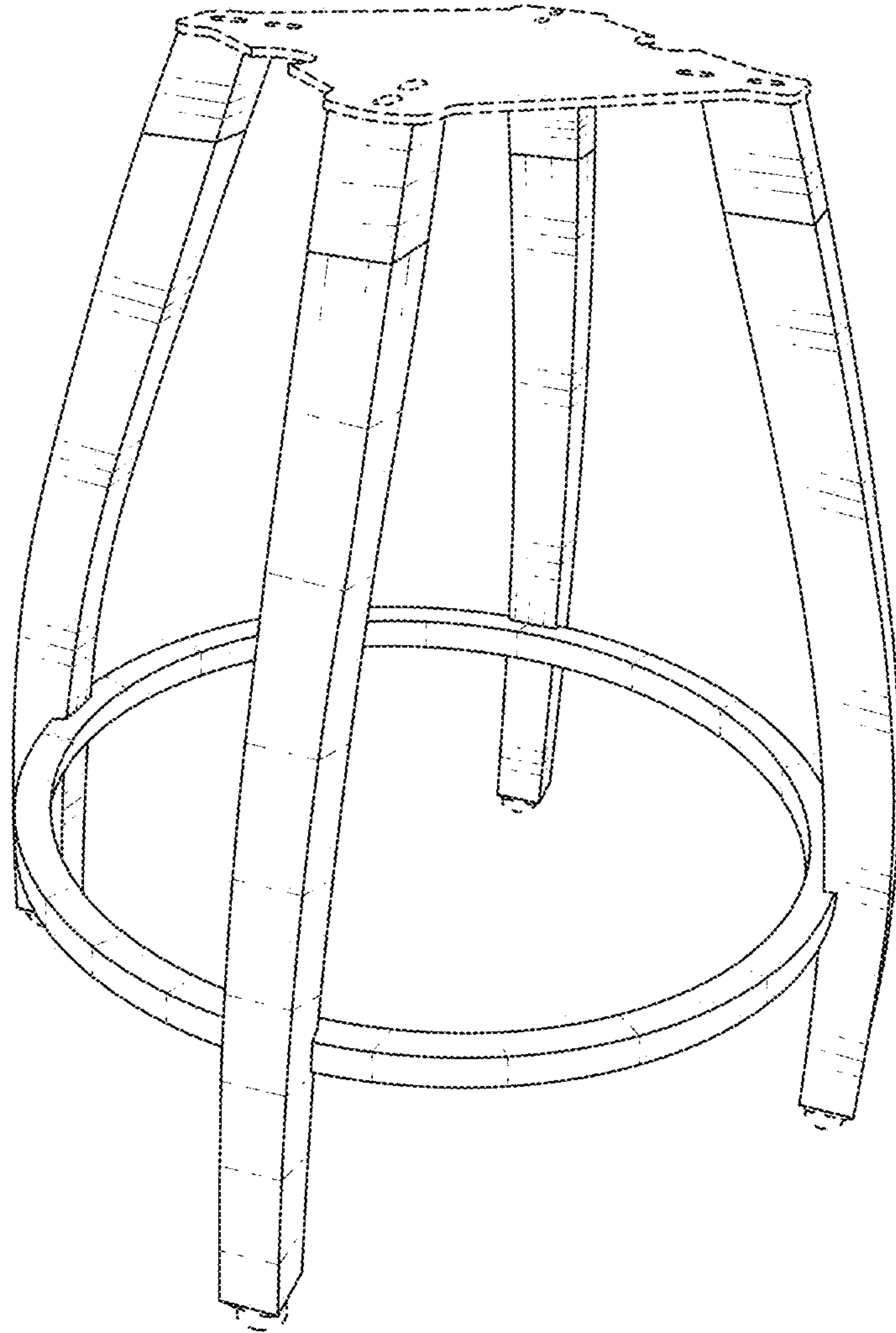


FIG. 1

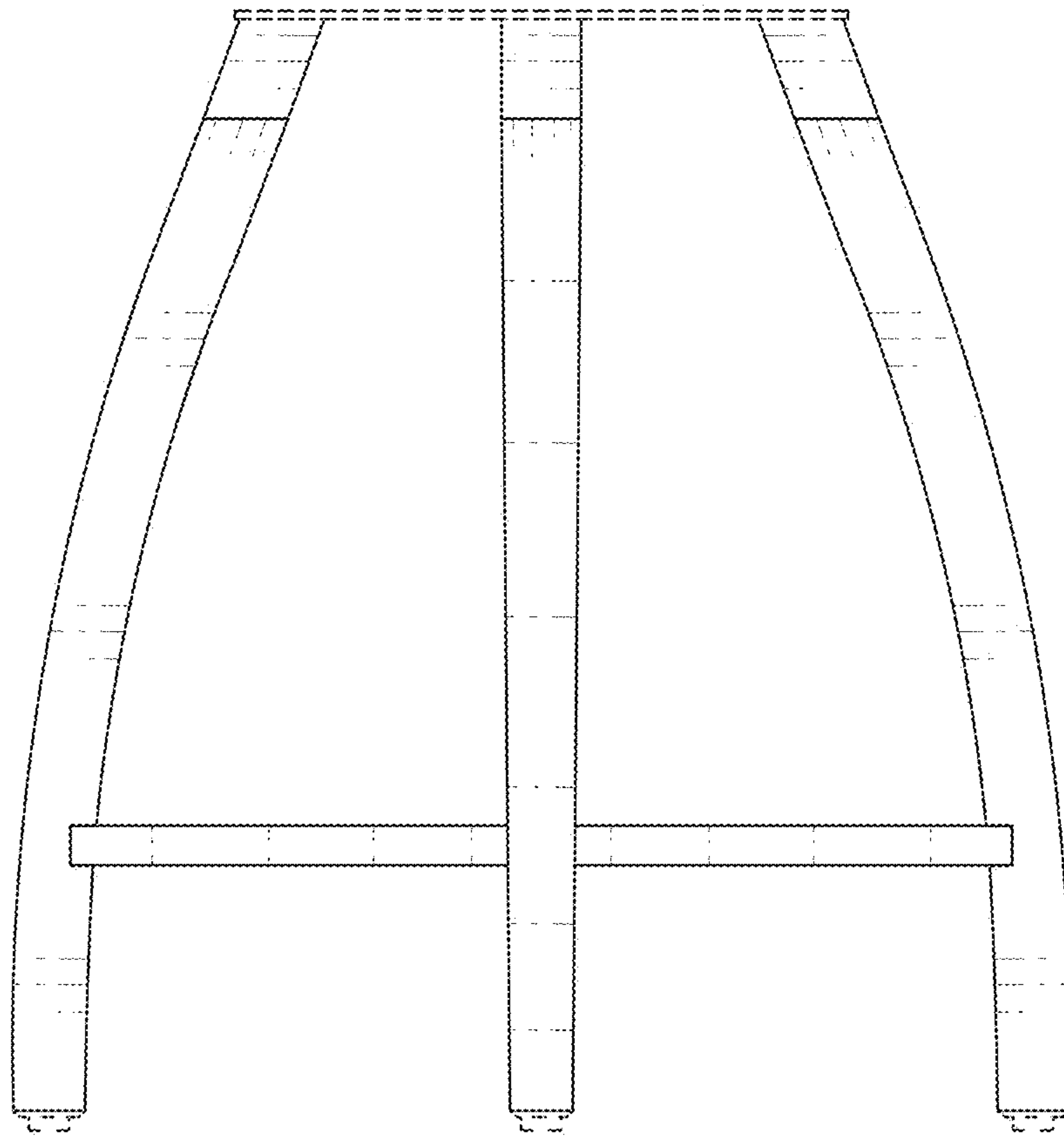


FIG. 2

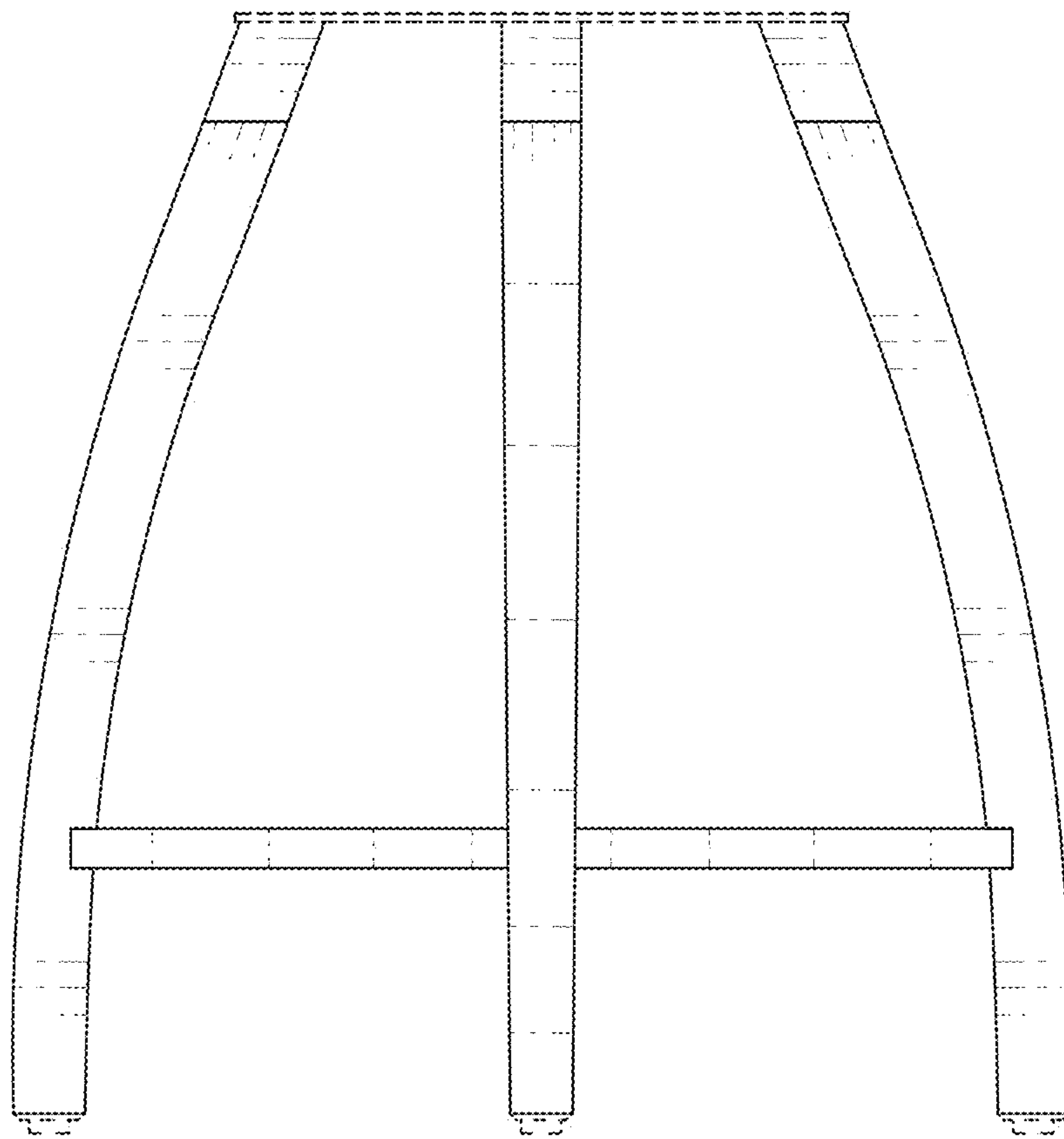


FIG. 3

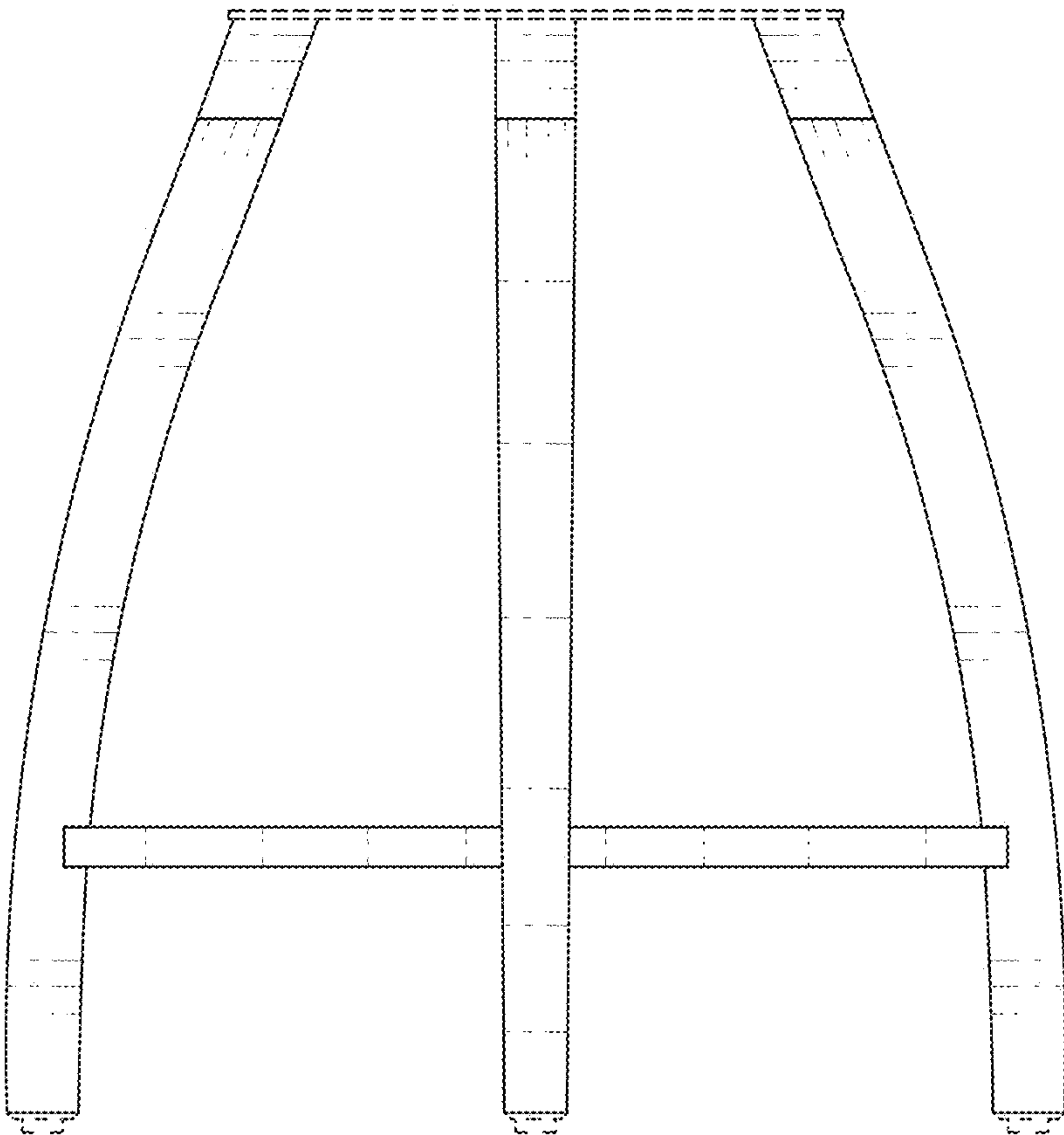


FIG. 4

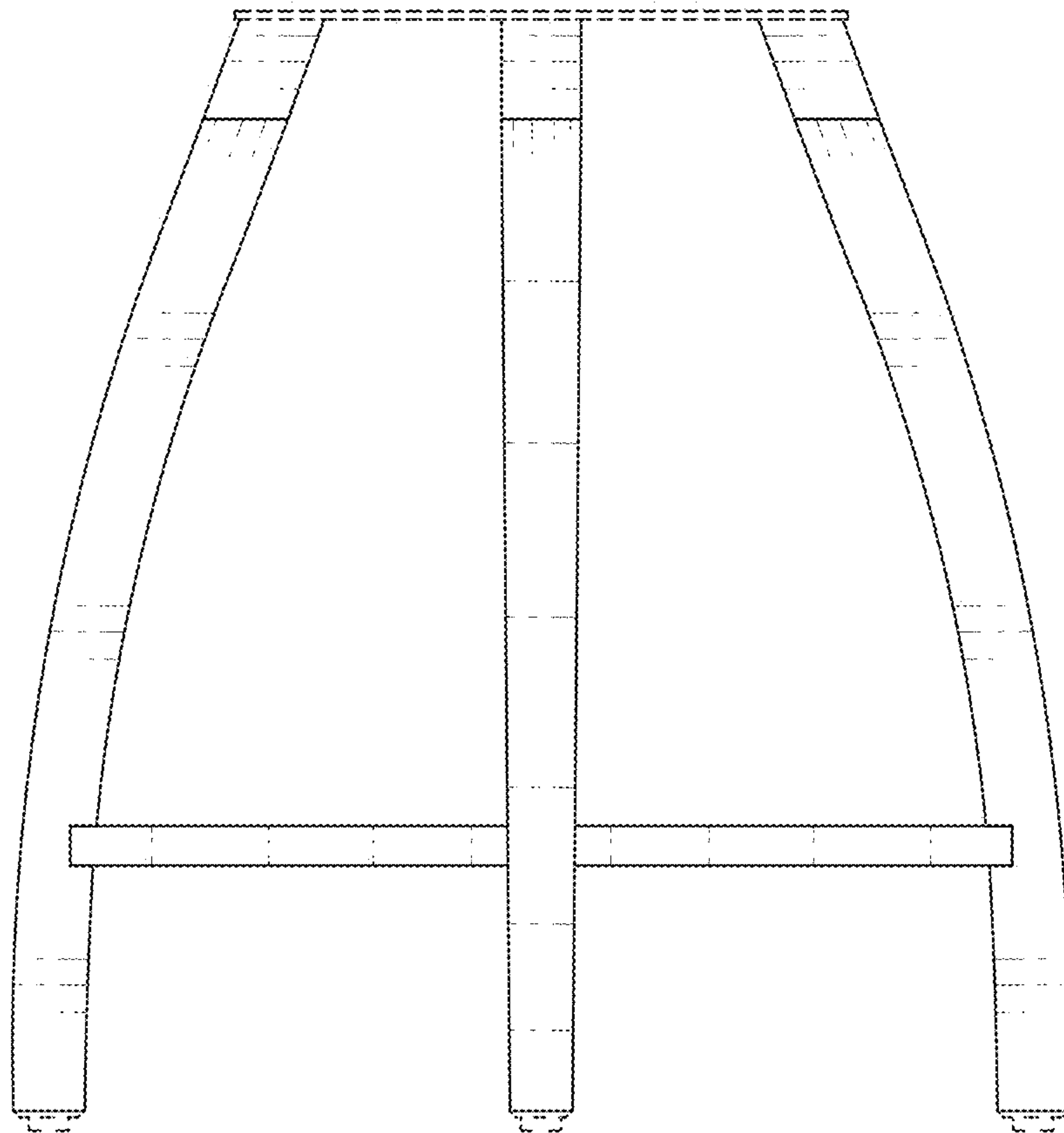


FIG. 5

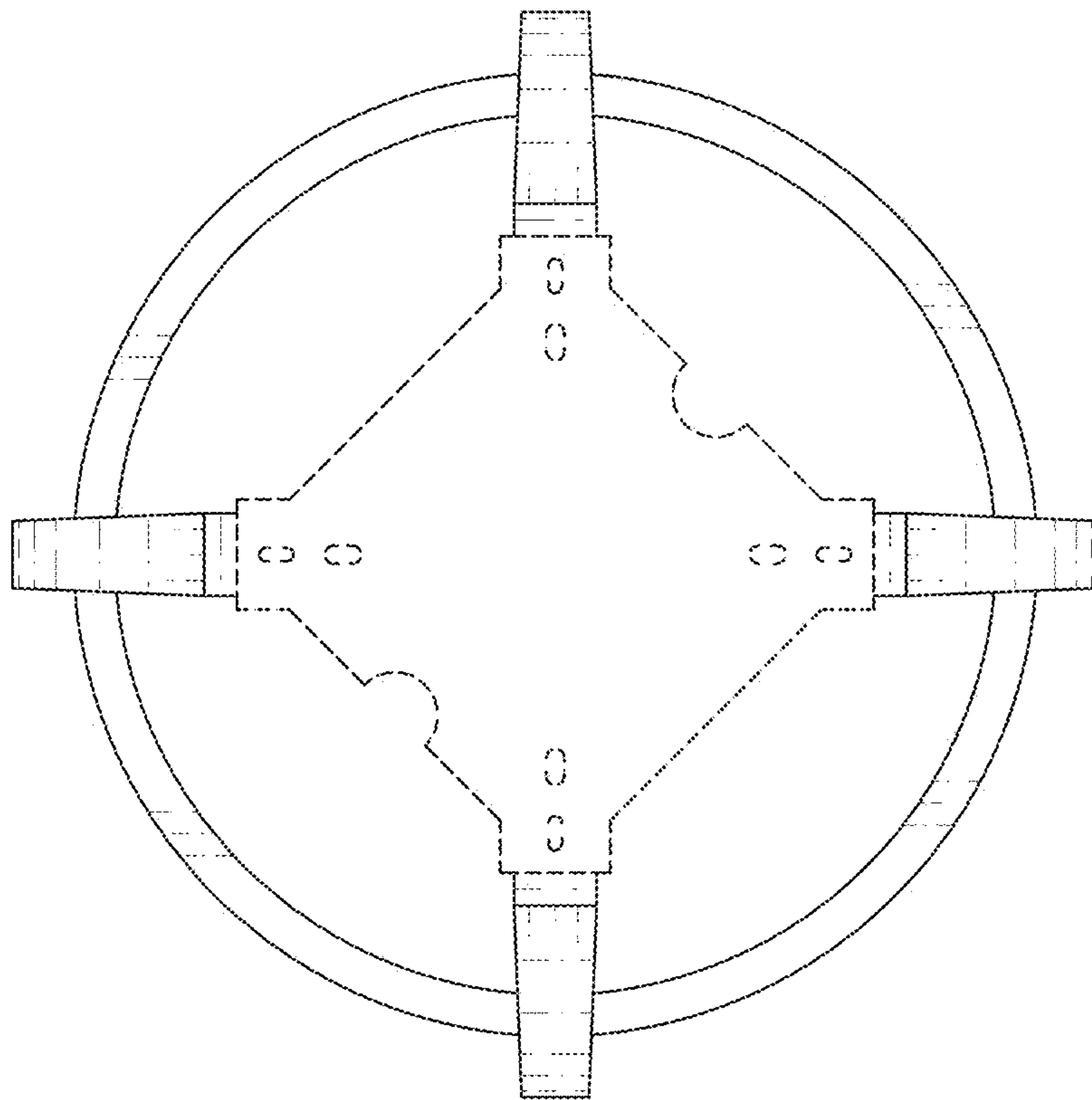


FIG. 6

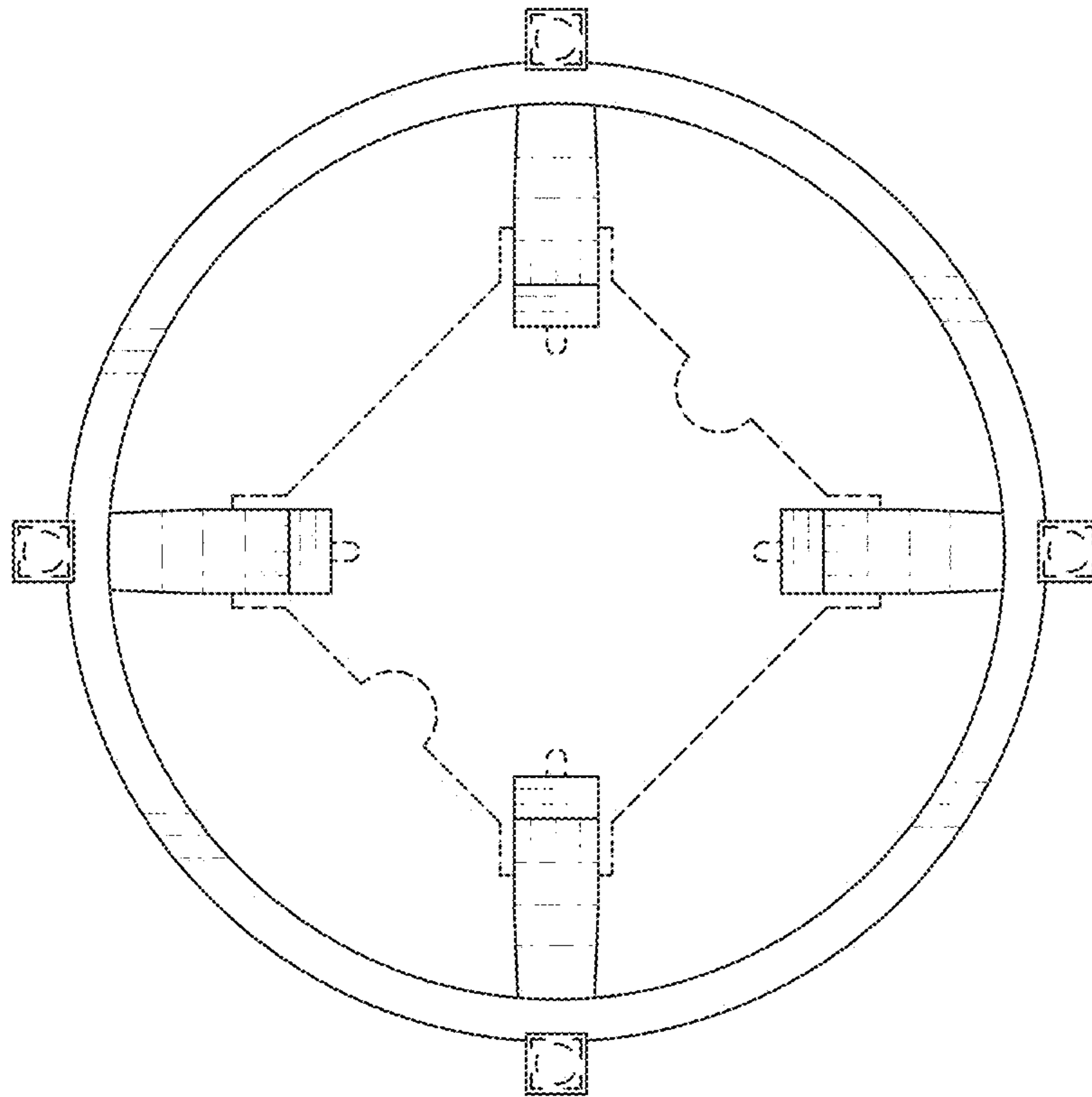


FIG. 7

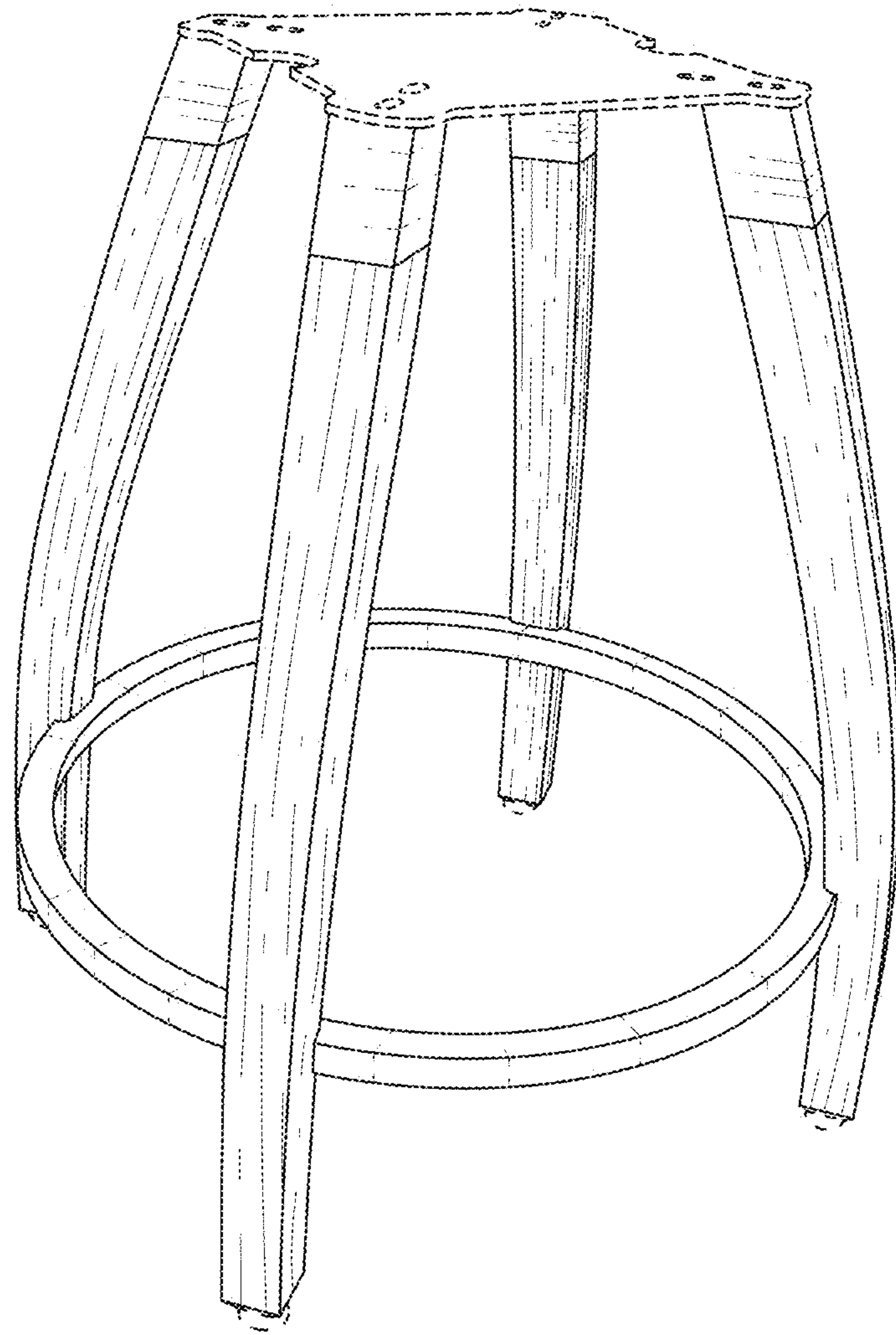


FIG. 8

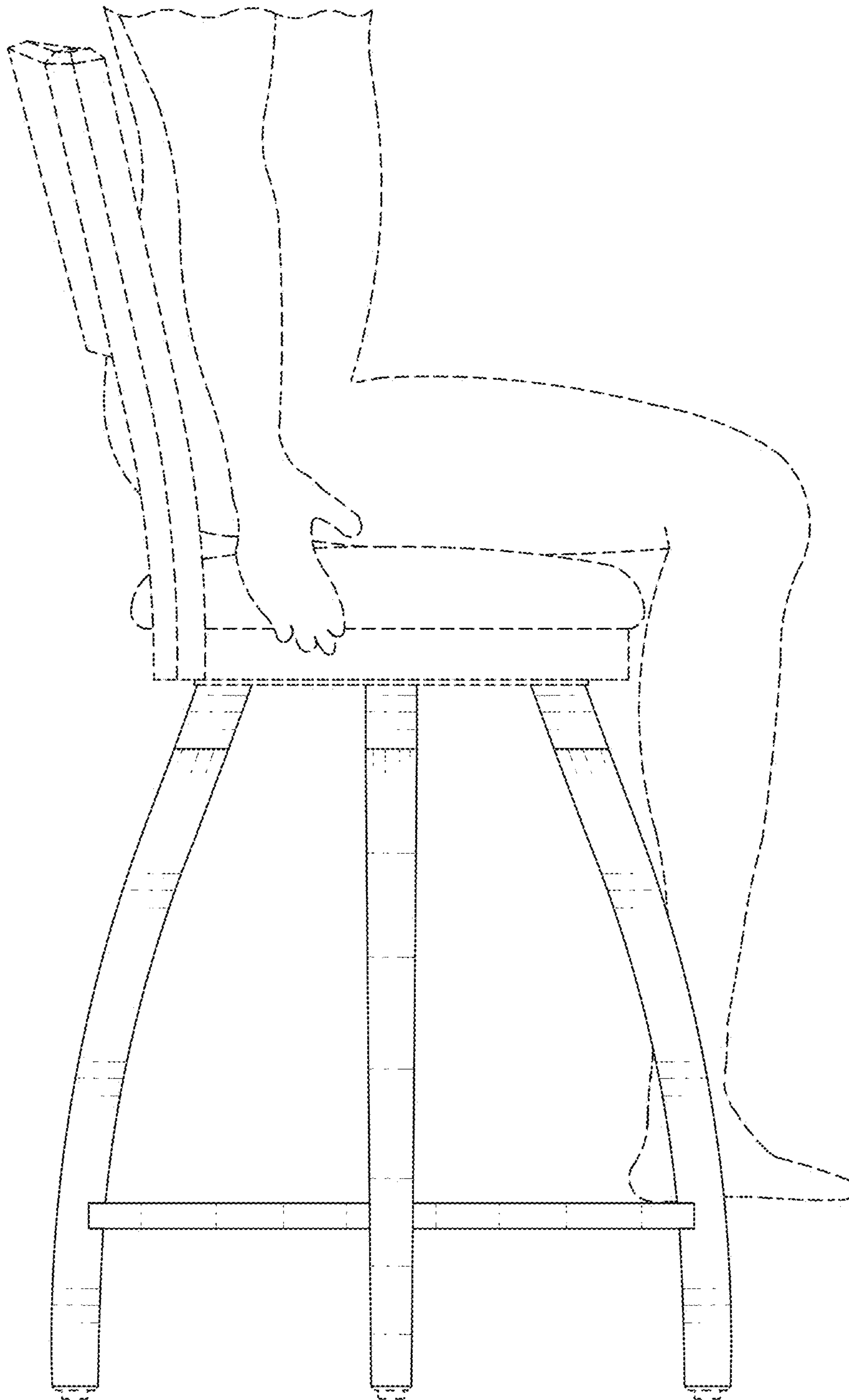


FIG. 9