



US00D894622S

(12) **United States Design Patent**
Suzuki

(10) **Patent No.:** **US D894,622 S**

(45) **Date of Patent:** **** Sep. 1, 2020**

(54) **SEAT**

(71) Applicant: **HONDA MOTOR CO., LTD.**, Tokyo (JP)

(72) Inventor: **Haruya Suzuki**, Tokyo (JP)

(73) Assignee: **HONDA MOTOR CO., LTD.**, Tokyo (JP)

(**) Term: **15 Years**

(21) Appl. No.: **29/700,227**

(22) Filed: **Jul. 31, 2019**

(51) **LOC (12) Cl.** **06-01**

(52) **U.S. Cl.**
USPC **D6/356**

(58) **Field of Classification Search**

USPC D6/334-336, 356, 367, 368, 374, 716, D6/716.1, 716.2, 716.3, 716.4

CPC A47C 7/18; A47C 7/40; B60N 2/20; B60N 2/22; B60N 2/222; B60N 2/64; B60N 2/643; B60N 2/646; B60N 2/686; B60N 2/80; B60N 2/803; B60N 2/986

See application file for complete search history.

(56) **References Cited**

U.S. PATENT DOCUMENTS

D723,821 S *	3/2015	Kondou	D6/356
D752,353 S *	3/2016	Owaku	D6/356
D808,185 S *	1/2018	Kondo	D6/356
D824,184 S *	7/2018	Willis	D6/356
D847,523 S *	5/2019	Tomasson	D6/356
D847,524 S *	5/2019	Tomasson	D6/356
10,538,181 B2 *	1/2020	Tsukamoto	B60N 2/686
D874,841 S *	2/2020	Moburg	D6/356

* cited by examiner

Primary Examiner — Mimosa De

(74) *Attorney, Agent, or Firm* — Arent Fox LLP

(57) **CLAIM**

The ornamental design for a seat, as shown and described.

DESCRIPTION

FIG. 1 is a rear left perspective view of a first embodiment of a seat showing my new design;
 FIG. 2 is a rear right perspective view of the design shown in FIG. 1;
 FIG. 3 is a front right perspective view of the design shown in FIG. 1;
 FIG. 4 is a front left perspective view of the design shown in FIG. 1;
 FIG. 5 is a rear view of the design shown in FIG. 1;
 FIG. 6 is a front view of the design shown in FIG. 1;
 FIG. 7 is a right side view of the design shown in FIG. 1;
 FIG. 8 is a left side view of the design shown in FIG. 1;
 FIG. 9 is a top view of the design shown in FIG. 1;
 FIG. 10 is a bottom view of the design shown in FIG. 1;
 FIG. 11 is a rear left perspective view of a second embodiment of a seat showing my new design;
 FIG. 12 is a rear right perspective view of the design shown in FIG. 11;
 FIG. 13 is a front right perspective view of the design shown in FIG. 11;
 FIG. 14 is a front left perspective view of the design shown in FIG. 11;
 FIG. 15 is a rear view of the design shown in FIG. 11;
 FIG. 16 is a front view of the design shown in FIG. 11;
 FIG. 17 is a right side view of the design shown in FIG. 11;
 FIG. 18 is a left side view of the design shown in FIG. 11;
 FIG. 19 is a top view of the design shown in FIG. 11; and,
 FIG. 20 is a bottom view of the design shown in FIG. 11.
 The broken lines shown in the figures are included for the purpose of illustrating portions of the seat and form no part of the claimed design.

1 Claim, 20 Drawing Sheets



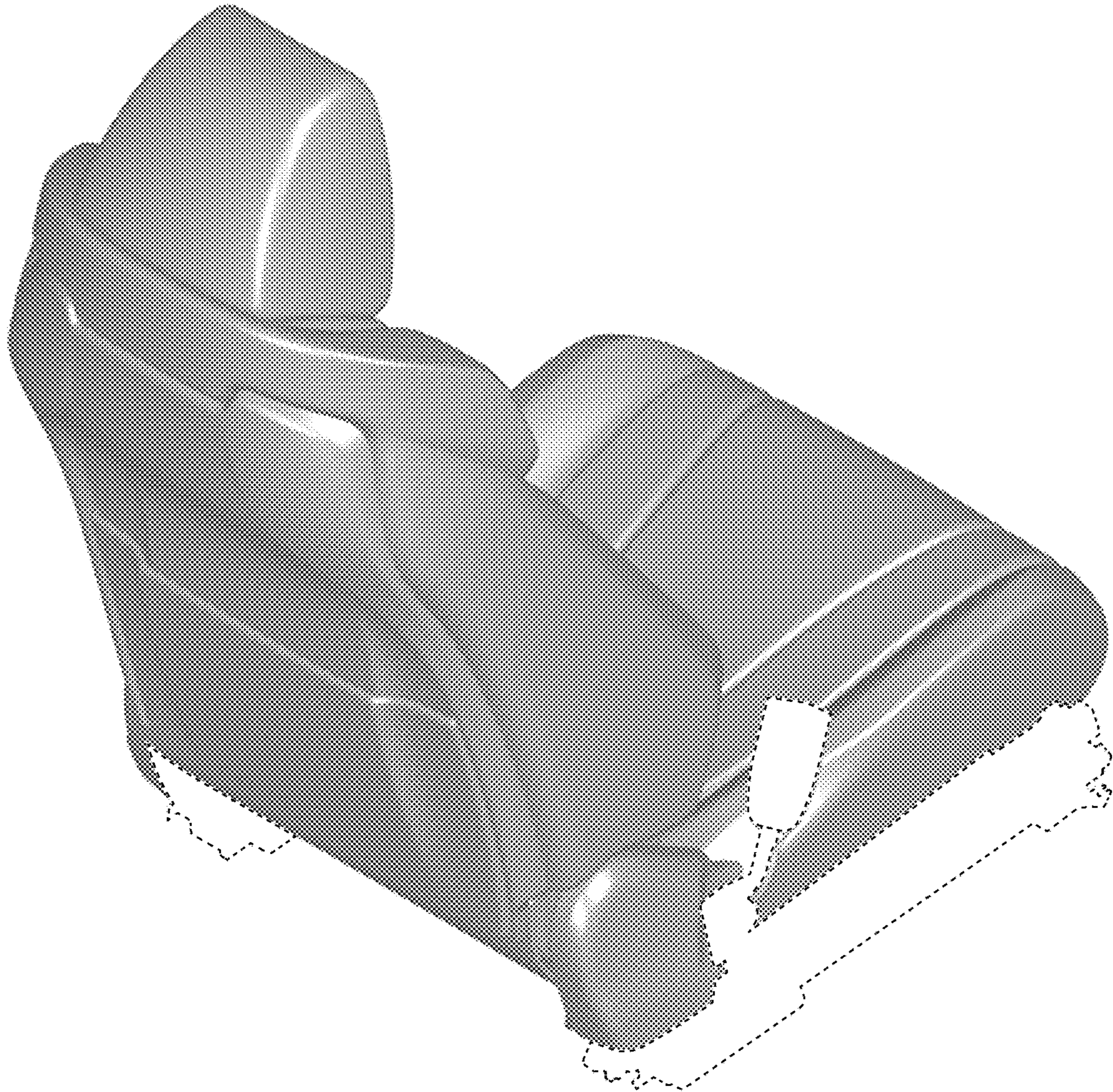


FIG. 1



FIG. 2



FIG. 3



FIG. 4

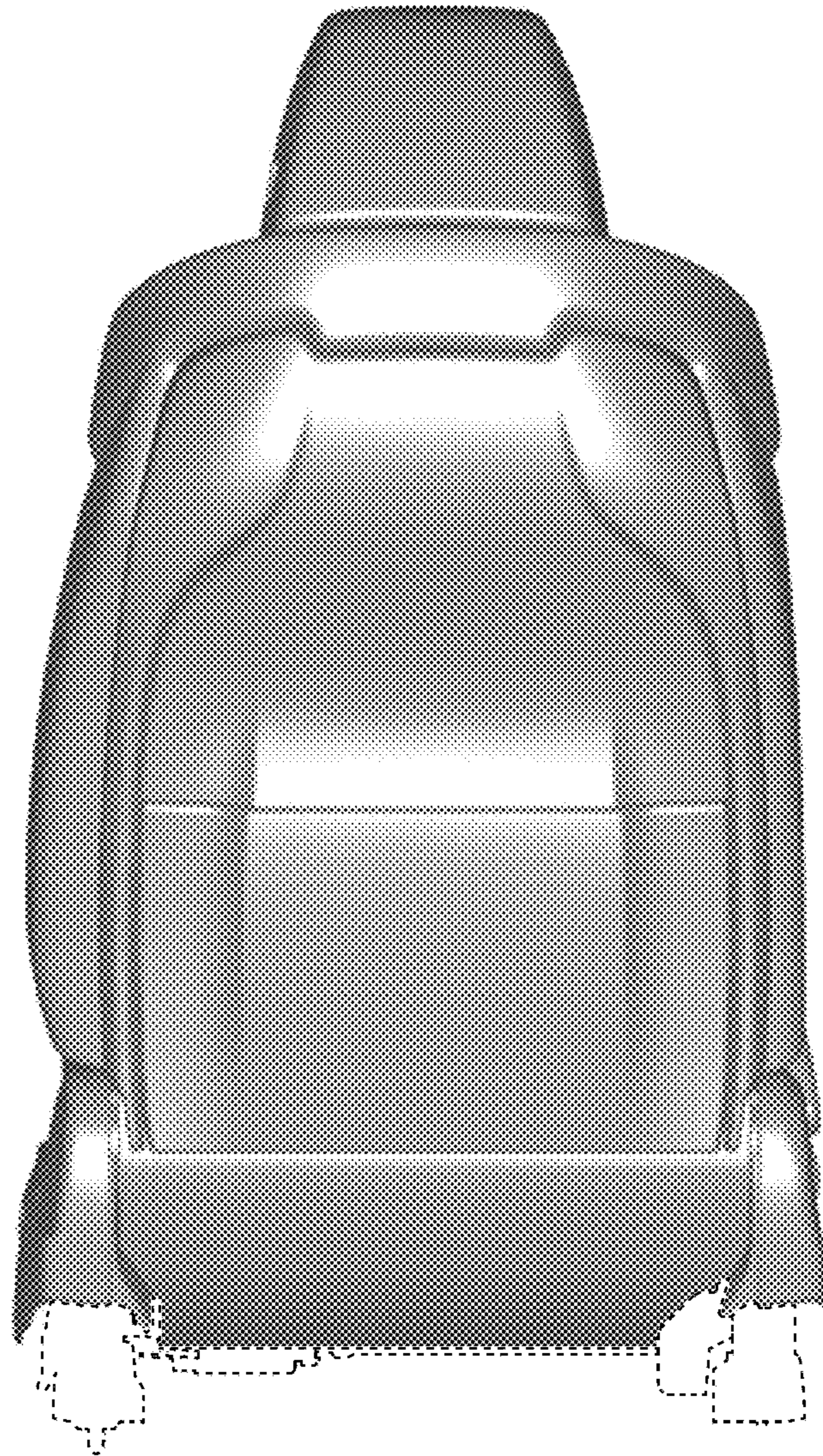


FIG. 5

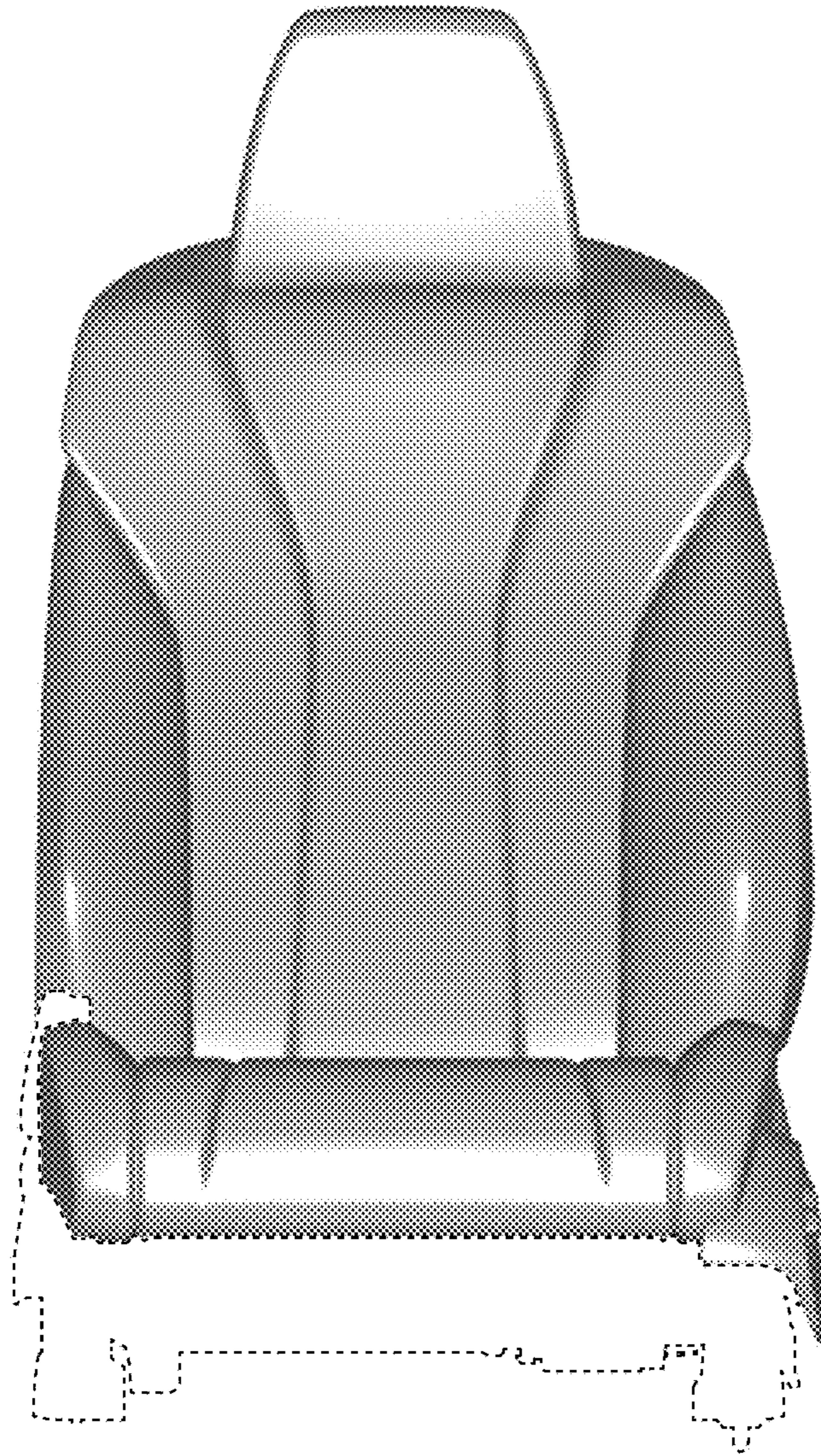


FIG. 6

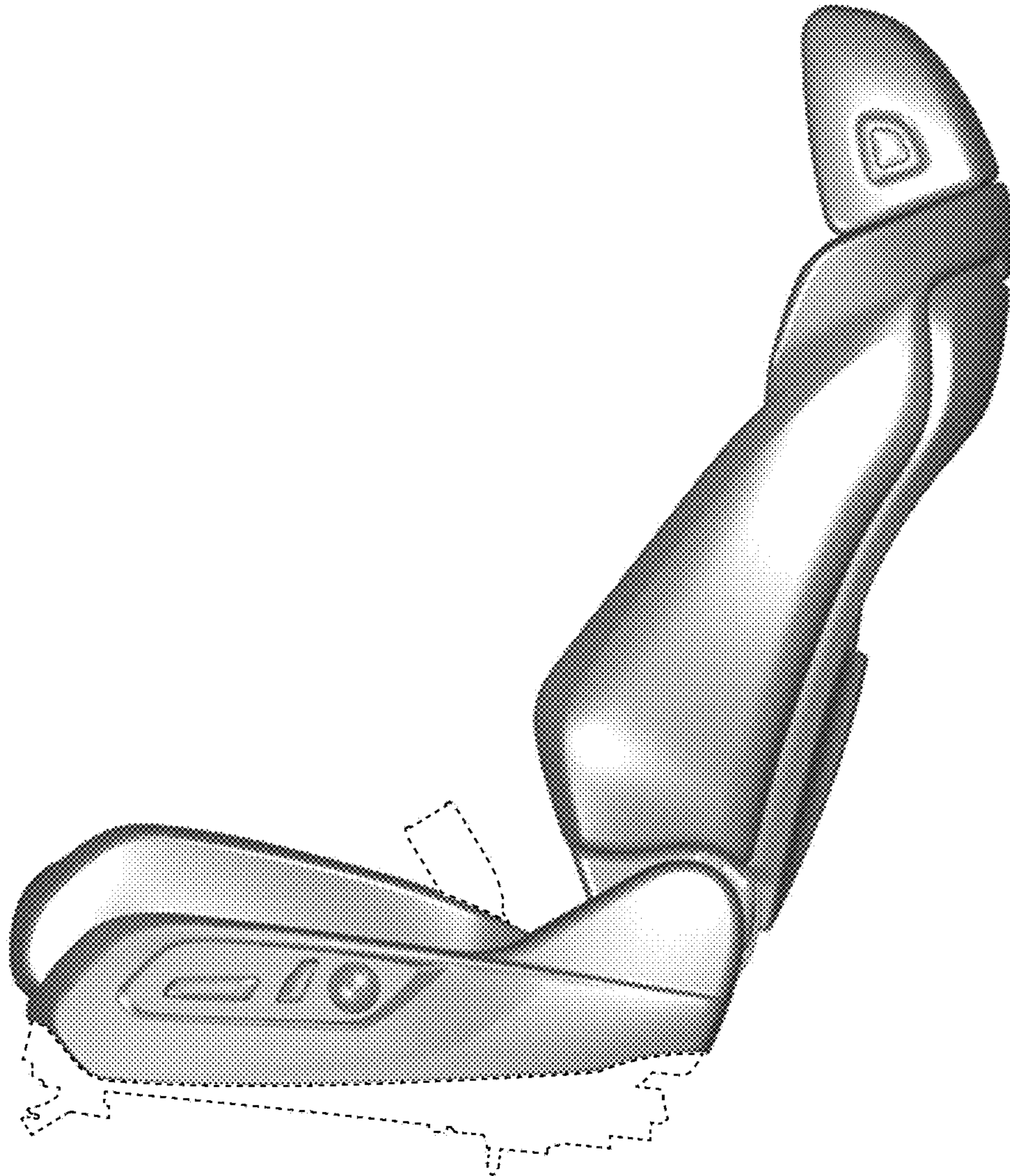


FIG. 7

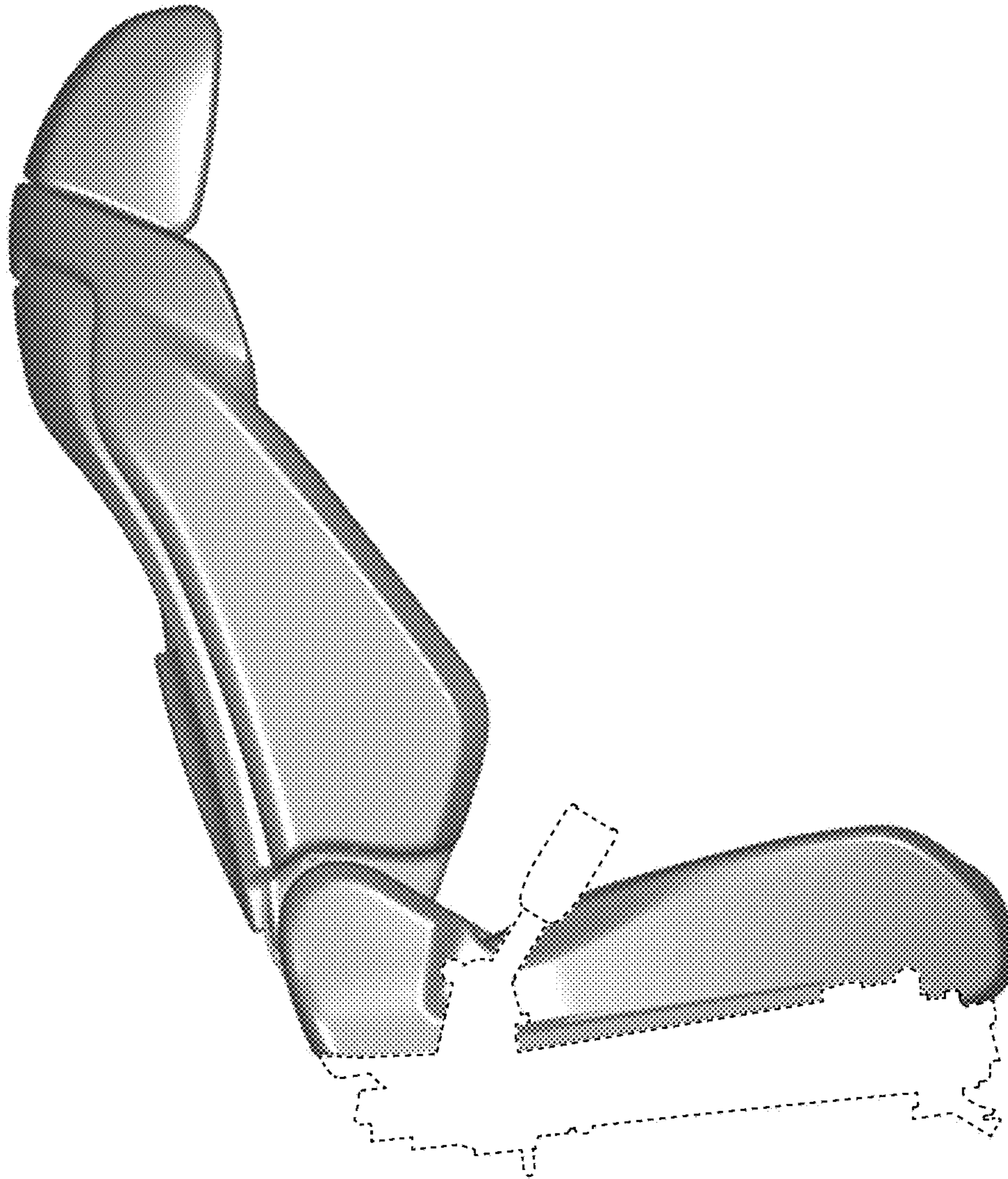


FIG. 8

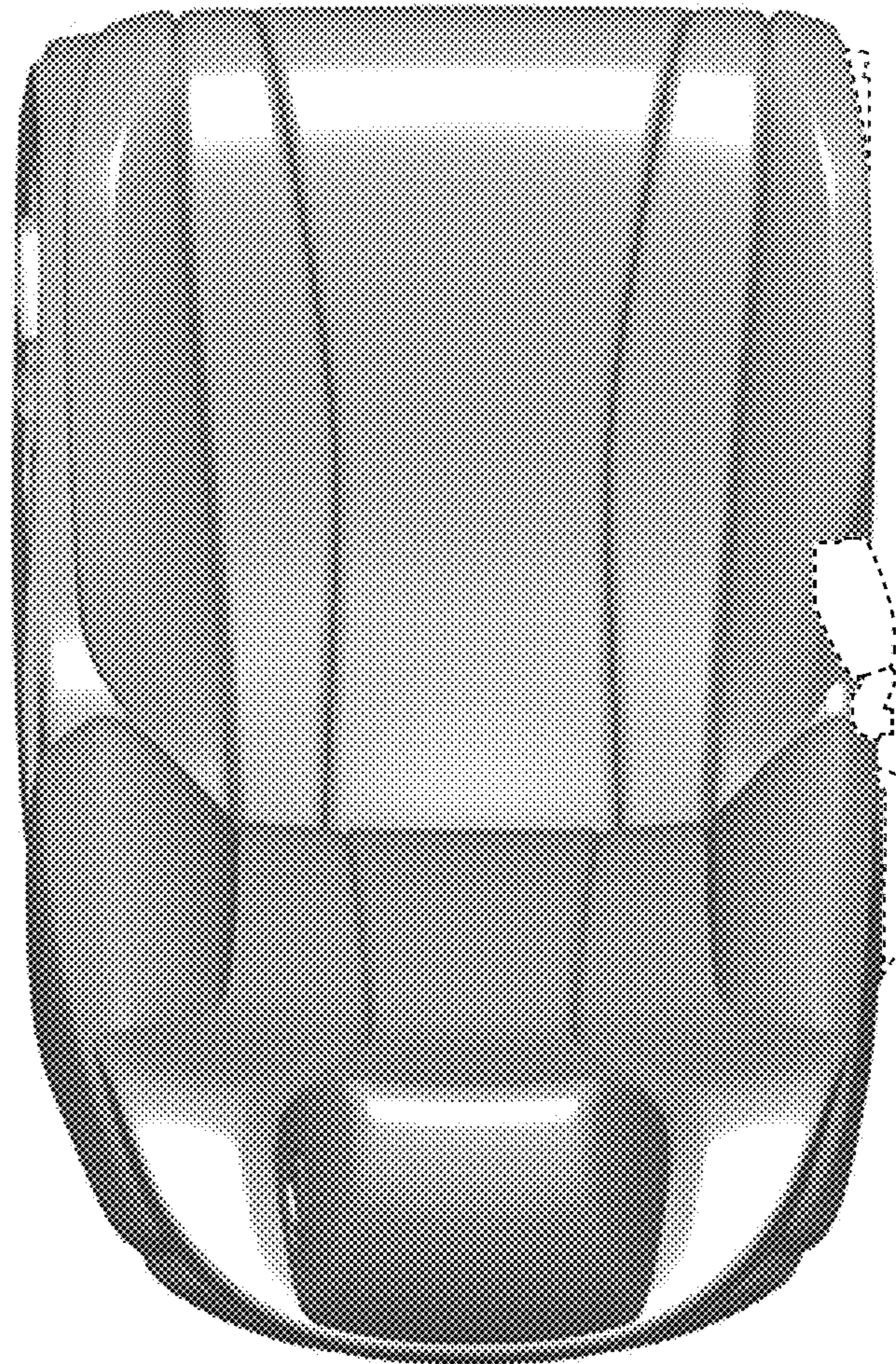


FIG. 9

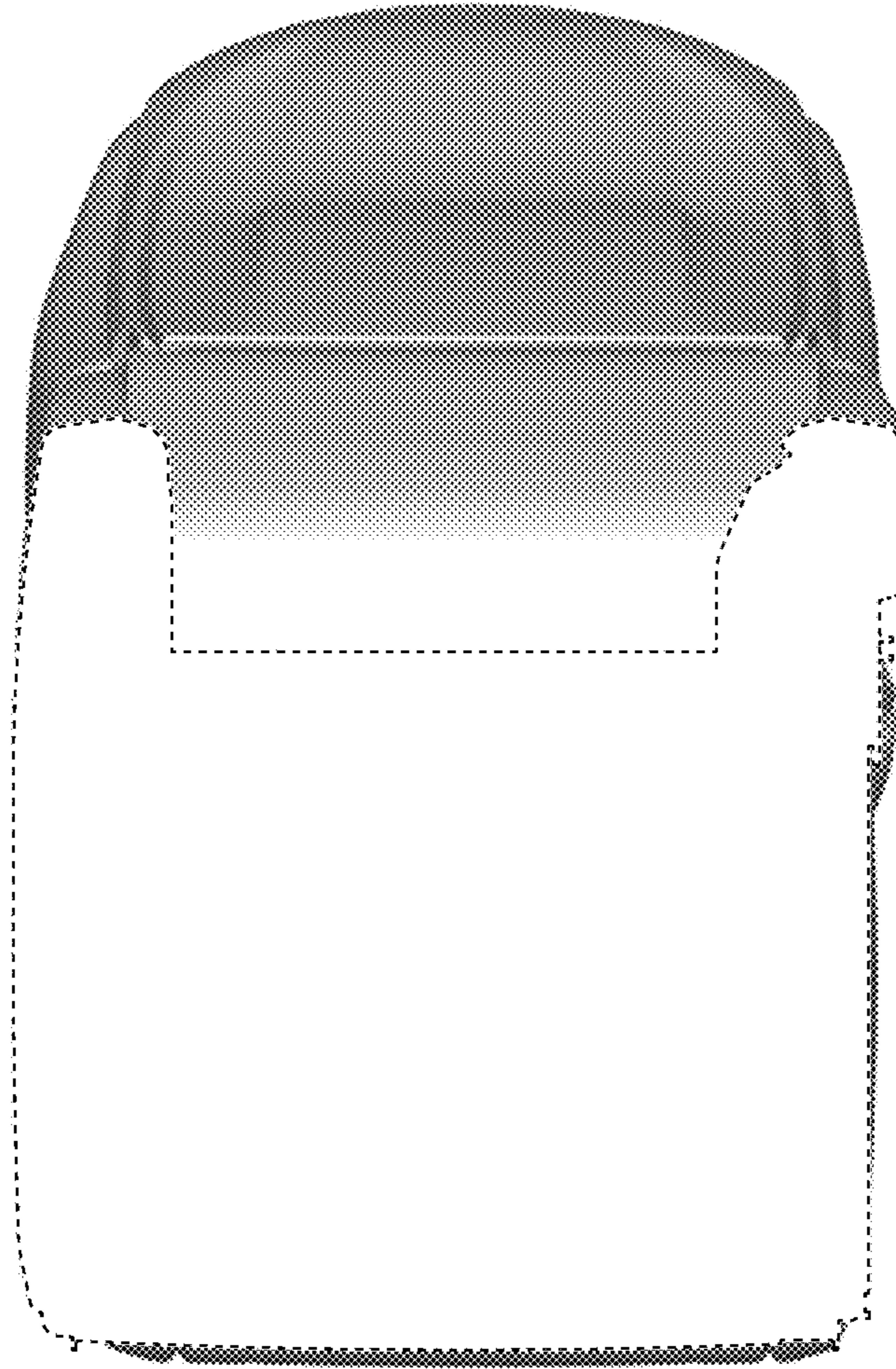


FIG. 10

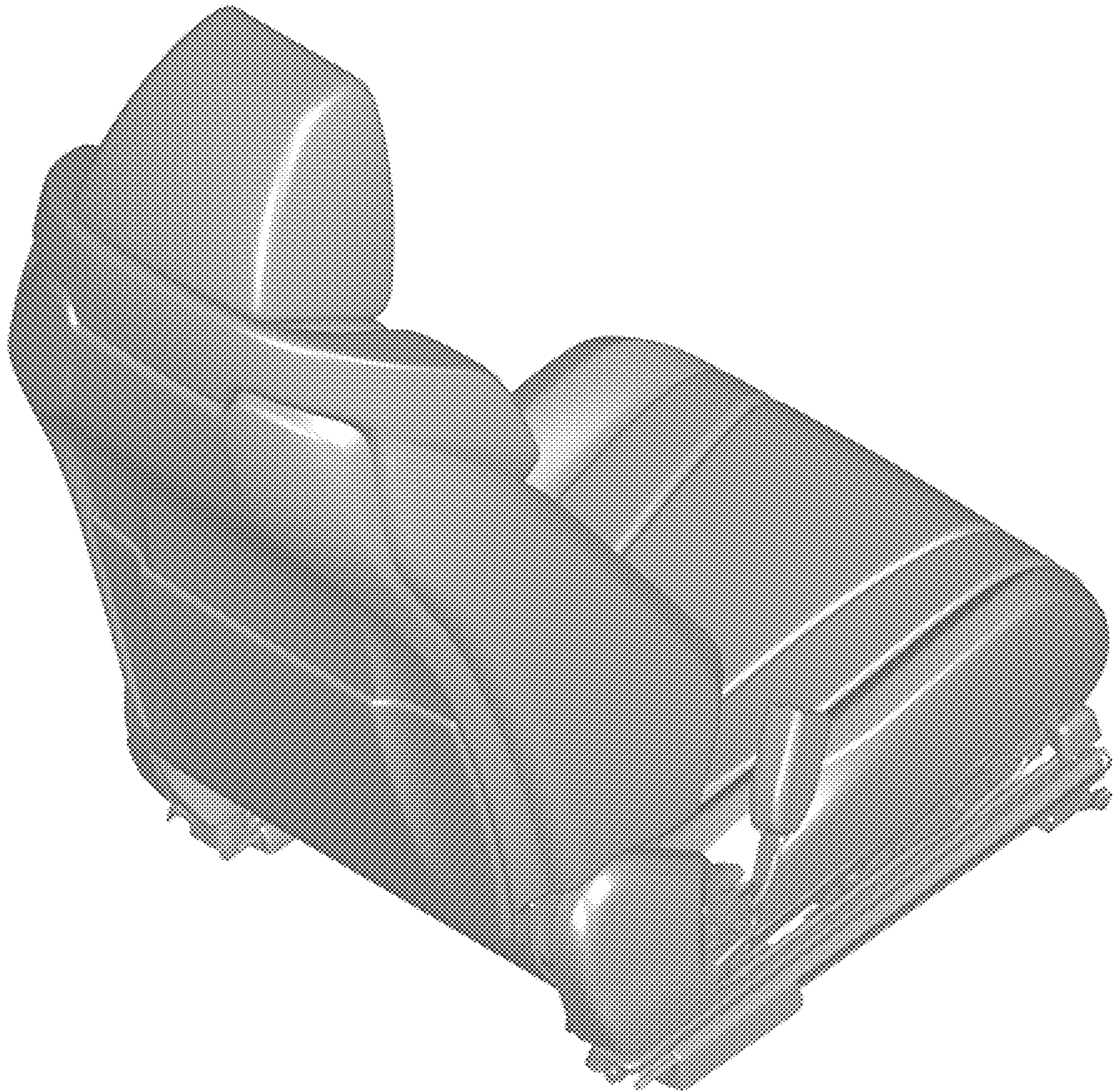


FIG. 11



FIG. 12



FIG. 13



FIG. 14

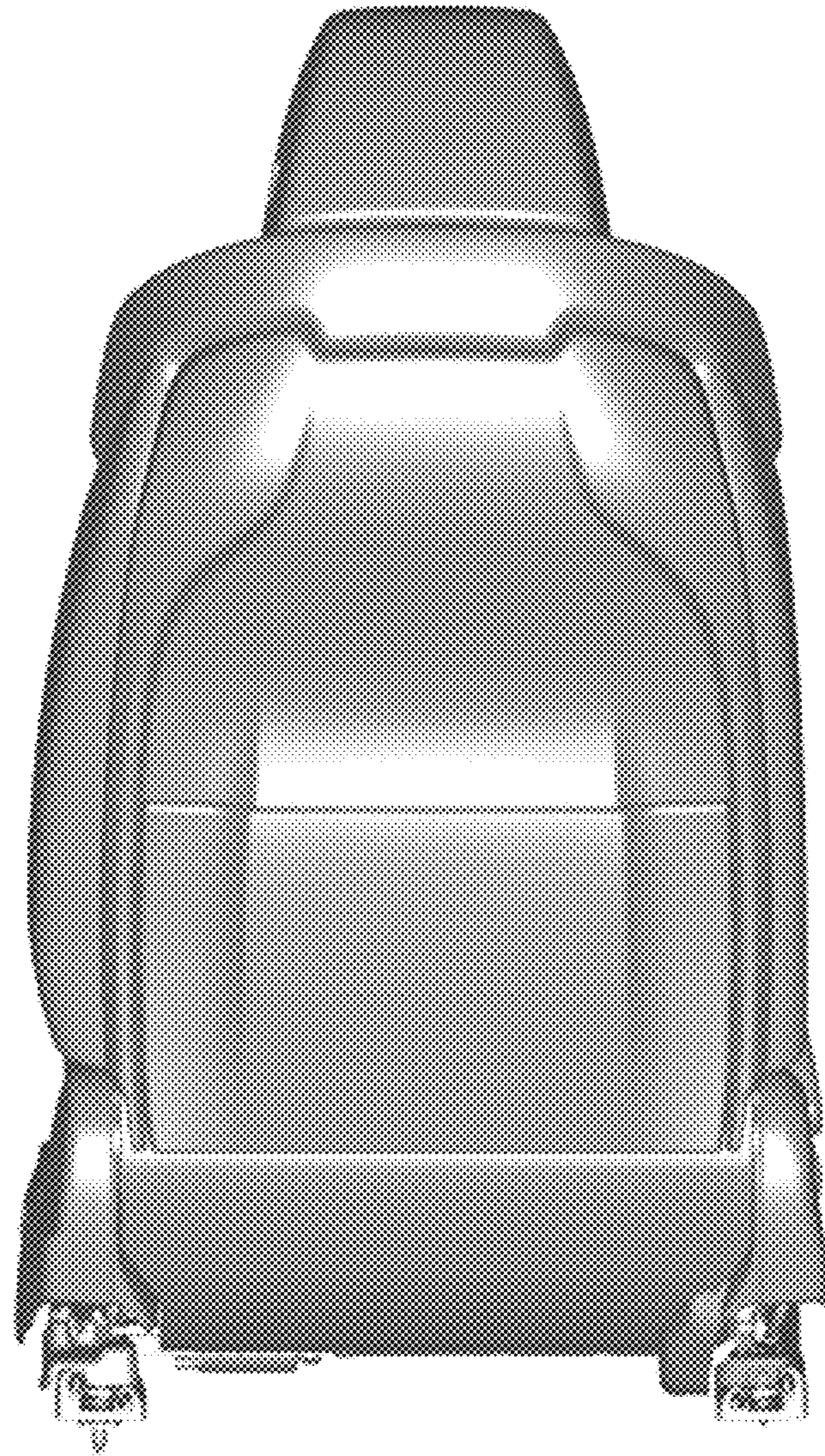


FIG. 15

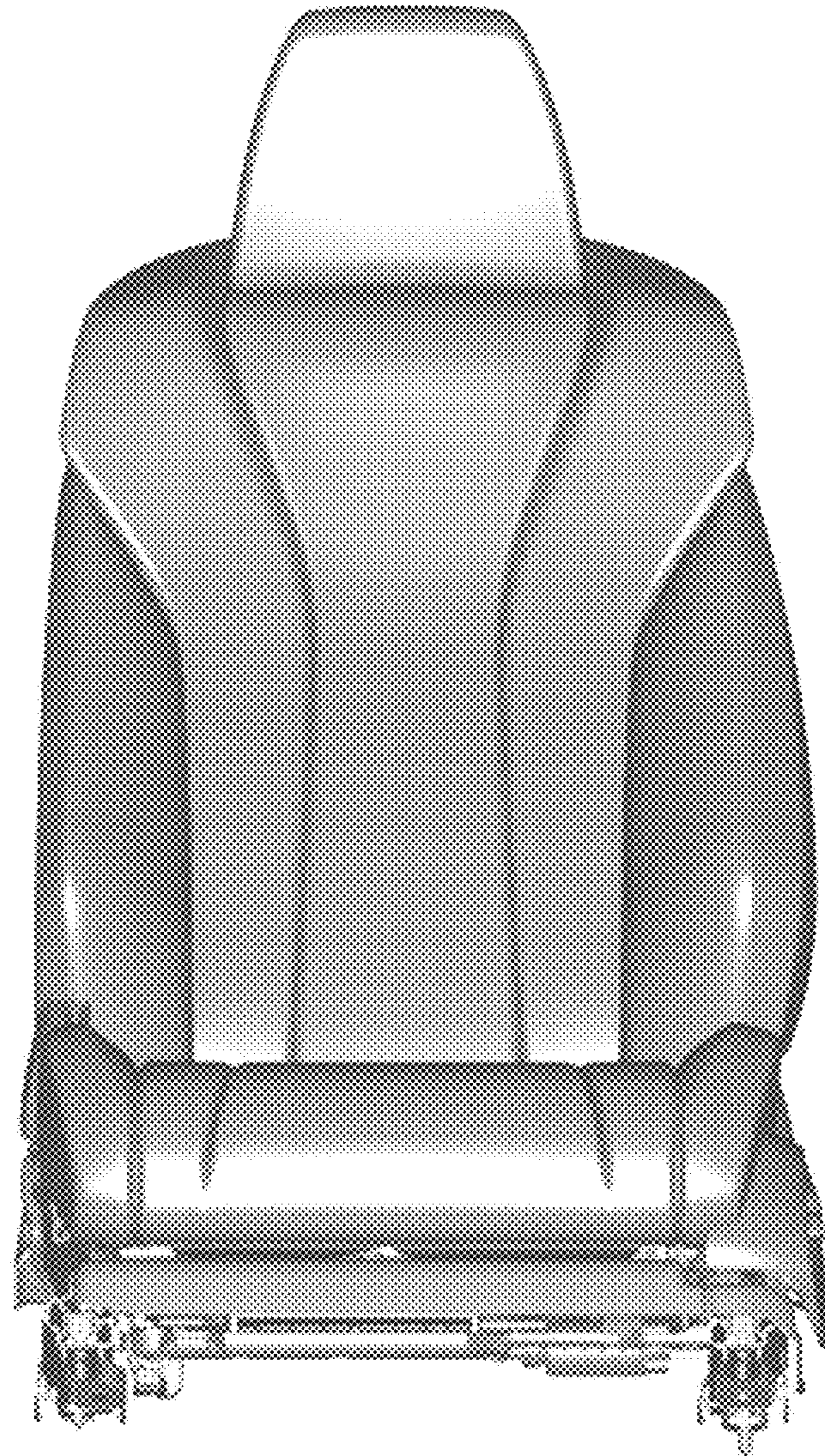


FIG. 16

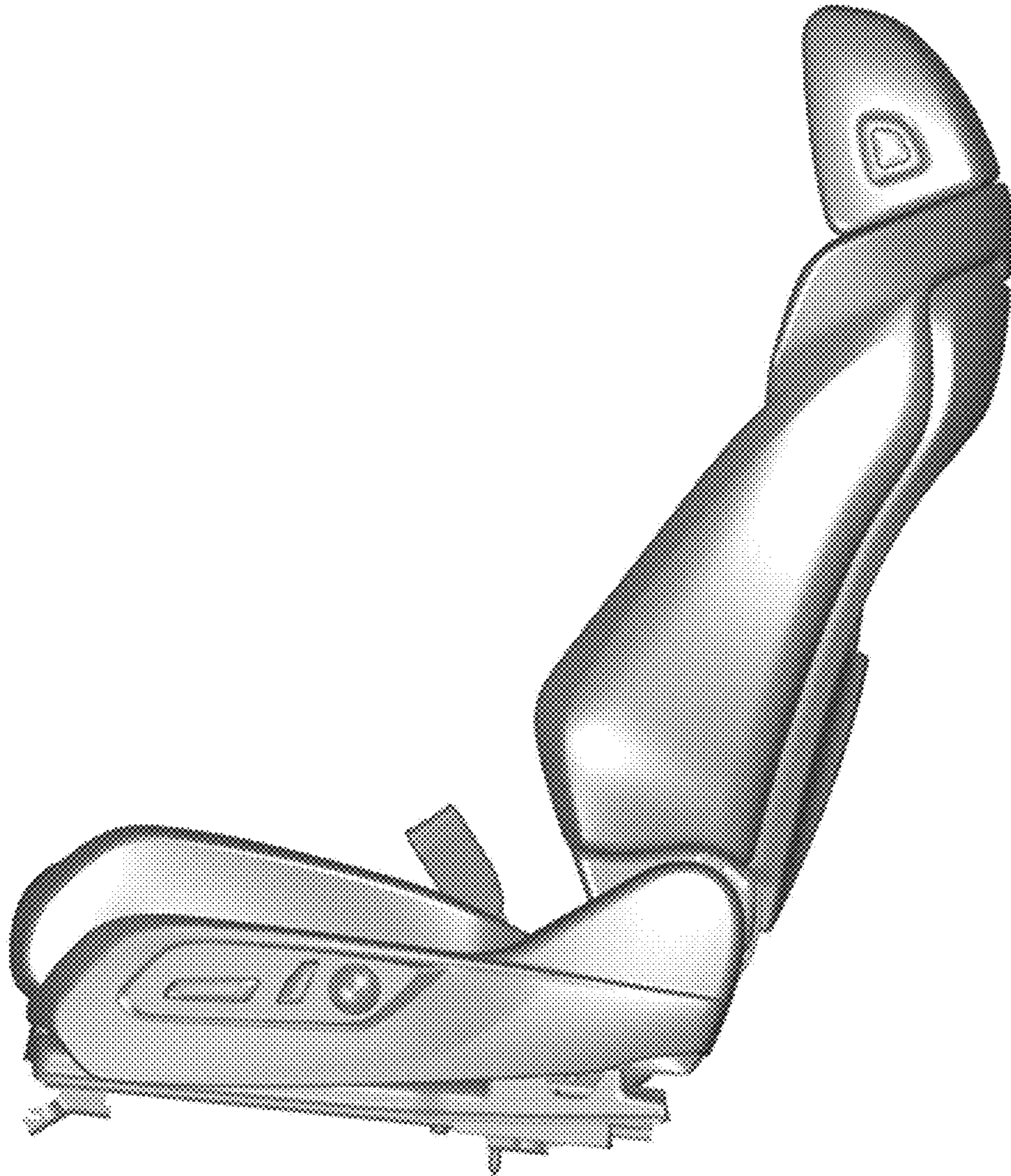


FIG. 17

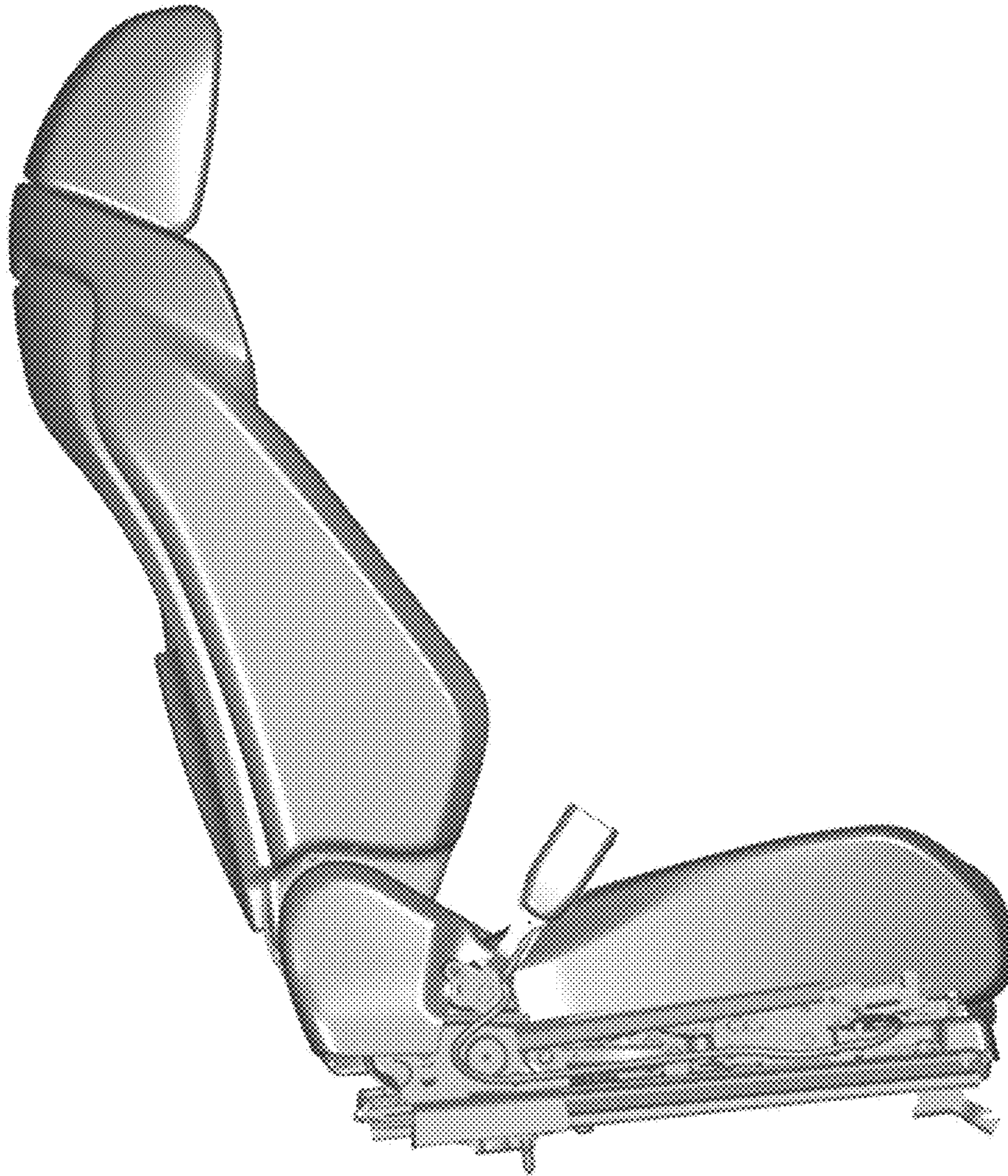


FIG. 18

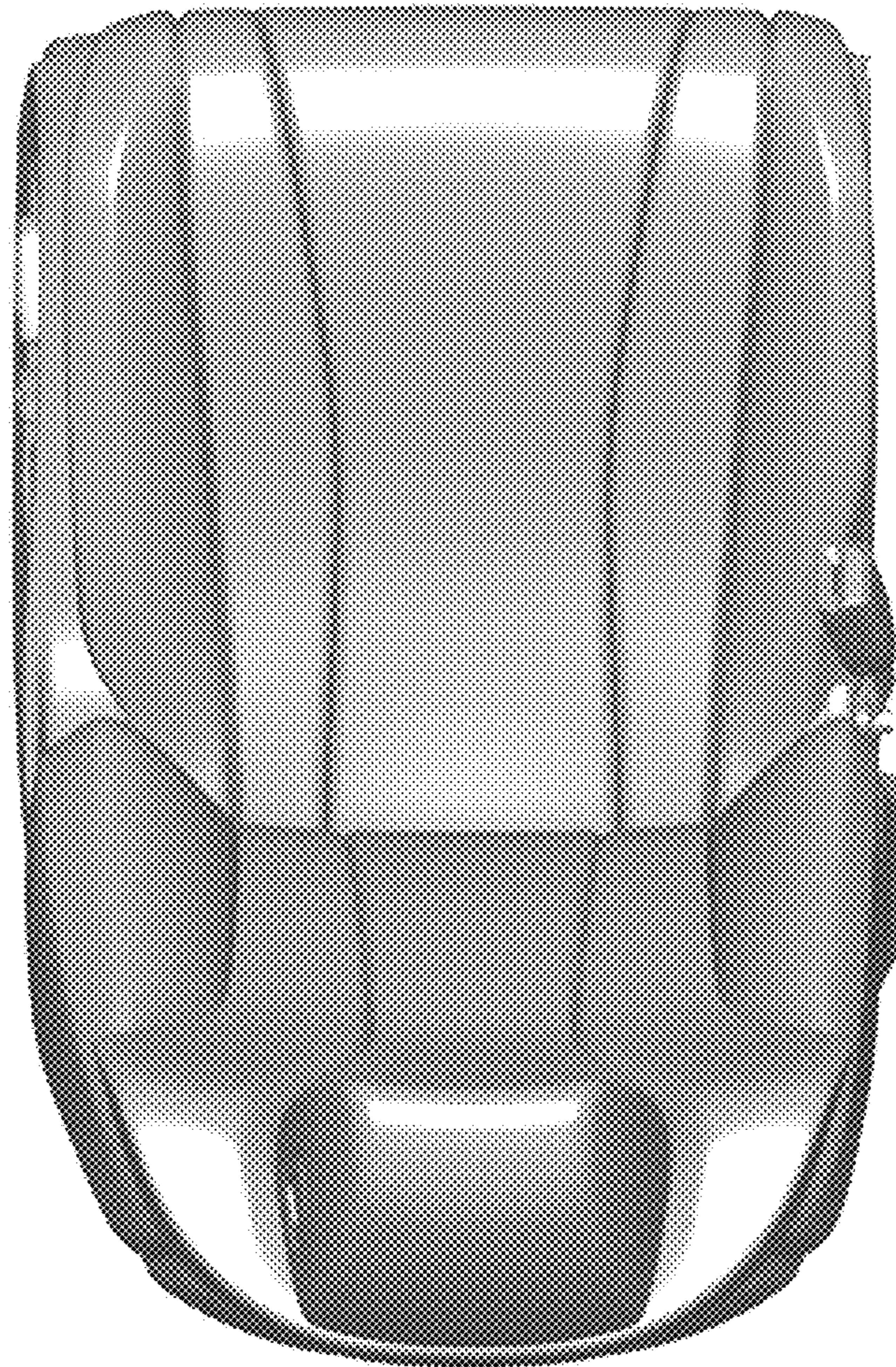


FIG. 19

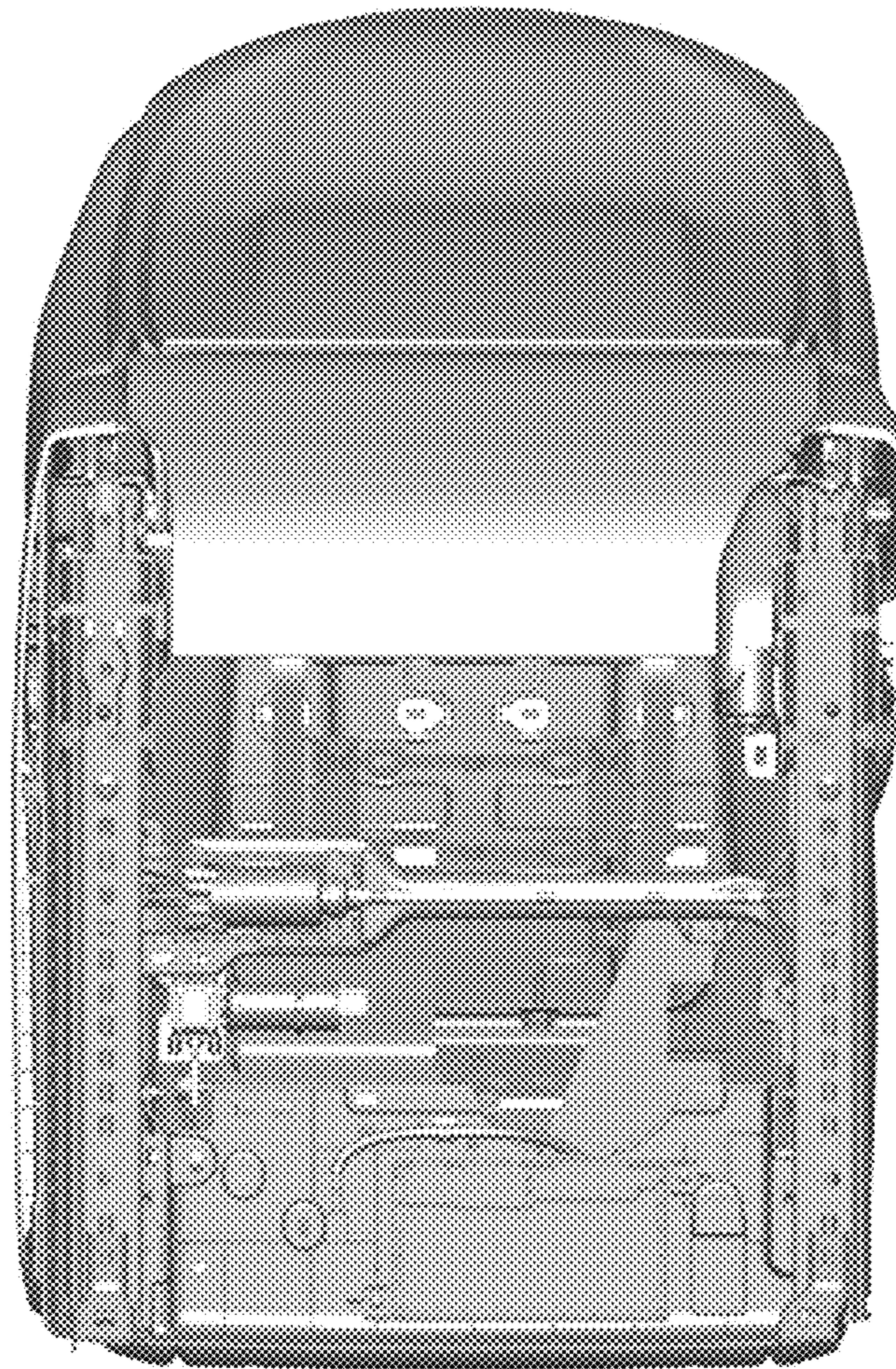


FIG. 20