

US00D894620S

(12) **United States Design Patent** (10) **Patent No.:** **US D894,620 S**
Carter et al. (45) **Date of Patent:** **** Sep. 1, 2020**

(54) **VEHICLE SEAT**

(71) Applicant: **GRAMMER AG**, Amberg (DE)

(72) Inventors: **Raymond Carter**, Marina del Rey, CA (US); **Richard Ott**, Kuemmersbruck (DE)

(73) Assignee: **GRAMMER AG**, Amberg (DE)

(**) Term: **15 Years**

(21) Appl. No.: **29/666,778**

(22) Filed: **Oct. 16, 2018**

(30) **Foreign Application Priority Data**

Apr. 20, 2018 (EP) 005243284-0001
Apr. 23, 2018 (EP) 005244910-0001

(51) **LOC (12) Cl.** **06-01**

(52) **U.S. Cl.**
USPC **D6/356**

(58) **Field of Classification Search**
USPC D6/334-336, 356, 367, 368, 374, 376,
D6/379, 380, 716, 716.1, 716.2, 716.3,
D6/716.4
CPC . B60N 2/20; B60N 2/206; B60N 2/22; B60N
2/68; B60N 2/99; A47C 7/40; A47C 7/16;
B63B 29/04
See application file for complete search history.

(56) **References Cited**

U.S. PATENT DOCUMENTS

4,707,027 A * 11/1987 Horvath B60N 2/99
297/284.6
D358,262 S * 5/1995 Smoczynski D6/334

D362,126 S * 9/1995 Carter D6/356
D371,008 S * 6/1996 Stulik D6/356
D428,719 S * 8/2000 Fick D6/356
D482,880 S * 12/2003 Murphy D6/356
D504,784 S * 5/2005 Hahn D6/356
D516,327 S * 3/2006 Murphy D6/356
D534,731 S * 1/2007 Fretschner D6/356
D577,921 S * 10/2008 Tanaka D6/356
D738,127 S * 9/2015 Nishida D6/356
D773,840 S * 12/2016 Tse D6/356
D819,991 S * 6/2018 Ott D6/356

* cited by examiner

Primary Examiner — Mimosa De

(74) *Attorney, Agent, or Firm* — Von Rohrscheidt Patents

(57) **CLAIM**

The ornamental design for a vehicle seat, as shown and described.

DESCRIPTION

FIG. 1 illustrates a left side view of the vehicle seat showing the new design.
FIG. 2 illustrates a front view of the vehicle seat in FIG. 1.
FIG. 3 illustrates a right side view of the vehicle seat in FIG. 1.
FIG. 4 illustrates a top view of the vehicle seat in FIG. 1.
FIG. 5 illustrates a rear view of the vehicle seat in FIG. 1.
FIG. 6 illustrates a left side rear view of the vehicle seat in FIG. 1; and,
FIG. 7 illustrates a bottom view of the vehicle seat in FIG. 1.

1 Claim, 7 Drawing Sheets

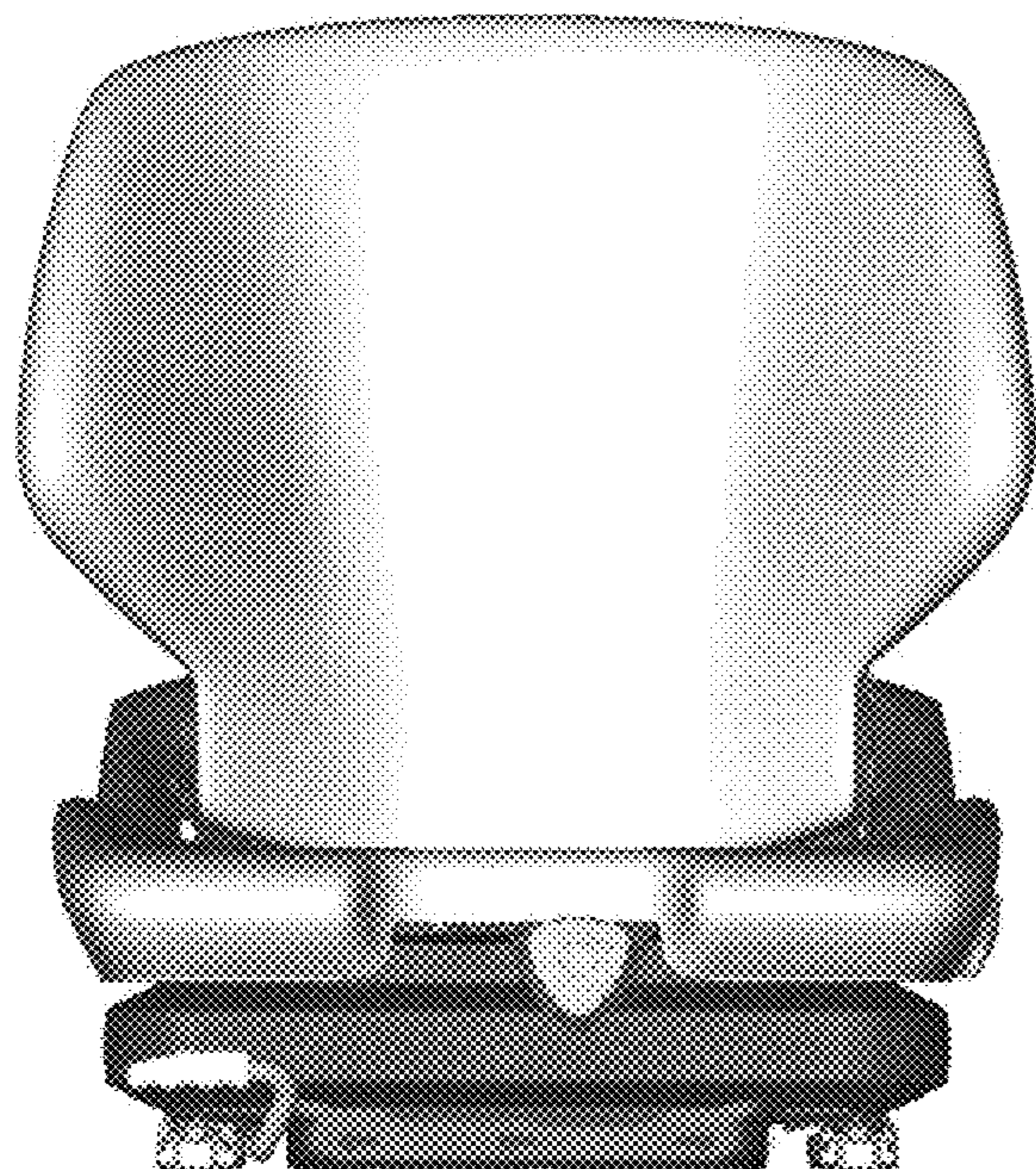




FIG. 1

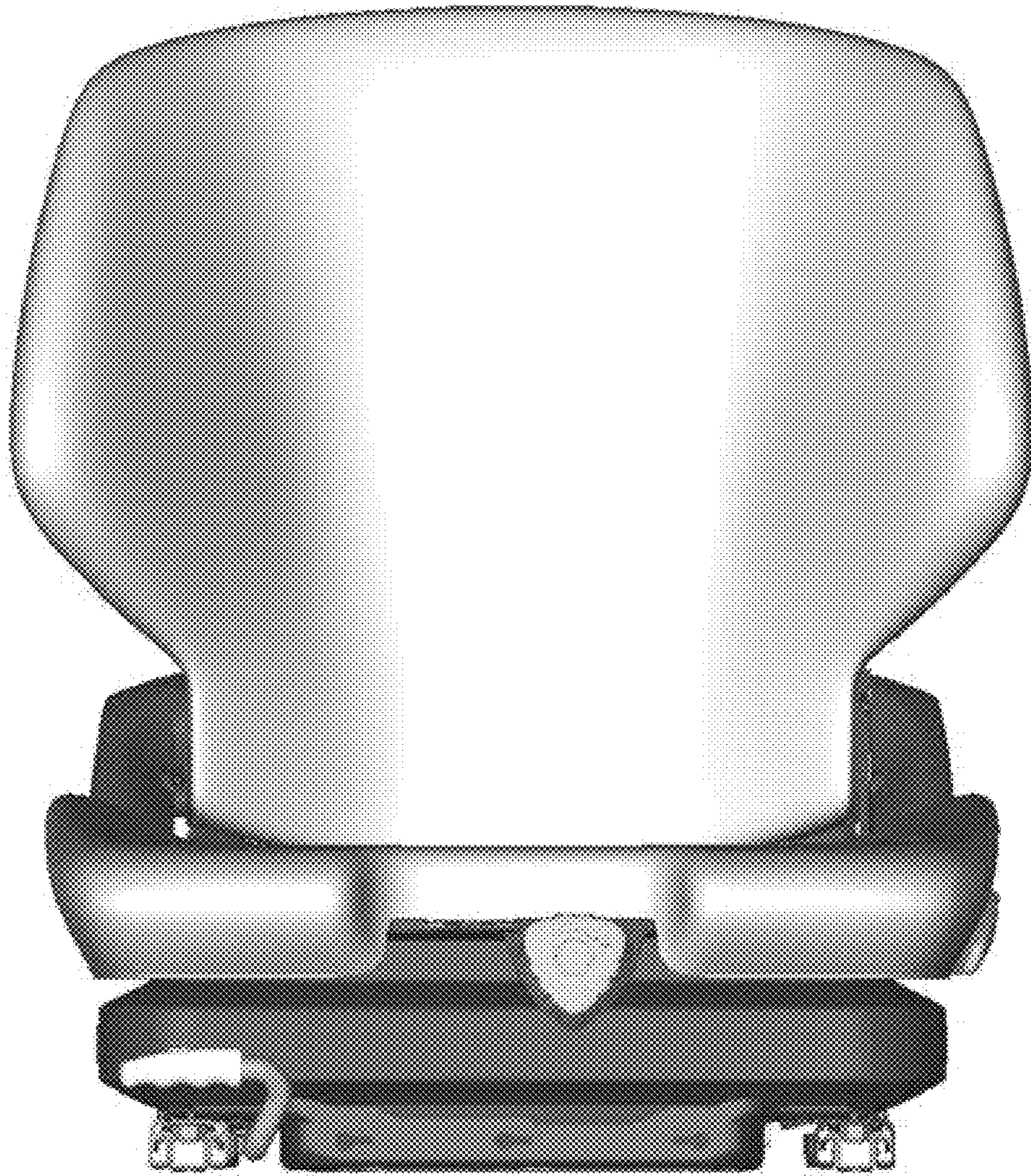


FIG. 2

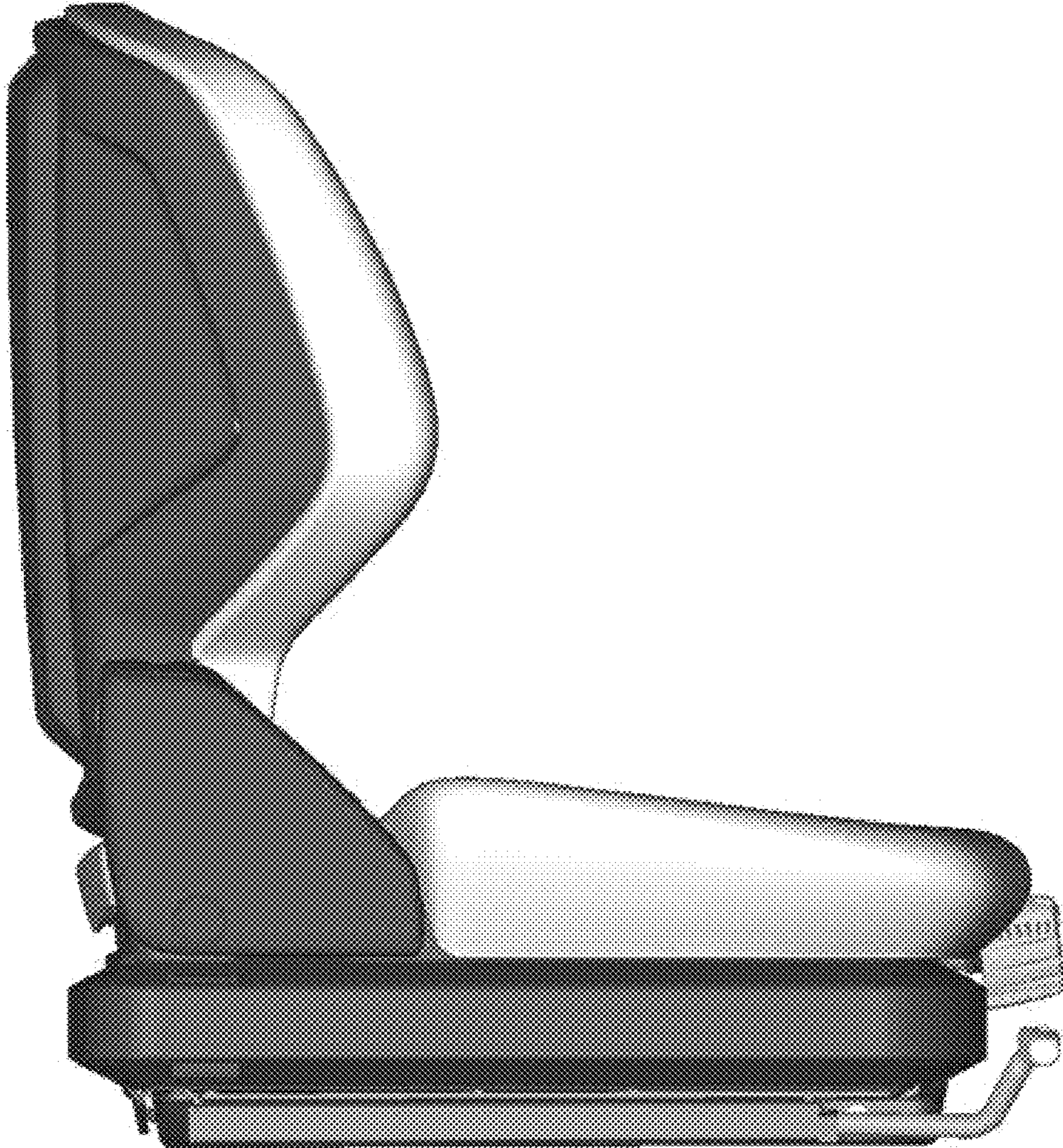


FIG. 3



FIG. 4

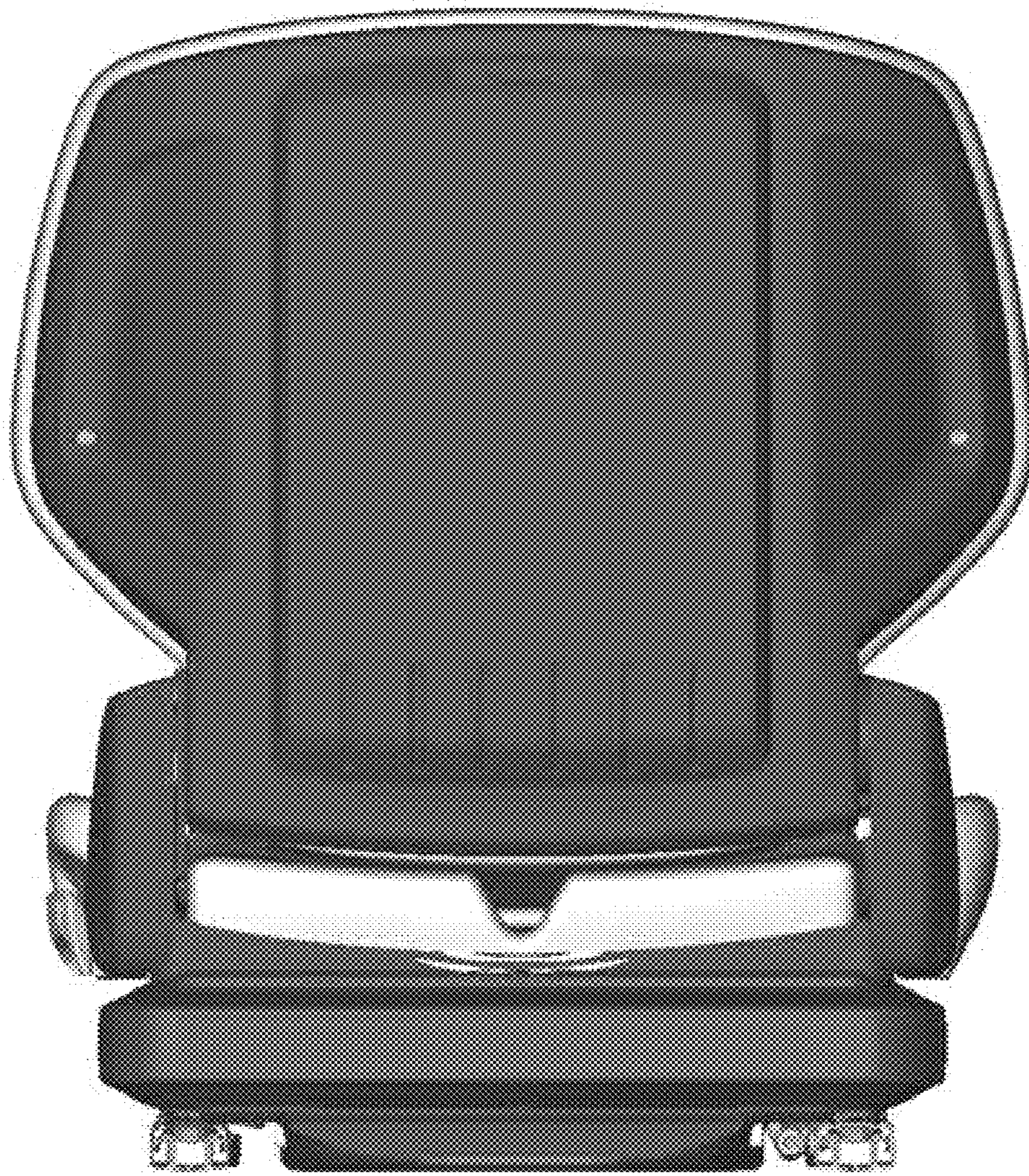


FIG. 5



FIG. 6

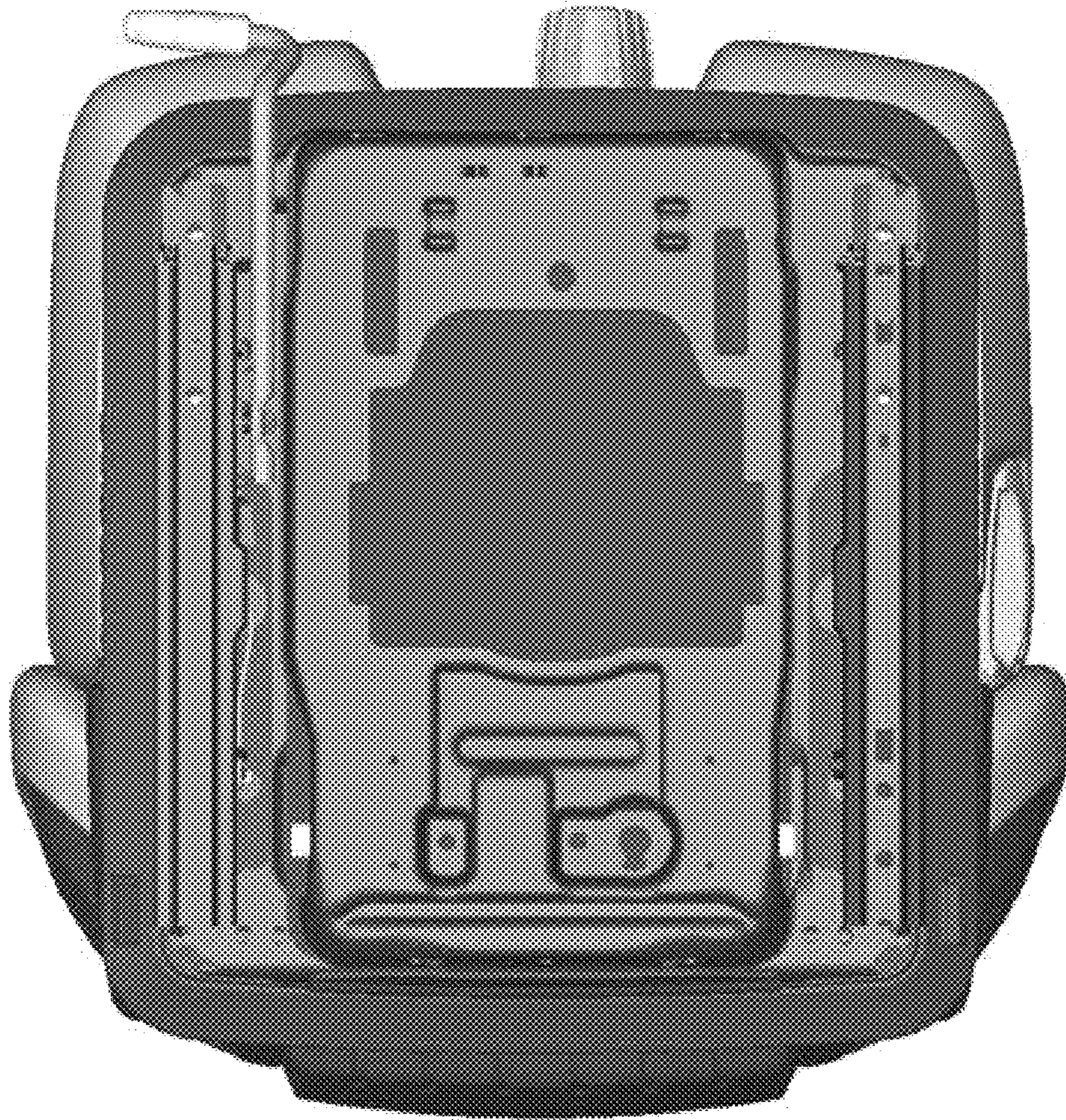


FIG. 7