



US00D894619S

(12) **United States Design Patent** (10) **Patent No.:** **US D894,619 S**
Blackrock et al. (45) **Date of Patent:** **** Sep. 1, 2020**

(54) **SWING WITH FLAGS** 4,014,540 A * 3/1977 Caulkins A63G 9/12
472/14
(71) Applicant: **Aarjay Products, LLC**, Springfield, VA (US) D256,149 S * 7/1980 Beller D21/824
D259,652 S * 6/1981 Ahrens D21/824
6,572,483 B1 * 6/2003 Hoffman A63G 9/00
472/118
(72) Inventors: **John Blackrock**, Dallas, TX (US); 6,702,686 B1 * 3/2004 Brown A63G 9/12
Jonathan Elder, Austin, TX (US) 472/118
(73) Assignee: **Aarjay Products, LLC**, Springfield, VA (US) D661,360 S * 6/2012 Campanaro D21/797
(Continued)

(**) Term: **15 Years**
(21) Appl. No.: **29/719,581**
(22) Filed: **Jan. 6, 2020**

Primary Examiner — Kevin K Rudzinski
Assistant Examiner — Paul D Bohannon
(74) *Attorney, Agent, or Firm* — Mark Malek; Widerman Malek, PL

Related U.S. Application Data

(62) Division of application No. 29/641,635, filed on Mar. 23, 2018, now Pat. No. Des. 871,786.

(51) **LOC (12) Cl.** **06-01**
(52) **U.S. Cl.**
USPC **D6/347**

(58) **Field of Classification Search**
USPC D6/344, 341, 342, 347, 360, 364, 368,
D6/369, 379, 380, 386, 387, 389, 643,
D6/650, 677, 716, 718.1, 718.11;
D21/521, 797, 823, 824; D23/292;
D12/52, 322
CPC A47C 3/02; A47C 3/12; A47C 3/18; A47C
3/26; A47C 3/0255; A47C 4/24; A47C
5/02; A47C 7/443; A47C 15/008; A47C
17/84; A45F 3/22; A45F 3/24; A45F
3/26; A63G 9/00; A63G 9/02; B61B
12/02; A47D 9/00; A47D 13/02; A47D
13/10; A47D 13/105

See application file for complete search history.

(56) **References Cited**

U.S. PATENT DOCUMENTS

3,130,969 A * 4/1964 Groth A63G 9/02
472/125
3,937,463 A * 2/1976 Soisson A63G 9/00
472/118

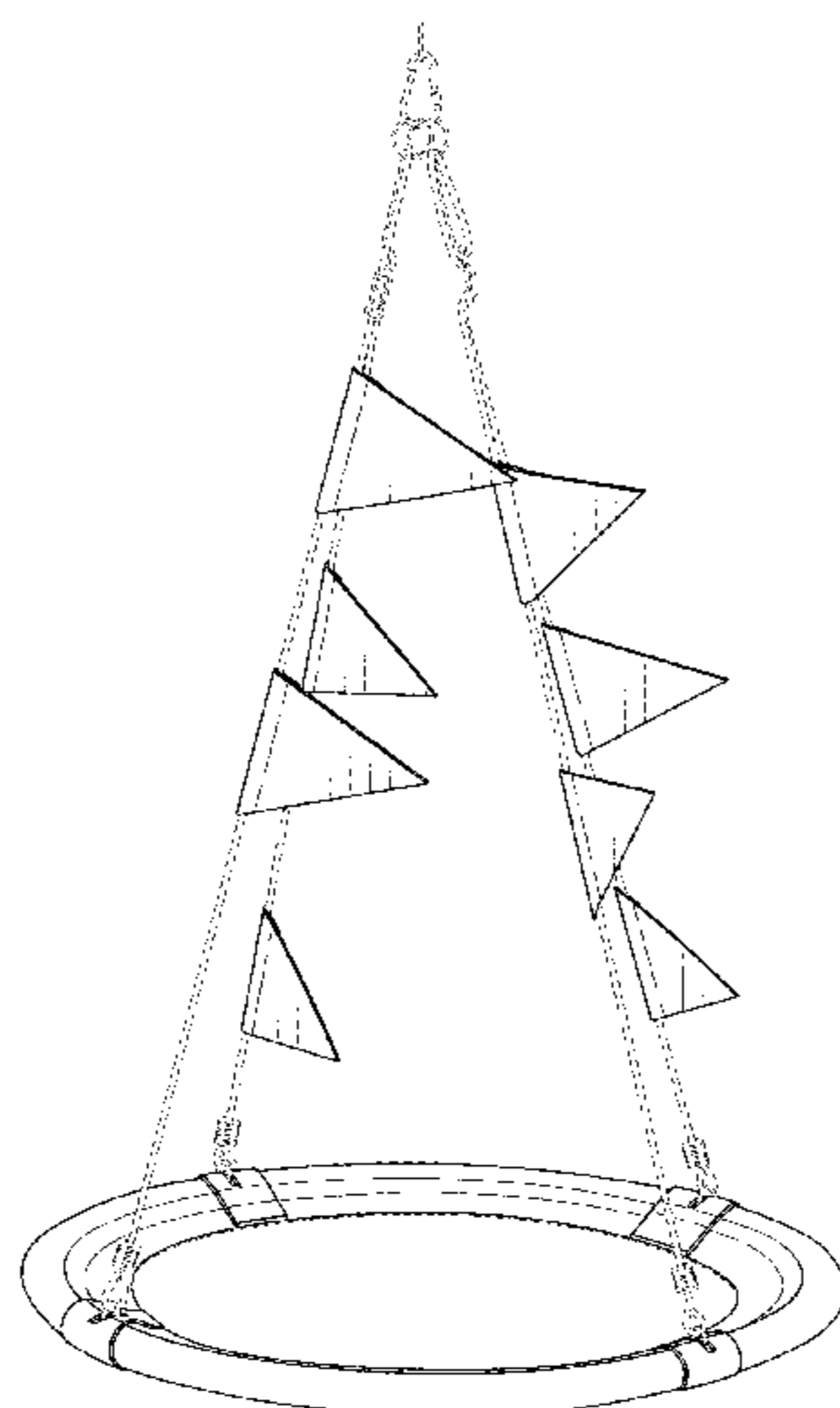
(57) **CLAIM**

The ornamental design for a swing with flags, as shown and described.

DESCRIPTION

FIG. 1 is a front perspective view of a swing with flags according to the present invention.
FIG. 2 is a side elevation view of the swing with flags illustrated in FIG. 1.
FIG. 3 is another side elevation view of the swing with flags illustrated in FIG. 1.
FIG. 4 is another side elevation view of the swing with flags illustrated in FIG. 1.
FIG. 5 is another side elevation view of the swing with flags illustrated in FIG. 1.
FIG. 6 is a top plan view of the swing with flags illustrated in FIG. 1; and,
FIG. 7 is a bottom plan view of the swing with flags illustrated in FIG. 1.
The broken lines depict features of the swing with flags that form no part of the claimed design.

1 Claim, 7 Drawing Sheets



(56)

References Cited

U.S. PATENT DOCUMENTS

D680,609 S *	4/2013	Publicover	D21/797
D702,449 S *	4/2014	Puotiniemi	D6/347
D738,637 S *	9/2015	Dean	D6/347
D811,103 S *	2/2018	Priest	D6/347
D854,106 S *	7/2019	Chen	D21/823
D871,786 S *	1/2020	Blackrock	D6/347
2017/0181552 A1 *	6/2017	Galitzer	A47D 9/00

* cited by examiner

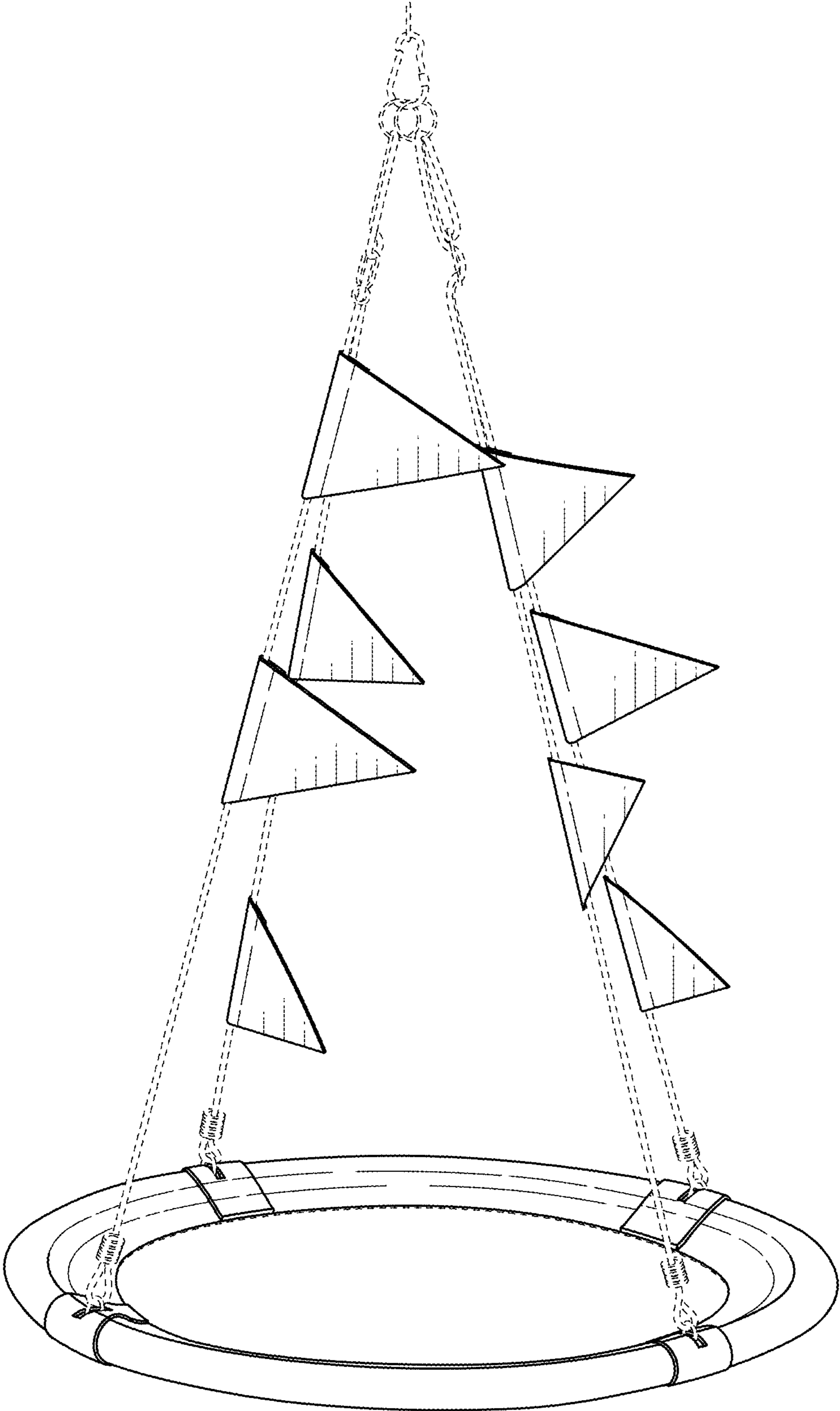


FIG. 1

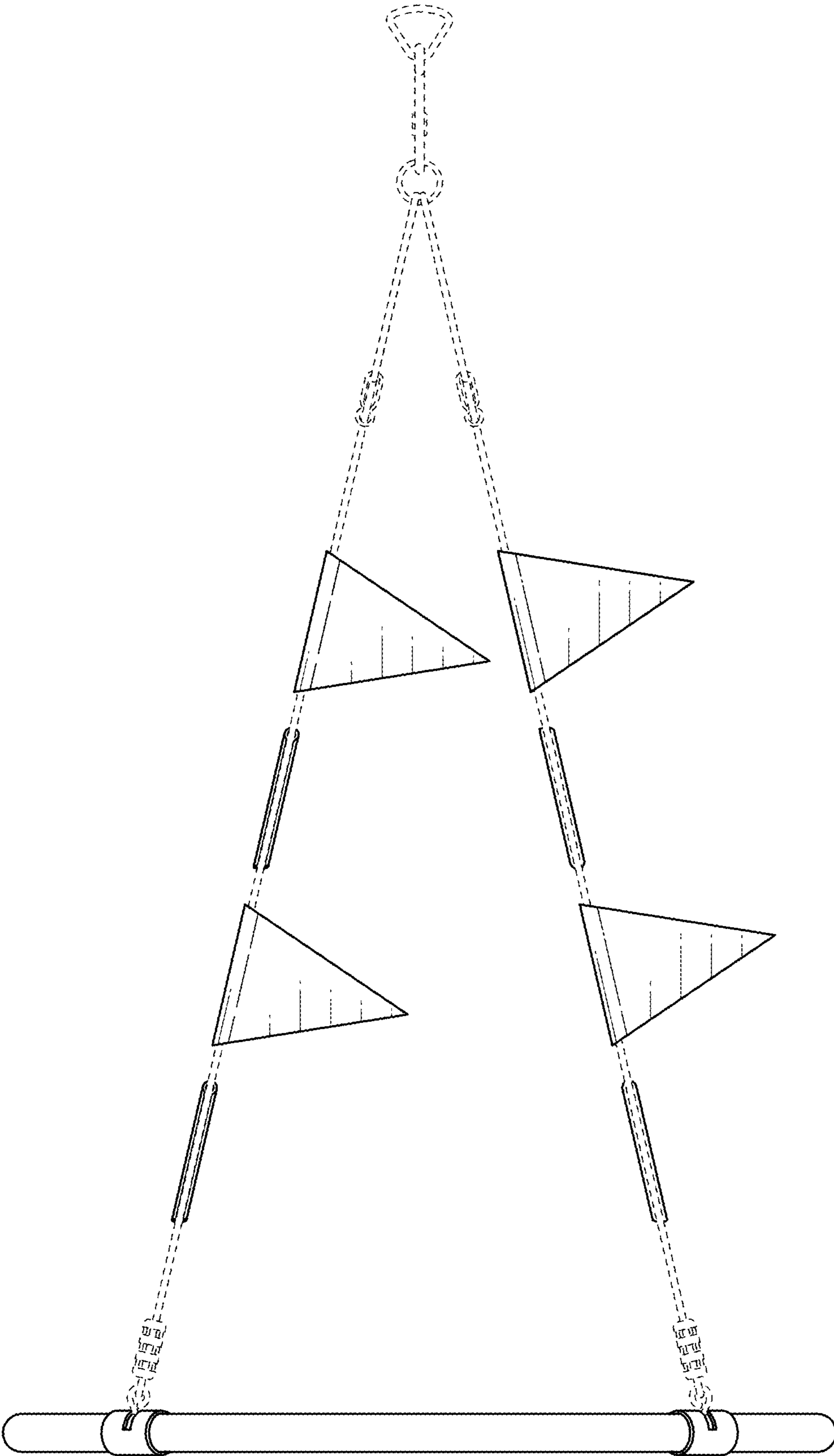


FIG. 2

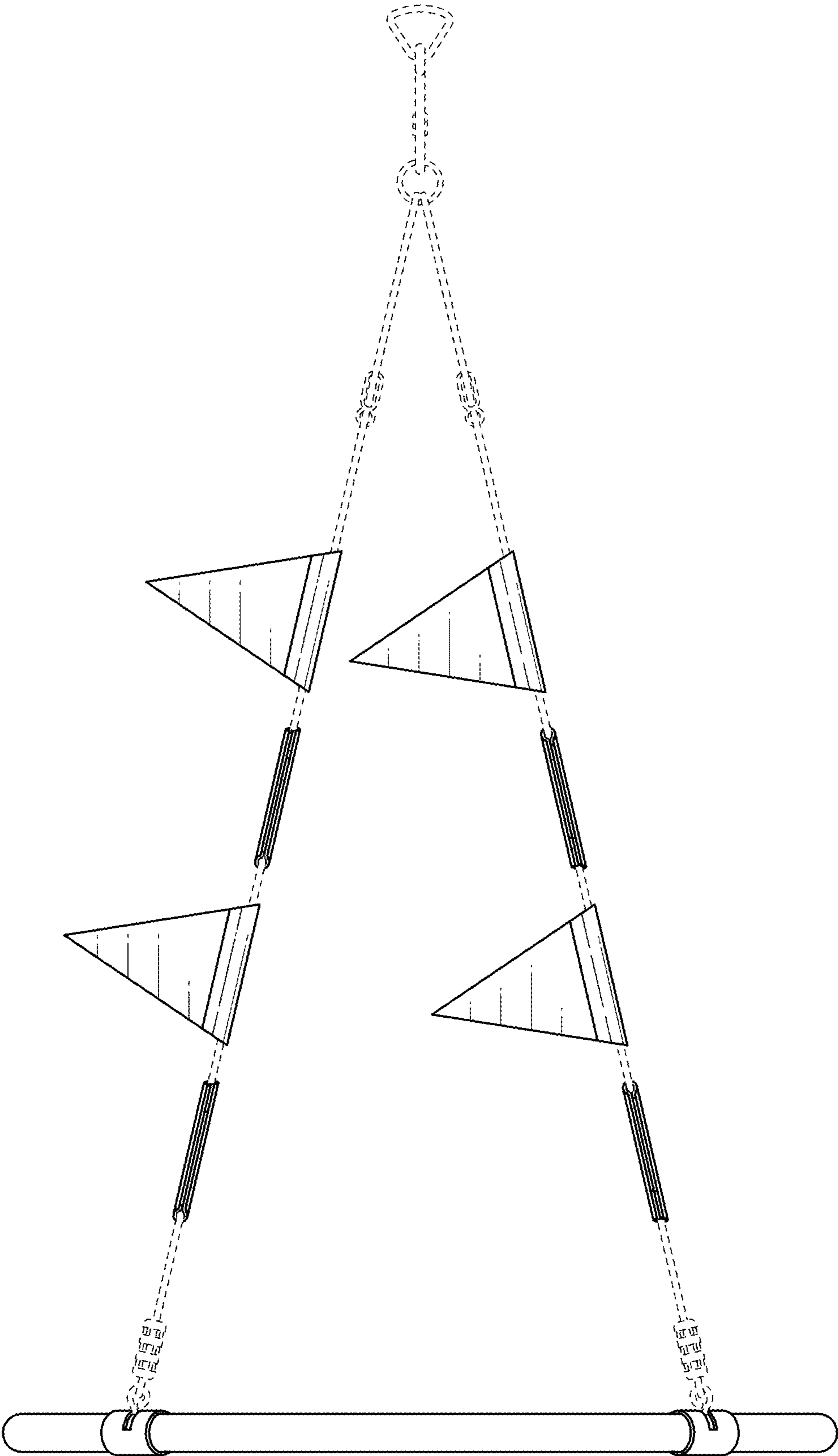


FIG. 3

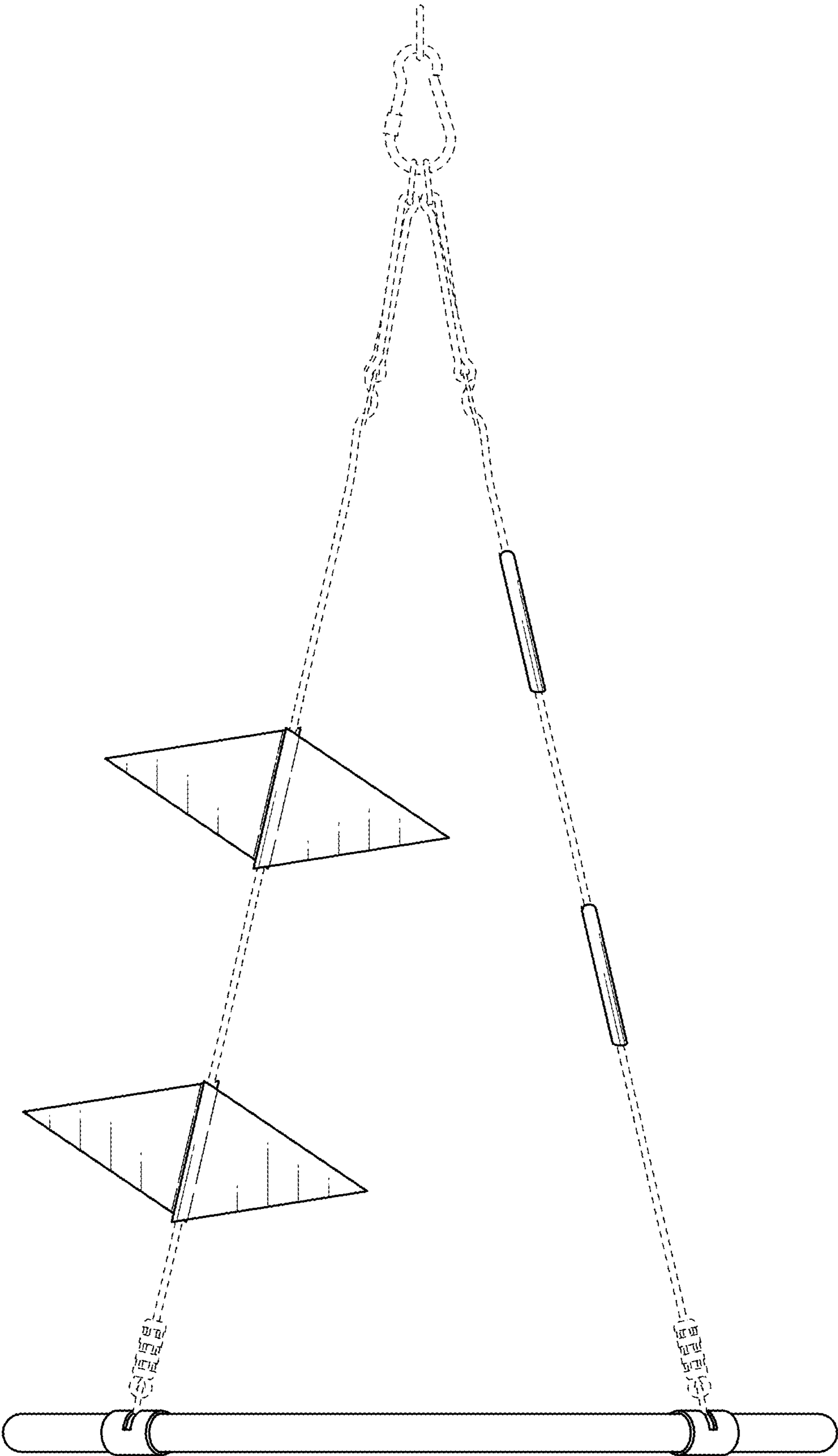


FIG. 4

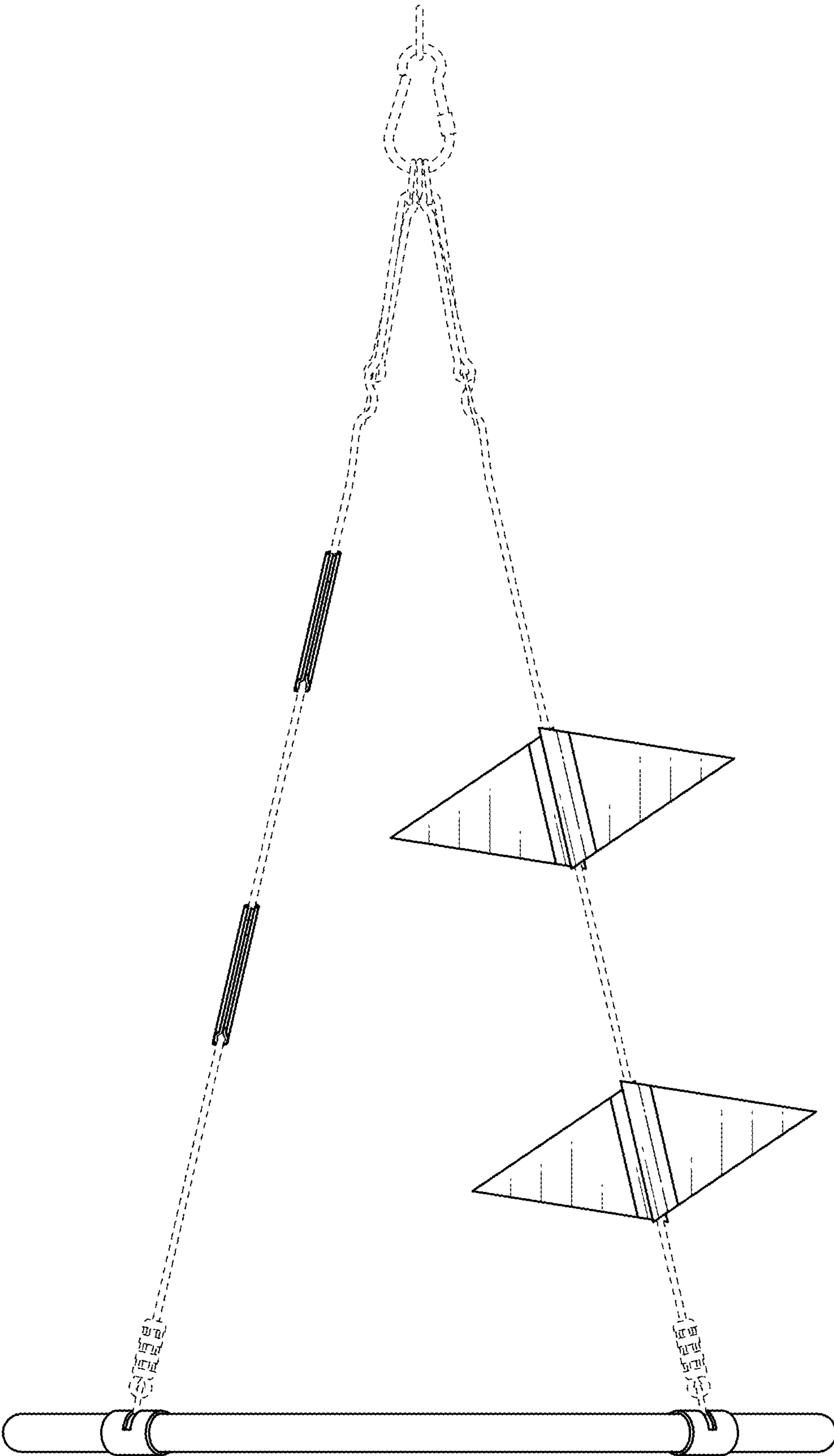


FIG. 5

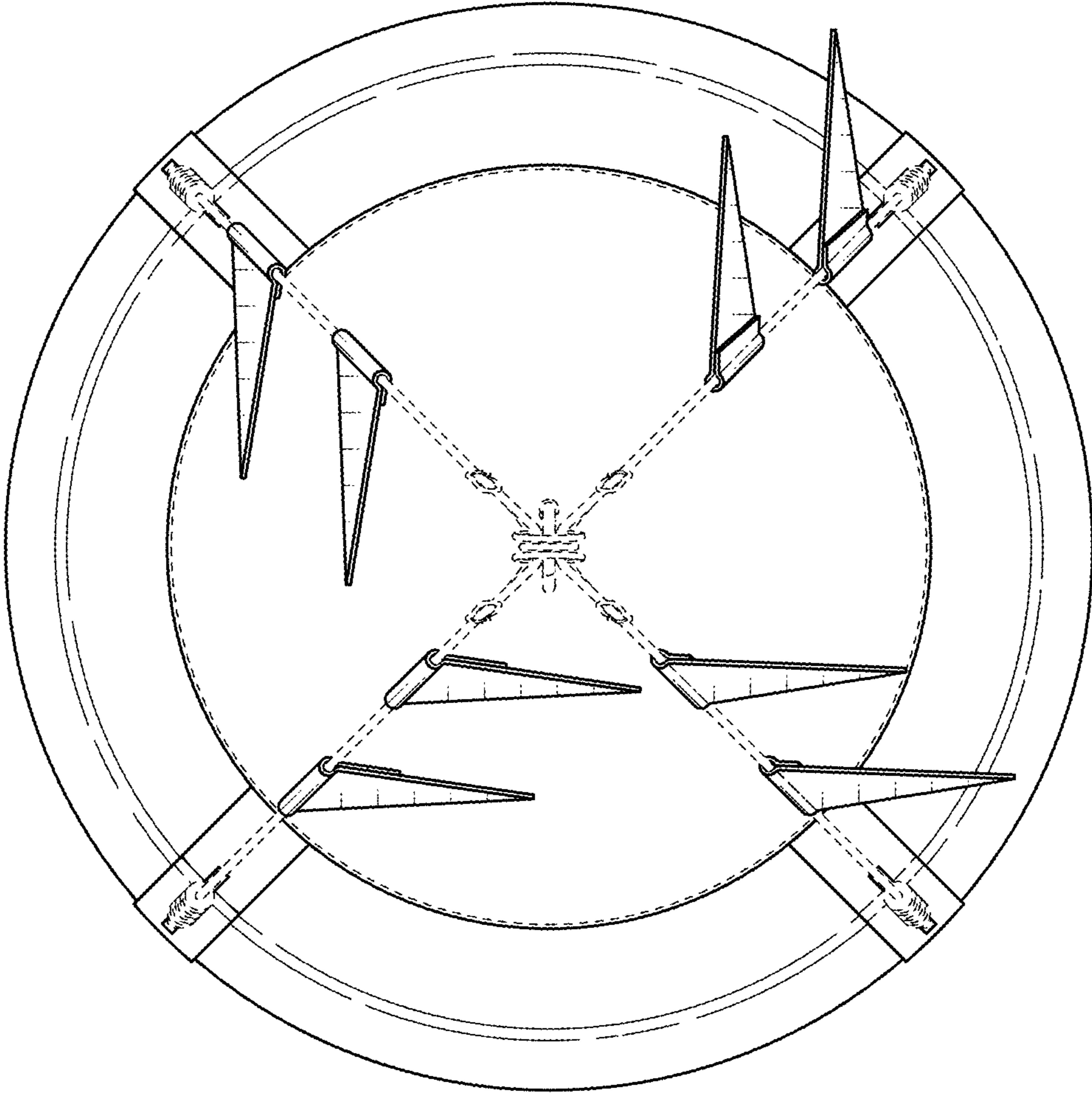


FIG. 6

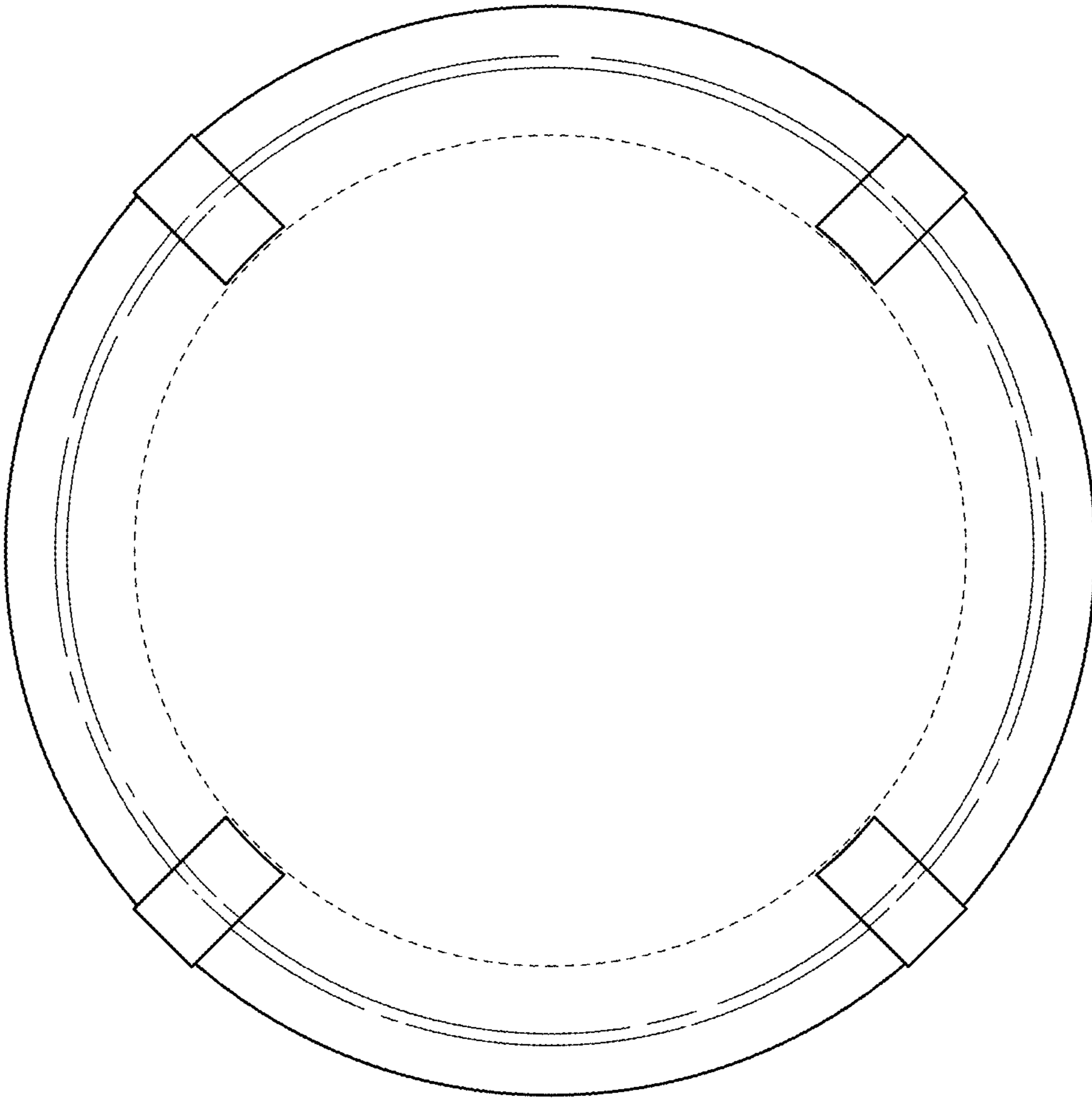


FIG. 7