



US00D894616S

(12) **United States Design Patent**
Brock et al.

(10) **Patent No.:** **US D894,616 S**

(45) **Date of Patent:** **** Sep. 1, 2020**

(54) **SWINGING SEATS ATTACHABLE TO A CABINET OR SIMILAR STRUCTURE**

(71) Applicants: **Jonathan A. Brock**, Warsaw, IN (US);
Timothy Markel, Bristol, IN (US)

(72) Inventors: **Jonathan A. Brock**, Warsaw, IN (US);
Timothy Markel, Bristol, IN (US)

(**) Term: **15 Years**

(21) Appl. No.: **29/620,966**

(22) Filed: **Sep. 14, 2017**

(51) **LOC (12) Cl.** **06-03**

(52) **U.S. Cl.**
USPC **D6/329**

(58) **Field of Classification Search**

USPC D6/333-336, 339-341, 344, 381, 491;
297/250.1, 255, 256.15, 183.1-183.4,
297/184.15, 184.17, 256.16, 16.1, 270.2,
297/452.13, 271.76, 258.1, 440.24;
D12/129-130, 133; D21/419, 412, 688;
280/30-31
CPC .. A47C 4/54; A47C 4/00; A47C 7/021; A47C
7/022; A47C 7/14; A47C 7/00; A47C
3/00; A47C 3/02; A47C 3/027; A47C
3/029; A63G 9/14; A63G 9/16; A63G
9/00; A47D 1/02; A47D 1/00; A47D
1/08; A47D 1/10

See application file for complete search history.

(56) **References Cited**

U.S. PATENT DOCUMENTS

D405,278 S * 2/1999 Pomeroy D6/347
D553,871 S * 10/2007 Diramarian D6/370
D645,263 S * 9/2011 Taylor, IV D6/333

* cited by examiner

Primary Examiner — Abraham Bahta

(74) *Attorney, Agent, or Firm* — Ryan M. Fountain

(57) **CLAIM**

The ornamental design for swinging seats attachable to a cabinet or similar structure, as shown and described.

DESCRIPTION

FIG. 1 is a front-right upper perspective view of the swinging seats showing our new design; wherein the left seat is smaller and is positioned inclined toward the right seat.

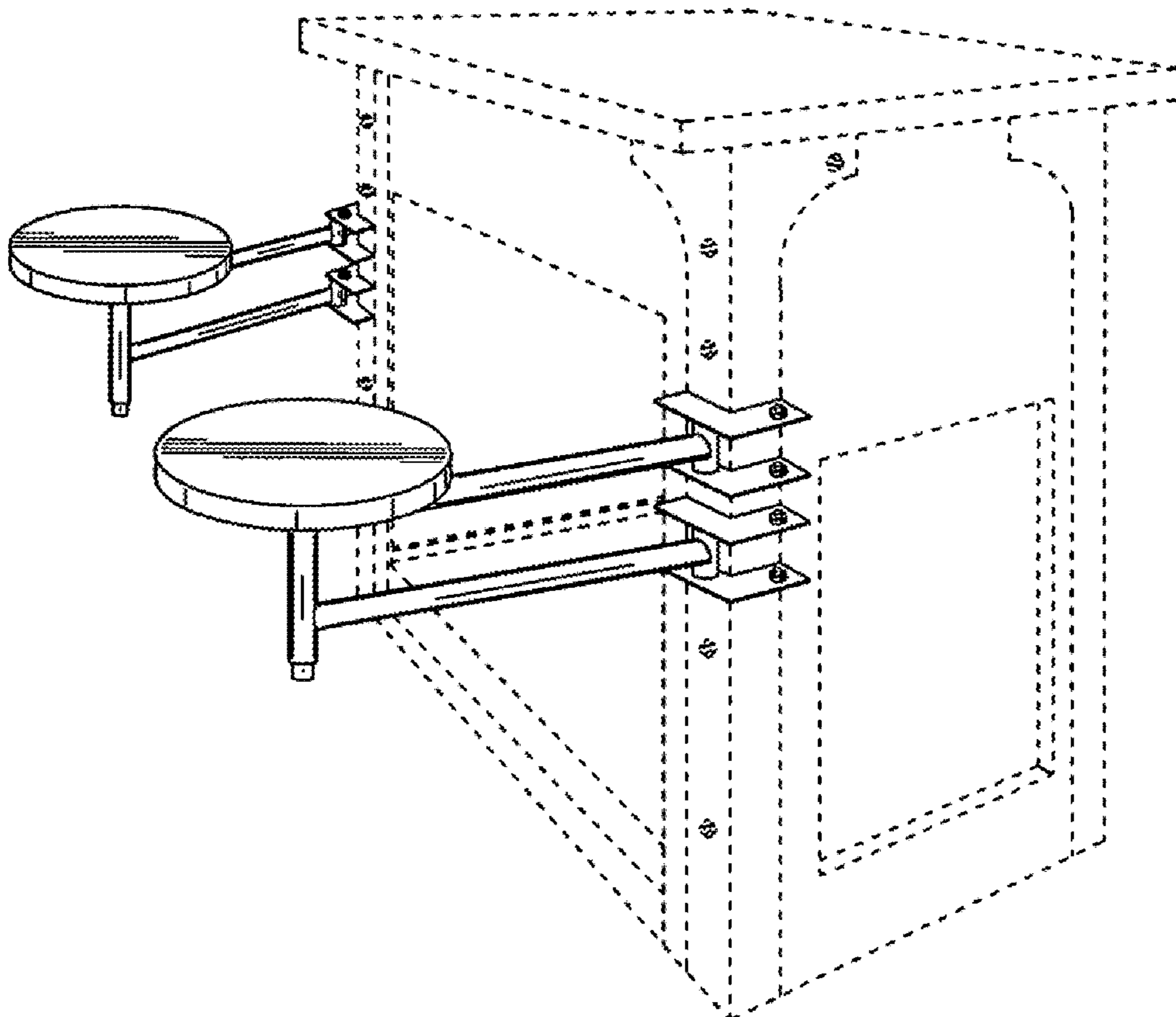
FIG. 2 is a front view thereof; wherein the left seat is not inclined toward the right seat.

FIG. 3. a top view of FIG. 2; and,

FIG. 4 a left side view of FIG. 2.

The broken line showing of portions of the swinging seats is included for the purpose of illustrating environmental structure and forms no part of the claimed design.

1 Claim, 2 Drawing Sheets



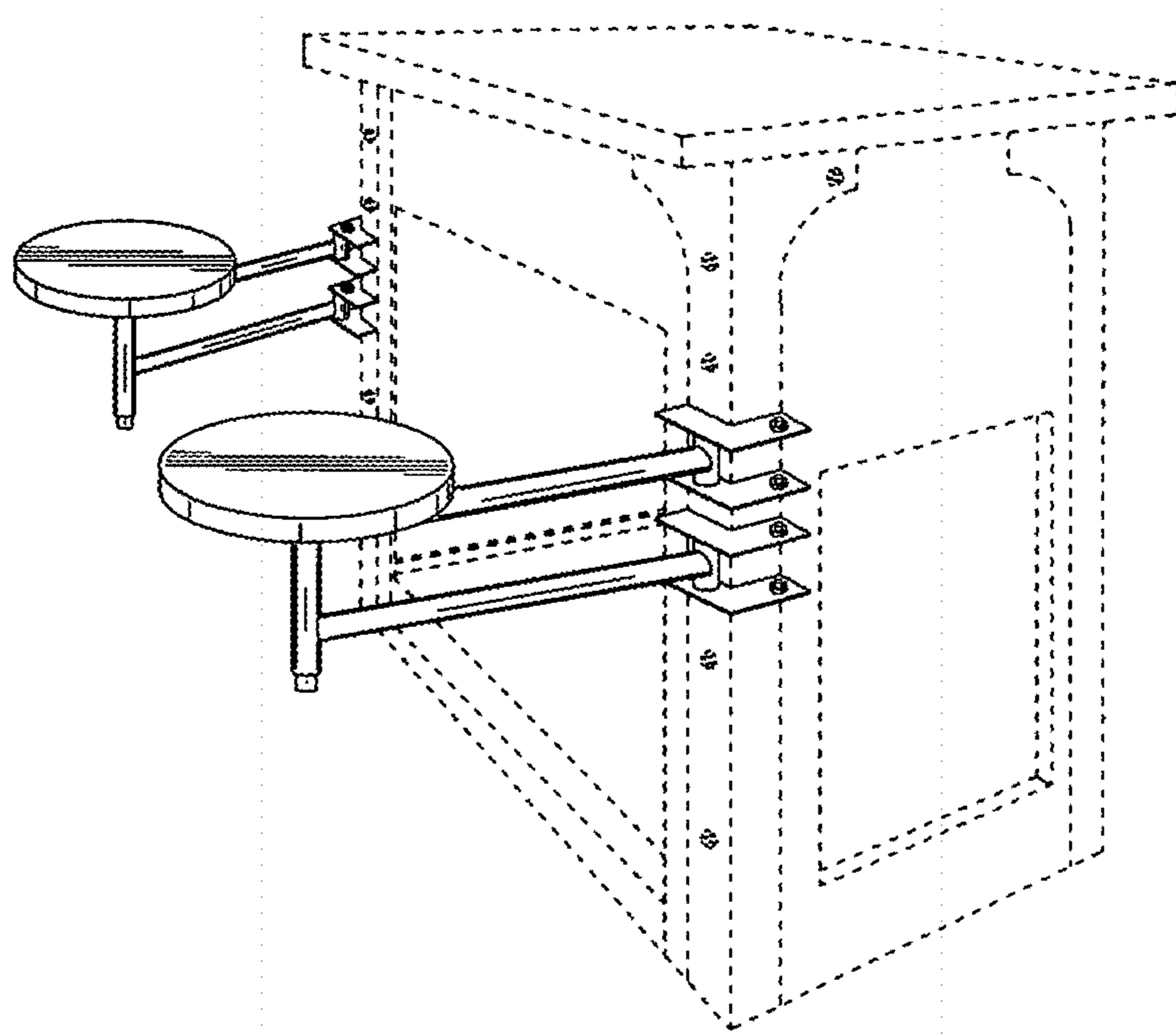


FIG. 1

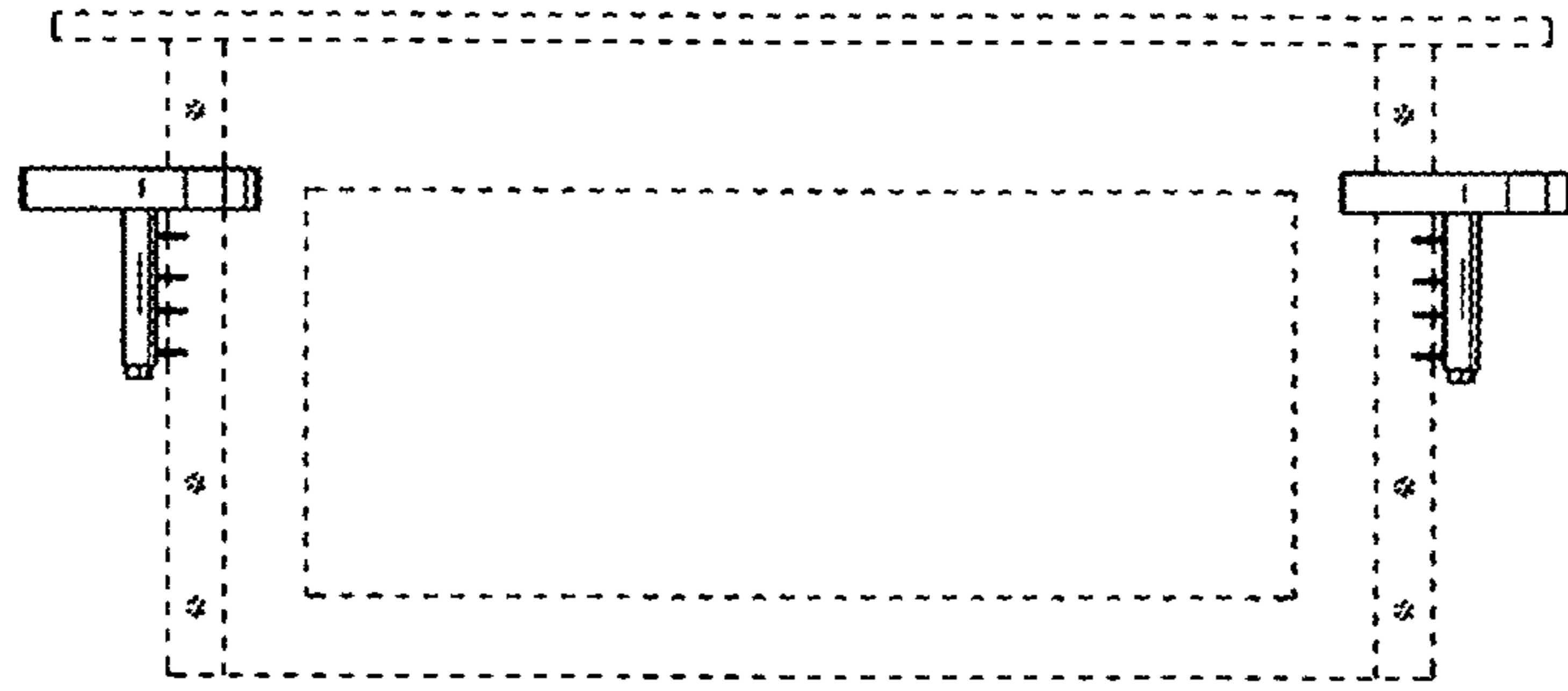


FIG. 2

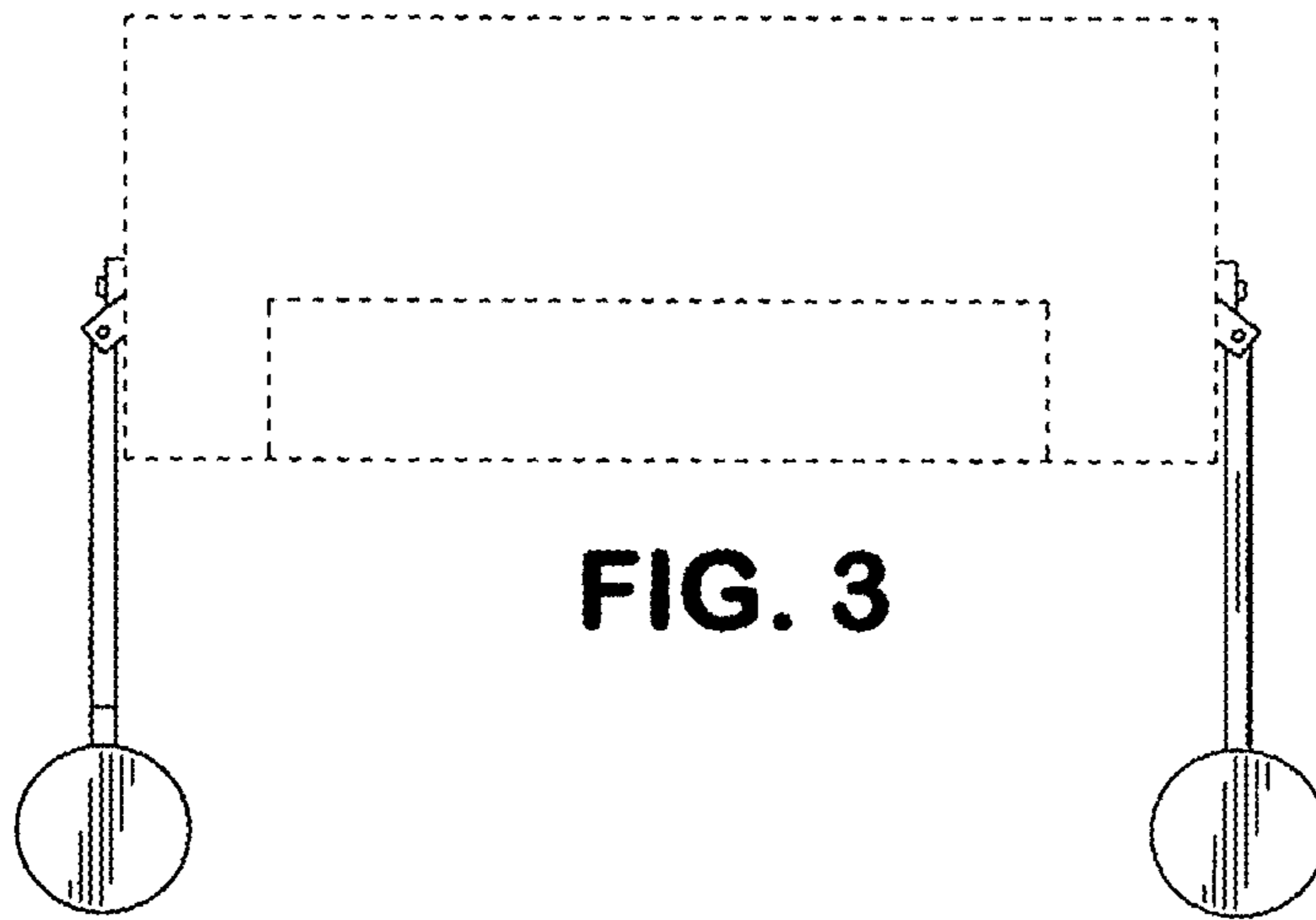


FIG. 3

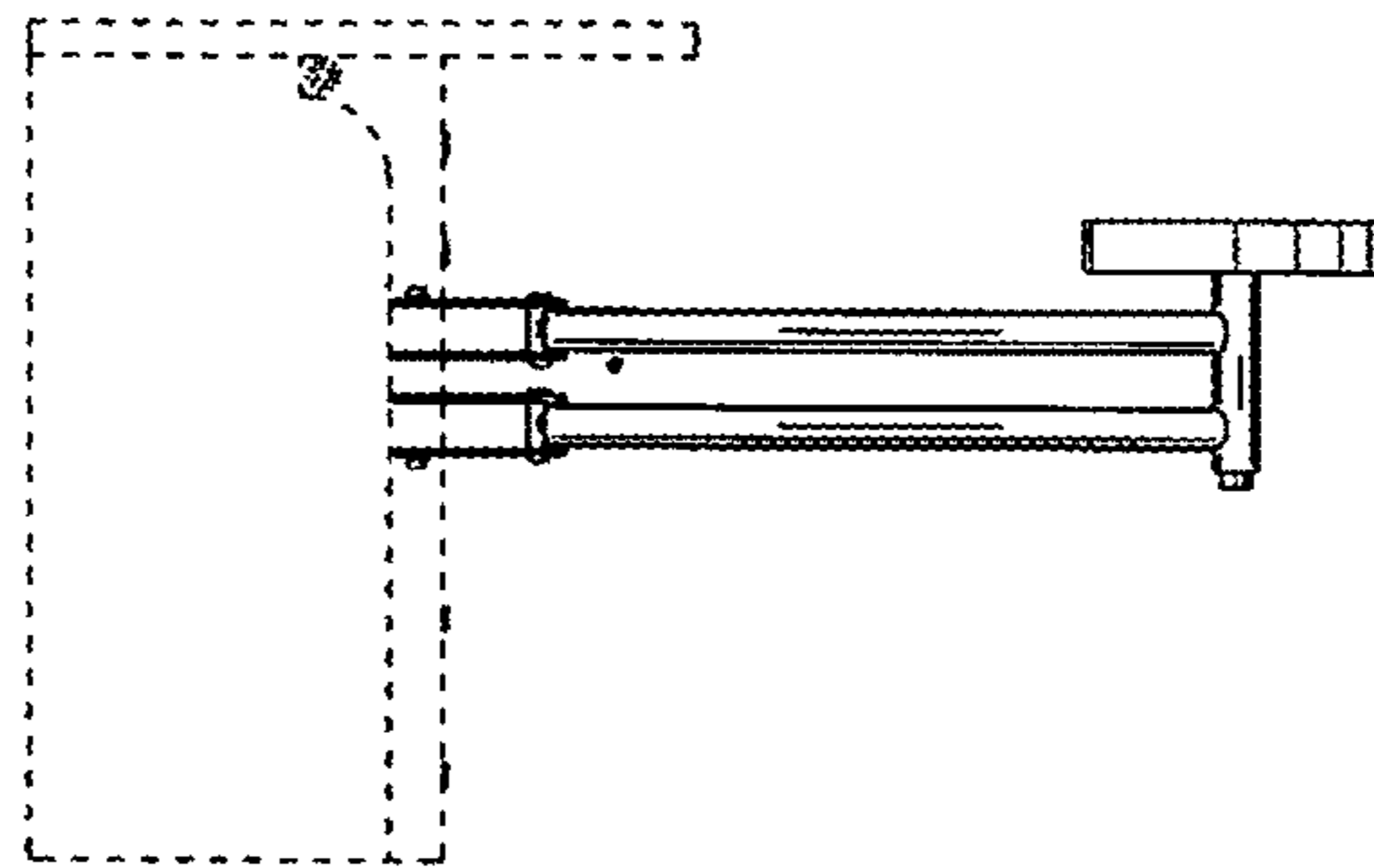


FIG. 4