



US00D894615S

(12) **United States Design Patent**
Yang

(10) **Patent No.:** **US D894,615 S**

(45) **Date of Patent:** **** Sep. 1, 2020**

(54) **MAKEUP MIRROR**
(71) Applicant: **DONGGUAN POWERME PLASTIC MFG. CO., LTD.**, Dongguan (CN)
(72) Inventor: **Guowei Yang**, Dongguan (CN)
(73) Assignee: **DONGGUAN POWERME PLASTIC MFG. CO. LTD.**, Dongguan (CN)
(**) Term: **15 Years**

D801,059 S 10/2017 Gan
D830,070 S * 10/2018 Liu D6/309
D830,706 S * 10/2018 Pitot D6/309
D840,699 S * 2/2019 Xie D6/309
D850,125 S * 6/2019 Wang D6/309
D865,375 S * 11/2019 Yang A45D 42/10
D6/310
D869,863 S * 12/2019 Liu F21V 33/004
D6/310
D874,161 S * 2/2020 Yang D6/309
10,652,447 B1 * 5/2020 Pestl F21V 33/004
2019/0003699 A1 * 1/2019 Mondora A45D 42/10

* cited by examiner

(21) Appl. No.: **29/731,268**

(22) Filed: **Apr. 14, 2020**

Primary Examiner — Mary Ann Calabrese

(51) **LOC (12) Cl.** **06-07**

(57) **CLAIM**

(52) **U.S. Cl.**
USPC **D6/309**; D6/308; D6/312

The ornamental design for a makeup mirror, as shown and described.

(58) **Field of Classification Search**
USPC D6/300–314; D12/189, 191; D16/221;
D19/114; D20/10, 41, 42; D26/51;
D28/64.1, 64.6
CPC ... A47G 1/00; A47G 1/02; A47G 1/14; A47G
1/24; A47G 2001/002; A47G 2001/0056;
A47G 2001/007; A45D 42/00; A45D
42/10; A45D 42/12; A45D 42/16; A45D
42/24; F21V 21/26; F21V 21/30; F21V
3/00; F21V 3/004; G09F 15/0056; B60J
3/0282; G09B 19/00; B62B 9/005; G02B
7/198

DESCRIPTION

See application file for complete search history.

FIG. 1 is a front perspective view of a makeup mirror showing my new design;
FIG. 2 is a rear perspective view thereof;
FIG. 3 is a front elevational view thereof;
FIG. 4 is a rear elevational view thereof;
FIG. 5 is a left side elevational view thereof;
FIG. 6 is a right side elevational view thereof;
FIG. 7 is a top plan view thereof;
FIG. 8 is a bottom plan view thereof; and,
FIG. 9 is a front perspective view of the makeup mirror where the makeup mirror is in an alternate configuration of use.

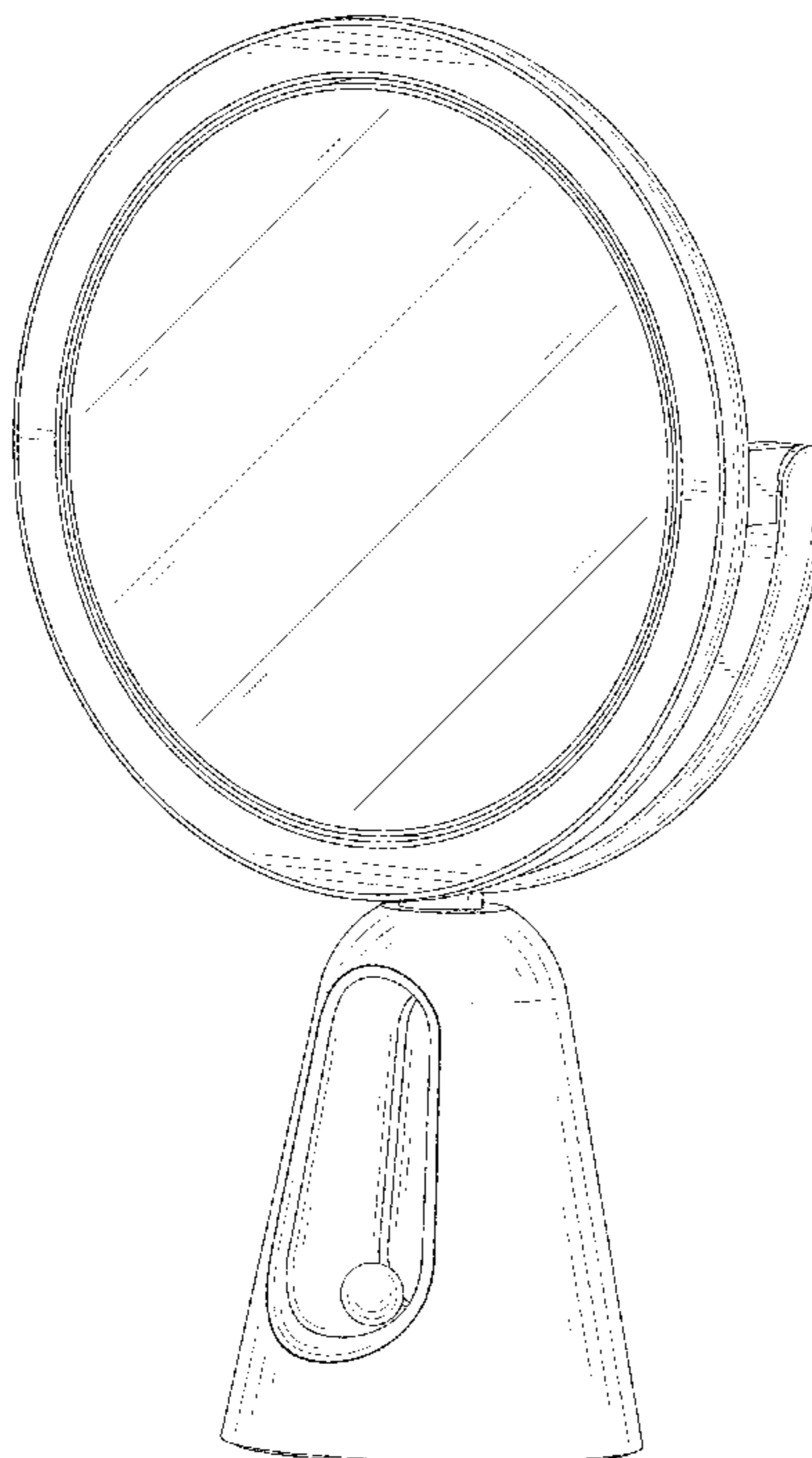
The broken lines in the drawings depict portions of the makeup mirror that form no part of the claimed design.

(56) **References Cited**

U.S. PATENT DOCUMENTS

D226,248 S * 1/1973 Krusche D6/308
D738,118 S * 9/2015 Gyanendra D6/310

1 Claim, 9 Drawing Sheets



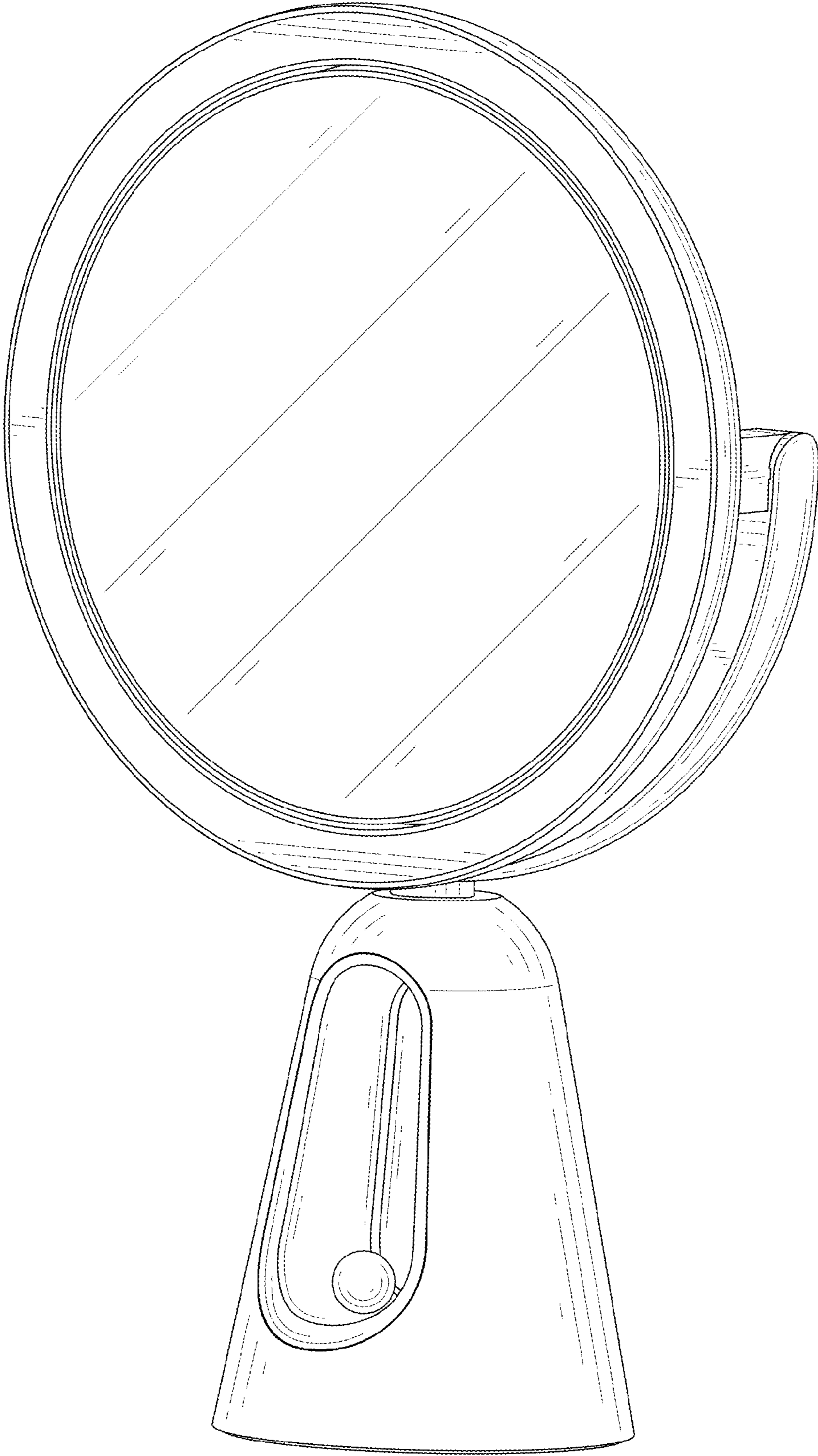


FIG. 1

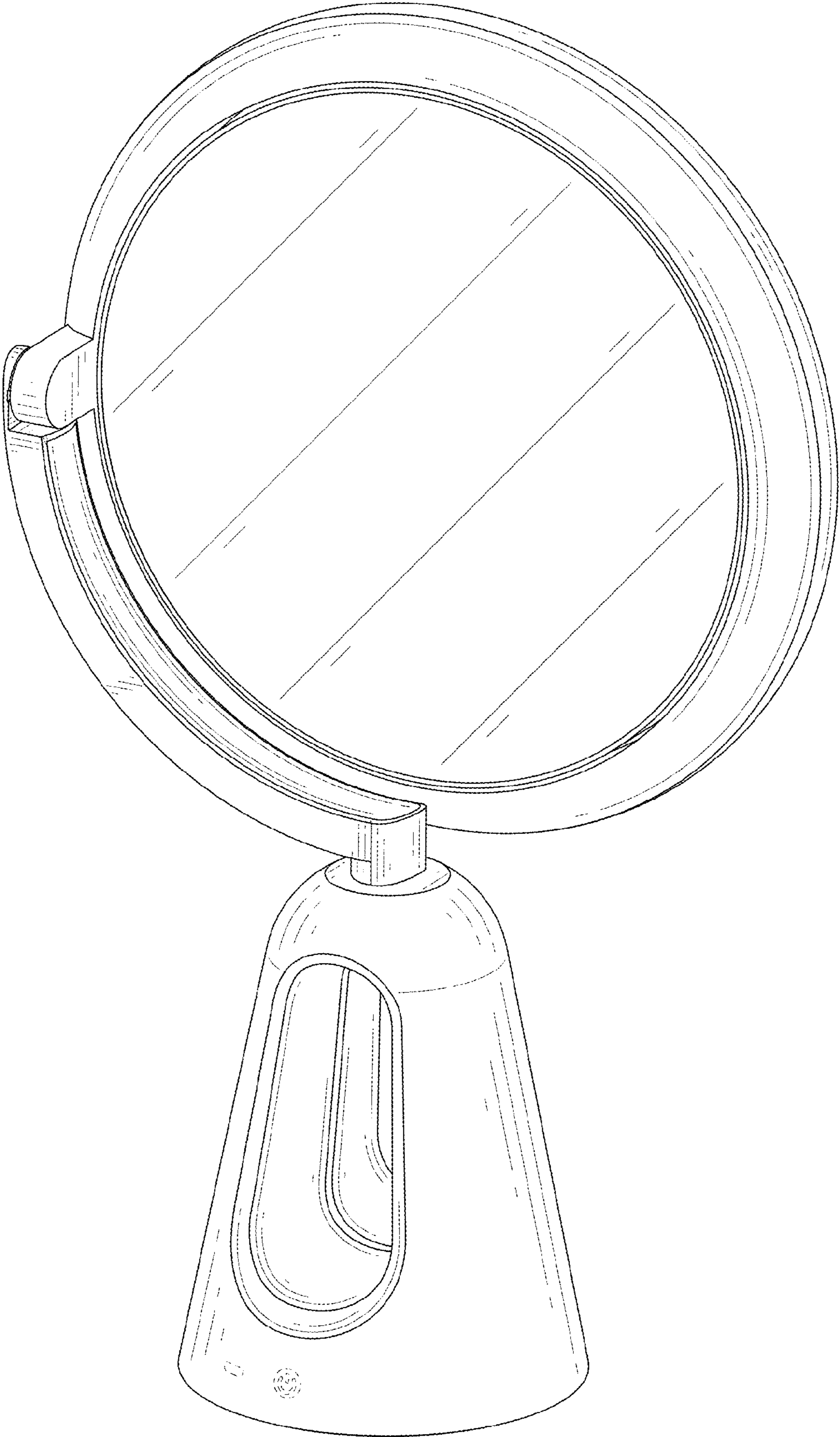


FIG. 2

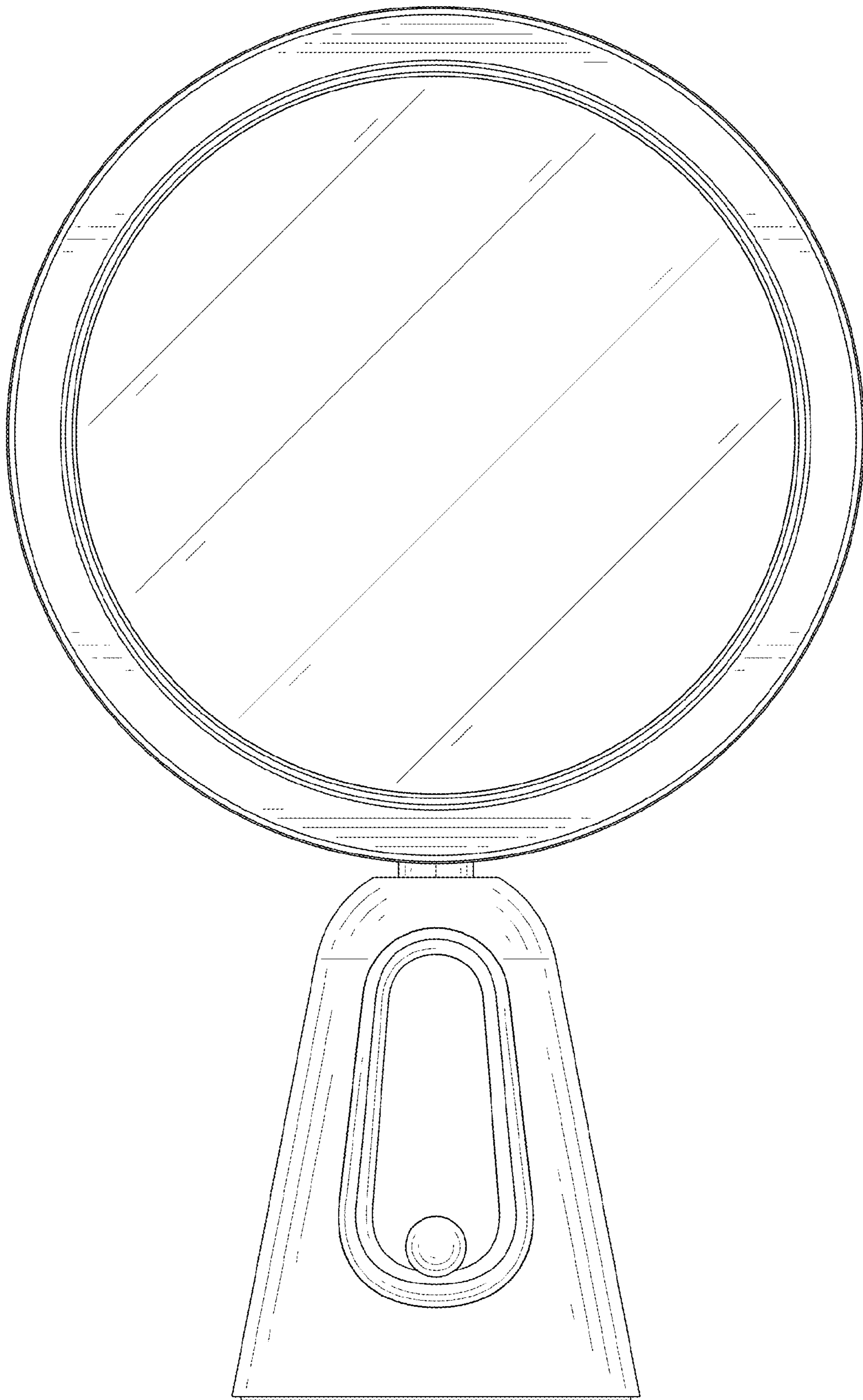


FIG. 3

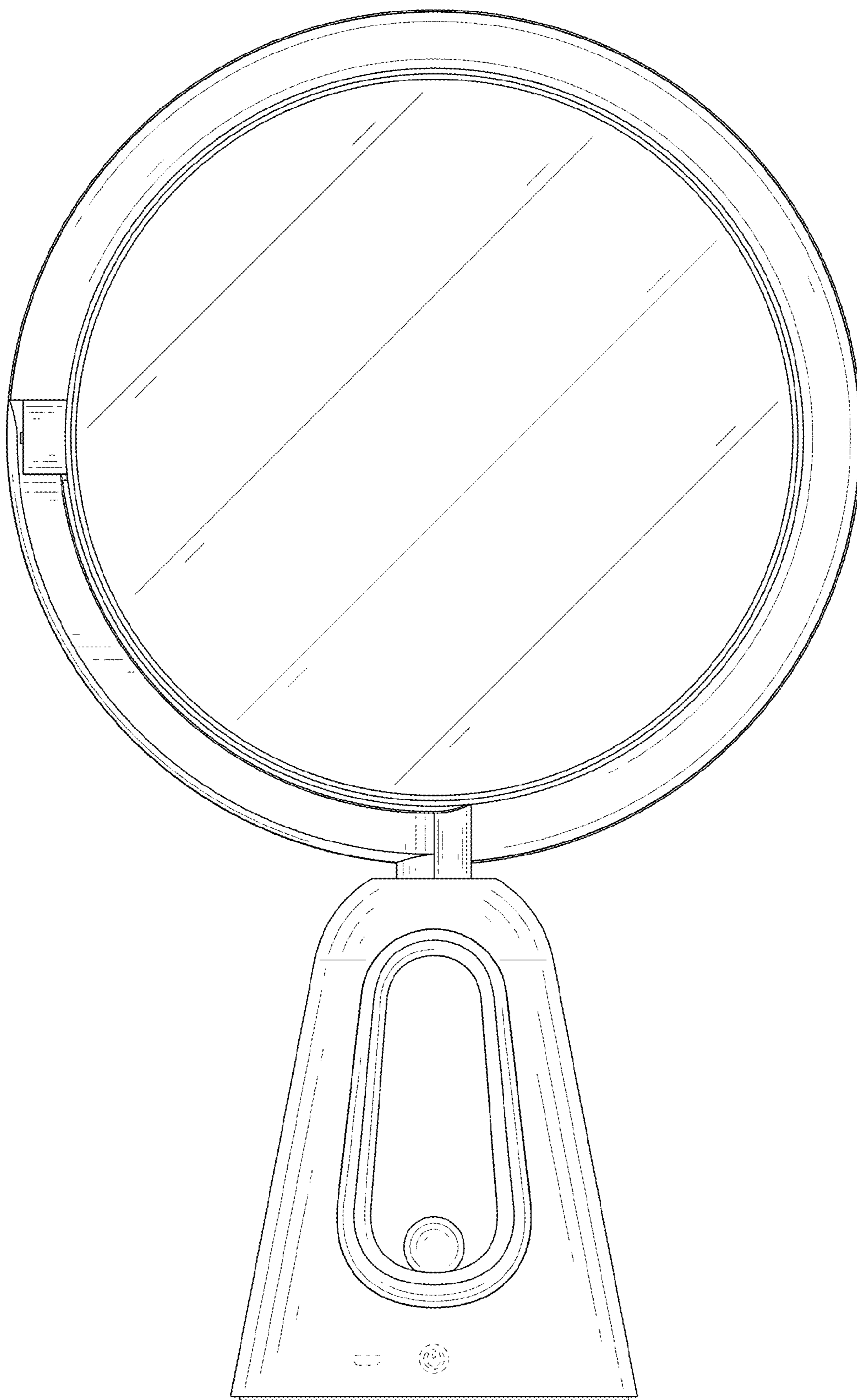


FIG. 4

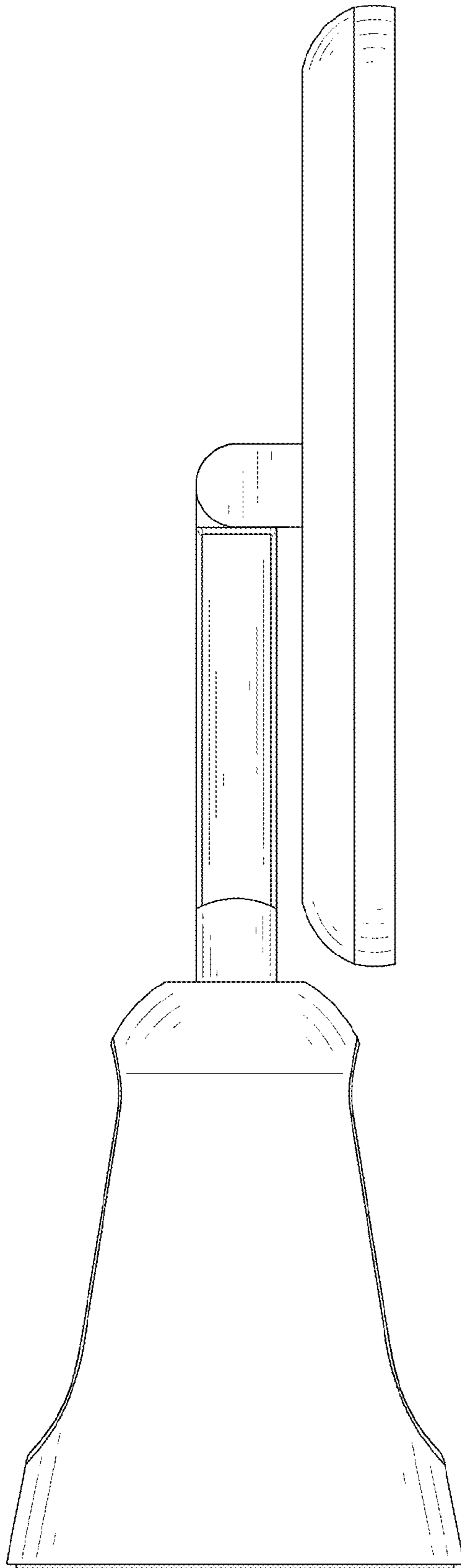


FIG. 5

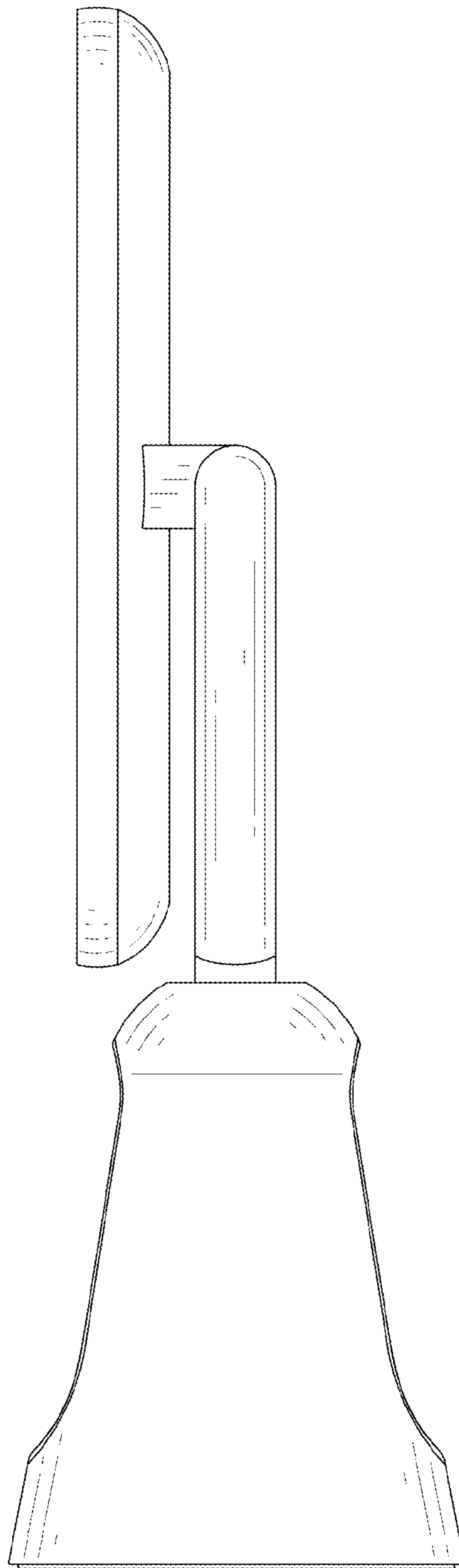


FIG. 6

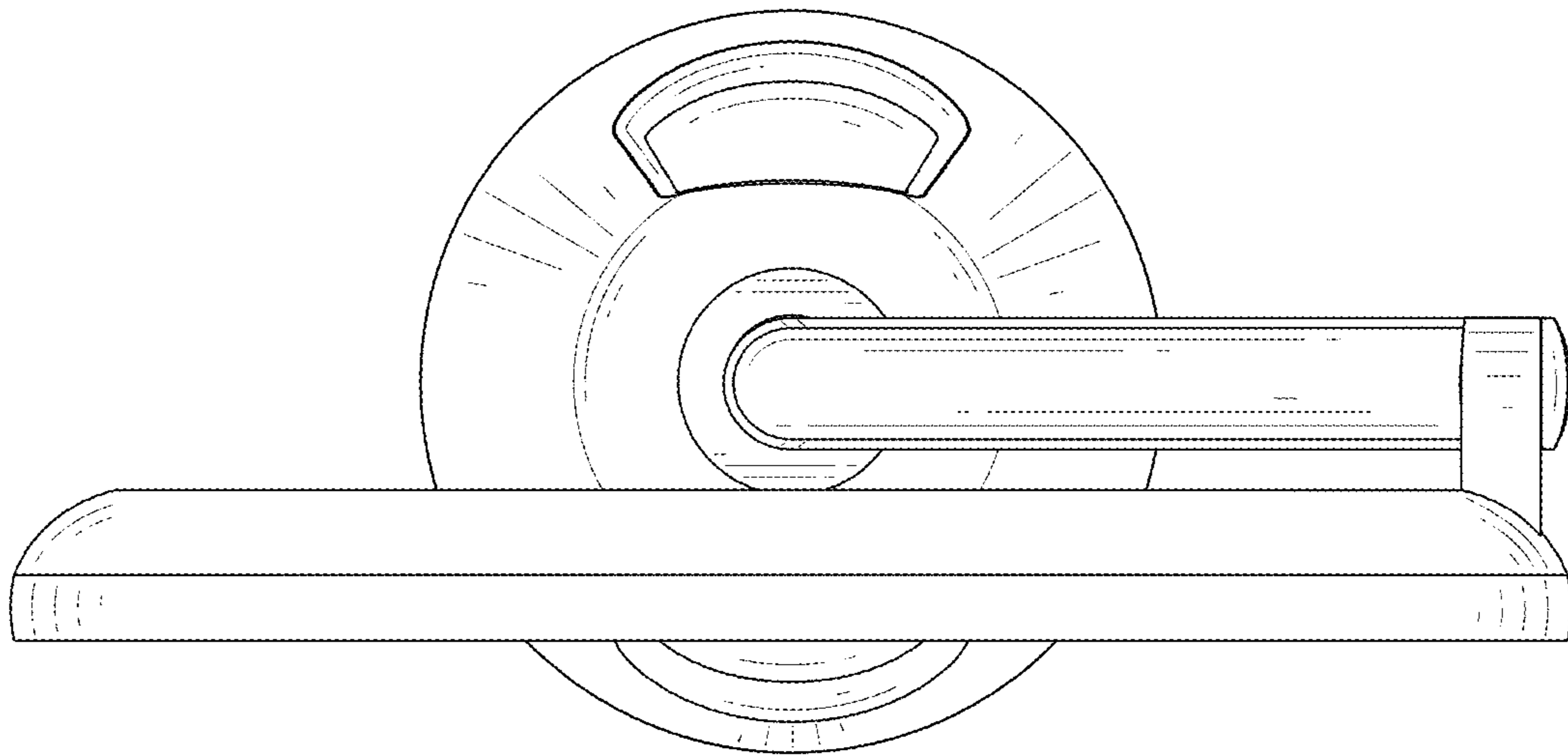


FIG. 7

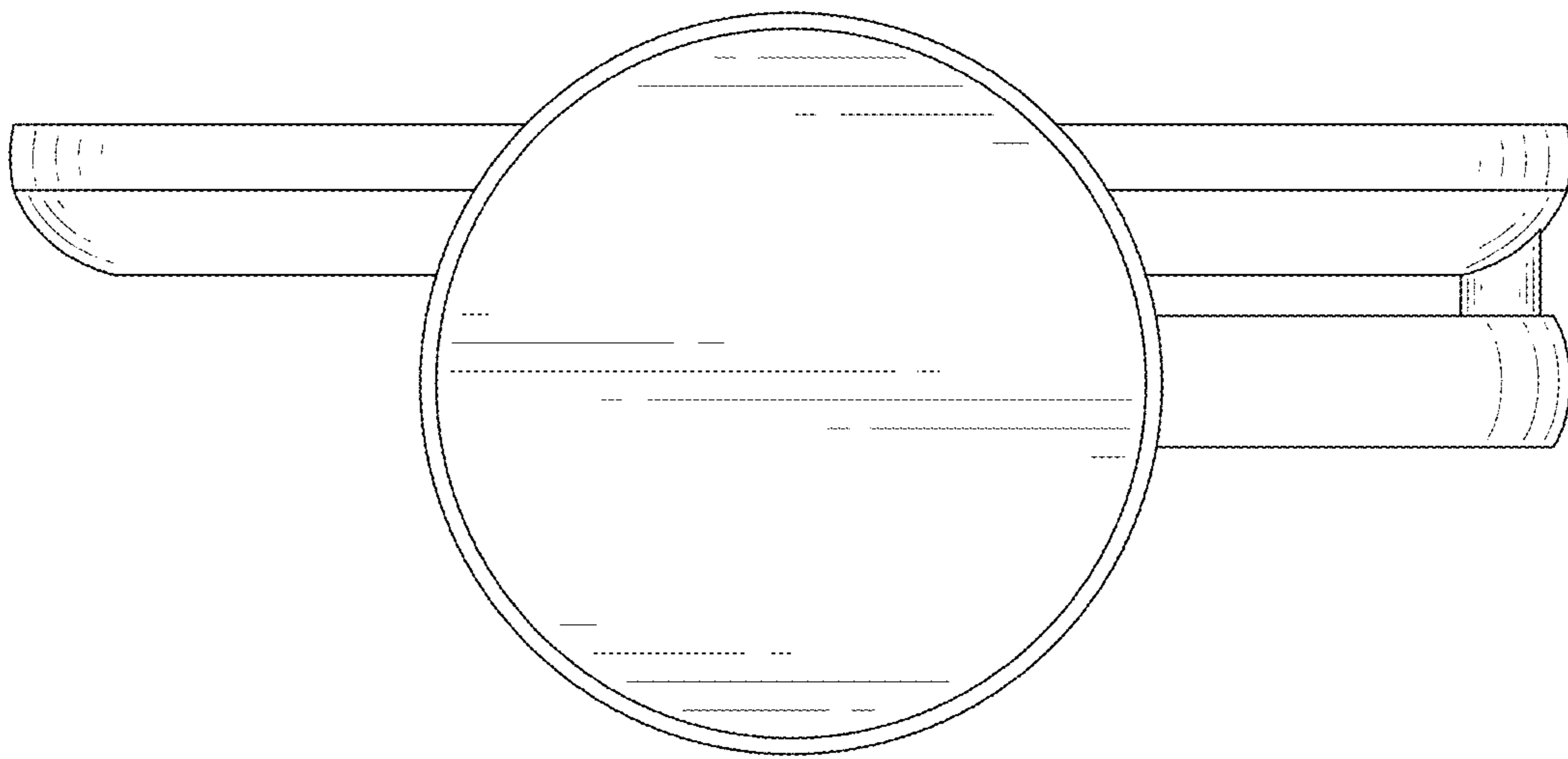


FIG. 8

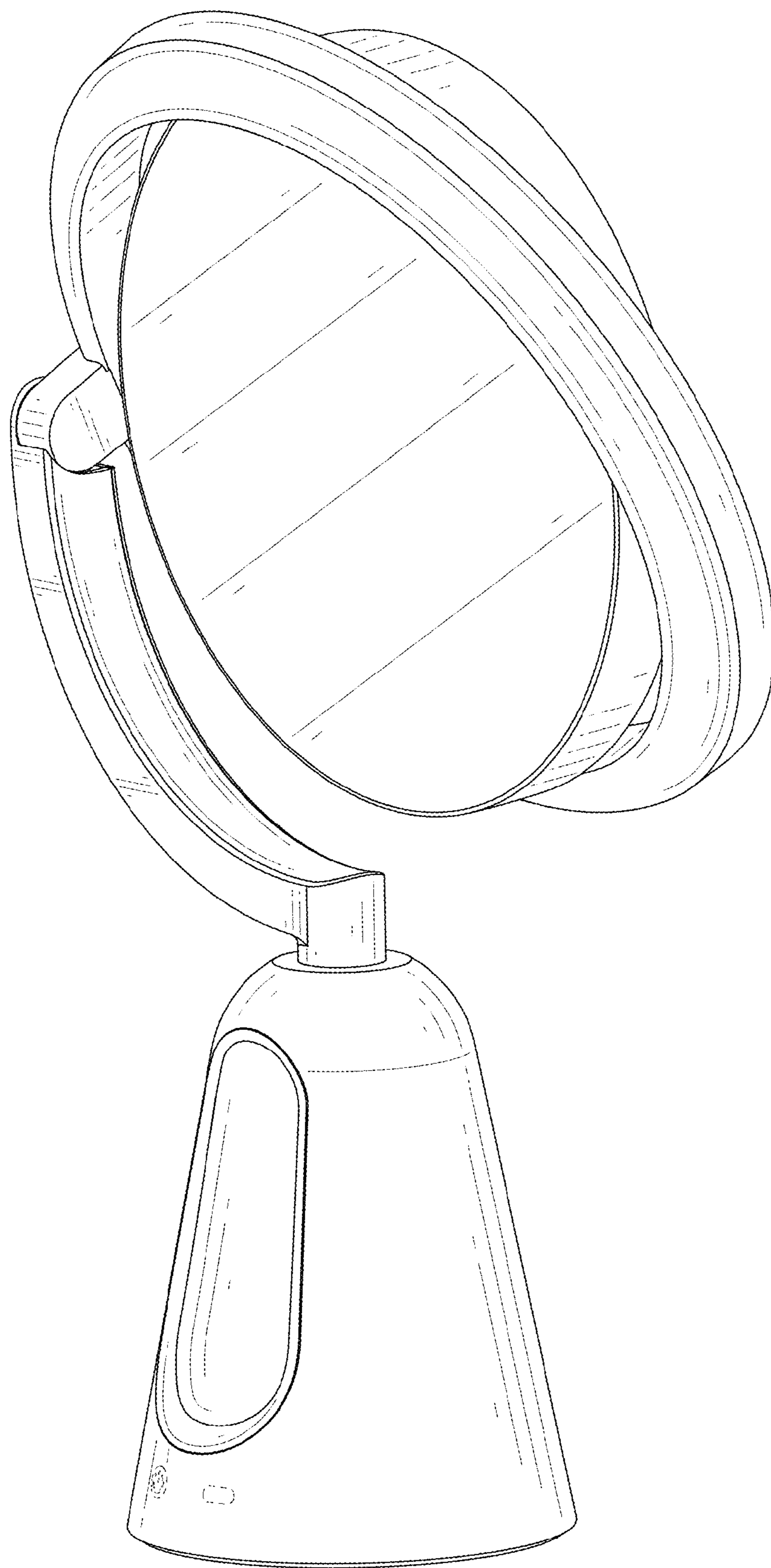


FIG. 9