



US00D894614S

(12) **United States Design Patent** (10) **Patent No.:** **US D894,614 S**
Chen (45) **Date of Patent:** **** Sep. 1, 2020**

(54) **COSMETIC MIRROR**
(71) Applicant: **Shenzhen GuanQi E-Commerce Co., Ltd.**, Shenzhen (CN)
(72) Inventor: **Haina Chen**, Shenzhen (CN)
(**) Term: **15 Years**
(21) Appl. No.: **29/702,468**
(22) Filed: **Aug. 20, 2019**
(51) **LOC (12) Cl.** **06-07**
(52) **U.S. Cl.**
USPC **D6/309**; D6/300
(58) **Field of Classification Search**
USPC D6/300, 301, 302, 303, 304, 307, 308,
D6/309, 310, 311, 312, 313, 314;
D14/336, 341, 371, 372, 374, 381, 382,
D14/448, 450
CPC A47G 1/0616; A47G 1/142; A47G
2001/0694; A47G 1/06; A47G 1/0605;
A47G 1/0633; A47G 1/0638; A47G
1/0644; A47G 1/08; A47G 1/10; A47G
1/14; A47G 1/141; A47G 1/16; A47G
1/1606; A47G 1/1613; A47G 2001/0661;
A47G 2001/0672; A47G 2001/0688;
A47G 2001/148; A47G 1/00; A47G 1/02;
G06F 1/1654
See application file for complete search history.

D865,375 S * 11/2019 Yang D6/310
D873,574 S * 1/2020 Wei D6/309
D874,161 S * 2/2020 Yang D6/309
D879,481 S * 3/2020 Yang D6/309
D885,769 S * 6/2020 Wang D6/309

OTHER PUBLICATIONS

Modern Ornate Glam Lighted Magnifying Makeup Mirror [online], [site visited Jul. 15, 2020]. Available from internet, URL:<<https://www.wayfair.com/decor-pillows/pdp/fancii-modern-ornate-glam-lighted-magnifying-makeup-mirror-fnci1004.html>> (Year: 2020).*

* cited by examiner

Primary Examiner — Cynthia Ramirez
Assistant Examiner — Xavier Marti-Santos
(74) *Attorney, Agent, or Firm* — ZANIP

(57) **CLAIM**

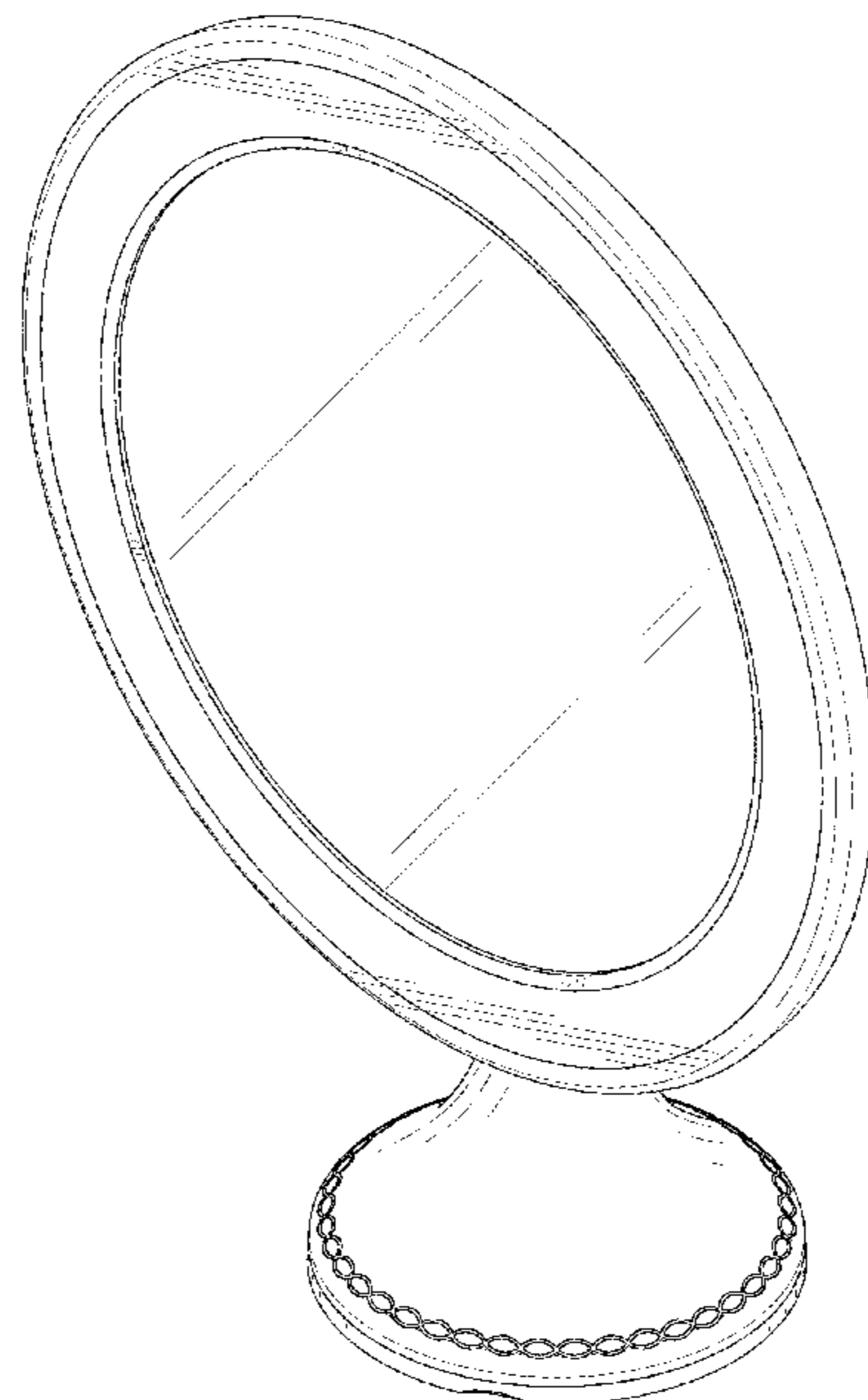
The ornamental design for a cosmetic mirror, as shown and described.

DESCRIPTION

FIG. 1 is a front and top perspective view of a cosmetic mirror, showing my new design;
FIG. 2 is a rear and bottom perspective view thereof;
FIG. 3 is a front elevational view thereof;
FIG. 4 is a rear elevational view thereof;
FIG. 5 is a left side elevational view thereof;
FIG. 6 is a right side elevational view thereof;
FIG. 7 is a top plan view thereof; and,
FIG. 8 is a bottom plan view thereof.
The broken lines in the figures illustrate portions of the cosmetic mirror that form no part of the claimed design.

1 Claim, 8 Drawing Sheets

(56) **References Cited**
U.S. PATENT DOCUMENTS
D701,050 S * 3/2014 Yang D6/309
D737,060 S * 8/2015 Yang D6/310
D829,007 S * 9/2018 Choi D6/310
D840,699 S * 2/2019 Xie D6/309
D846,288 S * 4/2019 Yang D6/309
D850,125 S * 6/2019 Wang D6/309



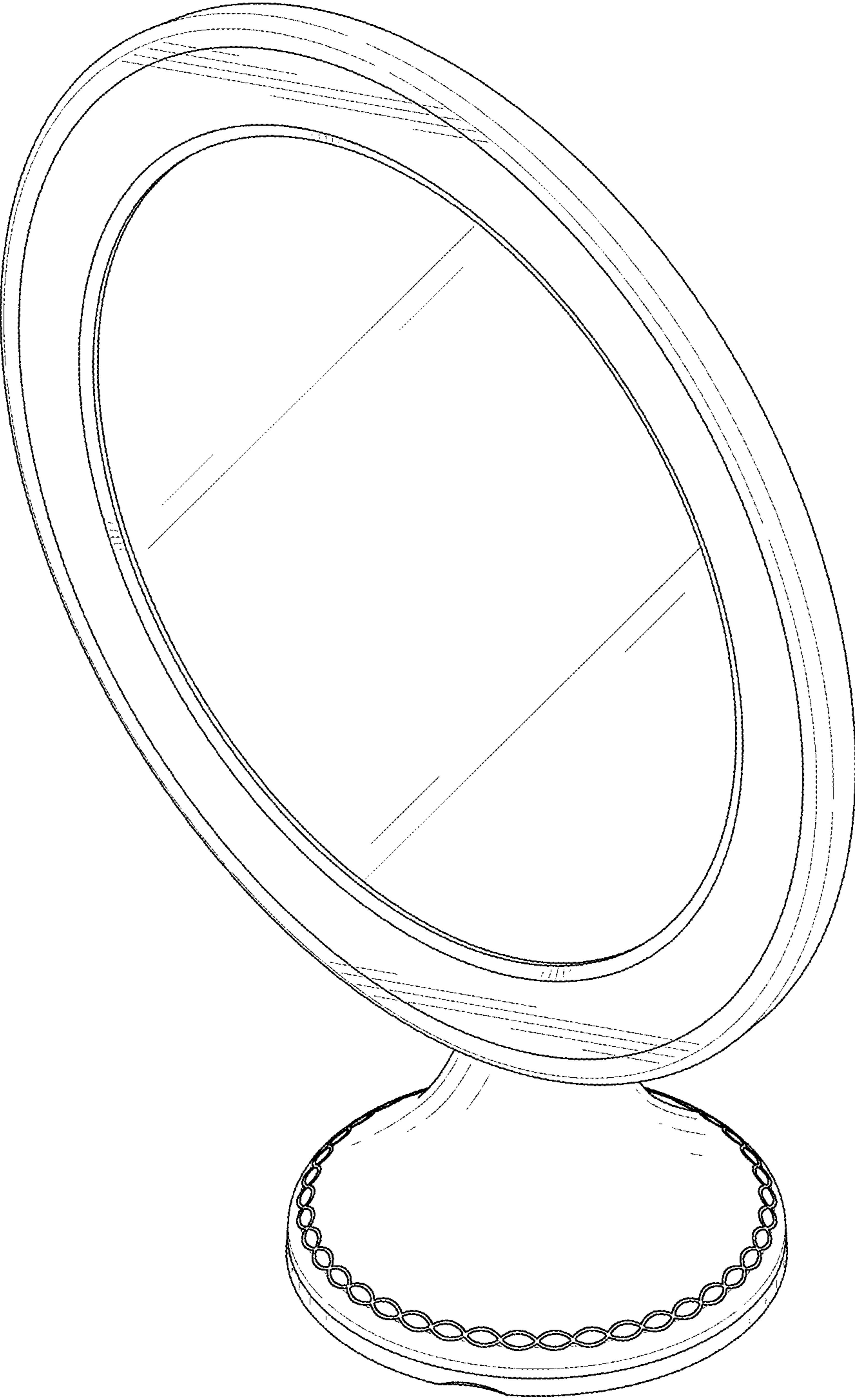


FIG. 1

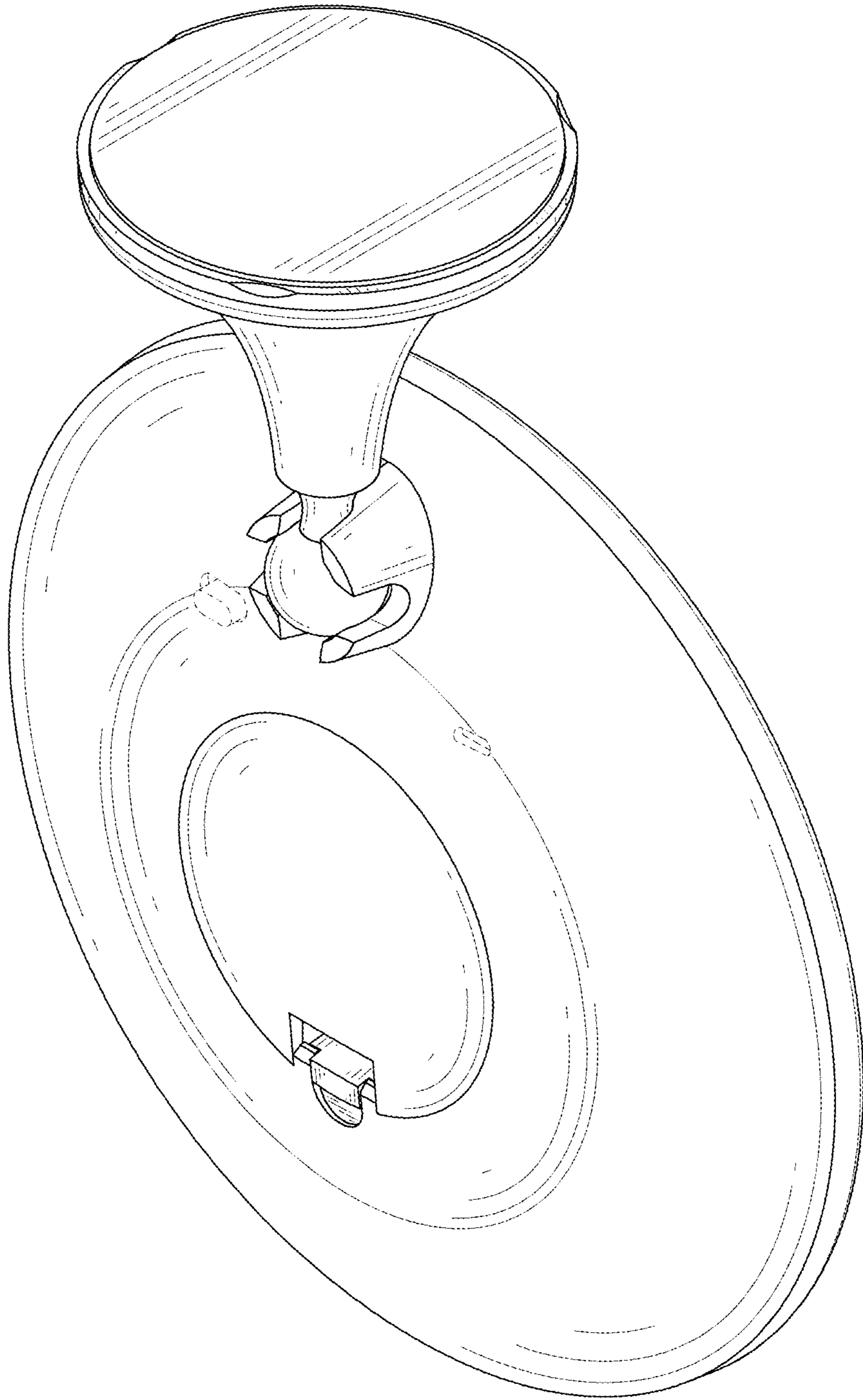


FIG. 2

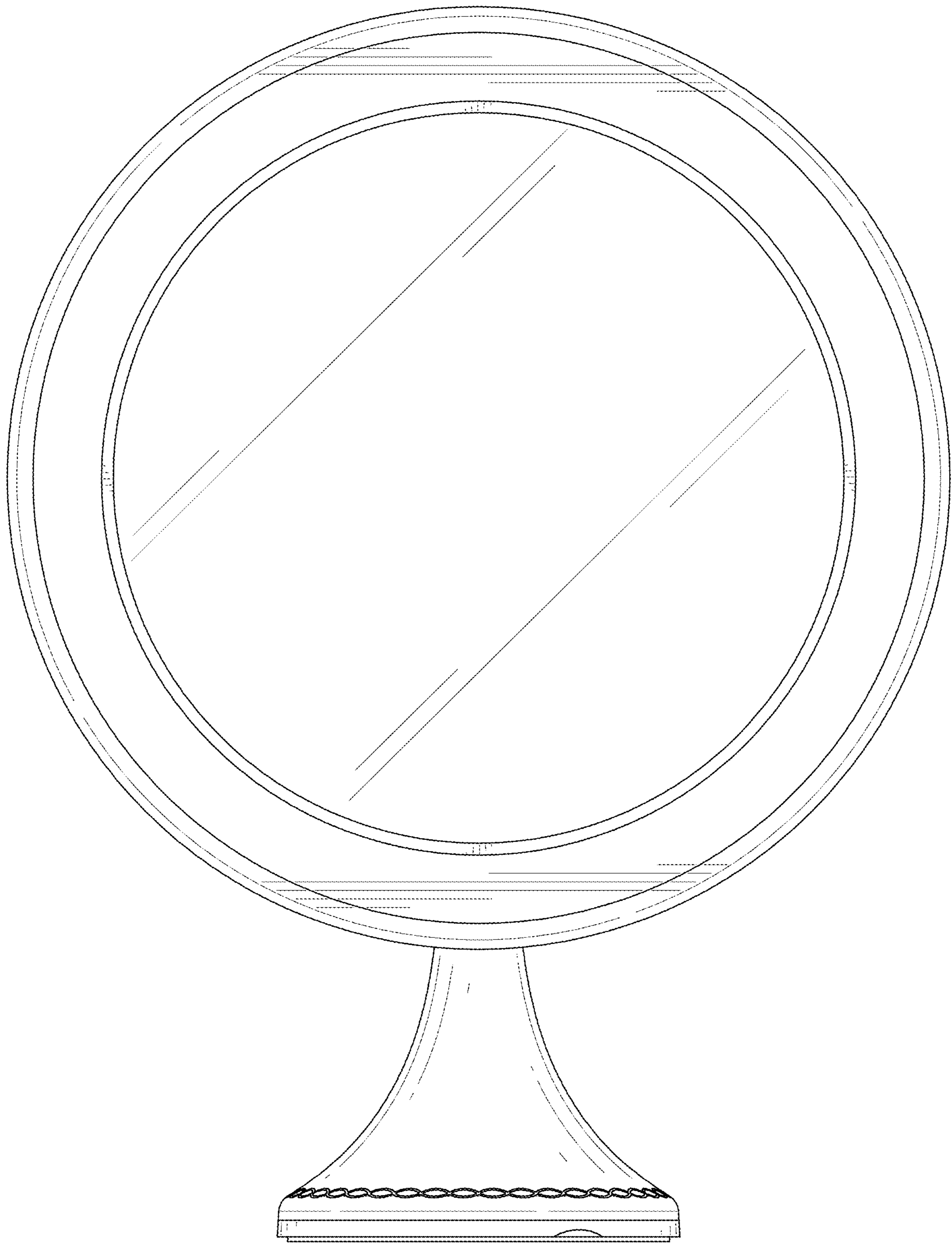


FIG. 3

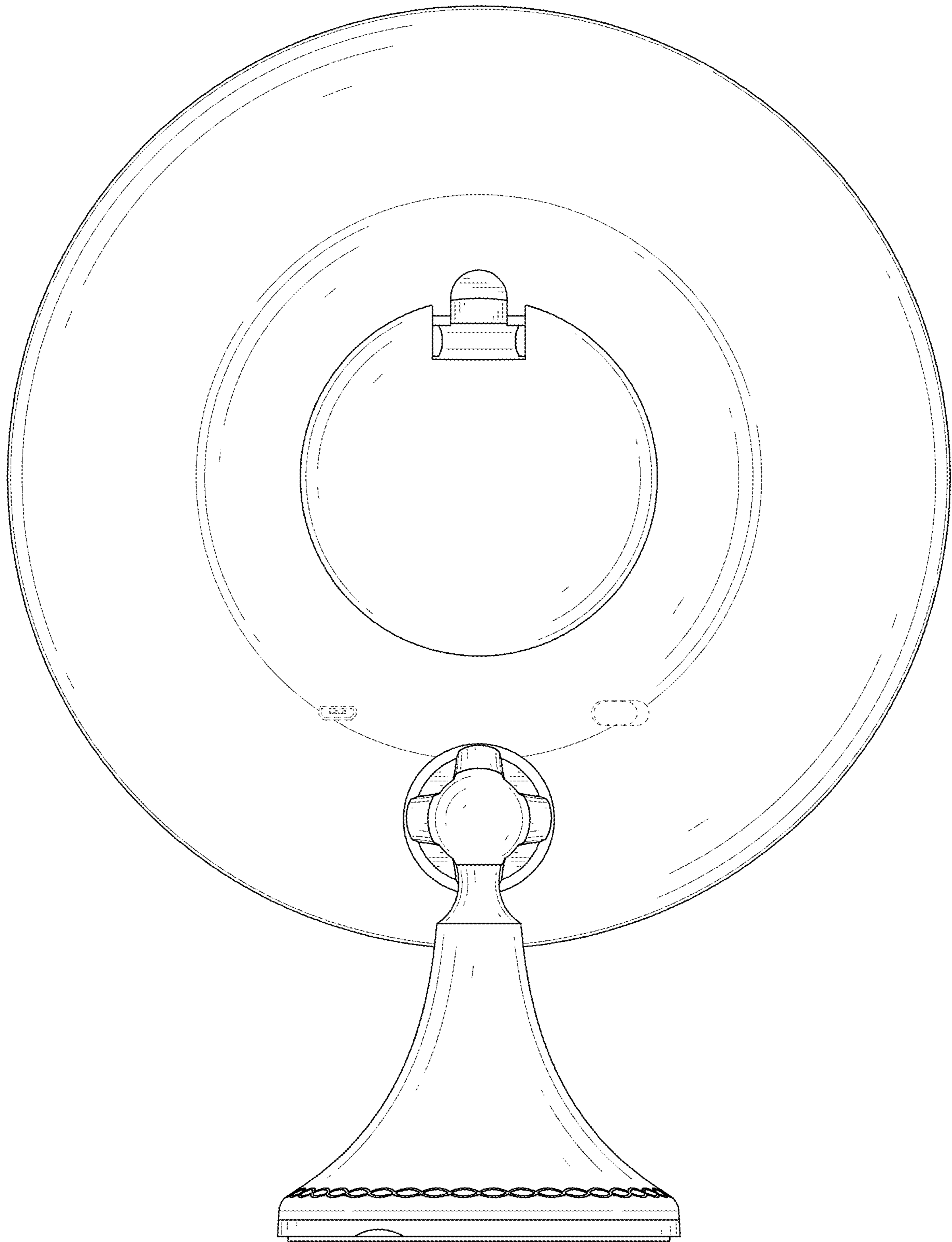


FIG. 4

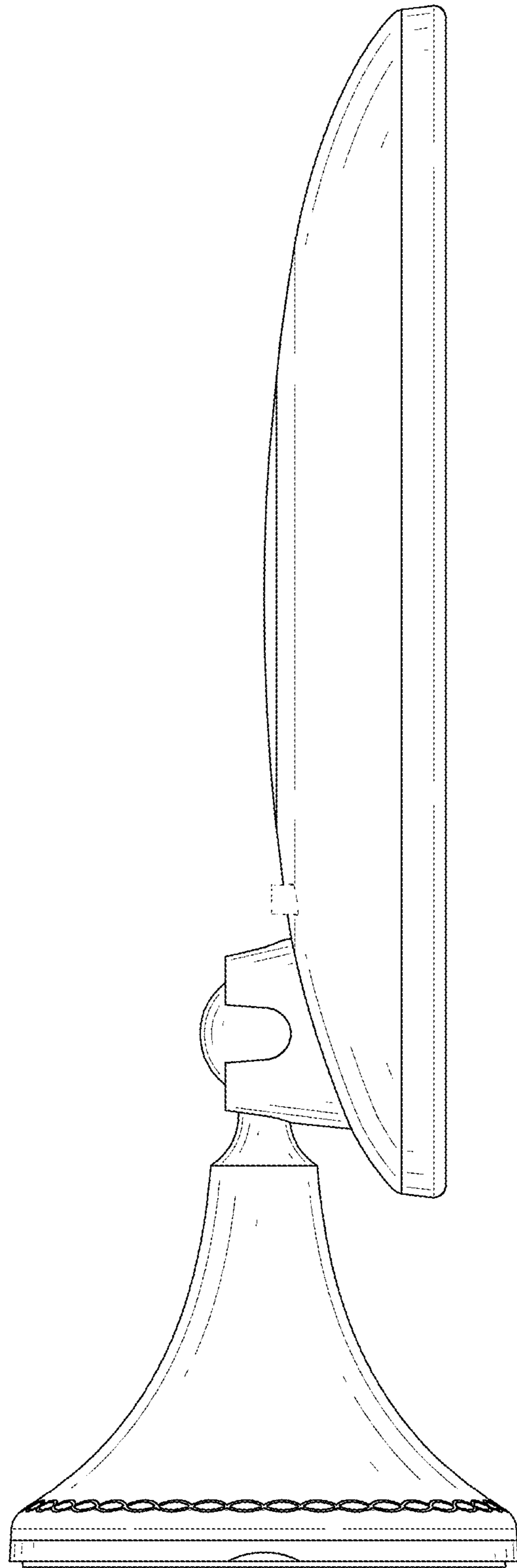


FIG. 5

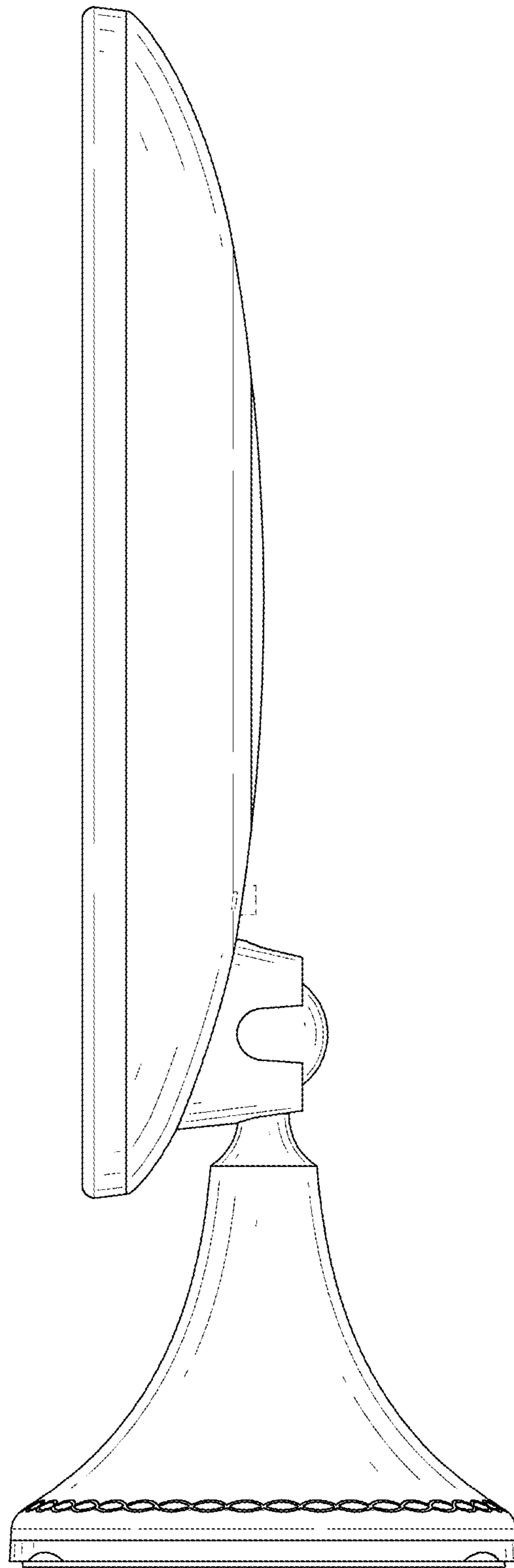


FIG. 6

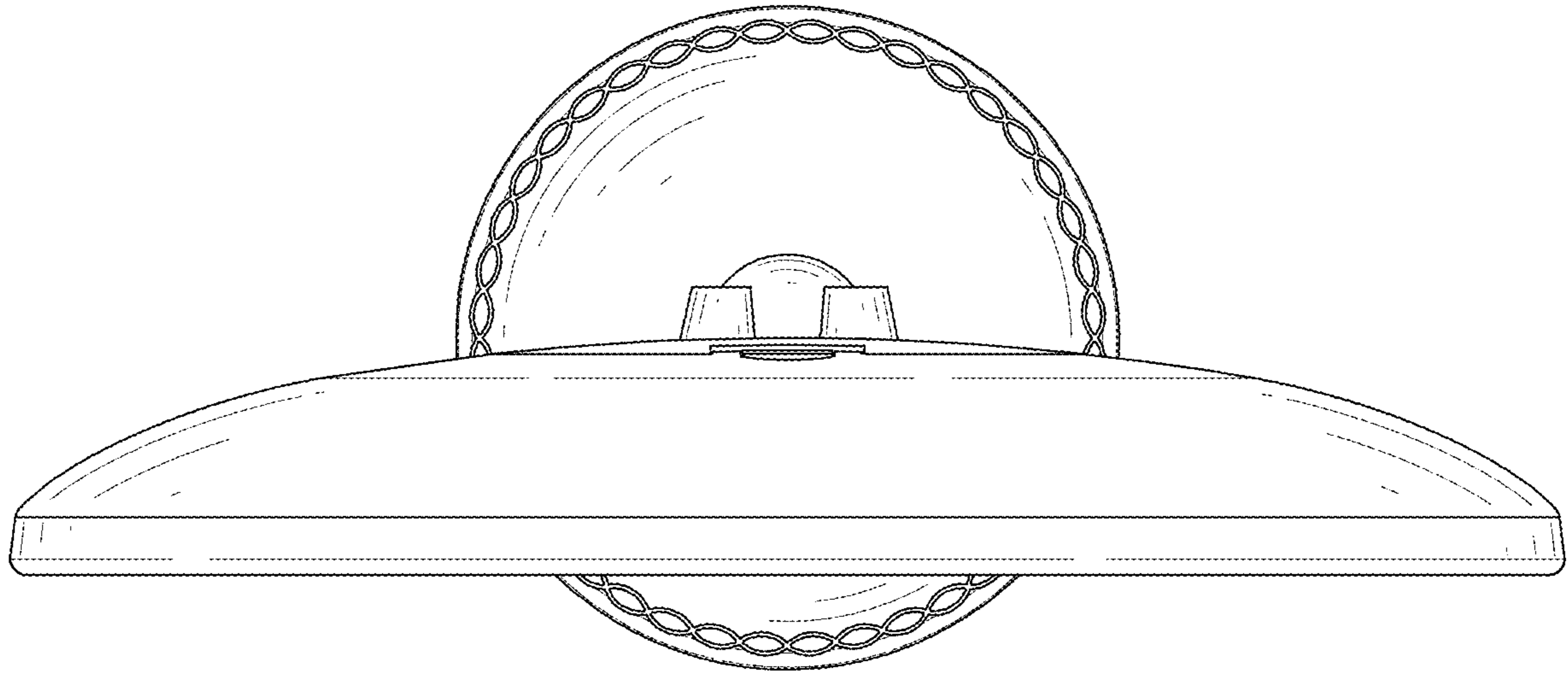


FIG. 7

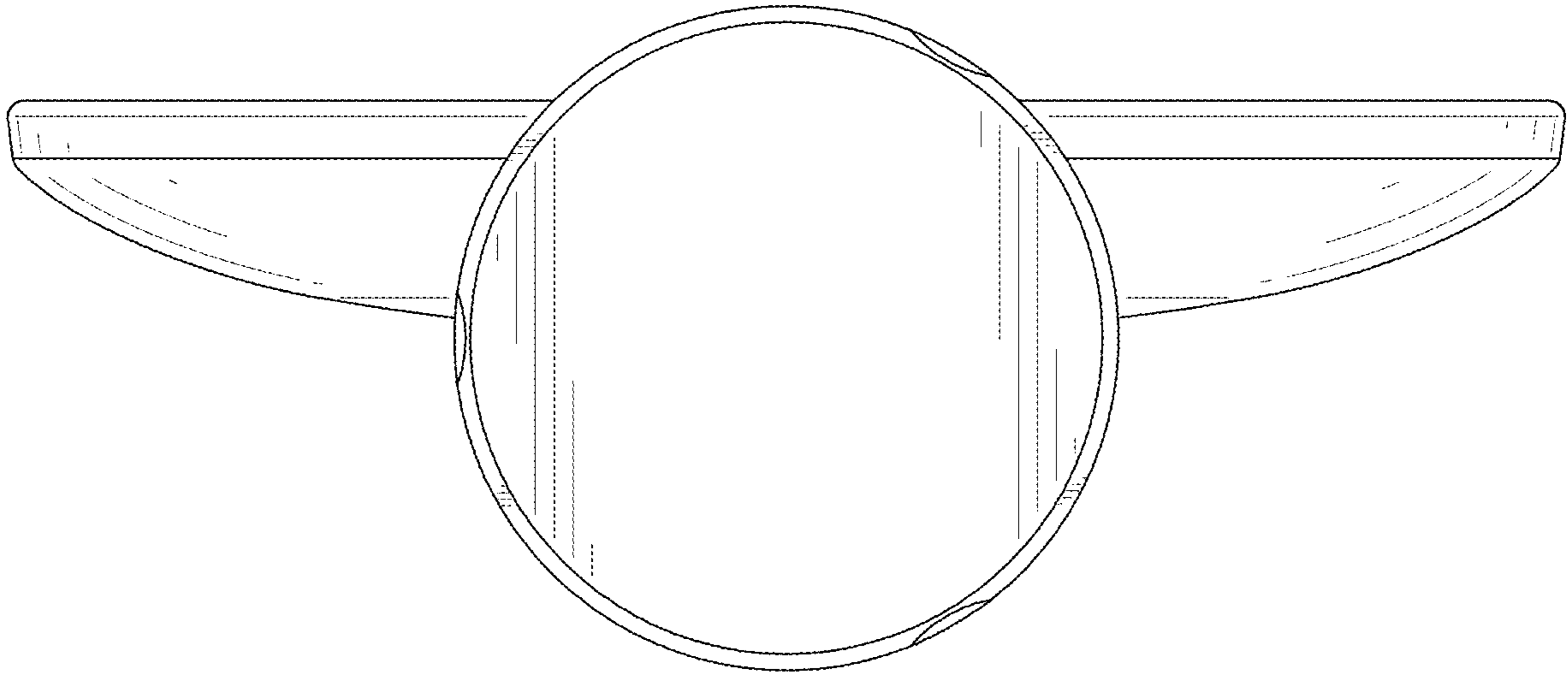


FIG. 8