



US00D894611S

(12) **United States Design Patent**  
**Wong et al.**

(10) **Patent No.: US D894,611 S**  
(45) **Date of Patent: \*\* Sep. 1, 2020**

- (54) **POWERED BRUSH HANDLE**
- (71) Applicant: **L’Oreal USA Creative, Inc.**, New York, NY (US)
- (72) Inventors: **Suk P. Wong**, Sammamish, WA (US); **Scott W. Straka**, Kirkland, WA (US); **Christopher Kuh**, San Francisco, CA (US); **Sang Ik Lee**, San Francisco, CA (US)
- (73) Assignee: **L’Oréal USA Creative, Inc.**, New York, NY (US)

8,523,791 B2 \* 9/2013 Castel ..... A61F 7/00  
601/15  
D711,656 S \* 8/2014 Brewer ..... D4/102  
D713,150 S \* 9/2014 Maurin ..... D4/102  
9,107,486 B2 \* 8/2015 Brewer ..... A45D 34/042  
(Continued)

**FOREIGN PATENT DOCUMENTS**

CN 301847624 \* 2/2012  
CN 302591083 \* 9/2013  
(Continued)

**OTHER PUBLICATIONS**

Screen capture from video, “Clarisonic Mia Smart Sonic Cleansing System on QVC,” [on-line]. Published Aug. 2018; retrieved from the internet May 3, 2019. URL: <https://www.youtube.com/watch?v=-6wTO68myvI>. (14 pages) (Year: 2018).\*  
(Continued)

*Primary Examiner* — Karen E Eldridge Powers  
(74) *Attorney, Agent, or Firm* — Christensen O’Connor Johnson Kindness PLLC

- (\*\*) Term: **15 Years**
- (21) Appl. No.: **29/646,323**
- (22) Filed: **May 3, 2018**
- (51) **LOC (12) Cl.** ..... **28-03**
- (52) **U.S. Cl.**  
USPC ..... **D4/102**
- (58) **Field of Classification Search**  
USPC ..... D4/100, 102; D28/7, 63, 73; D24/211, D24/214, 215; D32/35, 40  
CPC . A47K 7/00; A47K 7/02; A47K 7/002; A47K 7/04; A47K 7/043; A61H 7/002; A61H 7/003; A61H 7/005; A61H 2205/022; A61H 2201/1692; A46B 2200/102; A46B 5/0095; A46B 7/08  
See application file for complete search history.

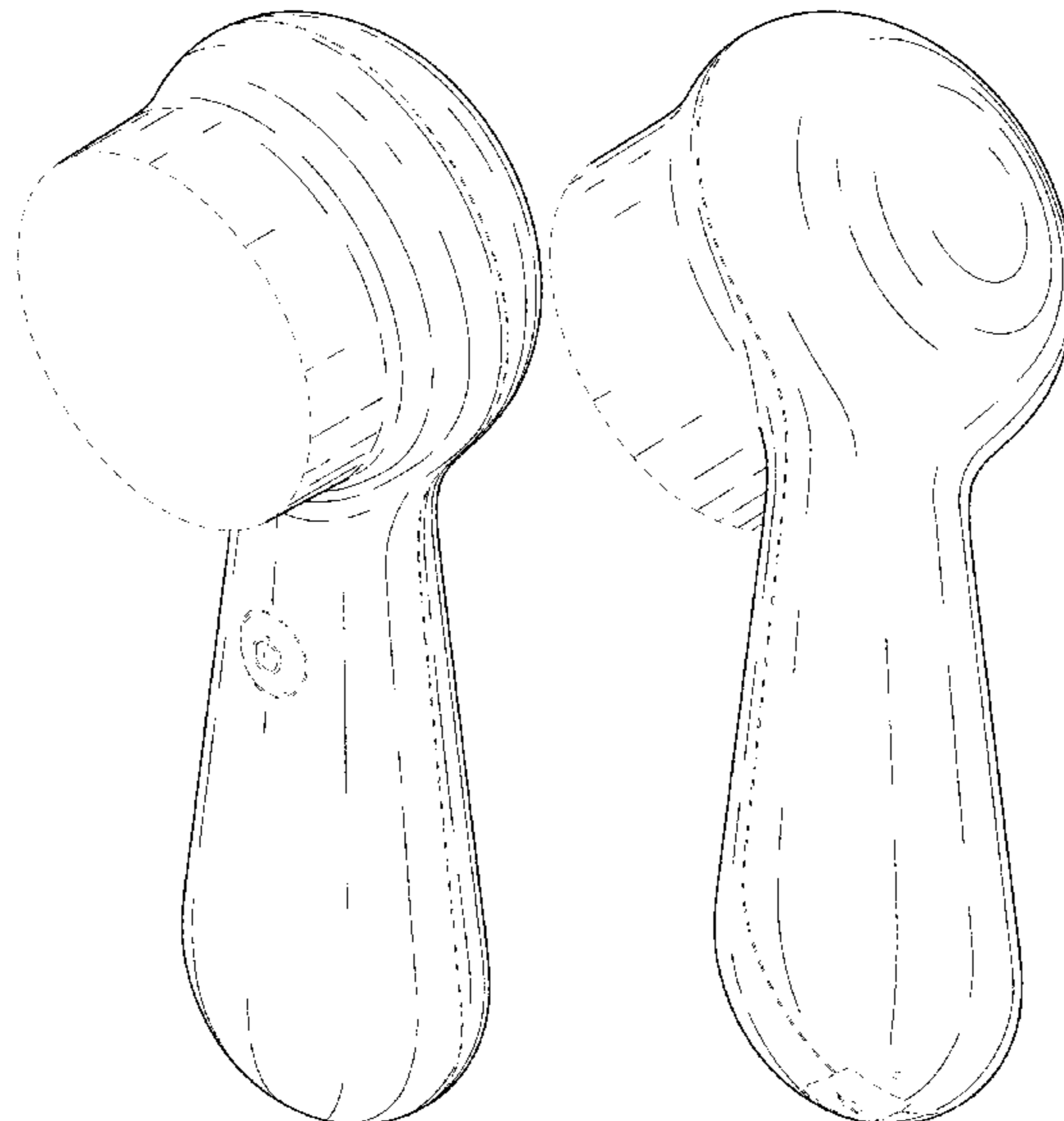
(57) **CLAIM**  
The ornamental design for a powered brush handle, as shown and described.

**DESCRIPTION**

FIG. 1 is a top front right perspective view of a powered brush handle in accordance with our new design; FIG. 2 is a front elevation view thereof; FIG. 3 is a rear elevation view thereof; FIG. 4 is a top plan view thereof; FIG. 5 is a bottom plan view thereof; FIG. 6 is a left side elevation view thereof; FIG. 7 is a right side elevation view thereof; and, FIG. 8 is a bottom rear right perspective view thereof. The broken lines shown in the drawings illustrate portions of the powered brush handle that form no part of the claimed design.

- (56) **References Cited**  
U.S. PATENT DOCUMENTS  
7,386,906 B2 \* 6/2008 Roth ..... A46B 13/06  
15/21.1  
D619,717 S \* 7/2010 Toshima ..... D24/152  
7,789,092 B2 \* 9/2010 Akridge ..... A61B 17/50  
132/200

**1 Claim, 7 Drawing Sheets**



(56)

References Cited

U.S. PATENT DOCUMENTS

9,138,257 B2 \* 9/2015 Revivo ..... A61B 17/54  
 D742,647 S \* 11/2015 Hosler ..... D4/102  
 9,314,095 B2 \* 4/2016 Hwang ..... A47K 7/043  
 D767,897 S \* 10/2016 Hosler ..... D4/102  
 D768,387 S \* 10/2016 Reishus ..... D4/100  
 9,474,358 B2 \* 10/2016 Brewer ..... A46B 9/021  
 D781,588 S \* 3/2017 Lee ..... D4/102  
 D794,784 S \* 8/2017 Bradley ..... D24/133  
 D805,305 S \* 12/2017 Wang ..... D4/100  
 9,925,112 B2 \* 3/2018 Caberlotto ..... A61H 15/0085  
 D816,344 S \* 5/2018 Tai ..... D4/100  
 D816,345 S \* 5/2018 Tai ..... D4/100  
 D818,272 S \* 5/2018 Tai ..... D4/100  
 D825,187 S \* 8/2018 Luo ..... D4/101  
 10,058,351 B2 \* 8/2018 Hendler ..... A61B 17/54  
 D829,921 S \* 10/2018 Xiong ..... D24/214  
 10,182,642 B2 \* 1/2019 Khormaei ..... A46B 7/08  
 10,264,927 B2 \* 4/2019 Brewer ..... A46B 9/021  
 2017/0143585 A1 \* 5/2017 Suzuki ..... A61H 7/005  
 2017/0367471 A1 \* 12/2017 Straka ..... A46B 15/0006  
 2017/0367543 A1 \* 12/2017 Straka ..... A47K 7/043  
 2017/0372634 A1 \* 12/2017 Straka ..... G09B 19/0076

FOREIGN PATENT DOCUMENTS

CN 303084516 \* 1/2015  
 CN 303512725 \* 12/2015  
 CN 303731603 \* 1/2016  
 CN 303651159 \* 4/2016  
 CN 304083893 \* 3/2017  
 CN 304372687 \* 11/2017  
 CN 304410142 \* 12/2017  
 CN 304422641 \* 12/2017

EM 001320816-0001 \* 6/2012  
 EM 002314484-0001 \* 6/2013  
 EM 002314484-0004 \* 9/2013  
 EM 004075935-0001 \* 7/2017  
 GB 6028734 \* 2/2018  
 KR 300724562.0000 \* 1/2014  
 KR 300724563.0000 \* 1/2014  
 KR 300945082.0000 \* 2/2018  
 MY 13-835-0101-000 \* 6/2013

OTHER PUBLICATIONS

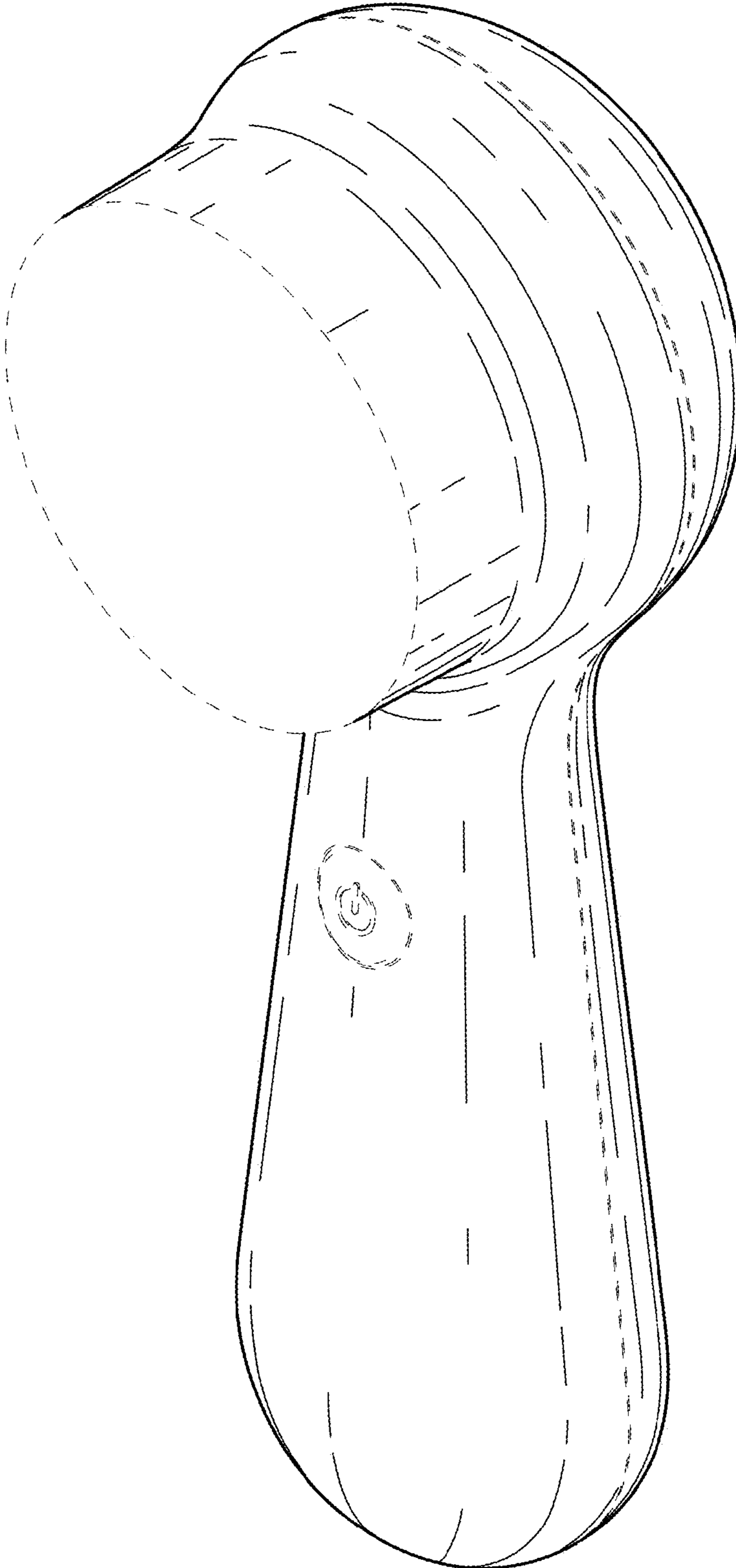
Screen captures from video, "The Future of Beauty is Here—Mia Smart I." [online]. Published Aug. 10, 2018; retrieved from the Internet May 3, 2019. URL: <<https://www.youtube.com/watch?v=rQd3VwAQdT0>>. (9 pages) (Year: 2018).\*

Clarisonic Mia Prima brush (shown with egg yolk), [on-line]. Published Apr. 21, 2019; retrieved from the Internet May 3, 2019. URL: <<https://web.archive.org/web/20190421061531/https://www.clarisonic.com/face-brushes/mia-prima-sonic-facial-cleansing-brush-cl420.html>>. (4 pages) (Year: 2019).\*

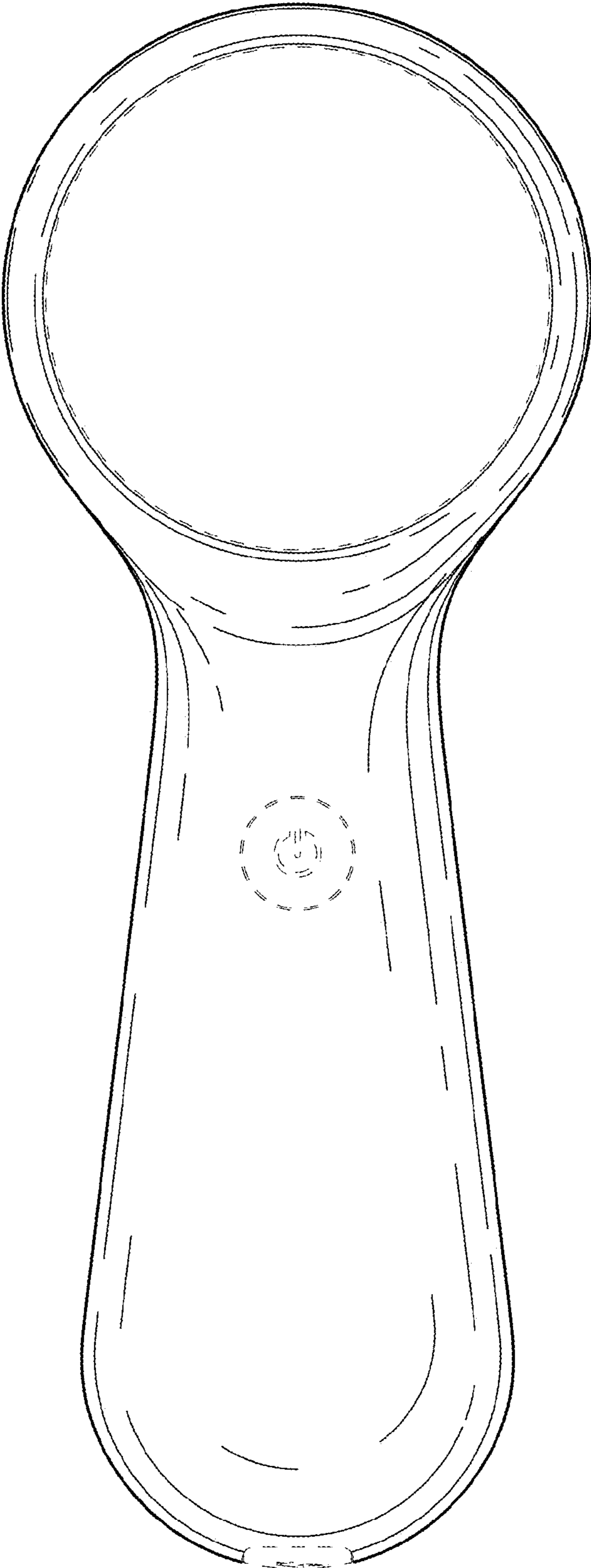
Clarisonic Mia Prima brush [on-line]. Published Apr. 21, 2019; retrieved from the Internet May 3, 2019. URL: <<https://web.archive.org/web/20190421061531/https://www.clarisonic.com/face-brushes/mia-prima-sonic-facial-cleansing-brush-cl420.html>>. (3 pages) (Year: 2019).\*

Clarisonic Mia Prima brush (interchangeable brush heads), [on-line]. Published Apr. 21, 2019; retrieved from the Internet May 3, 2019. URL: <<https://web.archive.org/web/20190421061531/https://www.clarisonic.com/face-brushes/mia-prima-sonic-facial-cleansing-brush-cl420.html>>. (7 pages).\*

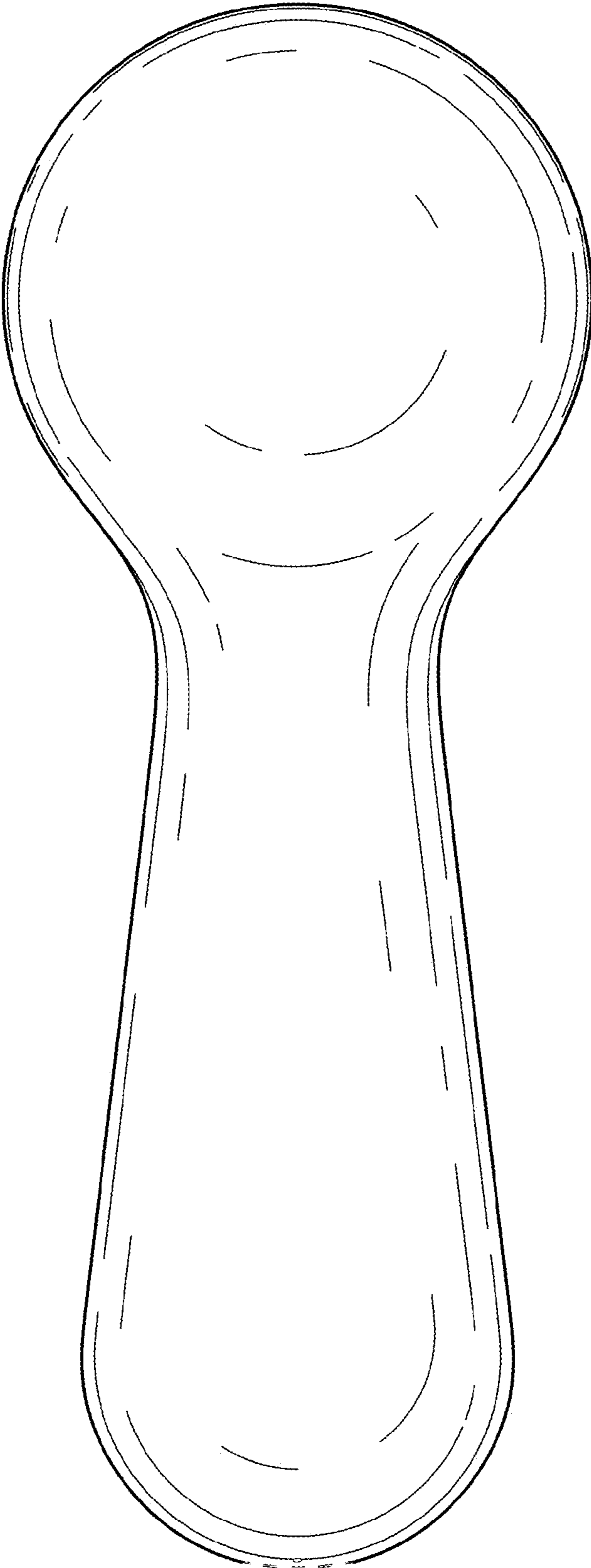
\* cited by examiner



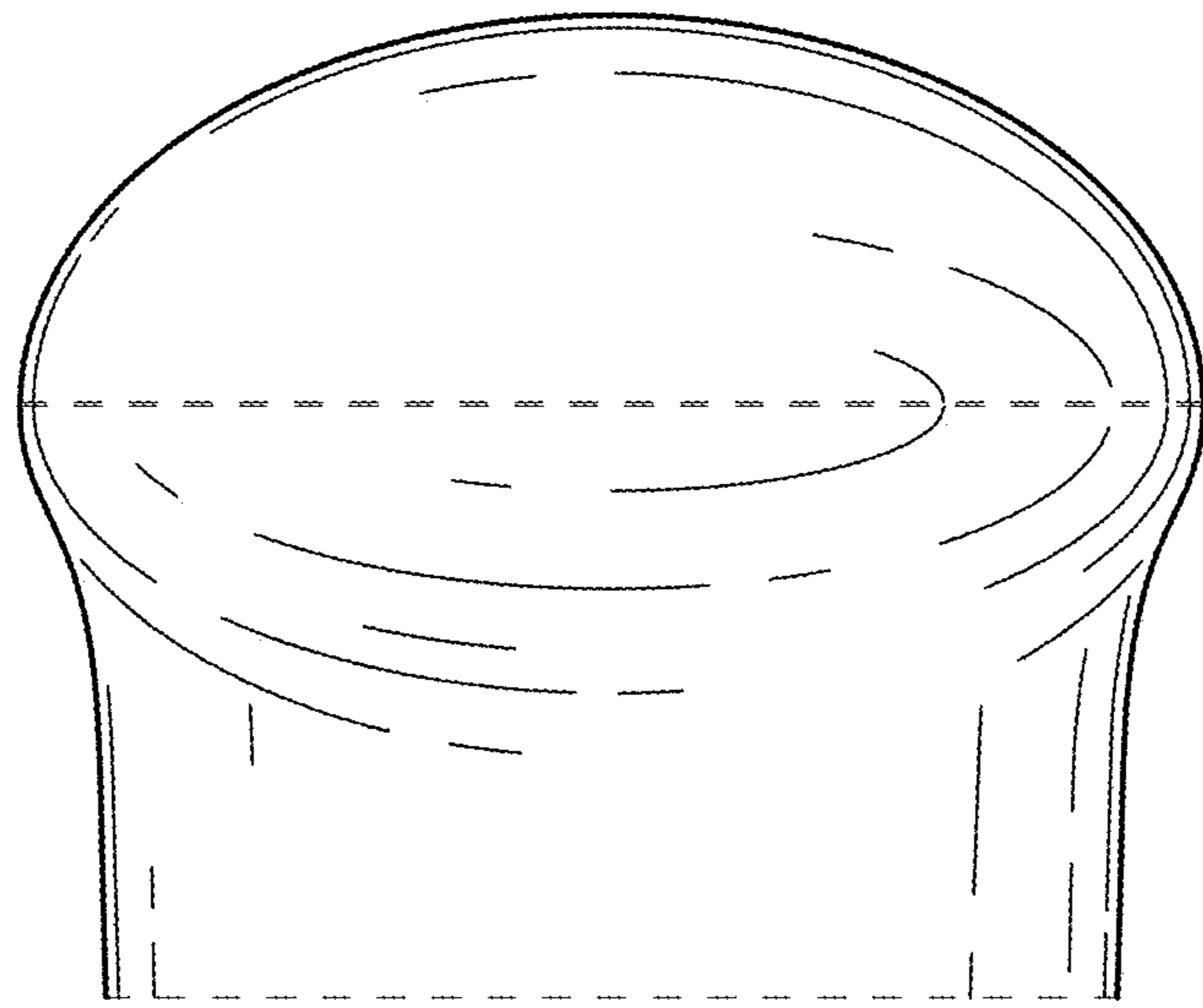
*Fig. 1.*



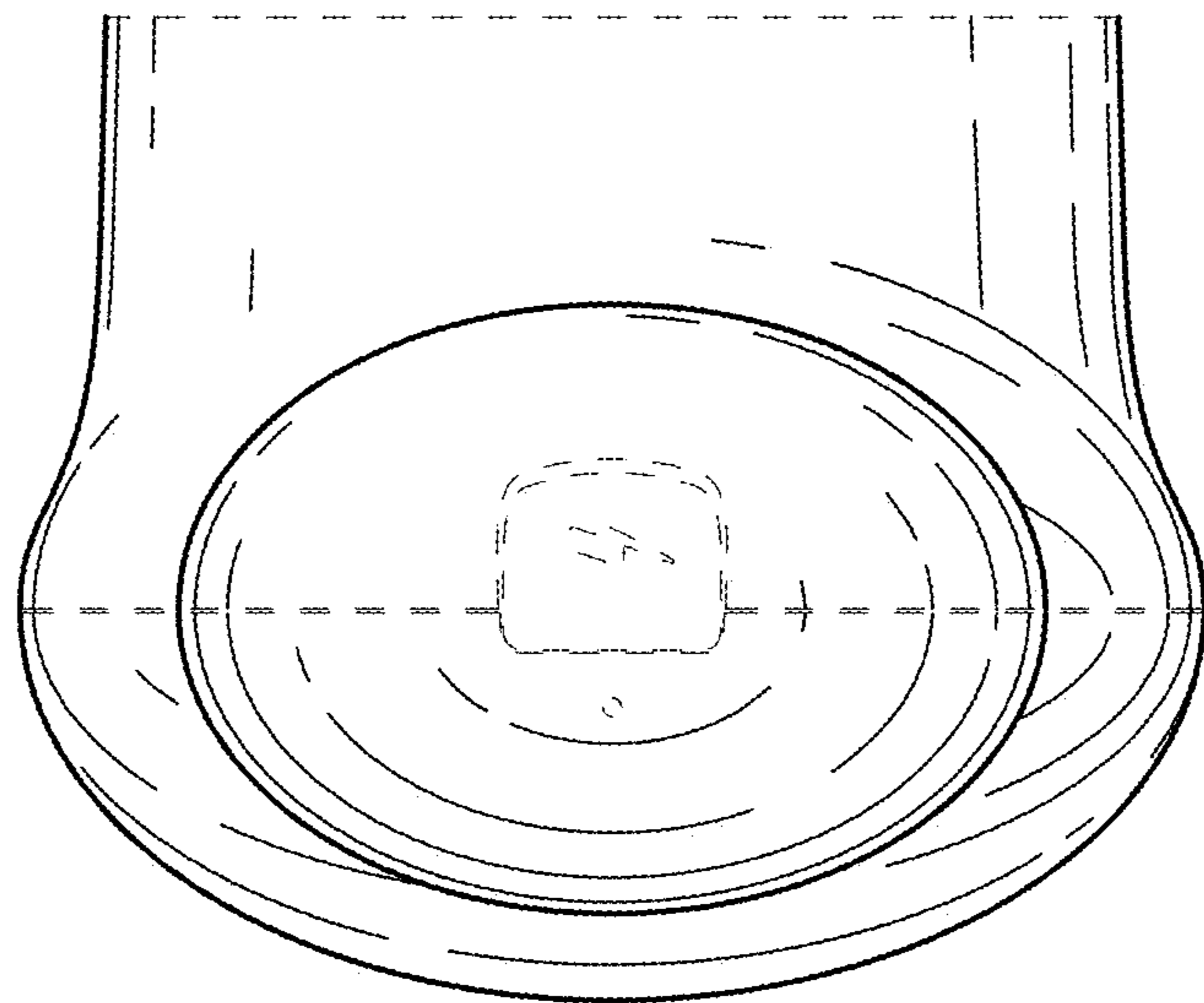
*Fig. 2.*



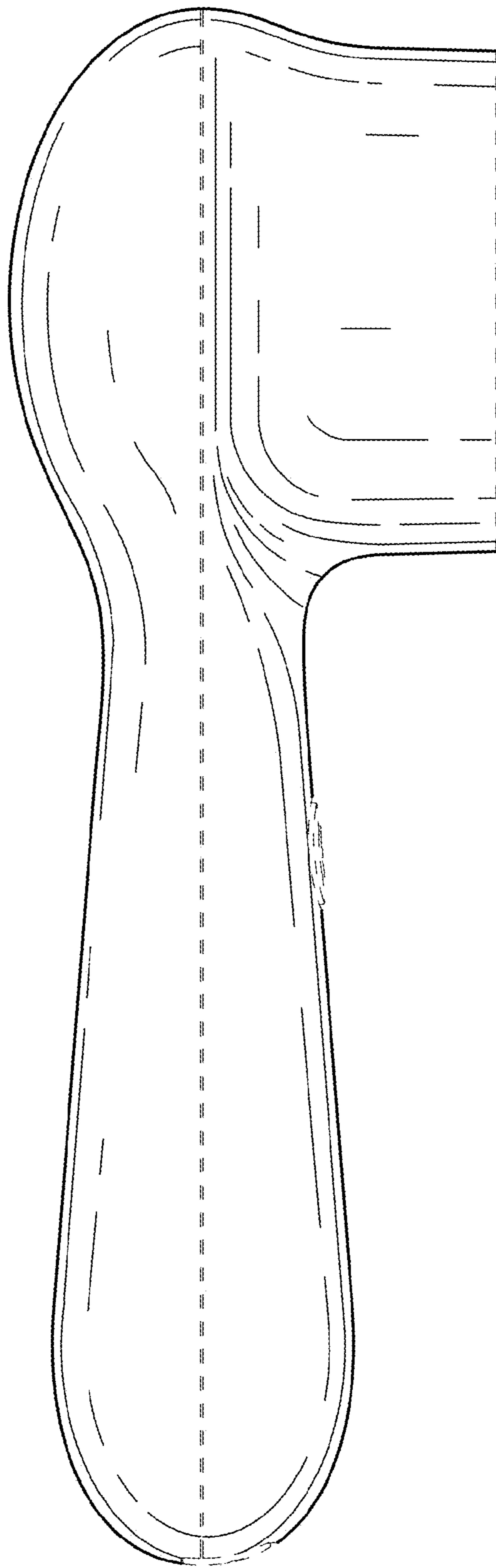
*Fig. 3.*



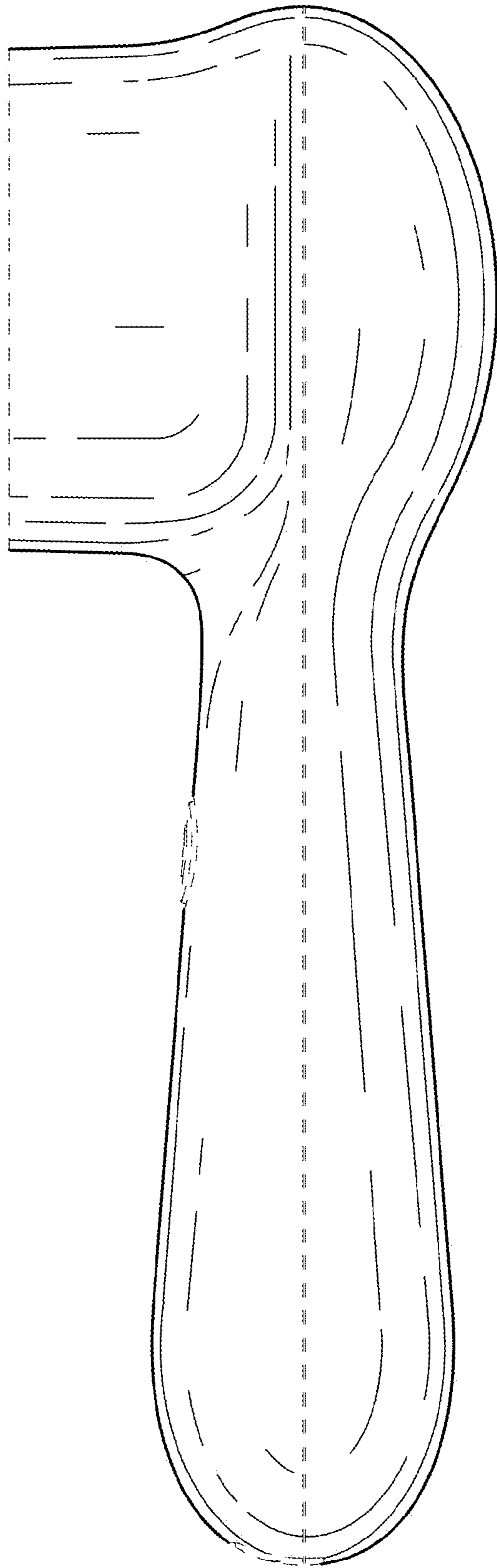
*Fig. 4.*



*Fig. 5.*

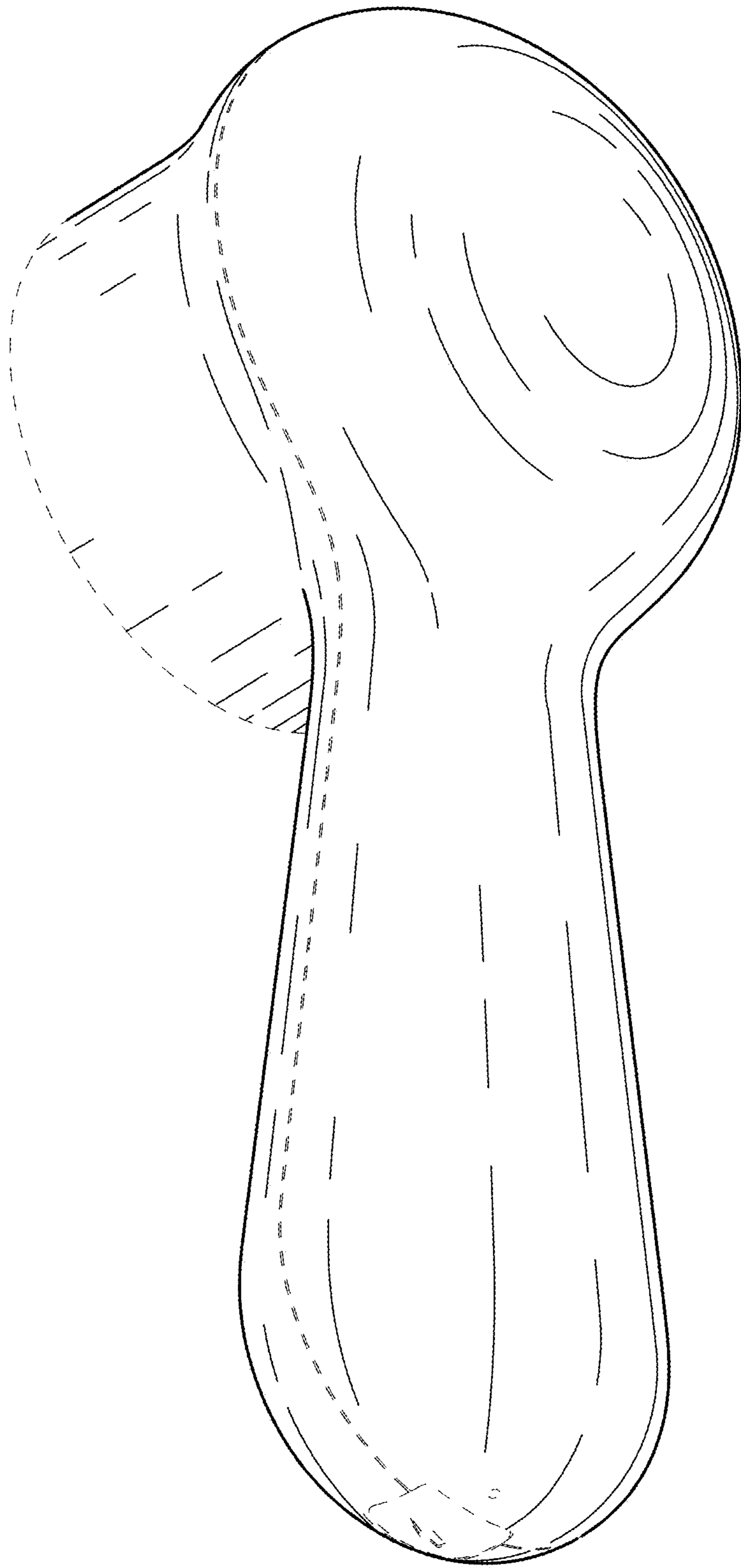


*Fig. 6.*



*Fig. 7.*





*Fig. 8.*