



US00D894609S

(12) **United States Design Patent**
Ito

(10) **Patent No.:** **US D894,609 S**

(45) **Date of Patent:** **** Sep. 1, 2020**

(54) **SUITCASE**

4,844,215 A * 7/1989 Ambasz A45C 7/0031
190/105

(71) Applicant: **RYOHIN KEIKAKU CO., LTD.**,
Tokyo (JP)

D352,170 S * 11/1994 Bialo D3/279
D354,166 S * 1/1995 Lin D3/276

(72) Inventor: **Shoji Ito**, Tokyo (JP)

D381,506 S * 7/1997 Roeder D3/245

(Continued)

(73) Assignee: **RYOHIN KEIKAKU CO., LTD.**,
Tokyo (JP)

FOREIGN PATENT DOCUMENTS

JP 731698 S 1/1988

(**) Term: **15 Years**

OTHER PUBLICATIONS

(21) Appl. No.: **35/505,387**

Designboom, Super Functional Muji Collapsible Suitcase, posted-
Dec. 27, 2017, [online], [visited May 3, 2019]. Internet, URL:https://
www.designboom.com/design/muji-collapsible-suitcase-luggage-12-
27-2017/ (Year: 2017).*

(22) Filed: **Dec. 15, 2017**

(Continued)

(80) **Hague Agreement Data**

Int. Filing Date: **Dec. 15, 2017**

Int. Reg. No.: **DM/102035**

Int. Reg. Date: **Dec. 15, 2017**

Int. Reg. Pub. Date: **Aug. 3, 2018**

Primary Examiner — Jeffrey D Asch

Assistant Examiner — Samantha N Wood

(74) *Attorney, Agent, or Firm* — Buchanan Ingersoll &
Rooney PC

(30) **Foreign Application Priority Data**

Jun. 15, 2017 (JP) 2017-012839

Jun. 15, 2017 (JP) 2017-012840

(57) **CLAIM**

The ornamental design for suitcase, as shown and described.

(51) **LOC (12) Cl.** **03-01**

(52) **U.S. Cl.**

USPC **D3/321**

(58) **Field of Classification Search**

USPC D3/269, 272, 273, 274, 276, 277, 279,
D3/280, 281, 283, 285, 289, 302, 900,
D3/902, 271.2, 231, 321; D9/759, 432

CPC A45C 5/00; A45C 5/03; A45C 5/14; A45C
5/08; A45C 7/00; A45C 7/0018; A45C
7/0022

See application file for complete search history.

DESCRIPTION

2. Suitcase

2.1 : Perspective

2.2 : Front

2.3 : Back

2.4 : Left

2.5 : Right

2.6 : Top

2.7 : Bottom

2.8 : Front view in a fully extended state, the rear being a
mirror image thereof

2.9 : Left view in a fully extended state

2.10 : Right view in a fully extended state

The portions of the suitcase depicted by broken lines forms
no part of the claimed design.

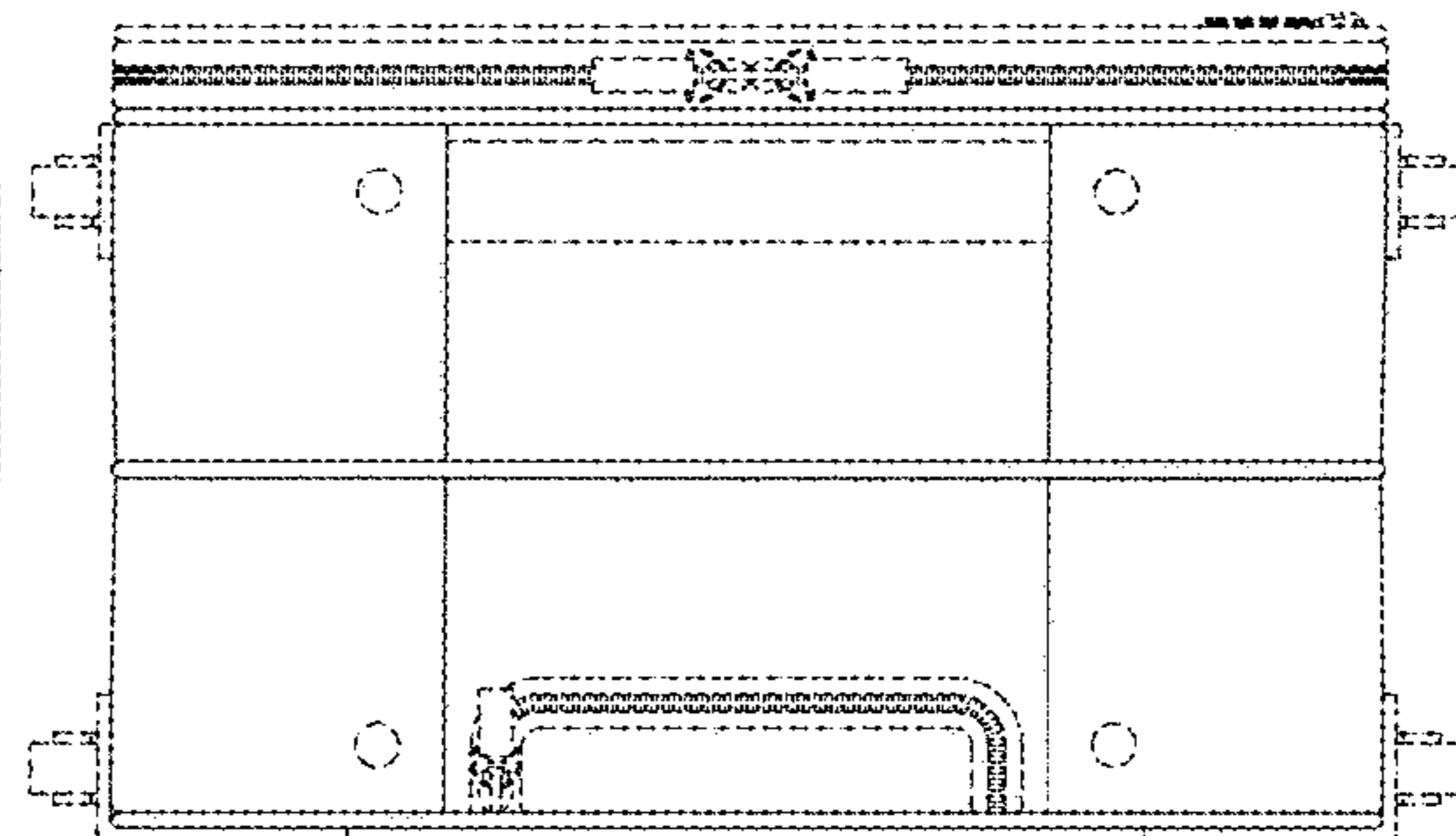
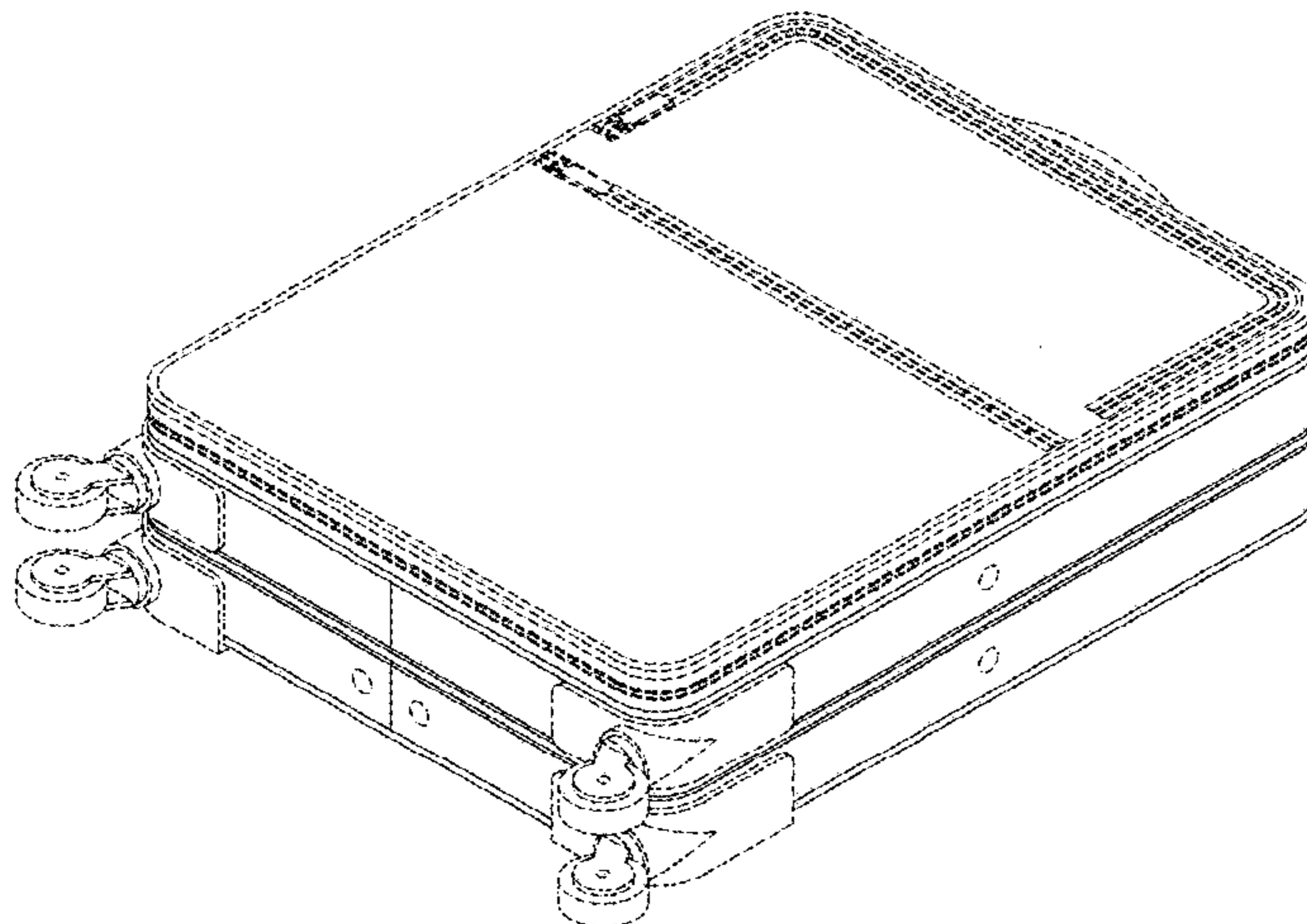
(56) **References Cited**

U.S. PATENT DOCUMENTS

D114,962 S * 5/1939 Ortner D3/321

D292,845 S * 11/1987 Kim D3/283

1 Claim, 10 Drawing Sheets



(56)

References Cited

U.S. PATENT DOCUMENTS

5,671,831 A * 9/1997 Chiu A45C 5/14
190/103
D386,300 S * 11/1997 Kopel D3/217
6,126,012 A * 10/2000 Roegner A45C 3/00
150/112
D457,314 S * 5/2002 Stephens D3/276
6,533,087 B1 * 3/2003 Chen A45C 7/0022
190/103
D581,667 S * 12/2008 Yeh D3/279
D773,814 S * 12/2016 Barenbrug D3/289
10,299,551 B1 * 5/2019 Lai A45C 13/26
2002/0040834 A1 * 4/2002 Chen A45C 7/0031
190/103
2005/0067244 A1 * 3/2005 Smith A45C 7/0022
190/103
2007/0158157 A1 * 7/2007 Krulik A45C 7/0022
190/103

OTHER PUBLICATIONS

Amazon, Briggs and Riley Suitcase, posted Aug. 26, 2016, [online],
[visited May 3, 2019]. Internet, URL: <https://www.amazon.co.uk/>

Briggs-Riley-Baseline-Expandable-Suitcase/dp/B01E9XY770/ref=olp_product_details?_encoding=UTF8&me= (Year: 2016).*

Fast Company, Dror's Magical Expandable Suitcase for Tumi is Fit for Mary Poppins, posted Mar. 19, 2012, [online], [visited Apr. 24, 2020]. Internet, <URL: <https://www.fastcompany.com/1822758/drors-magical-expandable-suitcase-tumi-fit-mary-poppins>> (Year: 2012).*

Observer, Away just launched your new favorite expandable suitcase, posted Oct. 10, 2019, [online], [visited Apr. 24, 2020]. Internet, <URL: <https://observer.com/2019/10/away-luggage-launches-new-expandables-collection-suitcases/>> (Year: 2019).*

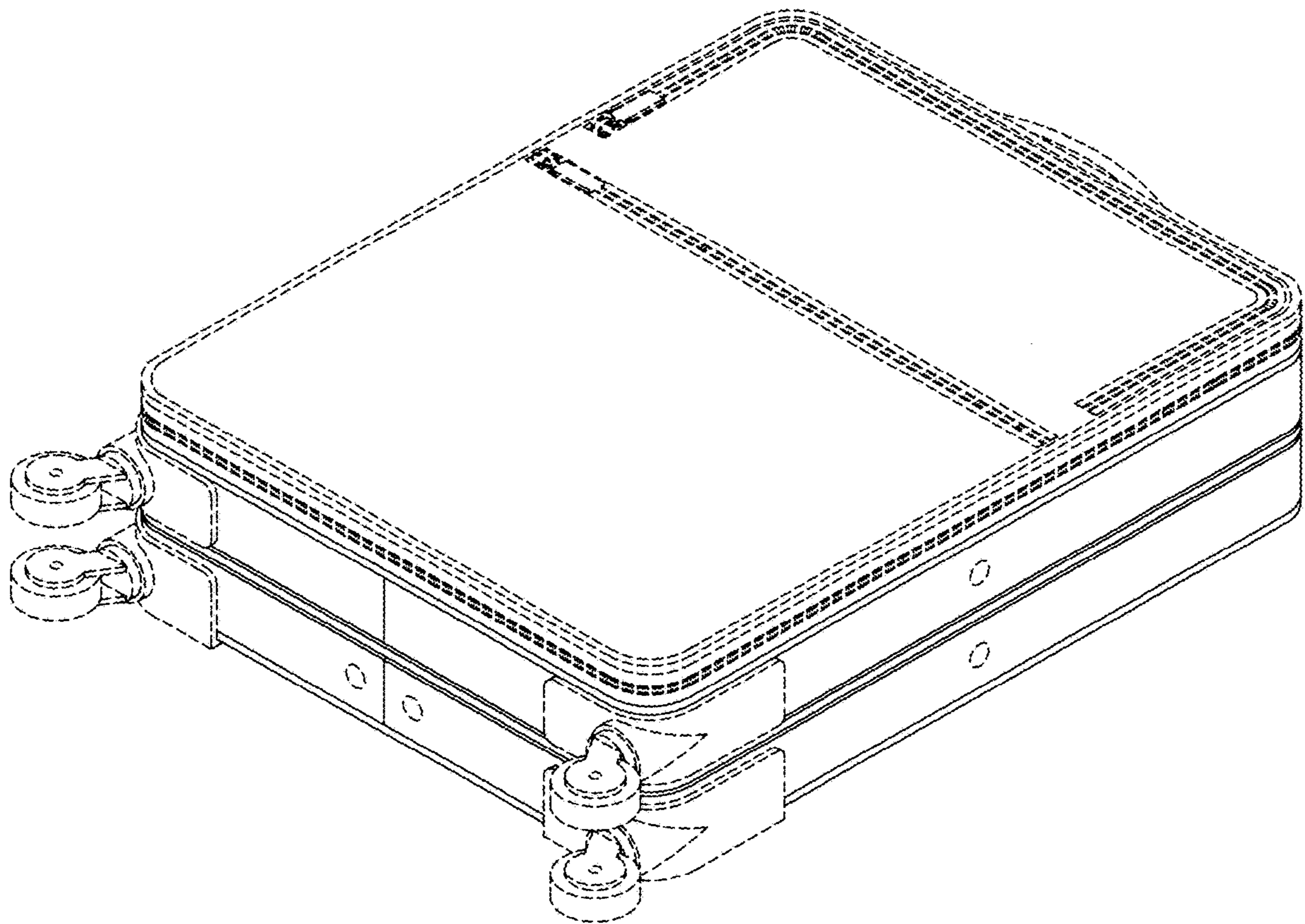
Youtube, See why the Tumi Alpha 2 Expandable Carry-On is among the best, posted Mar. 23, 2016, [online], [visited Apr. 24, 2020]. Internet, <URL: https://www.youtube.com/watch?v=h_KXod-3OTA> (Year: 2016).*

Notice of Search Report in Design Application No. 2017-012839 dated Feb. 2, 2018 with English translation.

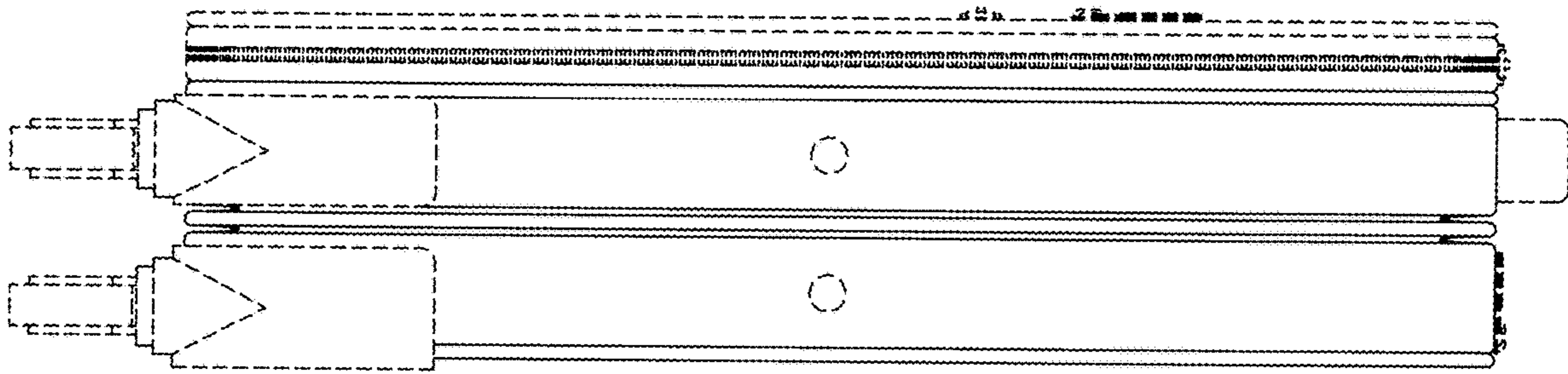
Notice of Search Report in Design Application No. 2017-012840 dated Feb. 2, 2018 with English translation.

Korean Design Patent Publication, vol. 1455, (Oct. 31, 1996), p. 6, 185926, (Publicly Known Material No. HH09054570 edited by Design Division of Japan Patent Office).

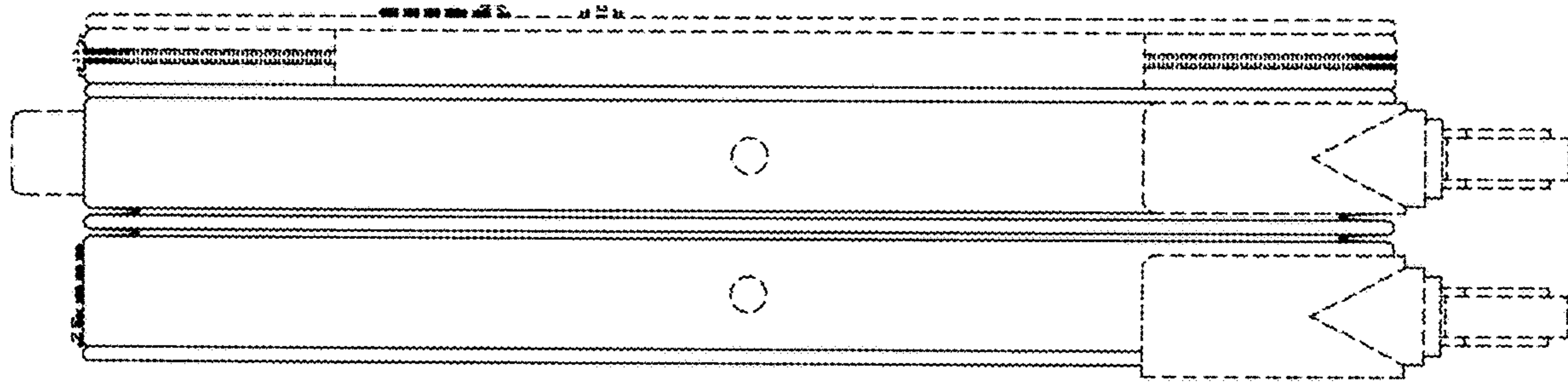
* cited by examiner



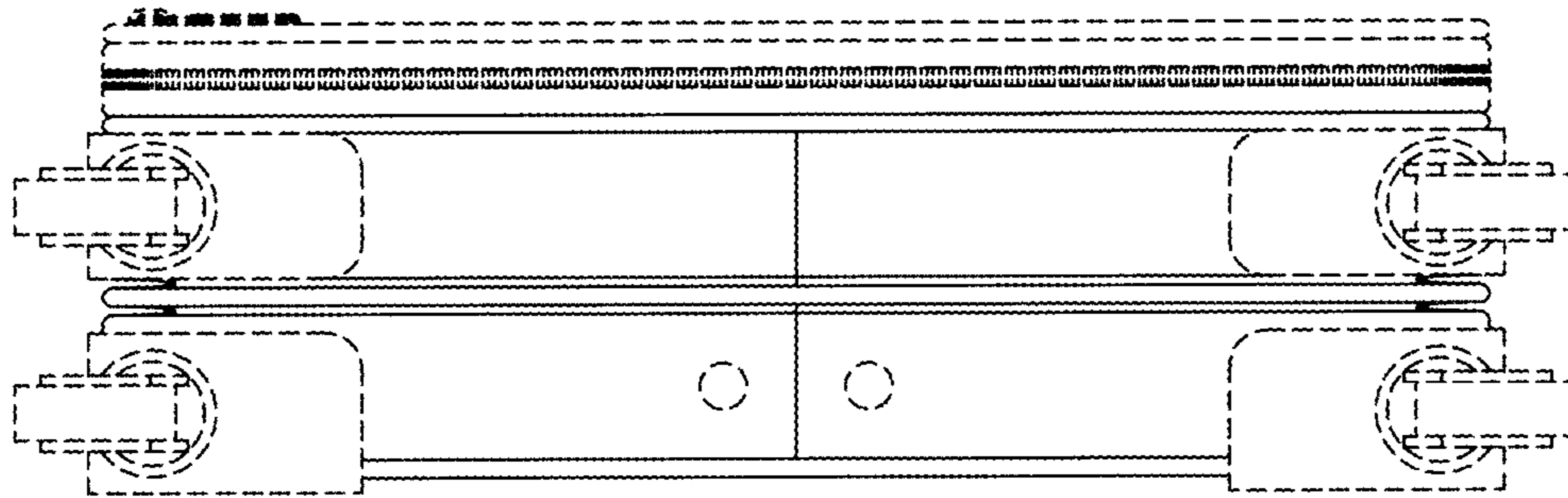
2.1



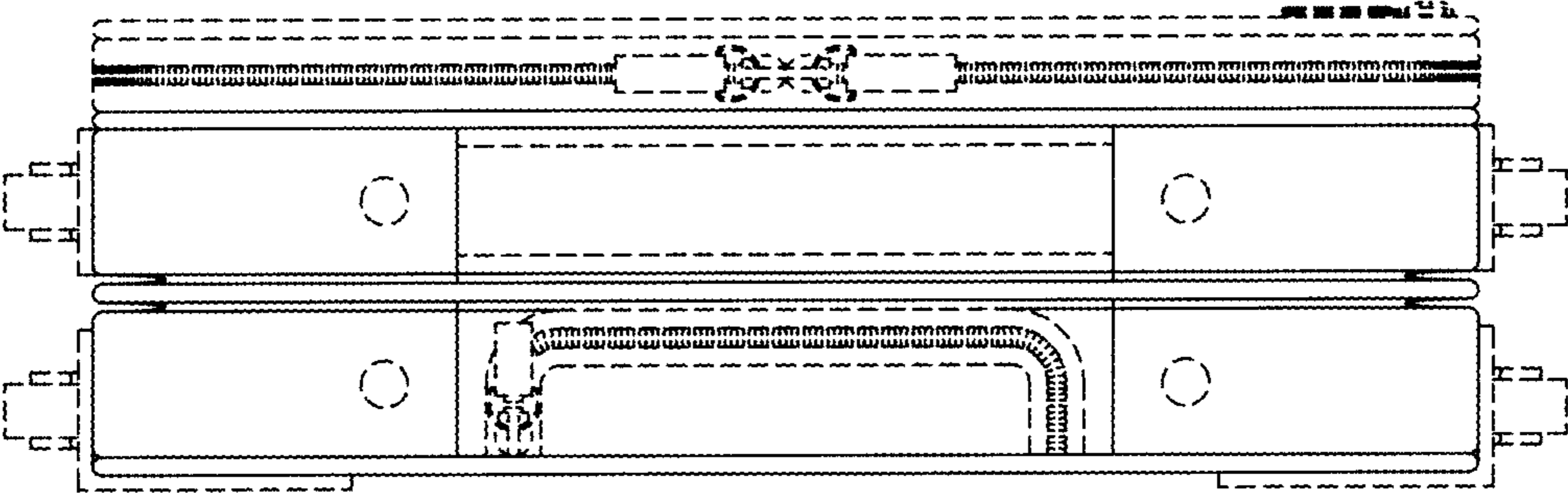
2.2



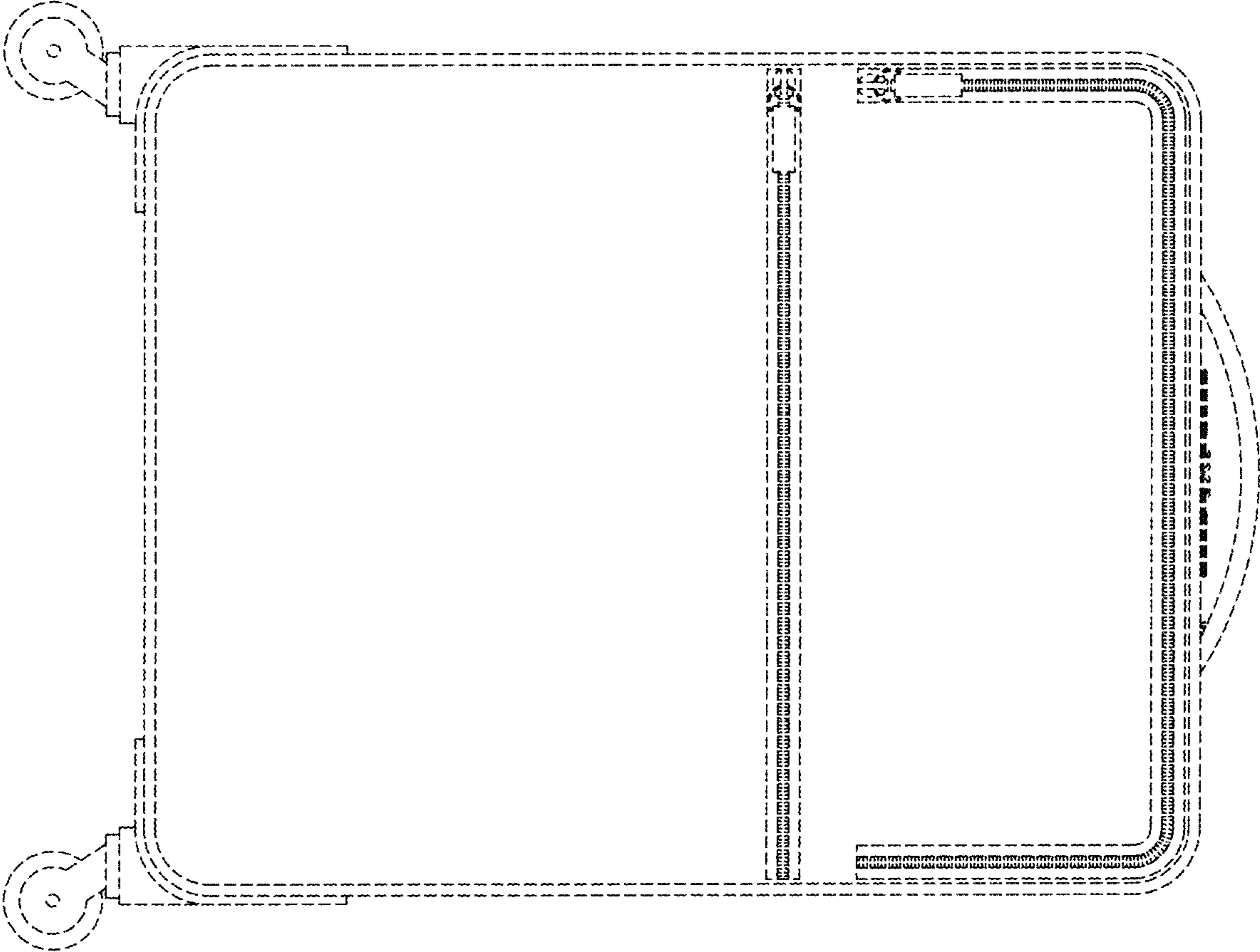
2.3



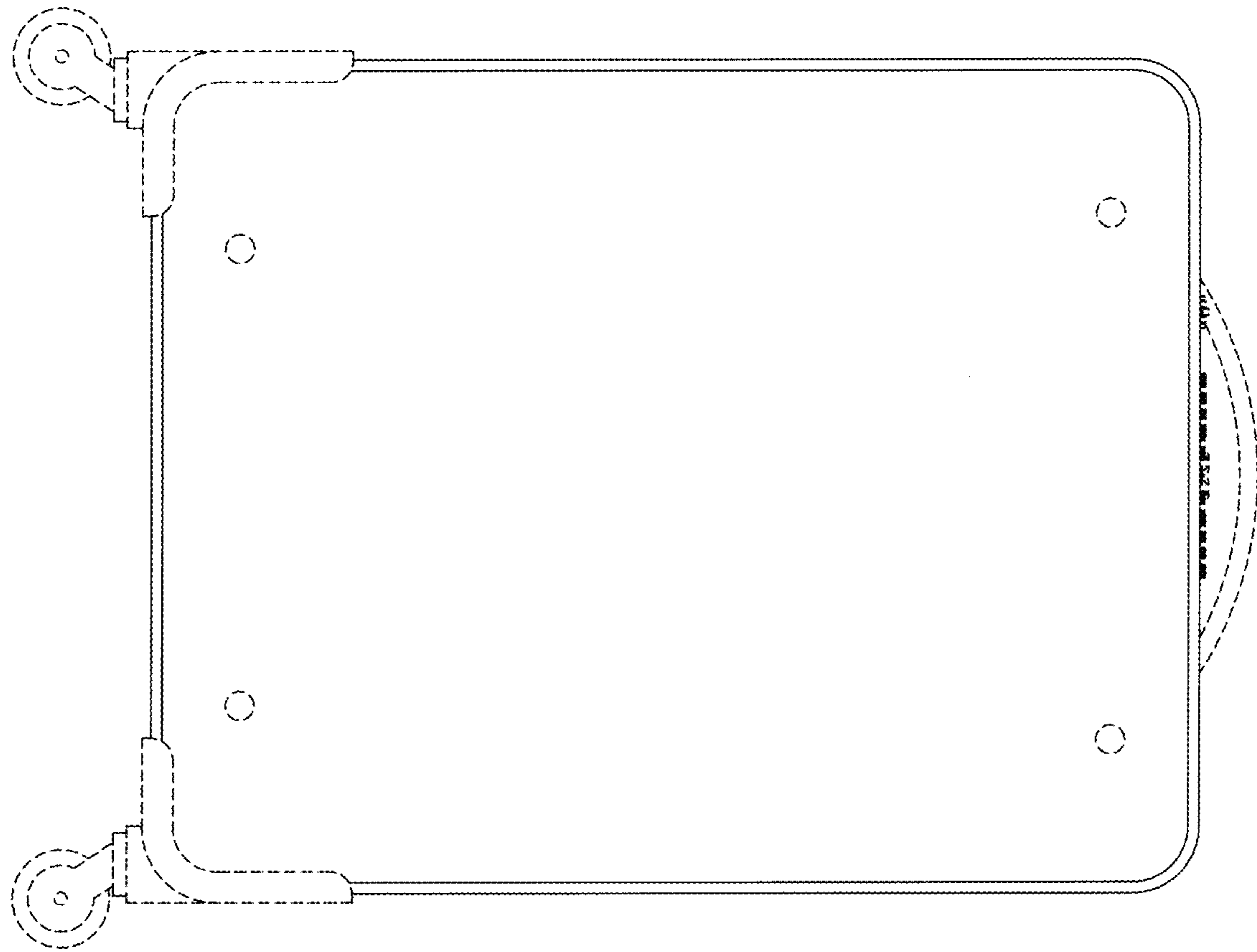
2.4



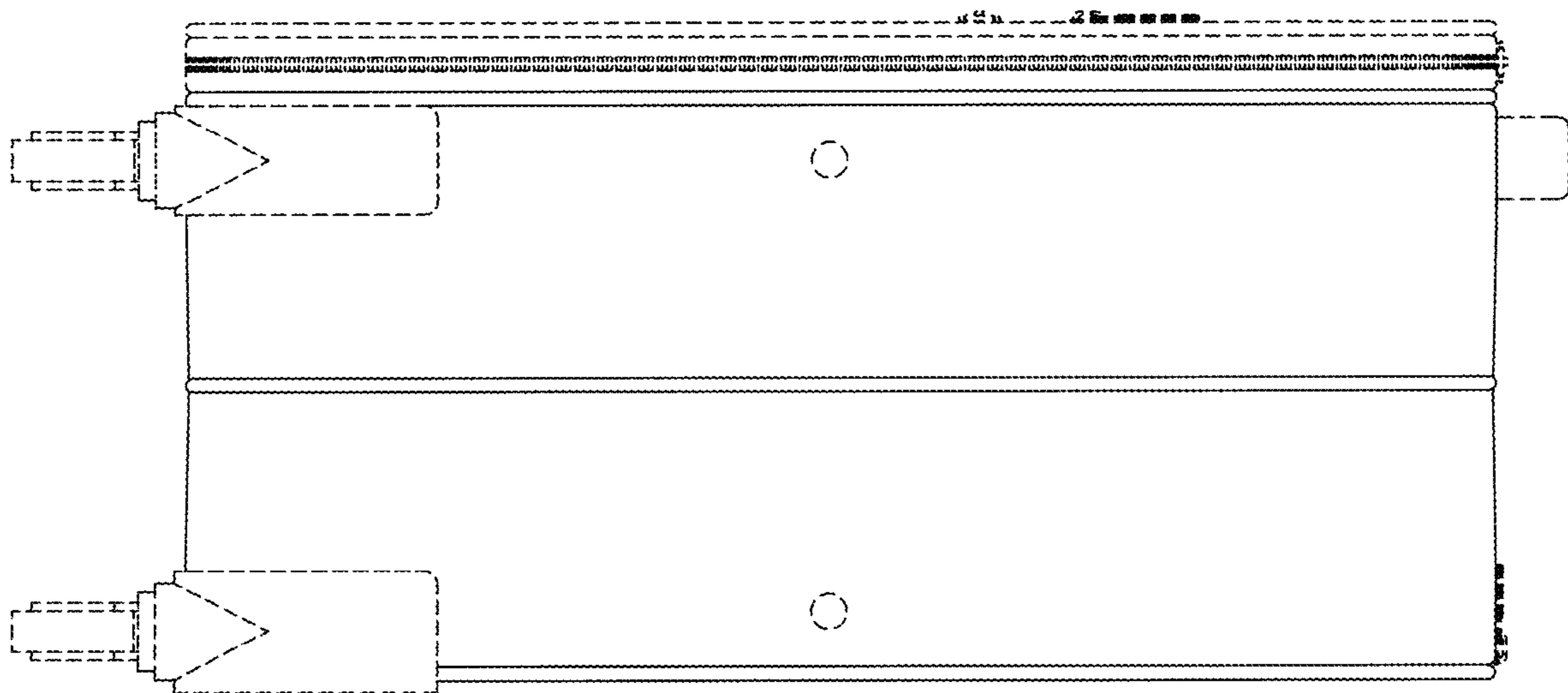
2.5



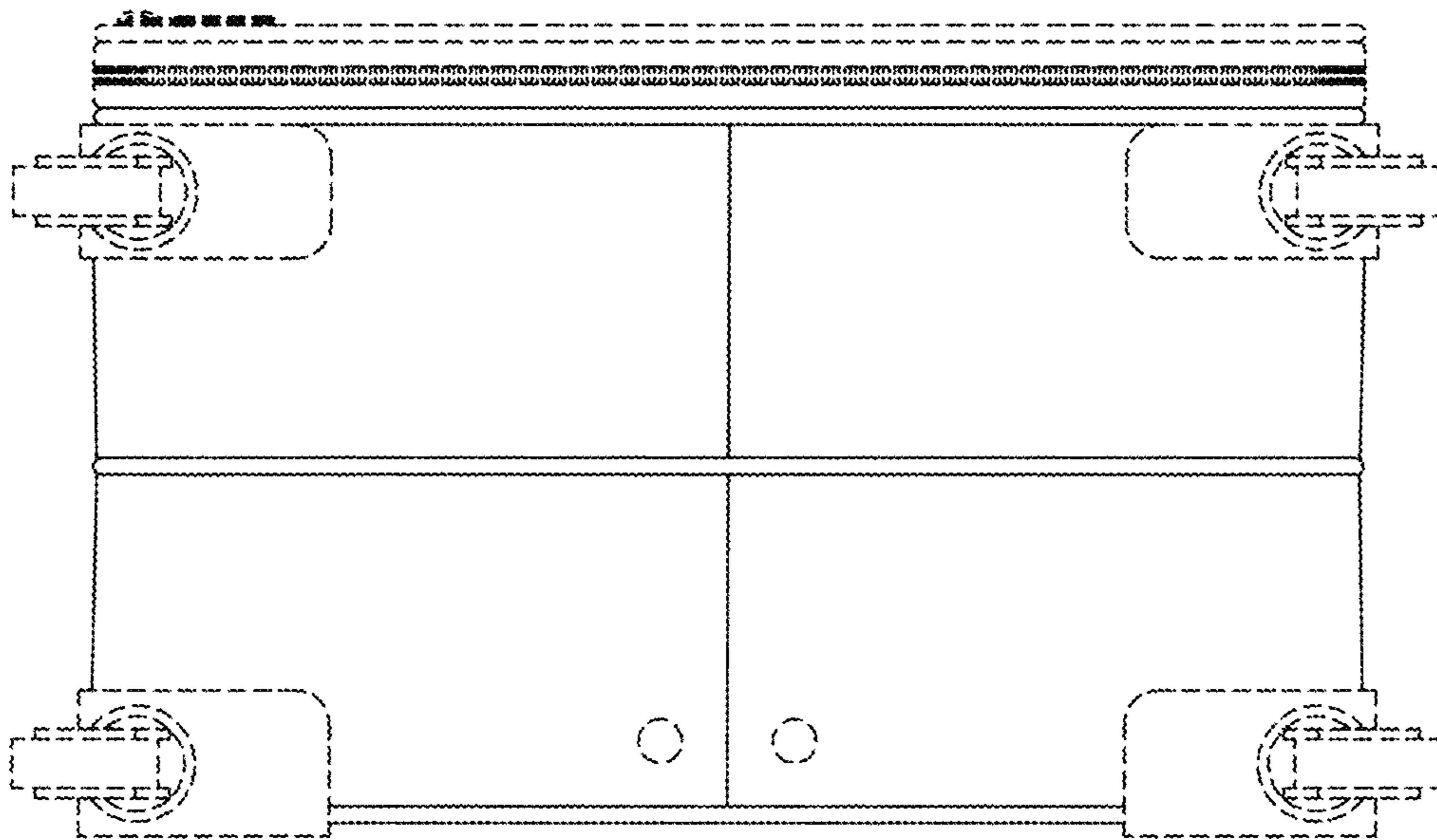
2.6



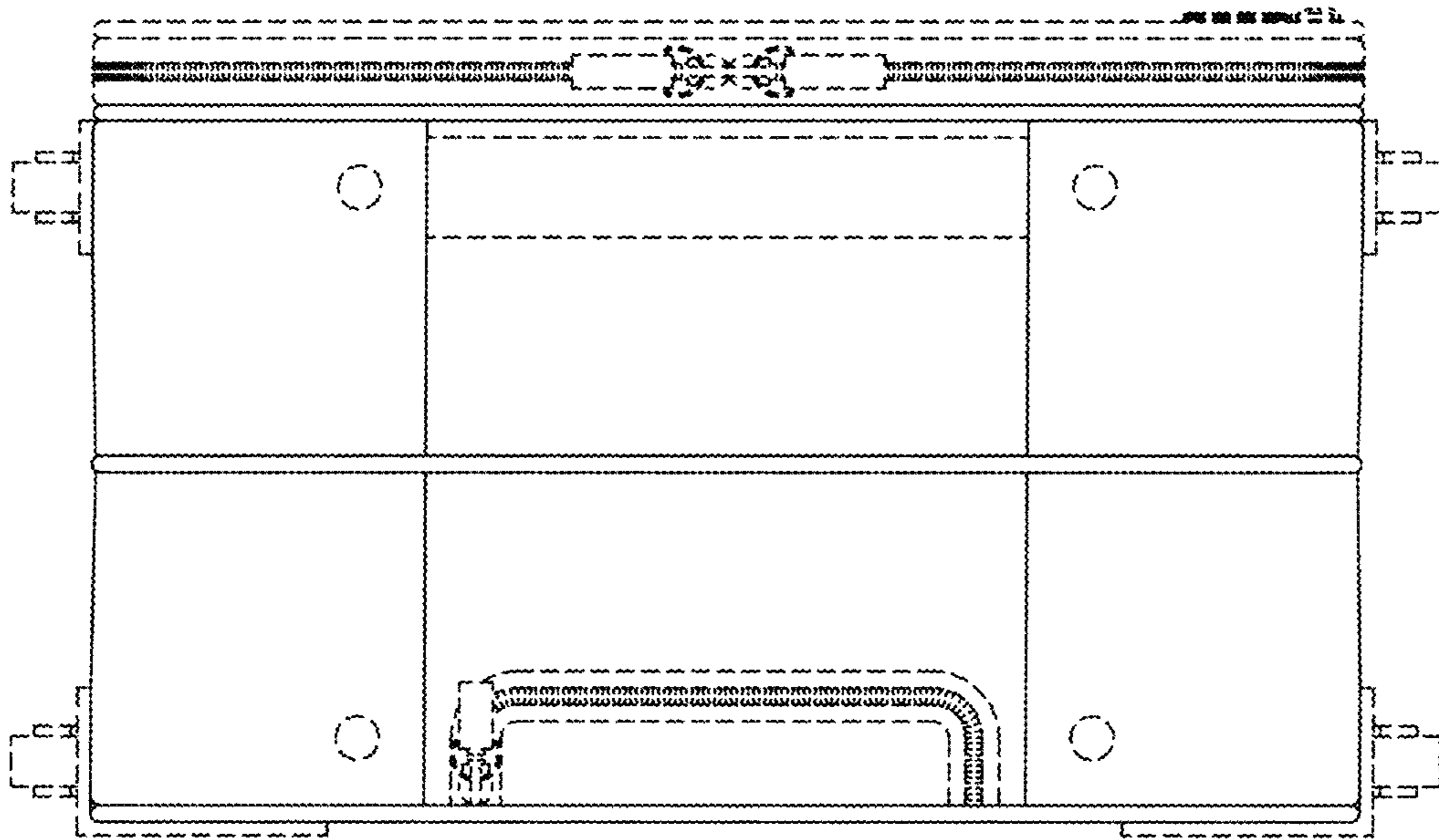
2.7



2.8



2.9



2. 10