

US00D894607S

(12) **United States Design Patent** (10) **Patent No.:** **US D894,607 S**
Cervantes (45) **Date of Patent:** **** Sep. 1, 2020**

- (54) **GOLF CADDY**
- (71) Applicant: **Miguel Cervantes**, Chicago, IL (US)
- (72) Inventor: **Miguel Cervantes**, Chicago, IL (US)
- (**) Term: **15 Years**
- (21) Appl. No.: **29/683,048**
- (22) Filed: **Mar. 11, 2019**
- (51) **LOC (12) Cl.** **03-01**
- (52) **U.S. Cl.**
USPC **D3/320**
- (58) **Field of Classification Search**
USPC D3/320
CPC A63B 57/00; A45F 5/00; A43F 5/00
See application file for complete search history.

- 6,543,063 B2 4/2003 Greer
- 6,547,682 B1 4/2003 Goodwin
- 6,578,746 B1 6/2003 Greves
- 6,732,397 B2 5/2004 Thompson
- D535,346 S 1/2007 Gibson

(Continued)

Primary Examiner — Holly H Baynham
(74) *Attorney, Agent, or Firm* — Adam K. Sacharoff;
Much Shelist, P.C.

(57) **CLAIM**

The ornamental design for a golf caddy, as shown and described.

DESCRIPTION

FIG. 1 is a front left side perspective view showing the new design for a golf caddy;
 FIG. 2 is a rear right side perspective view thereof;
 FIG. 3 is a front elevation view thereof;
 FIG. 4 is a rear elevation view thereof;
 FIG. 5 is a right-side view thereof;
 FIG. 6 is a left-side view thereof;
 FIG. 7 is a top plan view thereof;
 FIG. 8 is a bottom plan view thereof;
 FIG. 9 is a front left side perspective view showing the golf caddy with accessories exploded away therefrom;
 FIG. 10 is a front left side perspective view showing the new design for a golf caddy;
 FIG. 11 is a rear right side perspective view thereof;
 FIG. 12 is a front elevation view thereof;
 FIG. 13 is a rear elevation view thereof;
 FIG. 14 is a right-side view thereof;
 FIG. 15 is a left-side view thereof;
 FIG. 16 is a top plan view thereof; and,
 FIG. 17 is a bottom plan view thereof.

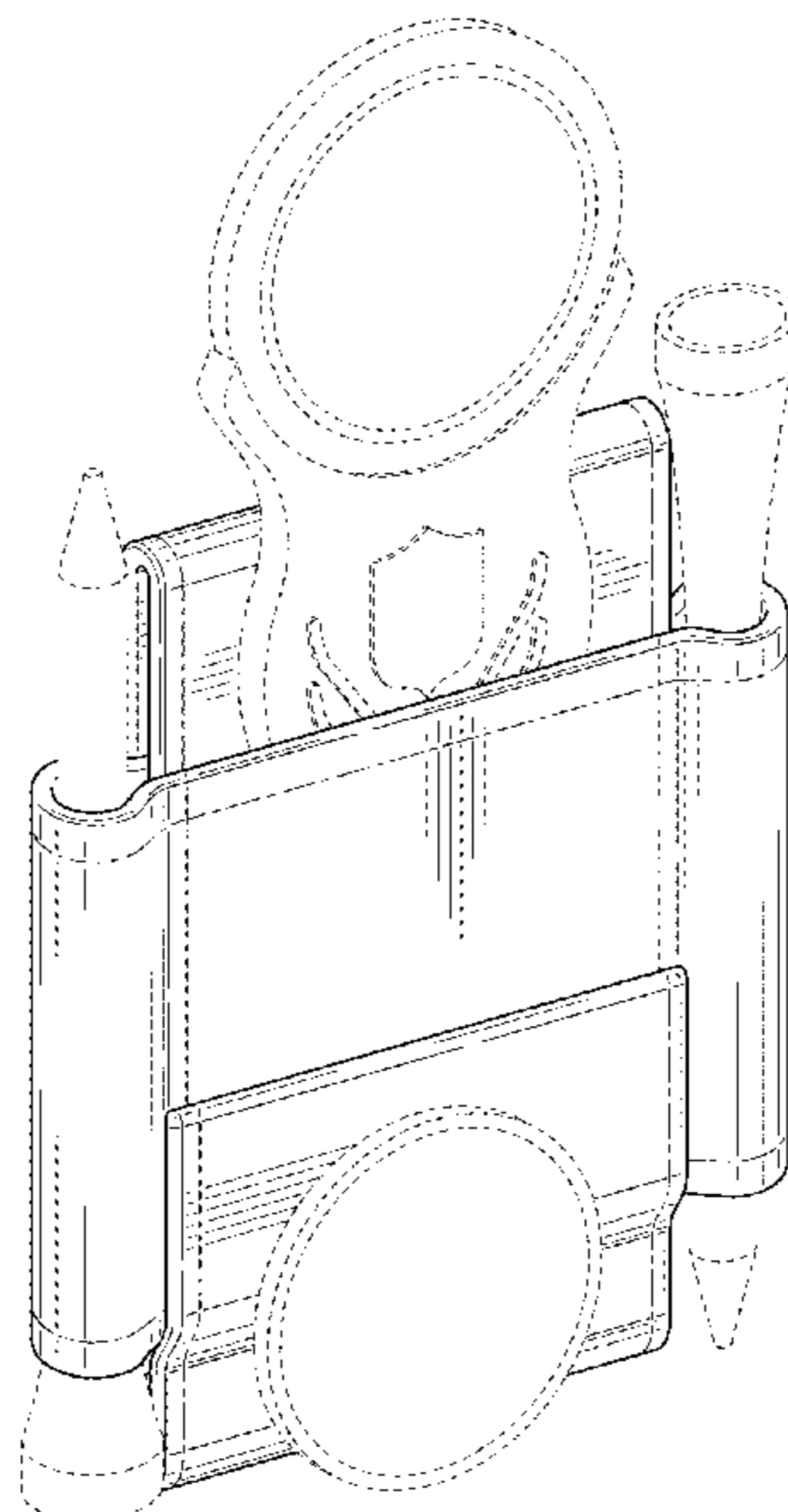
The broken-dash-dot lines illustrate stitching and form no part of the claimed design. All other broken lines show portions that form no part of the claimed design.

(56) **References Cited**

U.S. PATENT DOCUMENTS

1,562,744	A	7/1925	Dillow	
1,889,734	A	3/1932	Stevenson	
2,662,677	A	5/1950	Perry	
3,556,364	A	1/1971	Maretka	
3,674,189	A	7/1972	Walbeck	
3,905,525	A	9/1975	Kawamata	
4,129,237	A	12/1978	Grinder	
4,130,950	A	12/1978	Bazzle et al.	
4,407,079	A	10/1983	Chiroff	
4,498,615	A	2/1985	Johnson	
4,630,383	A	12/1986	Gamm	
4,886,196	A	12/1989	Plummer	
5,433,436	A	7/1995	Hoyt et al.	
5,921,008	A	7/1999	Ruff	
5,930,920	A	8/1999	Arnold	
5,934,530	A *	8/1999	Antczak	A63B 57/20 224/197
5,970,633	A	10/1999	Jones et al.	
5,979,008	A	11/1999	Gordon	
6,163,889	A	12/2000	Tate	
6,202,911	B1 *	3/2001	Freer	A63B 47/001 224/684

1 Claim, 11 Drawing Sheets



(56)

References Cited

U.S. PATENT DOCUMENTS

8,375,501	B1	2/2013	Courcy	
D681,942	S	* 5/2013	Baker	D3/221
9,706,813	B2	7/2017	Langvin et al.	
2003/0192206	A1	10/2003	Ashton	
2004/0237350	A1	12/2004	Latham et al.	
2004/0254034	A1	12/2004	Tymchyn	
2006/0283049	A1	12/2006	Huseby	
2011/0203141	A1	8/2011	Phillips	
2012/0264545	A1	10/2012	Johnson et al.	
2013/0316853	A1	11/2013	Jones et al.	
2014/0274475	A1	9/2014	Little et al.	
2014/0315661	A1	10/2014	Brown et al.	
2016/0184677	A1	6/2016	Minami	

* cited by examiner

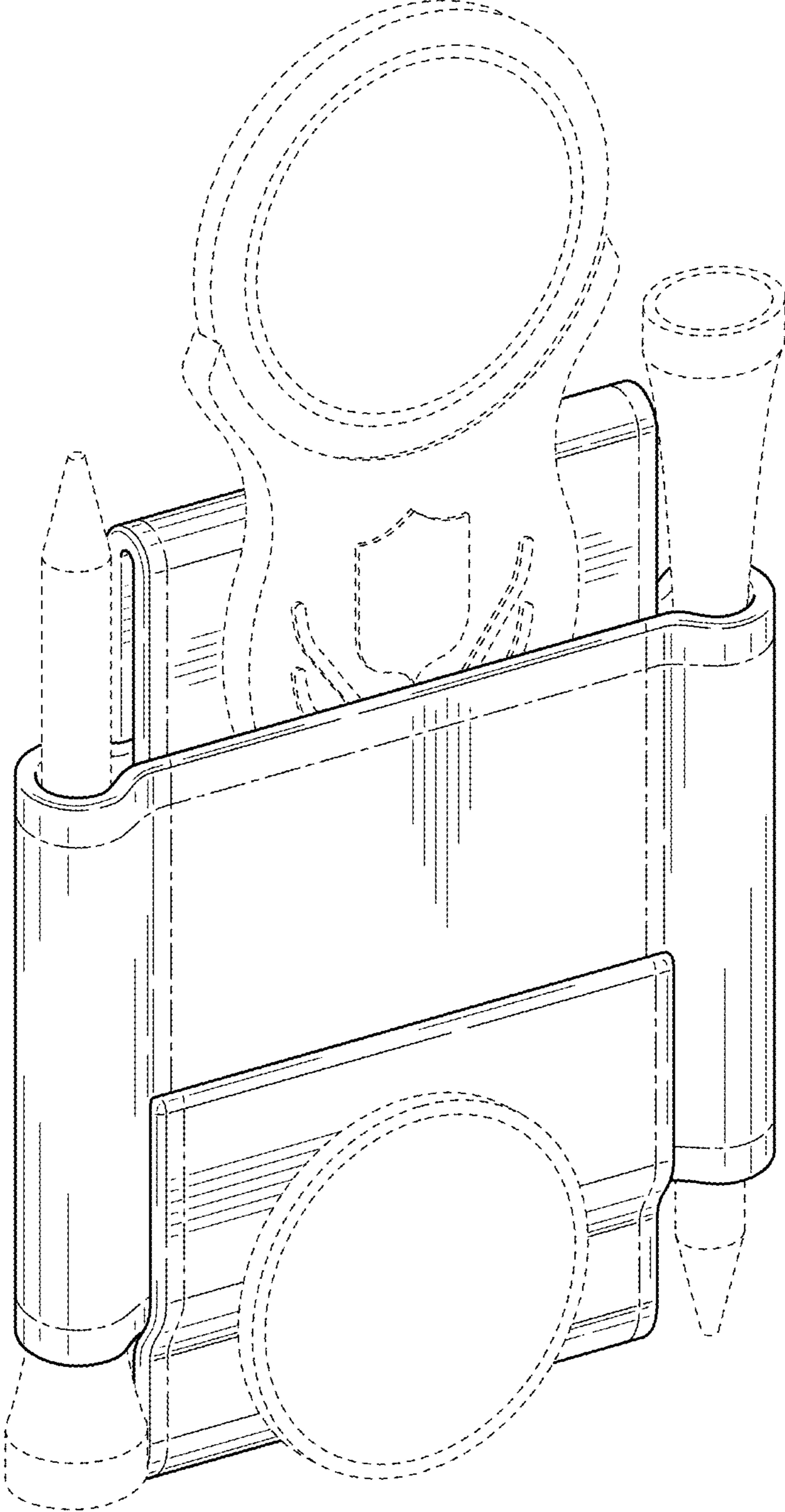


FIG. 1

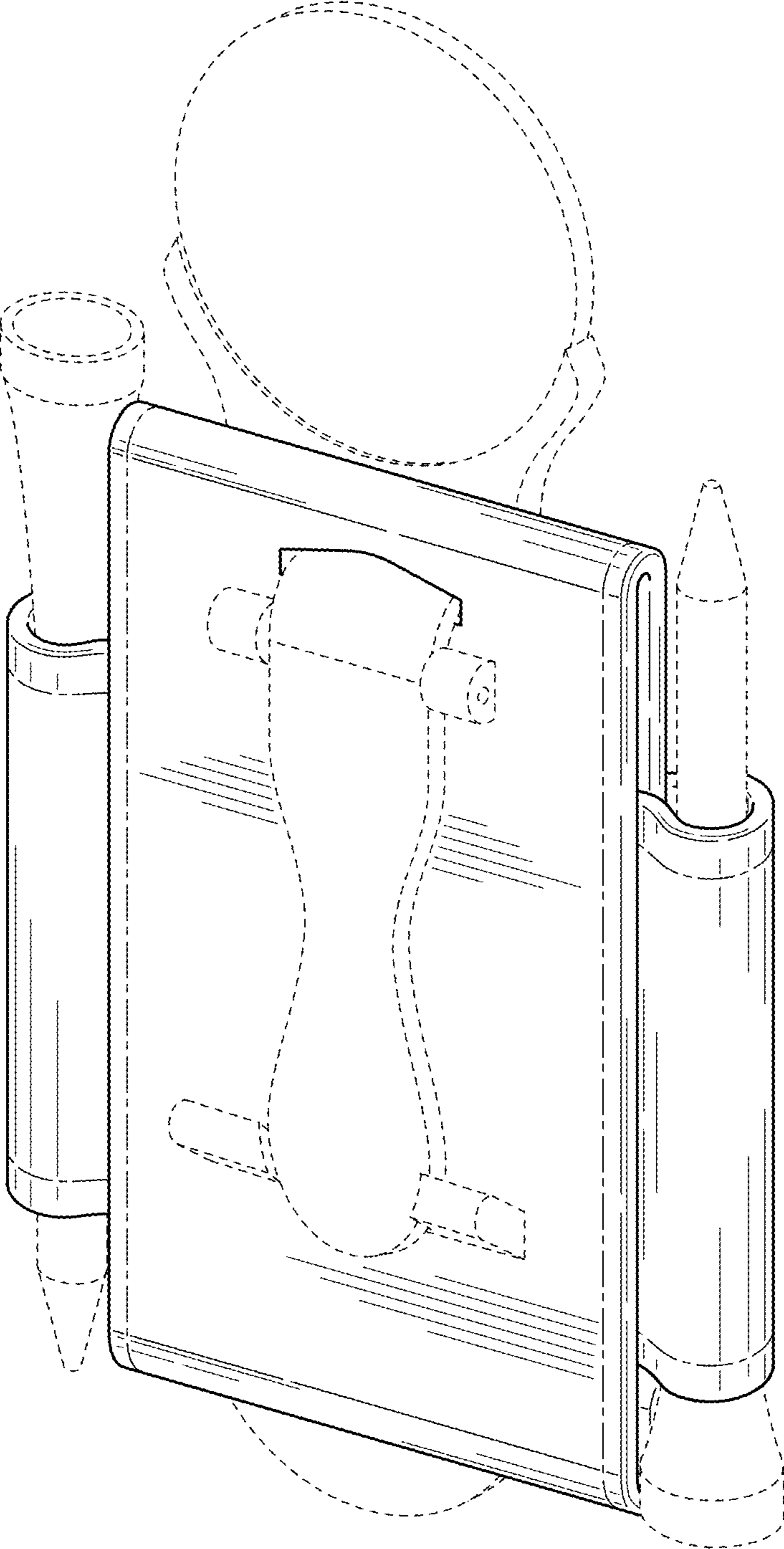


FIG. 2

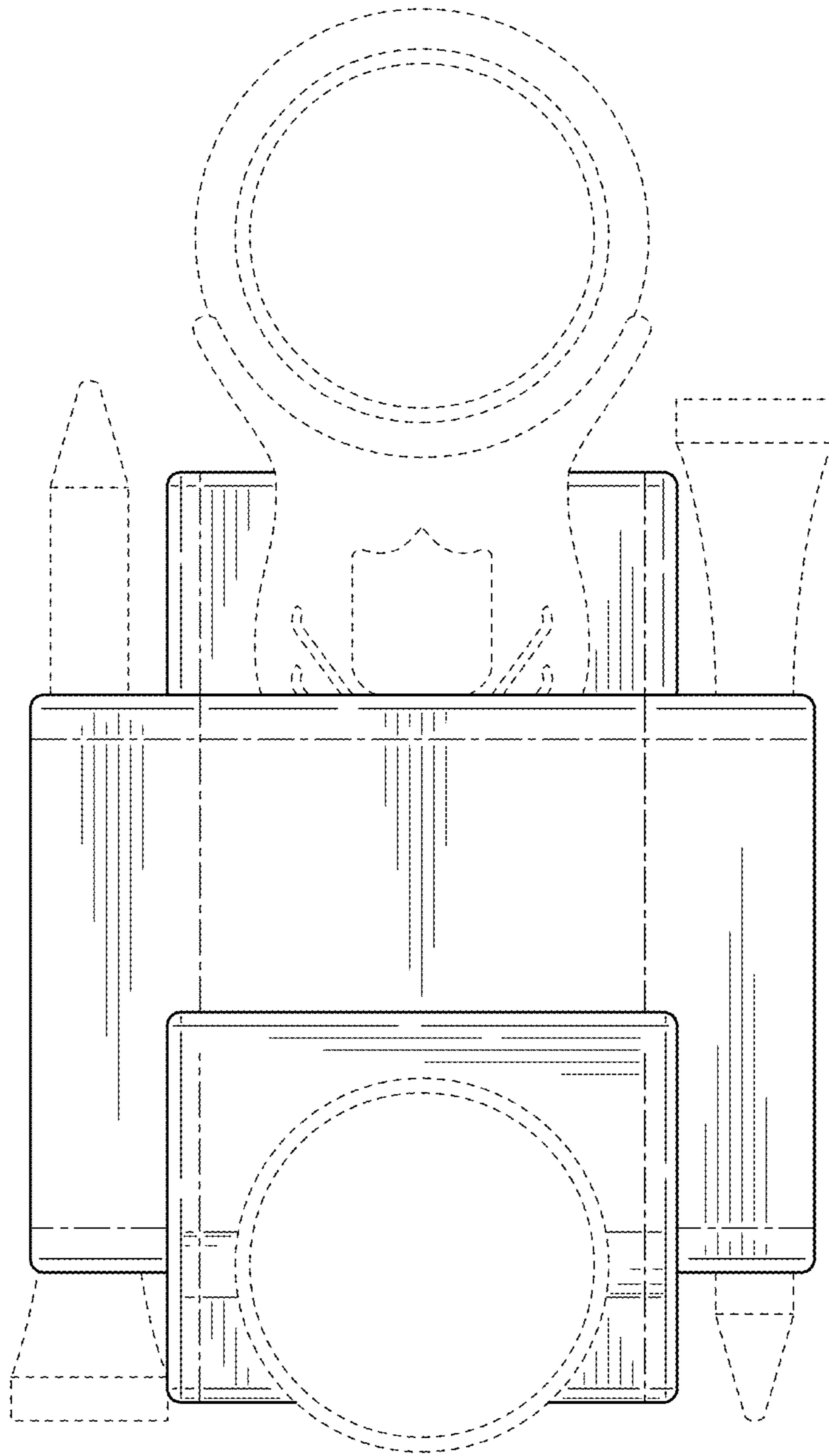


FIG. 3

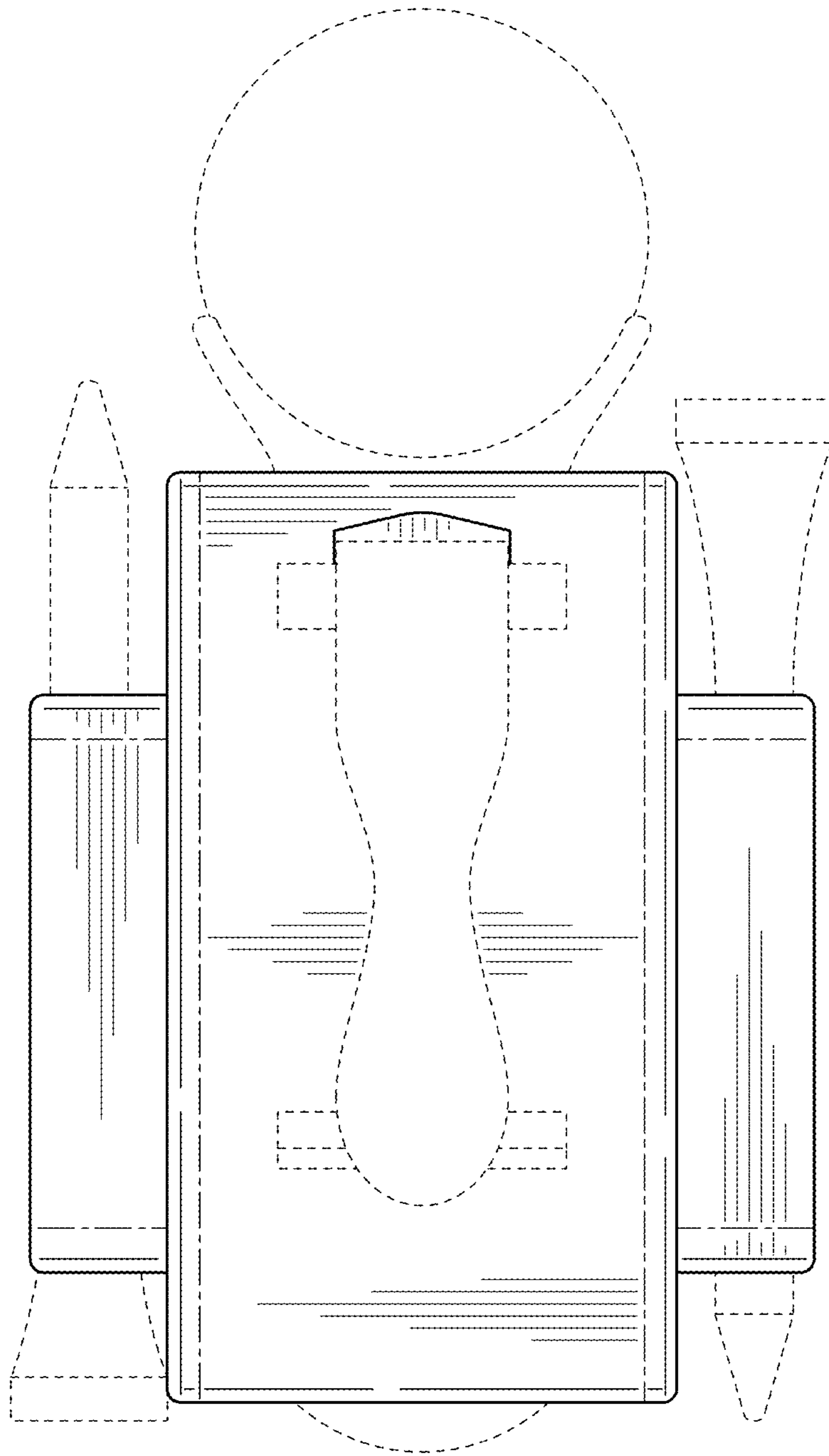


FIG. 4

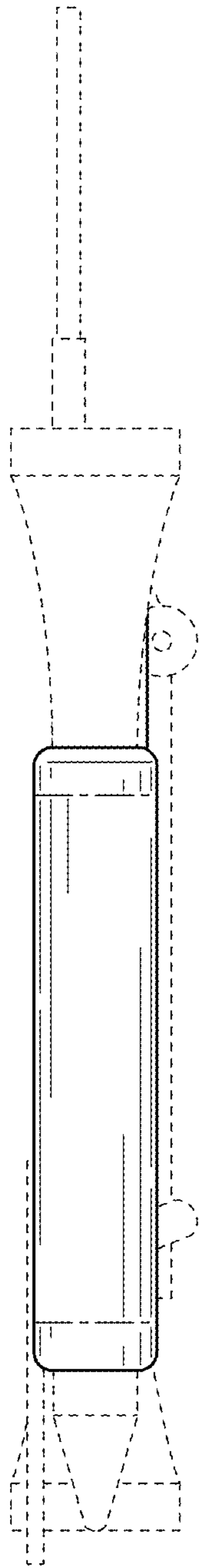


FIG. 5

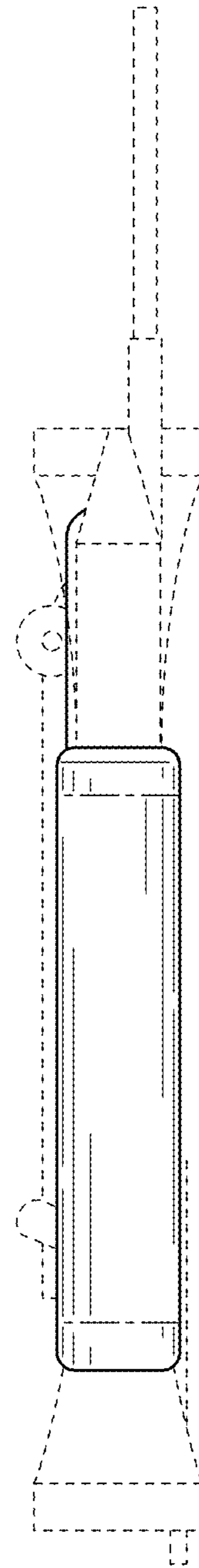


FIG. 6

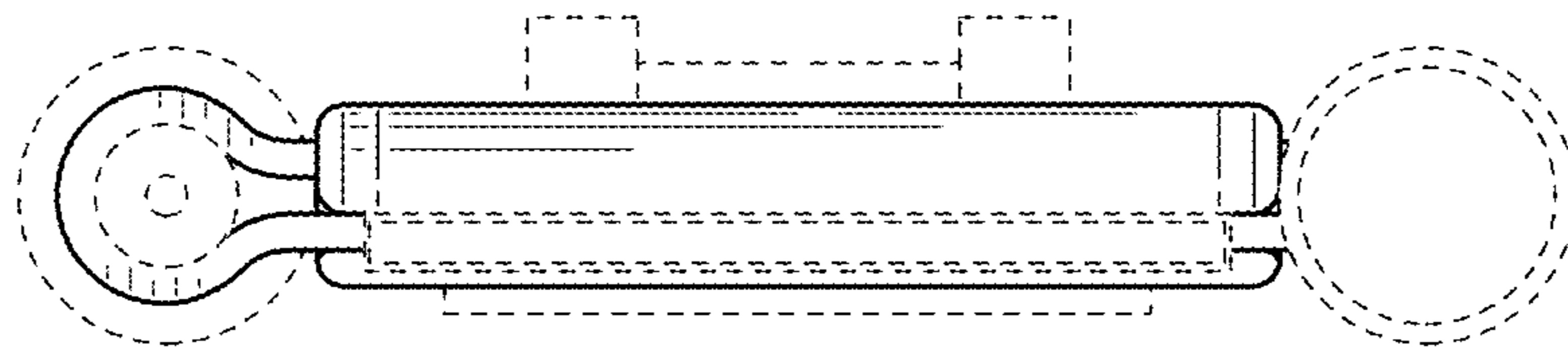


FIG. 7

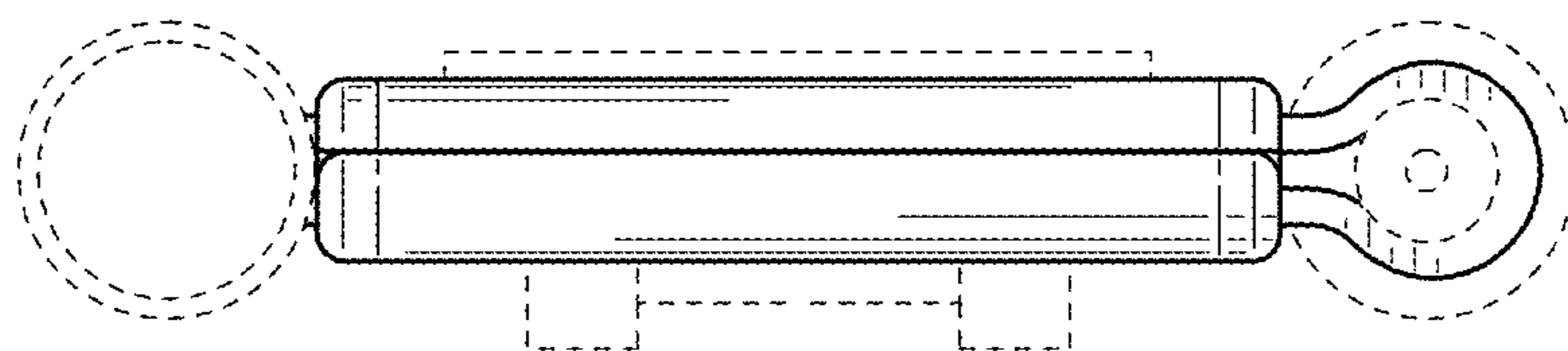


FIG. 8

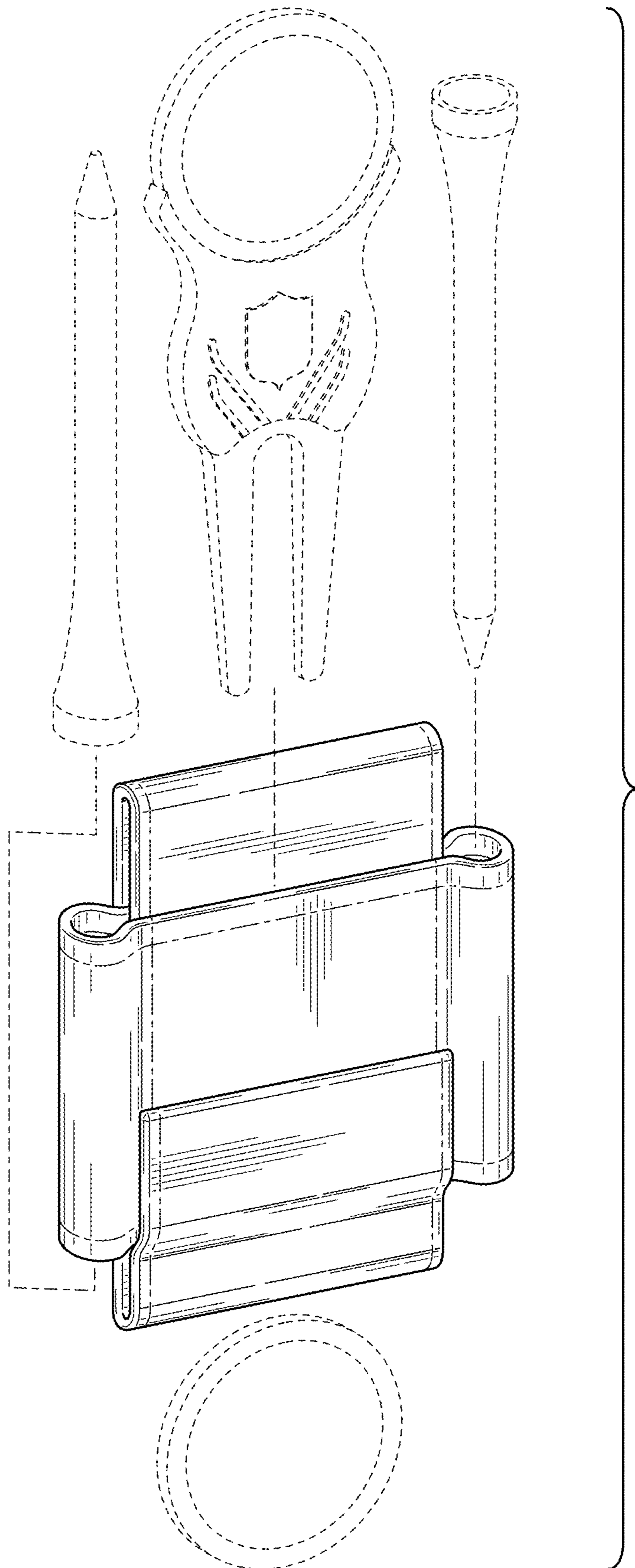


FIG. 9

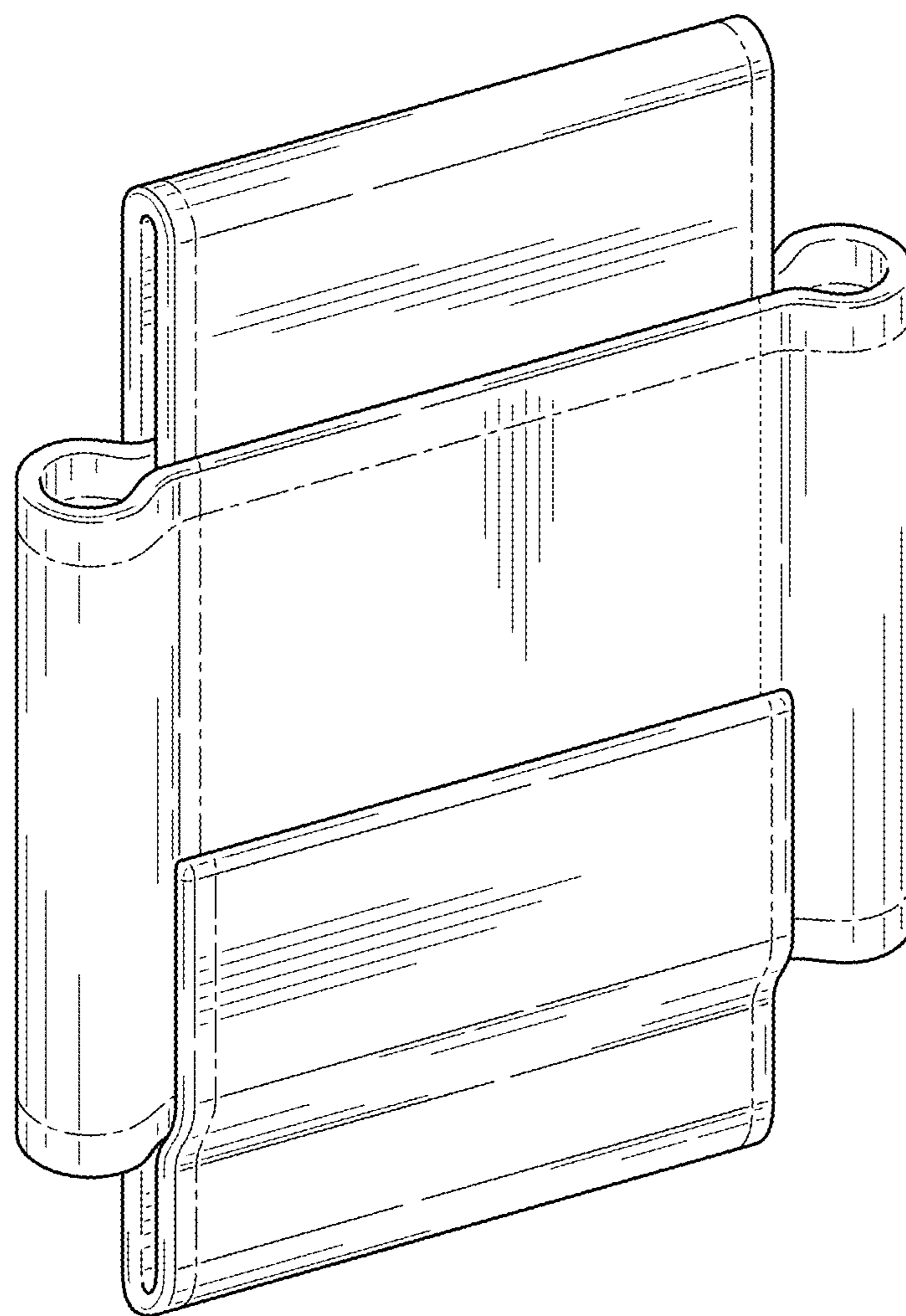


FIG. 10

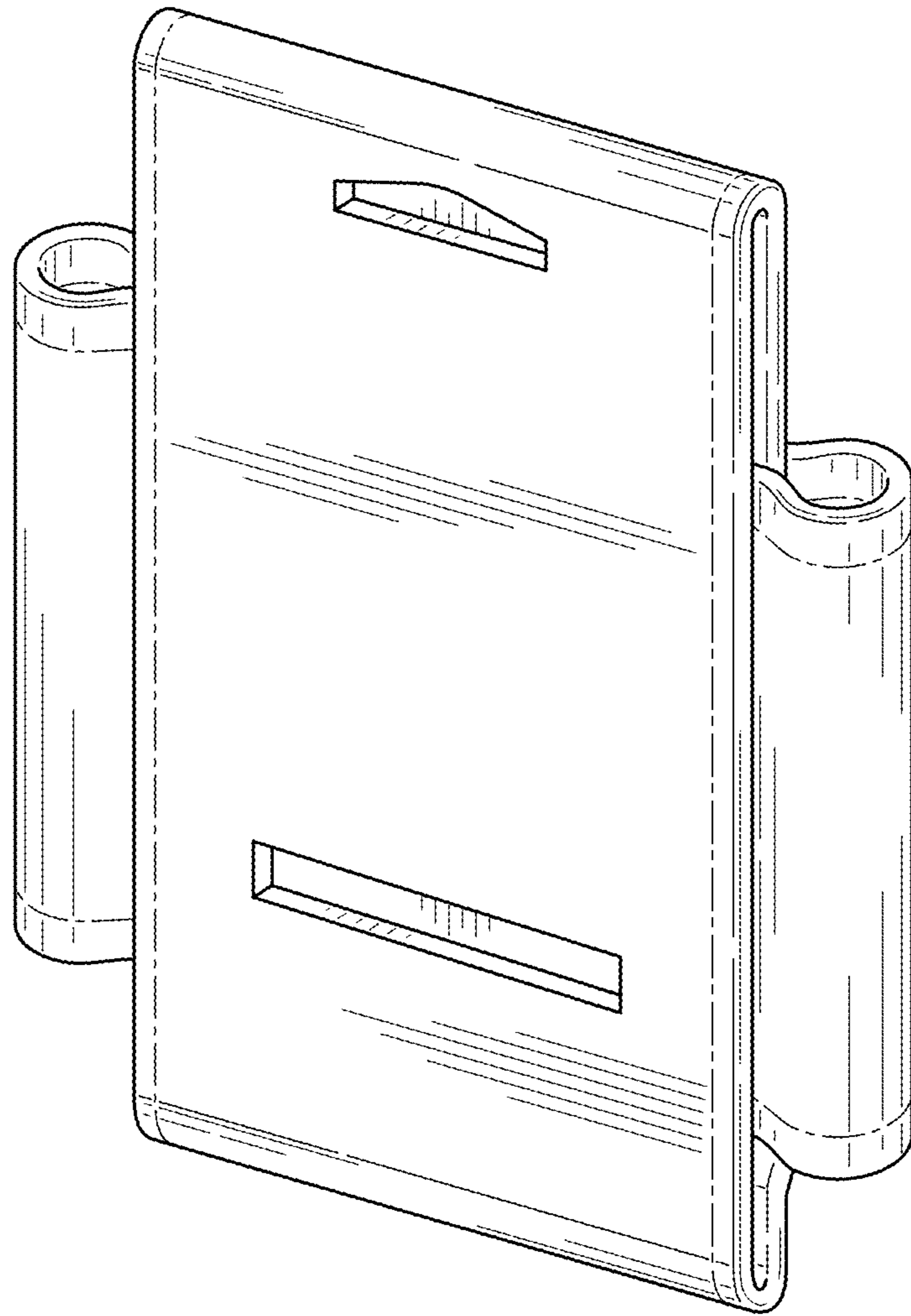


FIG. 11

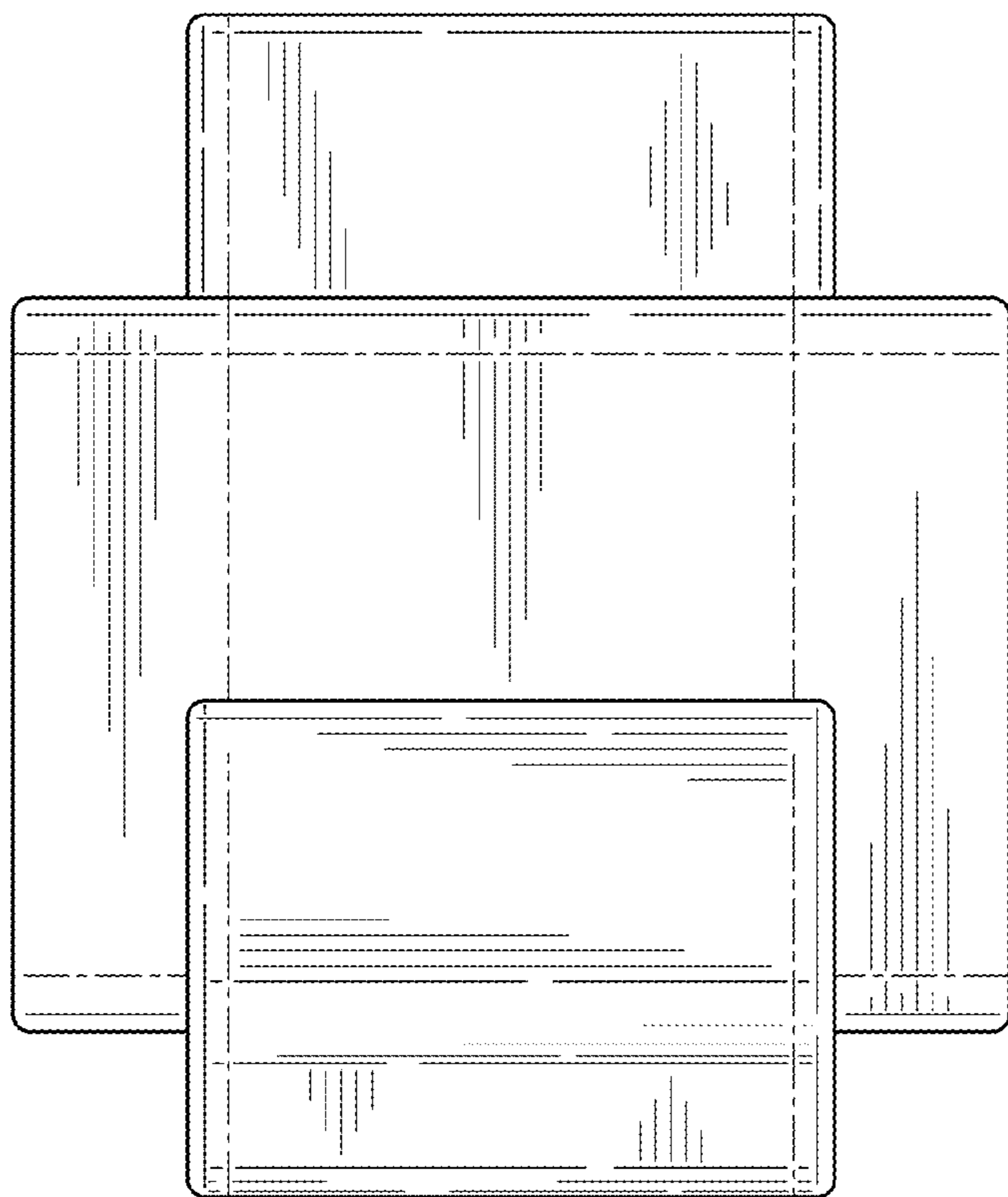


FIG. 12

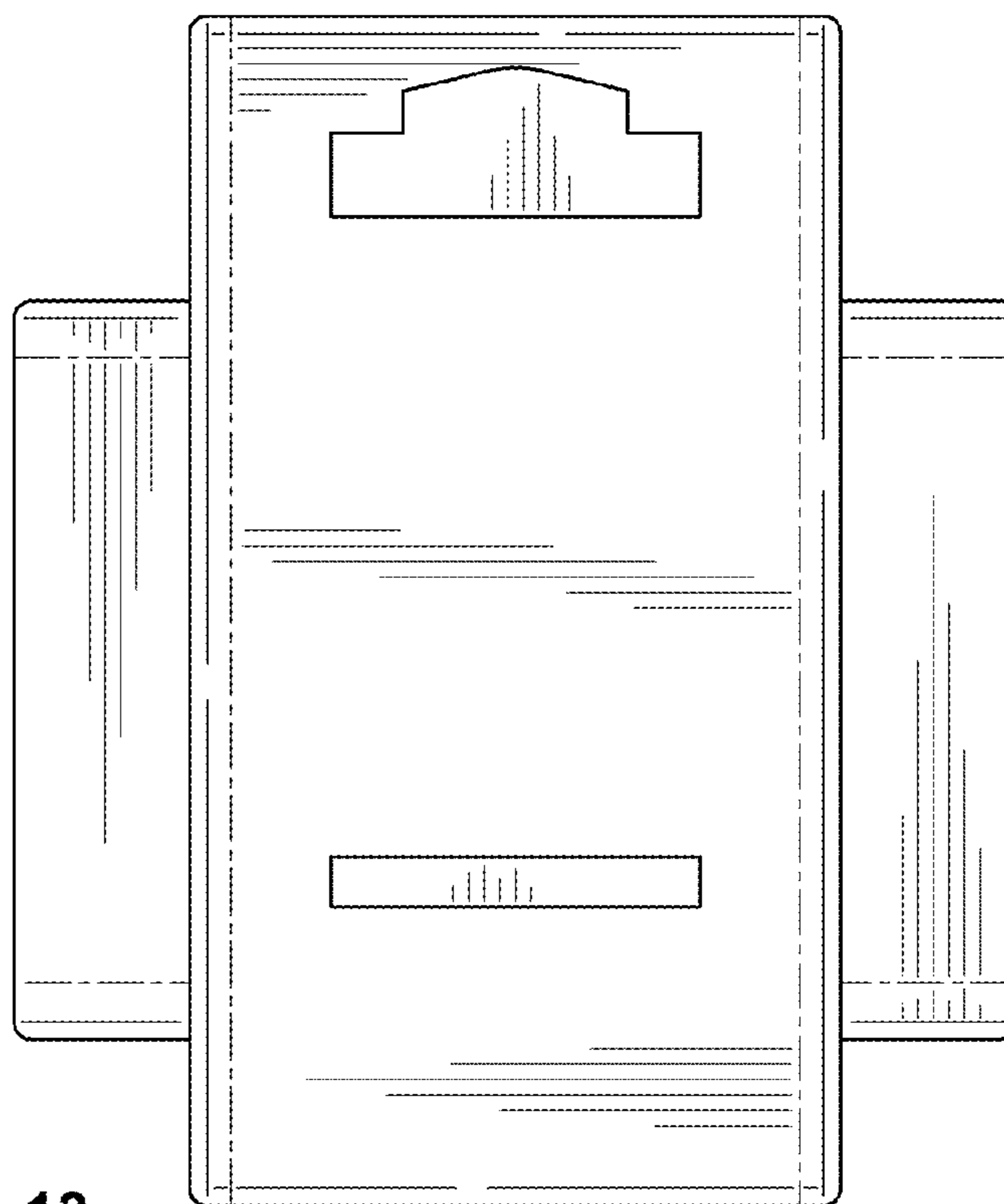


FIG. 13

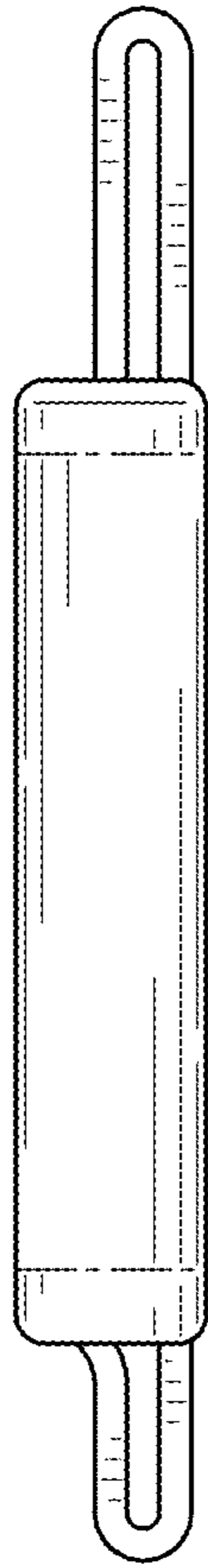


FIG. 14

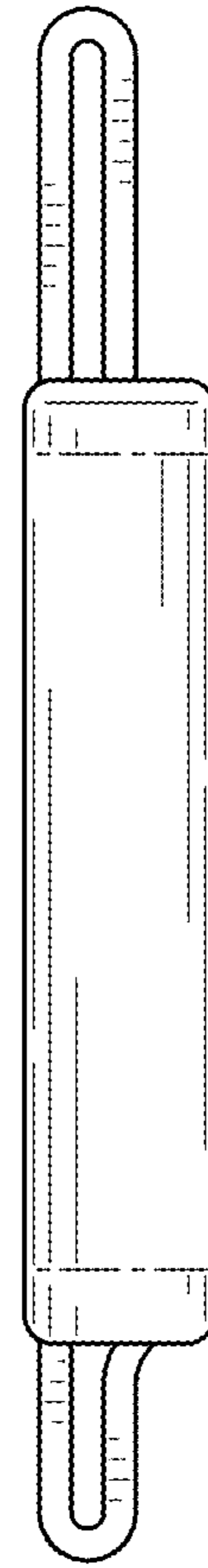


FIG. 15

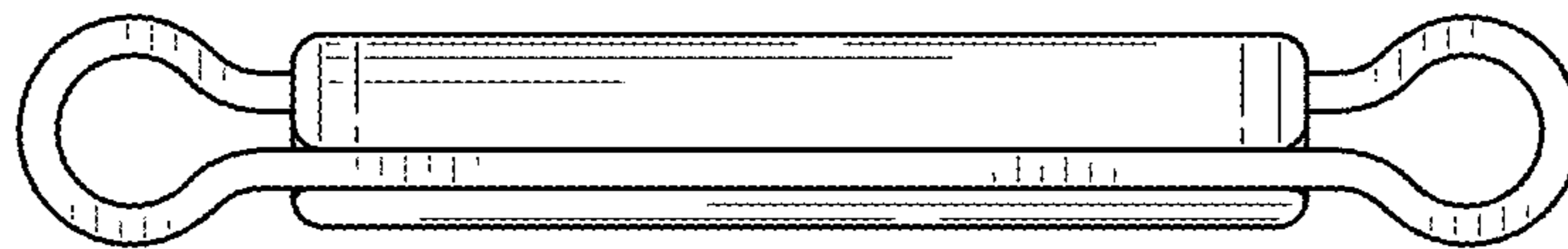


FIG. 16

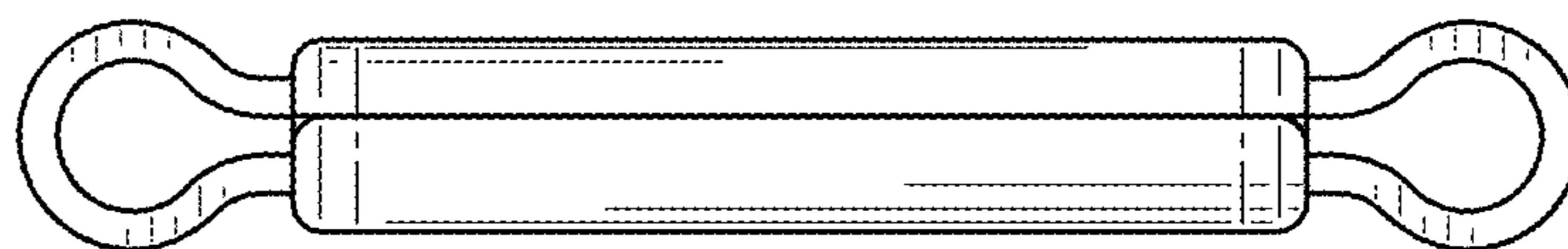


FIG. 17