



US00D894605S

(12) **United States Design Patent** (10) **Patent No.:** **US D894,605 S**  
**Liu** (45) **Date of Patent:** **\*\* Sep. 1, 2020**

(54) **STRAP HOOK**  
(71) Applicant: **Maoqin Liu**, Shenzhen (CN)  
(72) Inventor: **Maoqin Liu**, Shenzhen (CN)  
(\*\*) Term: **15 Years**  
(21) Appl. No.: **29/728,336**

(22) Filed: **Mar. 17, 2020**  
(51) **LOC (12) Cl.** ..... **03-01**  
(52) **U.S. Cl.**  
USPC ..... **D3/315; D11/201**  
(58) **Field of Classification Search**  
USPC ..... D3/201, 224, 228, 232, 240–246, 315,  
D3/318, 327, 328; D6/323, 328, 315;  
D8/367–373; D11/3, 200, 201; D34/28,  
D34/29  
CPC ..... A45C 3/06; A45C 13/12; A45C 13/30;  
A45C 2013/10; A45C 2013/1015; A45C  
2013/306; A45C 2200/20; A45F  
2003/142; A45F 2005/002; A45F 5/00  
See application file for complete search history.

(56) **References Cited**

**U.S. PATENT DOCUMENTS**

D122,390 S \* 9/1940 Daniels ..... D6/318  
2,467,142 A \* 4/1949 Meyerhoff ..... A47G 25/24  
223/92  
2,476,051 A \* 7/1949 Lev ..... A47G 25/40  
223/94  
D367,142 S \* 2/1996 Platt ..... D29/124  
D389,890 S \* 1/1998 Diodato ..... D21/805  
D390,704 S \* 2/1998 Bloch ..... D3/327  
D395,555 S 6/1998 Ursitti  
D403,162 S \* 12/1998 Williams ..... D3/327  
D404,919 S \* 2/1999 McCorkle, Jr. .... D3/315  
D426,173 S 6/2000 Fildan  
6,158,636 A \* 12/2000 Latiolais ..... A45F 3/14  
224/257  
D482,837 S \* 11/2003 Westbrook ..... D34/28

D488,710 S \* 4/2004 Holton ..... D8/367  
D551,541 S \* 9/2007 Kuo ..... D8/367  
D681,503 S \* 5/2013 McDaniel ..... D11/200  
D699,449 S \* 2/2014 Cheng ..... D6/315  
D700,826 S \* 3/2014 Qin ..... D8/367  
D784,692 S \* 4/2017 Sandorffy ..... D3/254  
D814,904 S 4/2018 Renderer  
D840,153 S \* 2/2019 Persellin ..... D3/315  
D889,843 S \* 7/2020 Liu ..... D3/327  
2002/0139826 A1 \* 10/2002 Matthews ..... A45F 3/14  
224/607  
2006/0102672 A1 \* 5/2006 Godshaw ..... A45C 13/30  
224/572

(Continued)

**OTHER PUBLICATIONS**

Universal carry strap (availalbe online) Retrieved from the internet  
Jul. 23, 2020 from URL: [https://www.strapworks.com/Universal\\_Carry\\_Straps\\_s/749.htm](https://www.strapworks.com/Universal_Carry_Straps_s/749.htm).\*

*Primary Examiner* — Kevin K Rudzinski  
*Assistant Examiner* — Richard Kearney

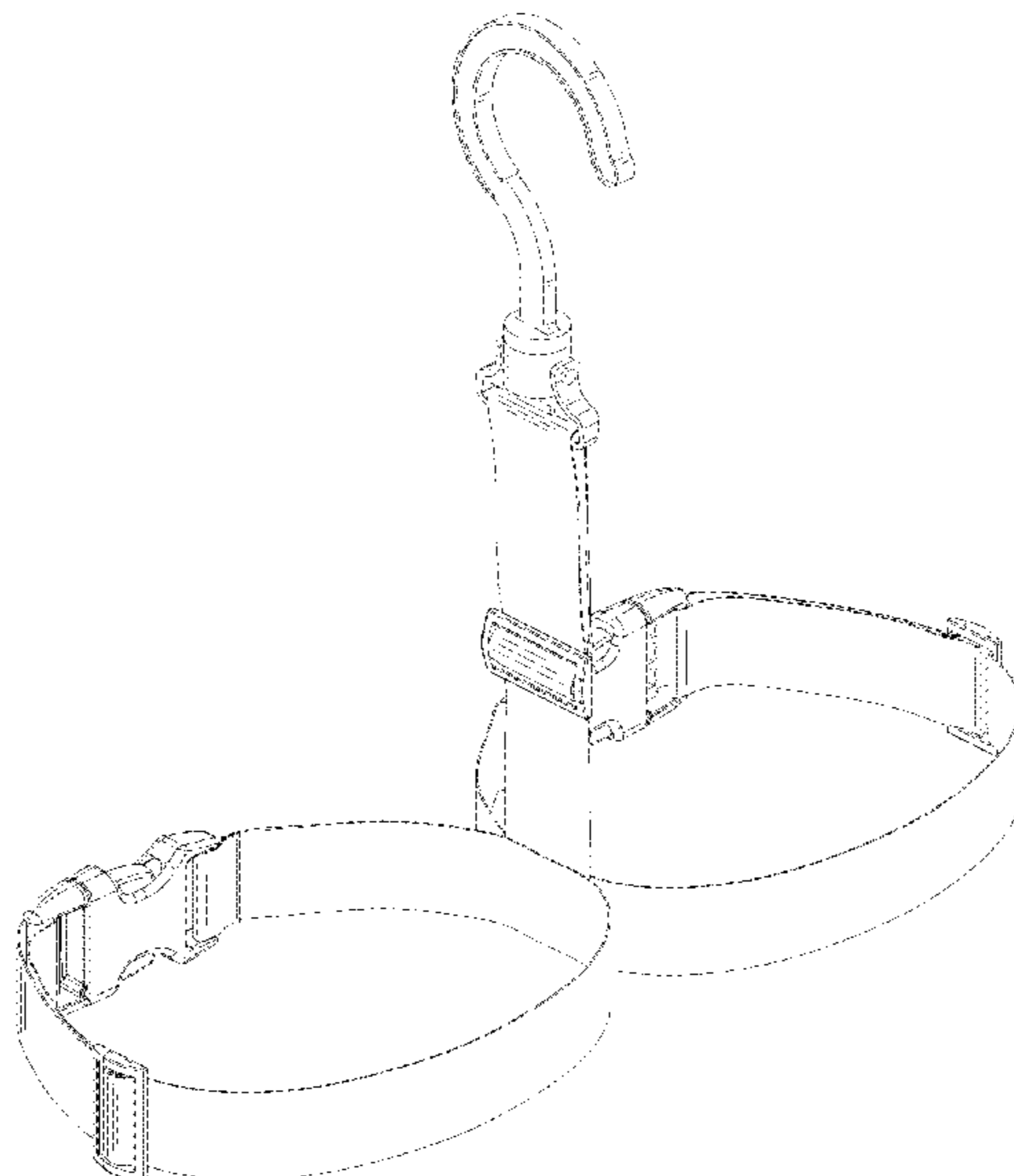
(57) **CLAIM**

The ornamental design for a strap hook, as shown and described.

**DESCRIPTION**

FIG. 1 is a perspective view of a strap hook showing my new design;  
FIG. 2 is a front elevational view thereof;  
FIG. 3 is a rear elevational view thereof;  
FIG. 4 is a left side elevational view thereof;  
FIG. 5 is a right side elevational view thereof;  
FIG. 6 is a top plan view thereof;  
FIG. 7 is a bottom plan view thereof; and,  
FIG. 8 is a perspective view thereof shown in a condition of use.  
The broken lines shown in FIG. 8 illustrate environmental subject matter and form no part of the claimed design.

**1 Claim, 8 Drawing Sheets**



(56)

**References Cited**

U.S. PATENT DOCUMENTS

2006/0180728 A1\* 8/2006 Abrantes ..... B63C 15/00  
248/328  
2008/0116028 A1\* 5/2008 Gold ..... A45C 13/30  
190/18 A  
2009/0057358 A1\* 3/2009 Cheesman ..... A45C 13/30  
224/250  
2015/0189975 A1\* 7/2015 Gardner ..... A45F 3/14  
224/250  
2017/0027308 A1\* 2/2017 Christman ..... A45F 3/14

\* cited by examiner

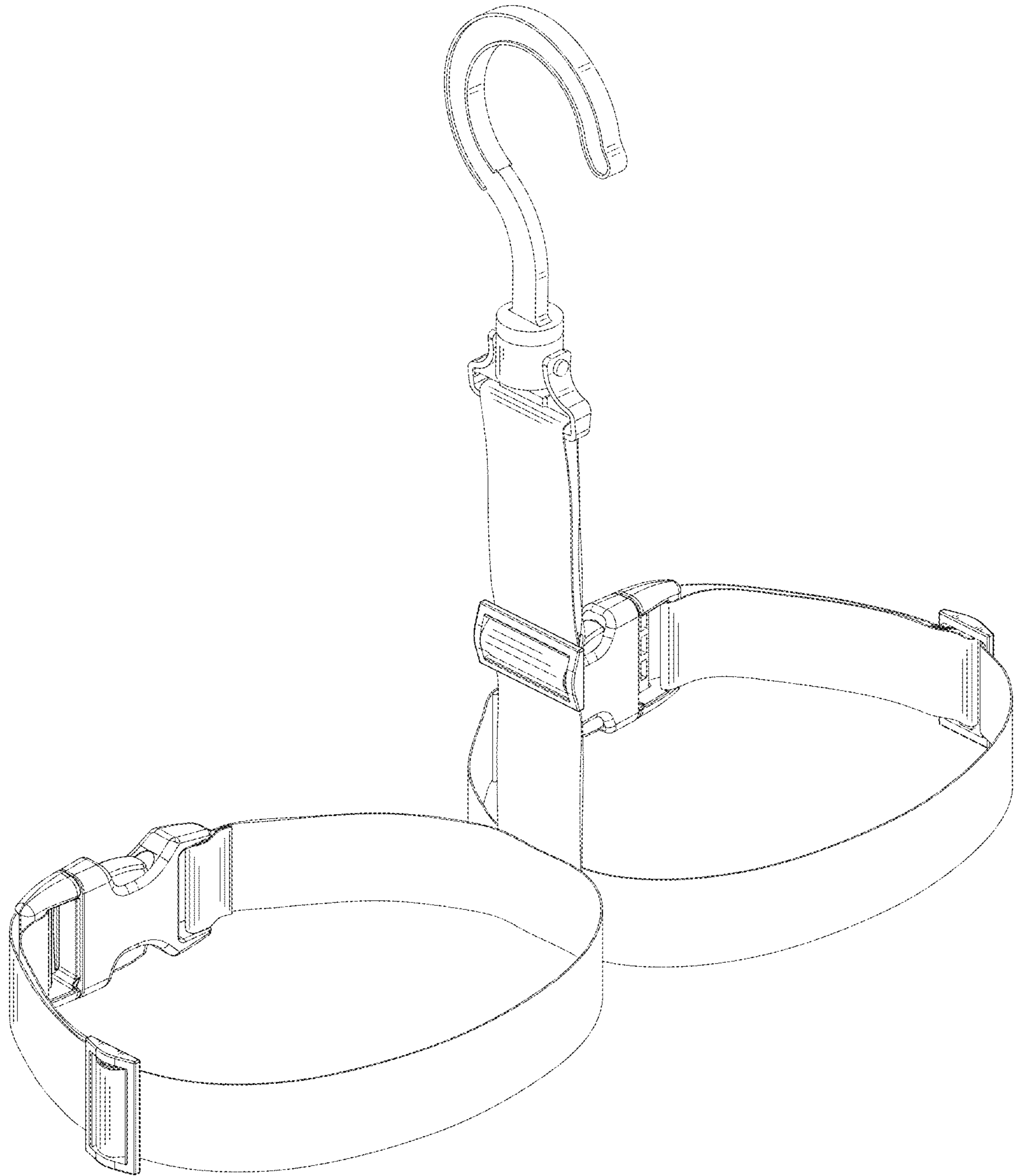


FIG. 1

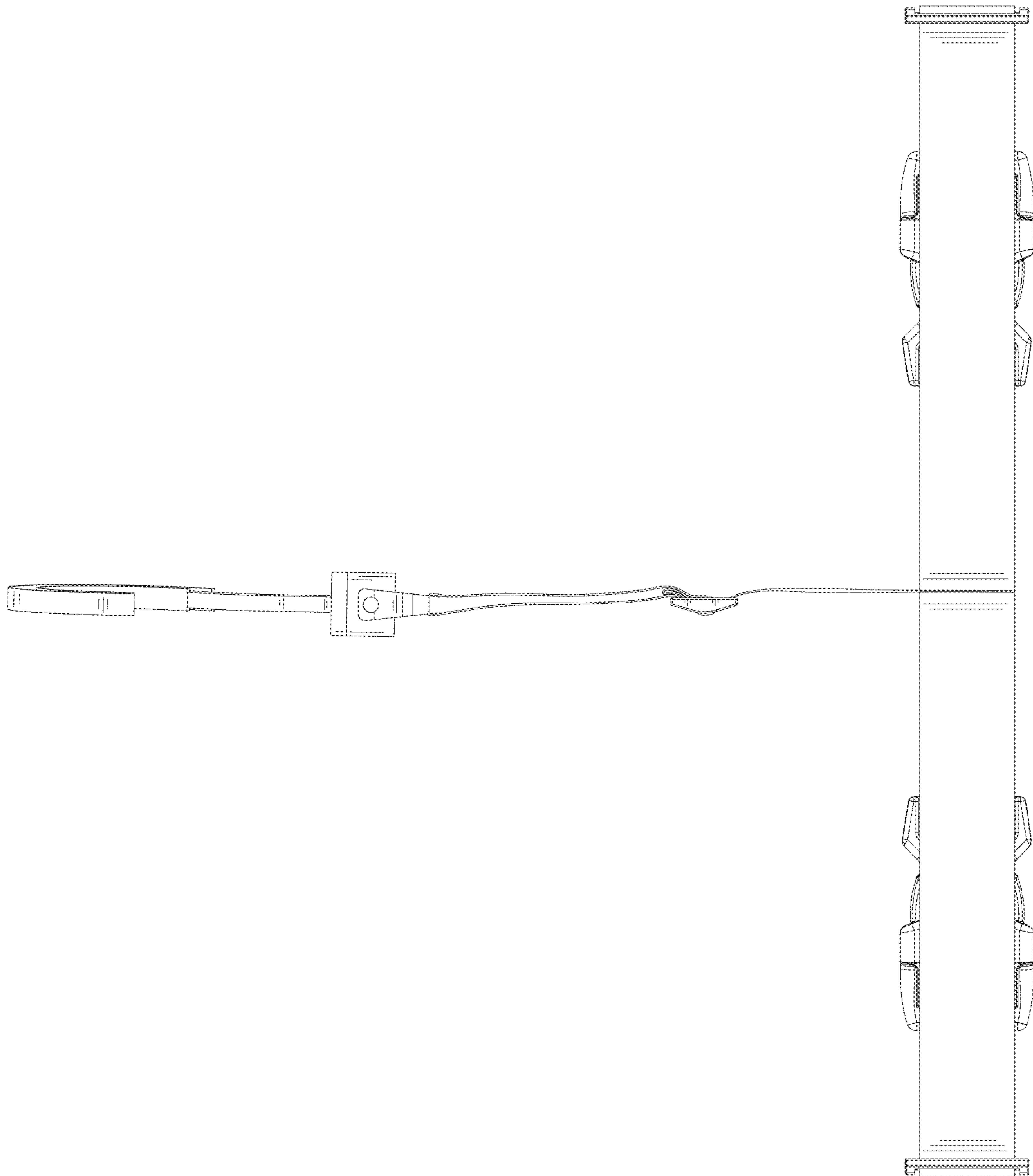


FIG. 2

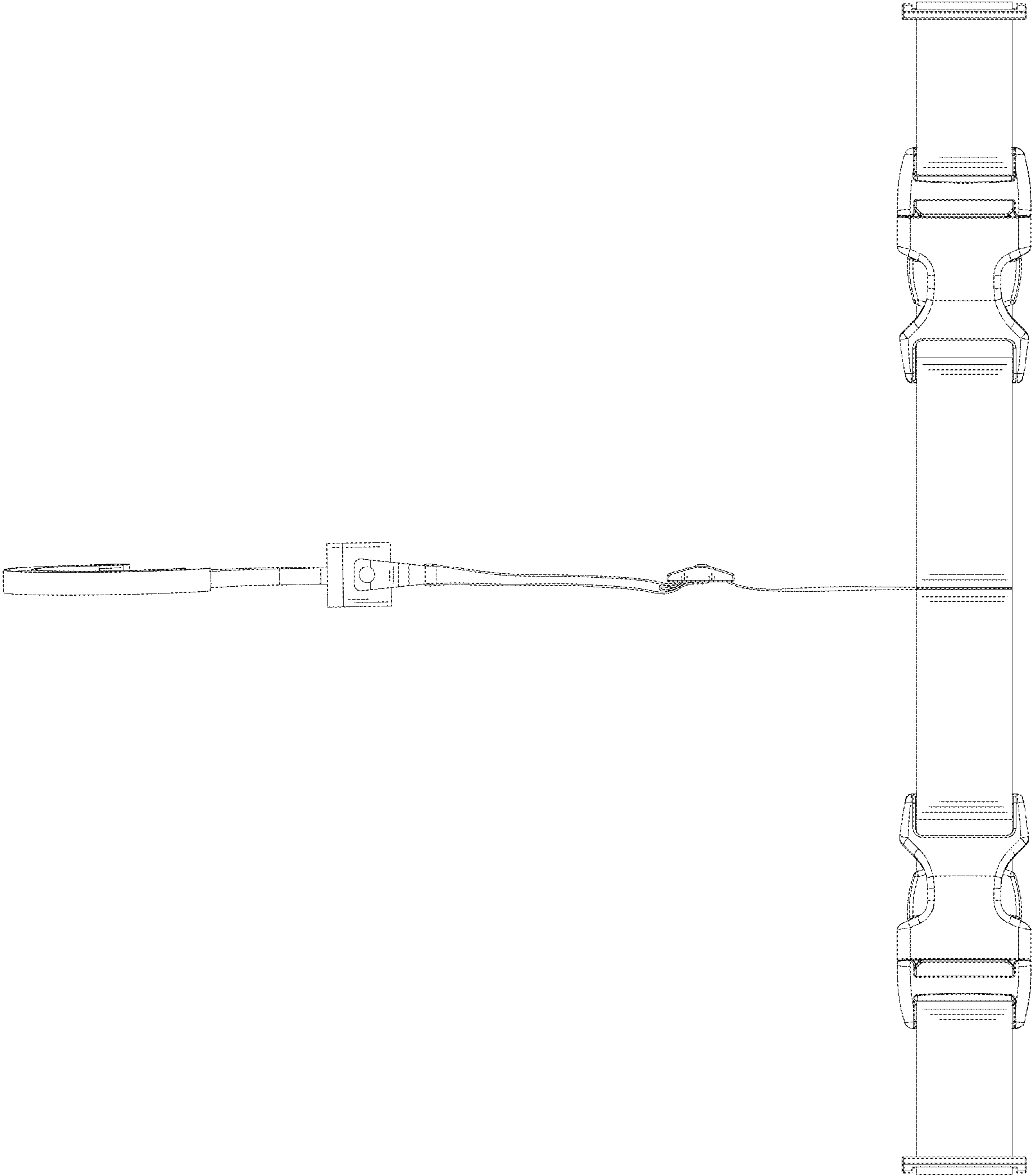


FIG. 3

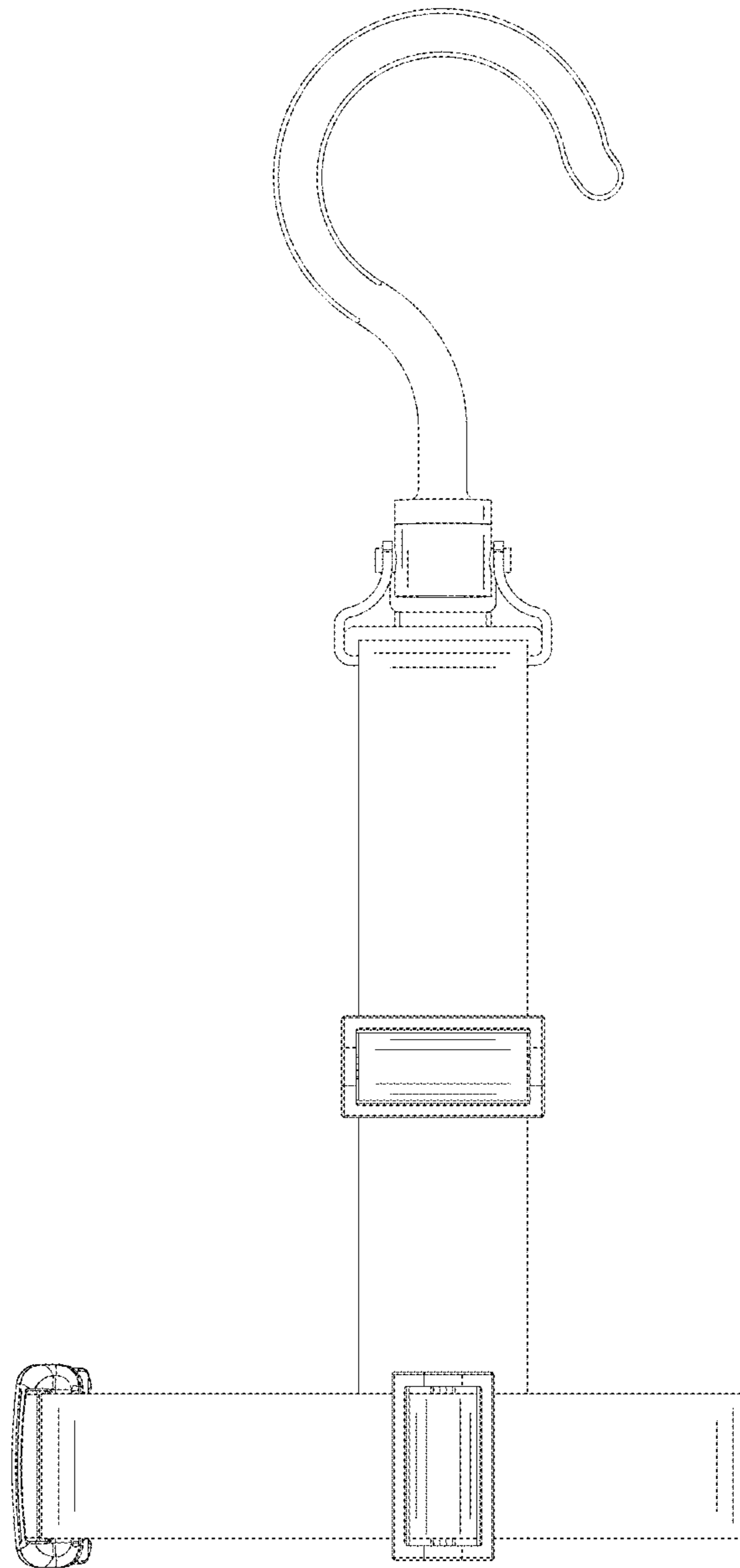


FIG. 4

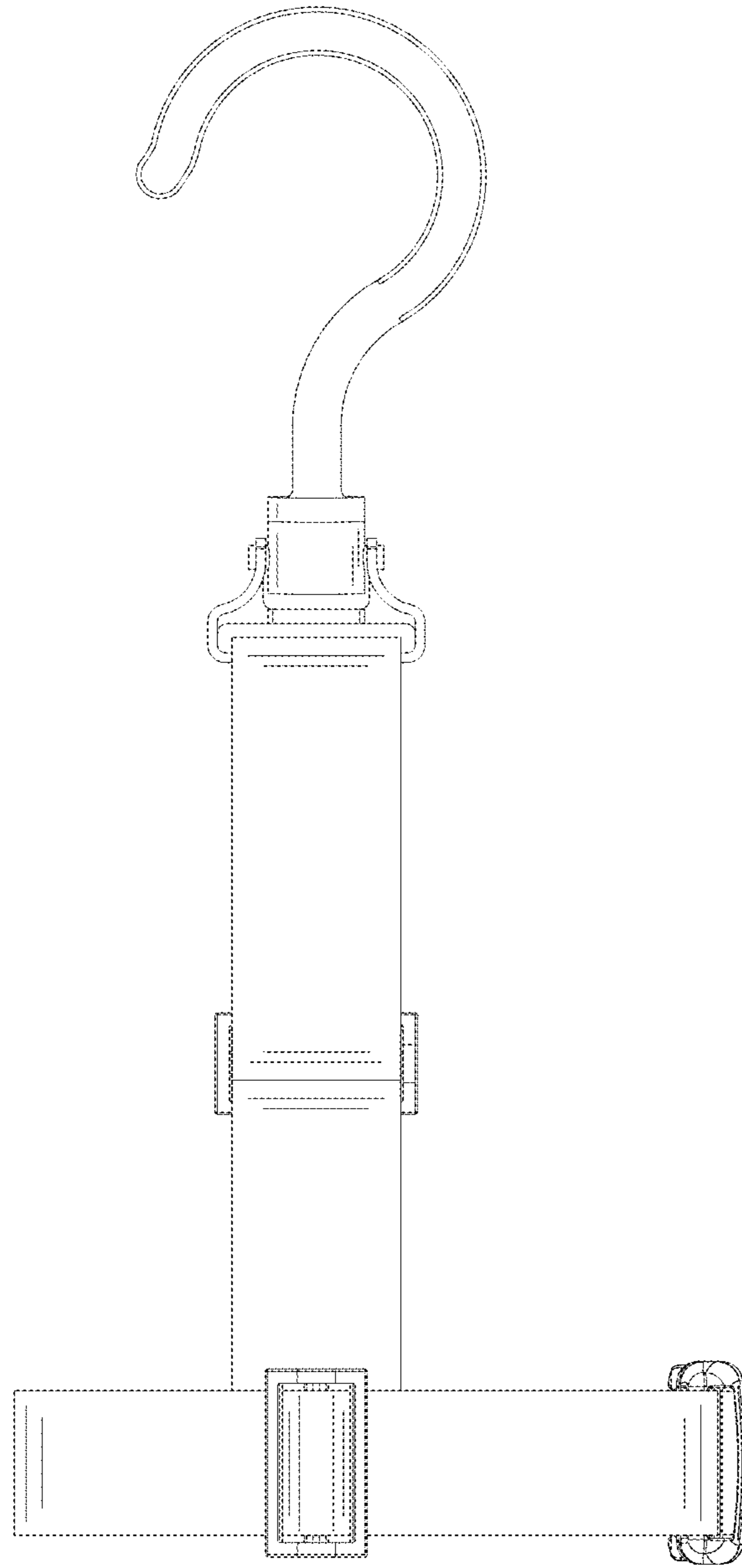


FIG. 5

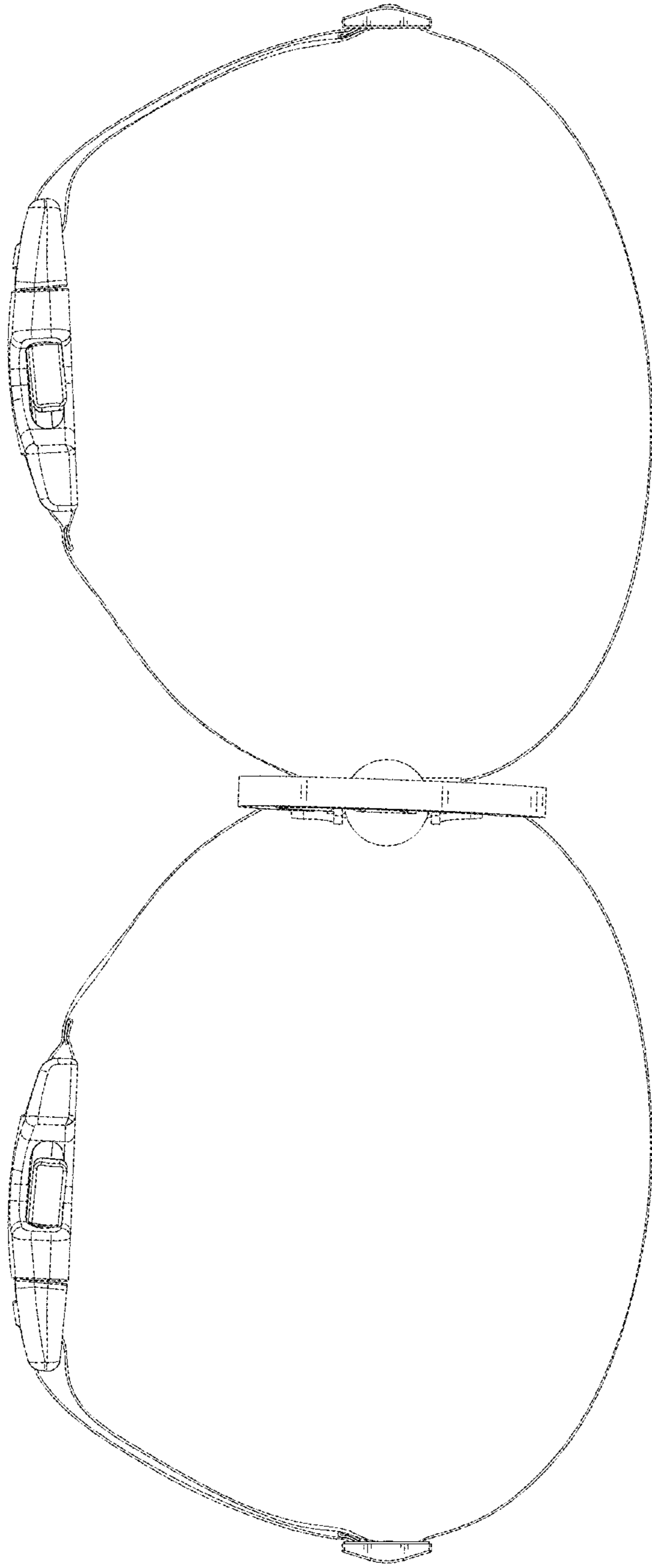


FIG. 6



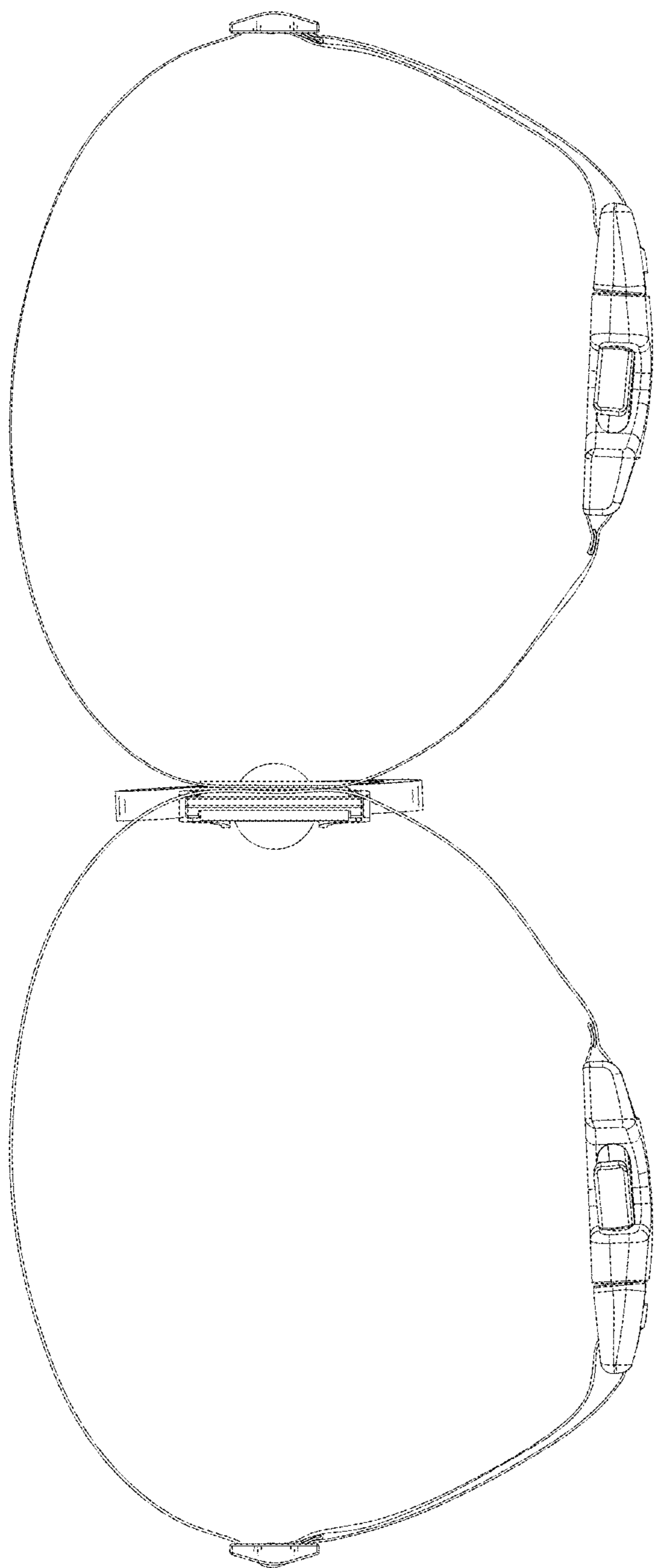


FIG. 7

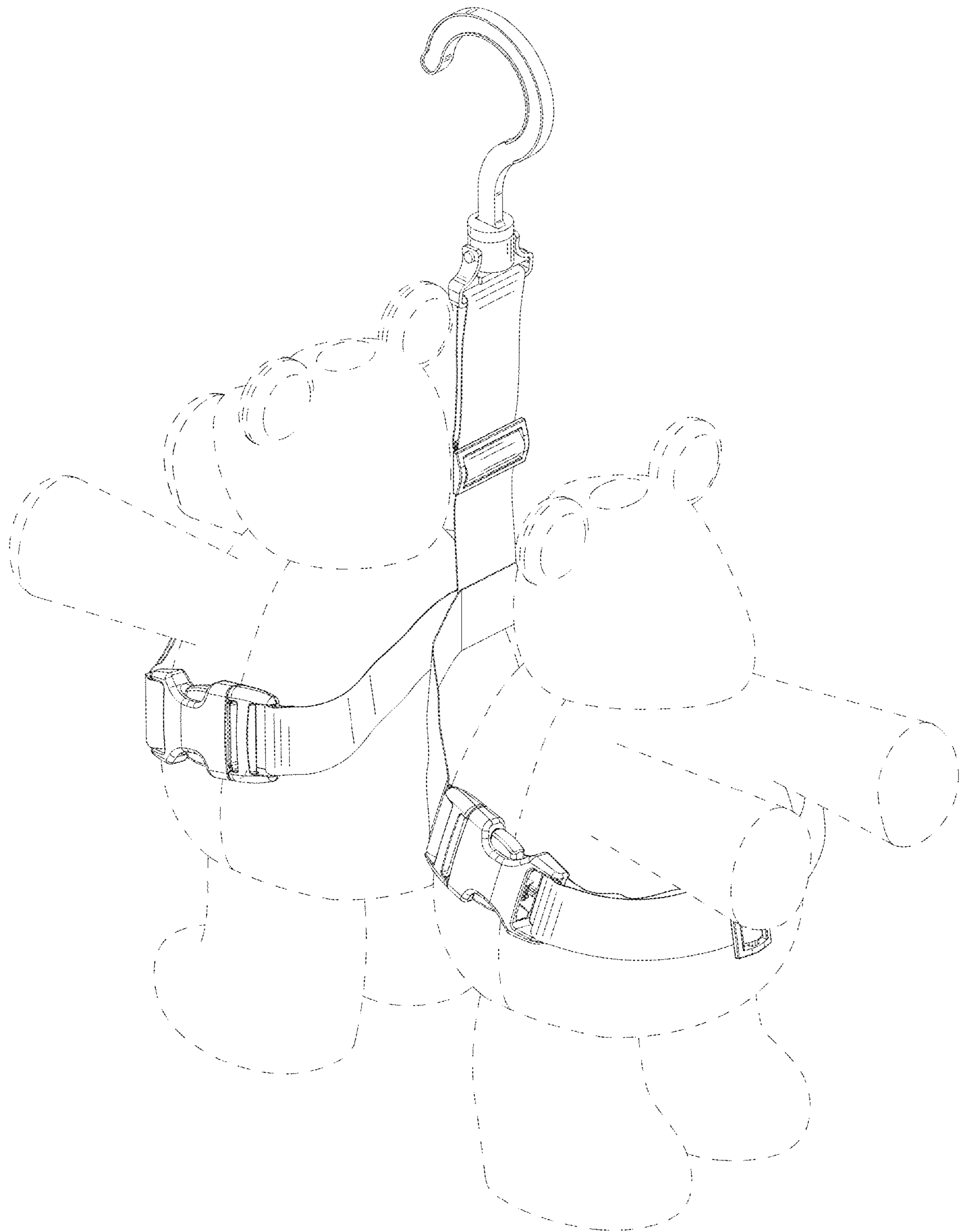


FIG. 8