



US00D894603S

(12) **United States Design Patent**
Dittrich

(10) **Patent No.:** **US D894,603 S**

(45) **Date of Patent:** **** Sep. 1, 2020**

(54) **BASKET**

- (71) Applicant: **Spectrum Diversified Designs, LLC**, Streetsboro, OH (US)
- (72) Inventor: **Megan Dittrich**, Twinsburg, OH (US)
- (73) Assignee: **SPECTRUM DIVERSIFIED DESIGNS, LLC**, Streetsboro, OH (US)

(**) Term: **15 Years**

(21) Appl. No.: **29/693,605**

(22) Filed: **Jun. 4, 2019**

(51) **LOC (12) Cl.** **03-01**

(52) **U.S. Cl.**
USPC **D3/306**

(58) **Field of Classification Search**
USPC D3/201, 304, 305, 306, 312, 314-315, D3/318-319; D19/75-77, 86
CPC B65D 1/00; B65D 1/34; B65D 1/38
See application file for complete search history.

(56) **References Cited**

U.S. PATENT DOCUMENTS

D650,175 S *	12/2011	Lee	D3/306
D693,577 S	11/2013	Goodman et al.		
D784,697 S *	4/2017	Goodman	D3/306
D819,333 S *	6/2018	Goodman	D3/306
D823,599 S *	7/2018	Goodman	D3/306
D838,979 S	1/2019	Goodman et al.		
D855,351 S *	8/2019	Goodman	D6/566
D862,883 S *	10/2019	Stelmarski	D3/306
D881,574 S *	4/2020	Dittrich	D3/304
2012/0152993 A1 *	6/2012	Chen	B62J 9/00 224/419

OTHER PUBLICATIONS

Medium Vintage Cabinet & Wall Mount Basket, Spectrum Diversified Designs website, <https://www.spectrumdiversified.com/products/medium-vintage-cabinet-wall-mount-basket>, dated May 24, 2019, 1 page.
Small Vintage Cabinet & Wall Mount Basket, Spectrum Diversified Designs website, <https://www.spectrumdiversified.com/products/small-vintage-cabinet-wall-mount-basket>, dated May 24, 2019, 1 page.

* cited by examiner

Primary Examiner — Kelley A Donnelly

(74) *Attorney, Agent, or Firm* — Tucker Ellis LLP

(57) **CLAIM**

The ornamental design for a basket, as shown and described.

DESCRIPTION

FIG. 1 is a perspective view of a basket showing my new design.

FIG. 2 is a front view thereof.

FIG. 3 is a rear view thereof.

FIG. 4 is a left side view thereof.

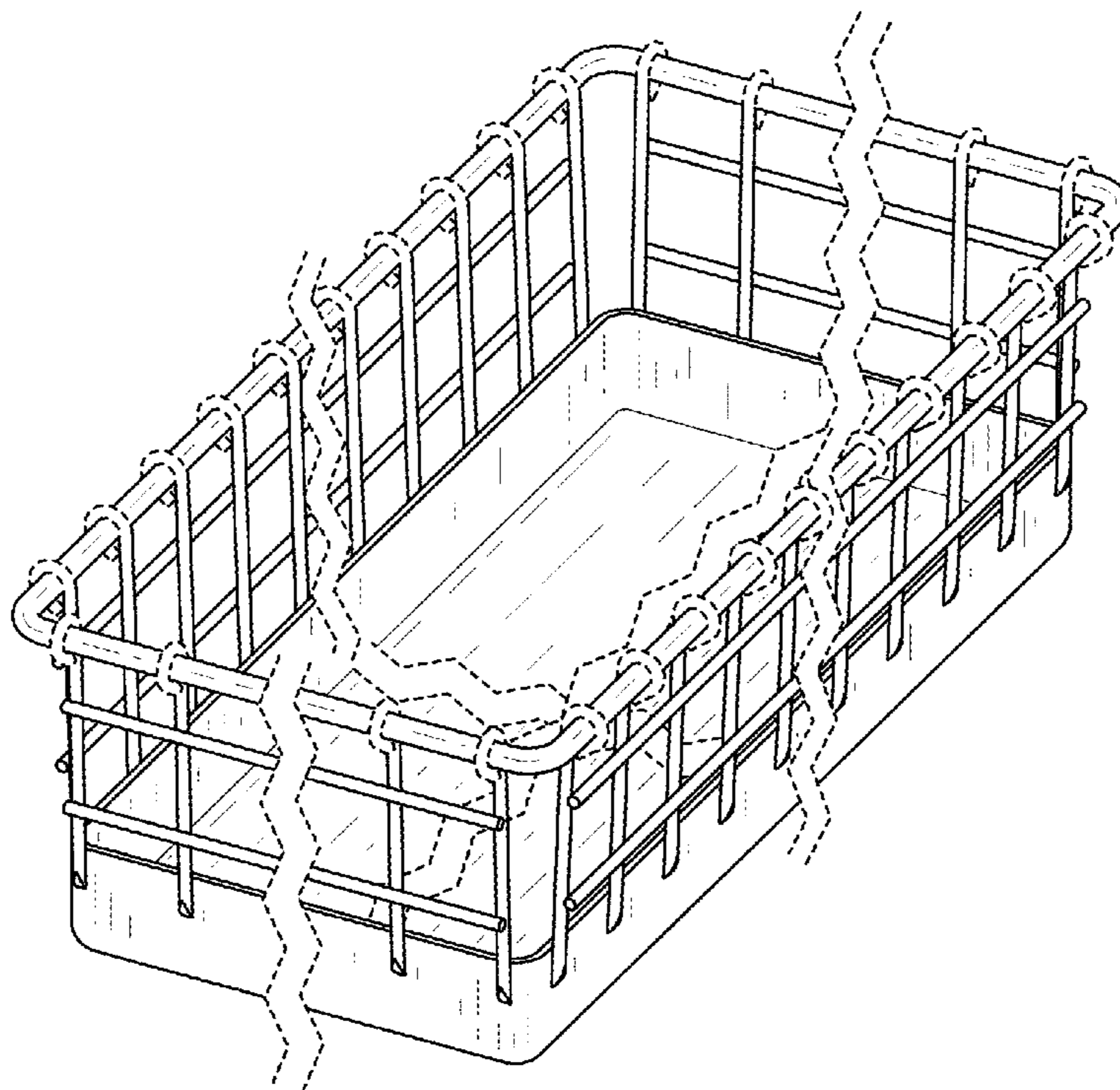
FIG. 5 is a right side view thereof.

FIG. 6 is a top view thereof; and,

FIG. 7 is a bottom view thereof.

The broken lines show portions of the design that form no part of the claimed design. The break lines represent sections of the basket of indeterminate length and width.

1 Claim, 4 Drawing Sheets



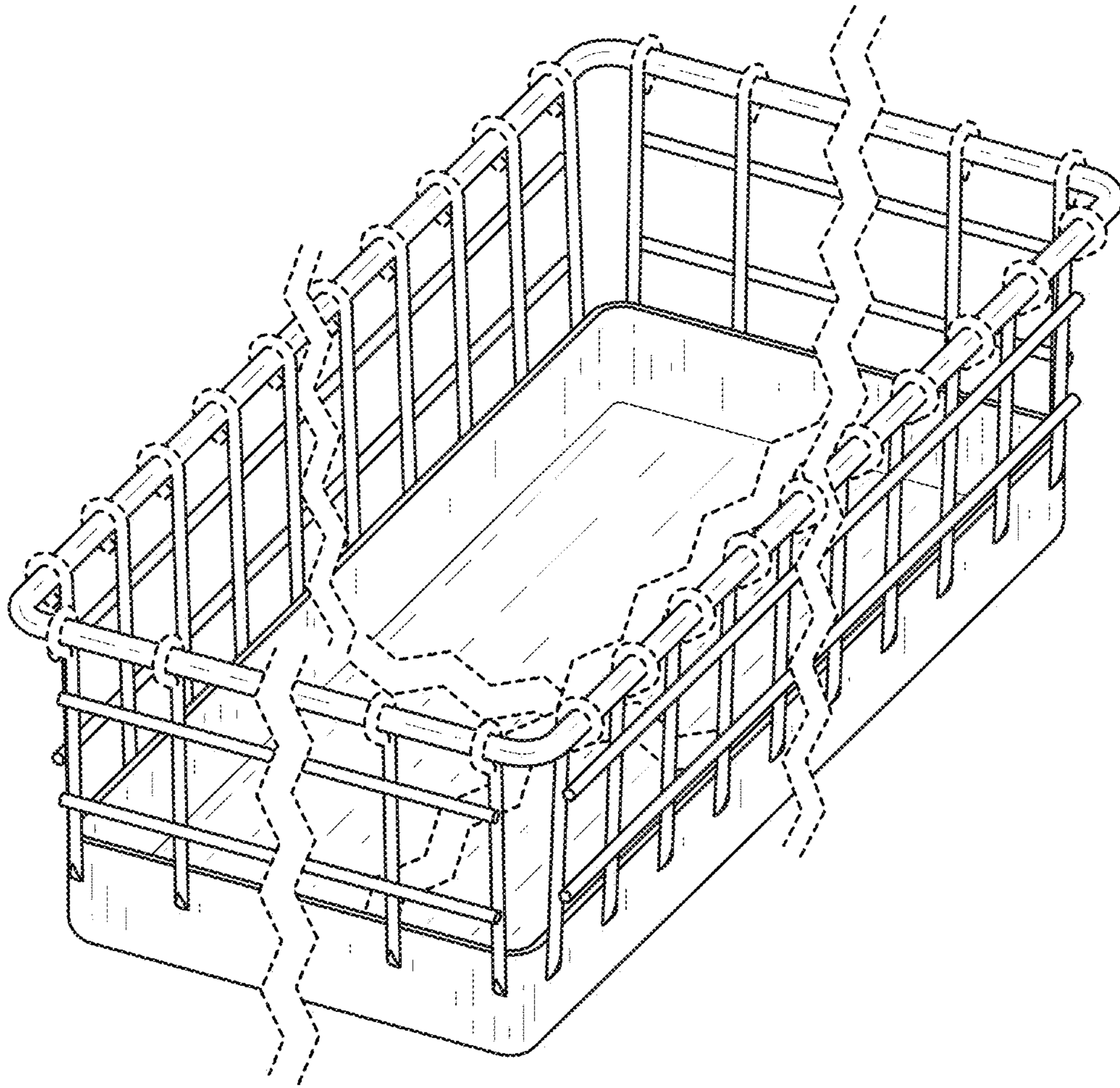


FIG. 1

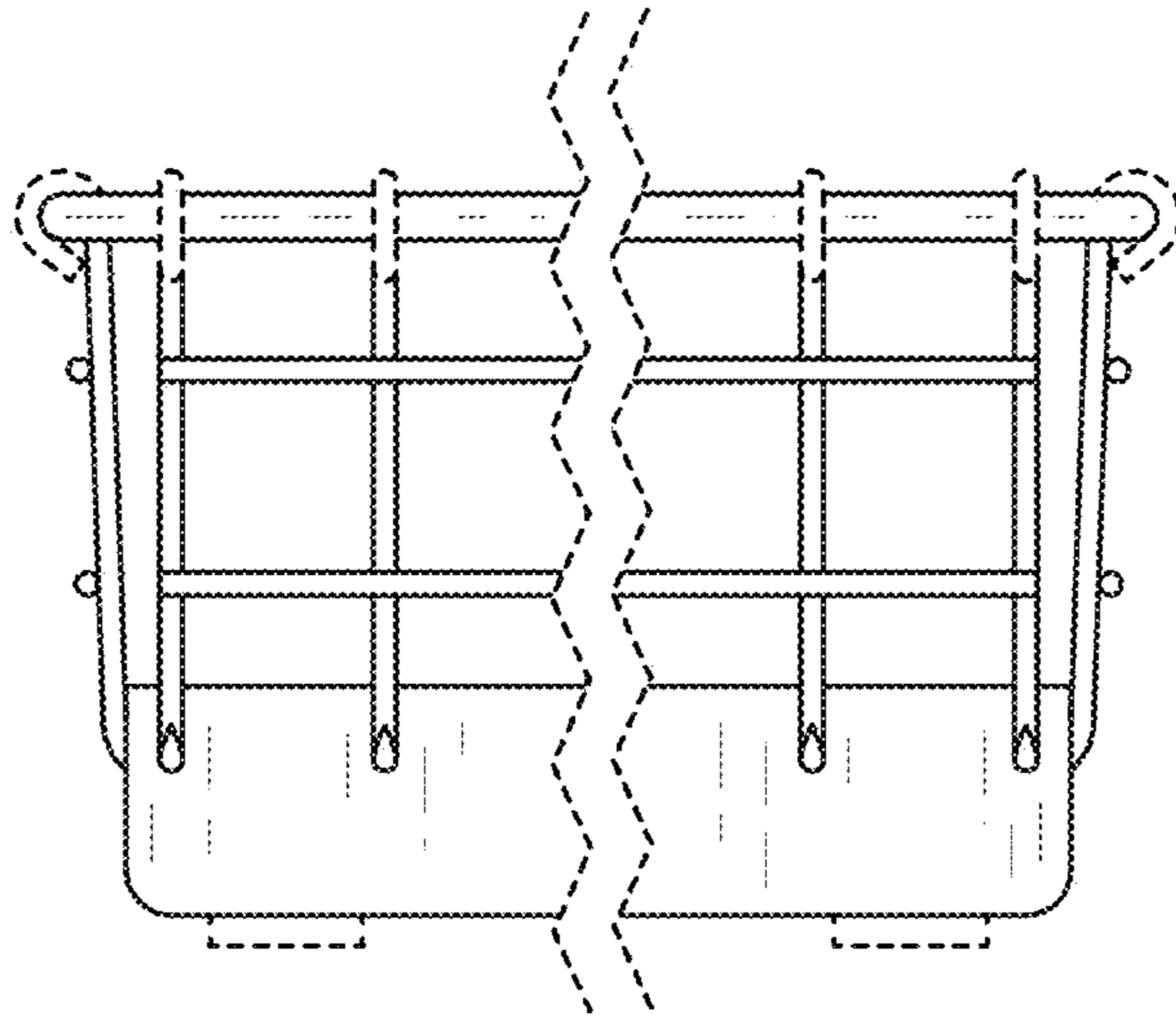


FIG. 2

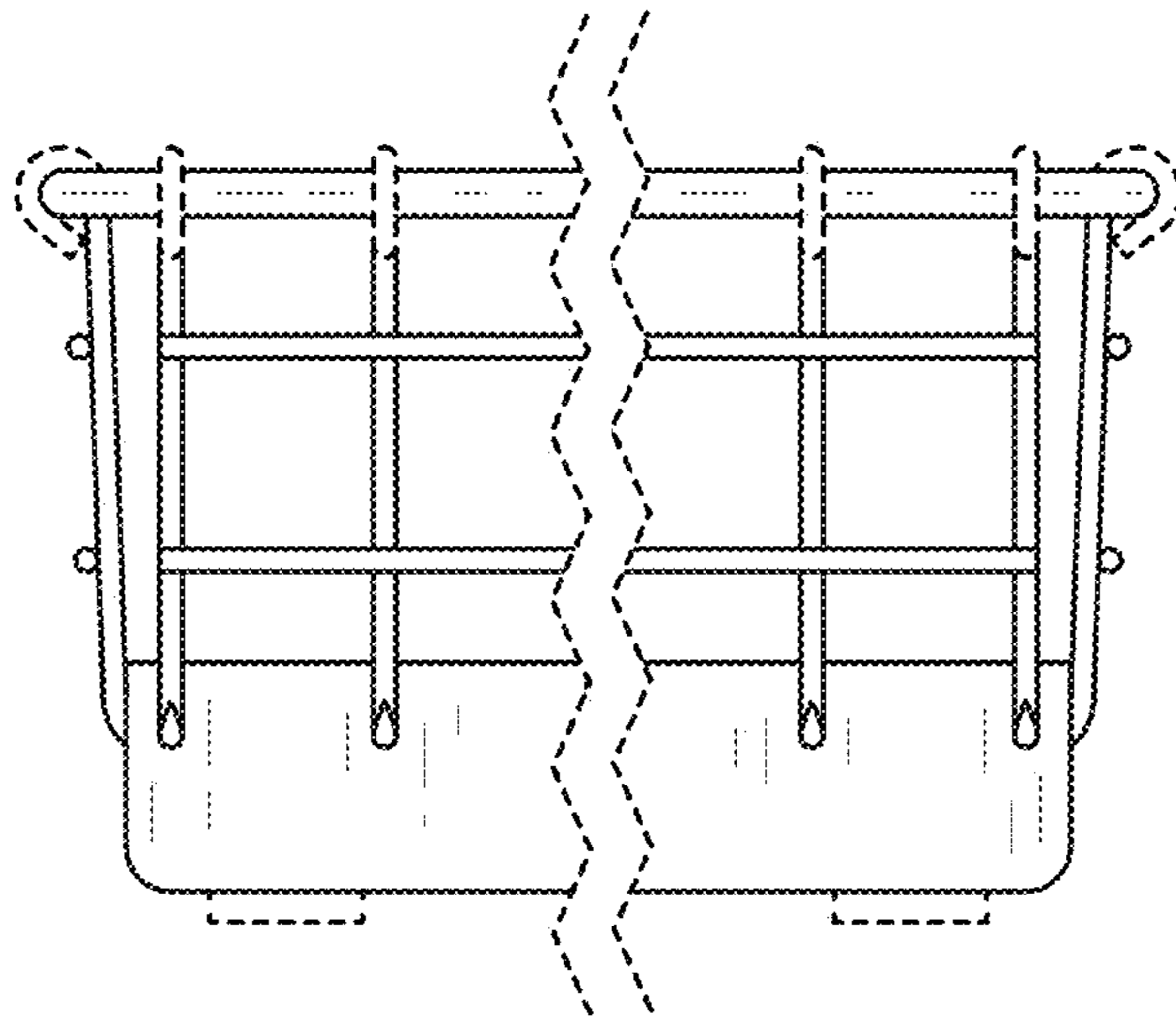


FIG. 3

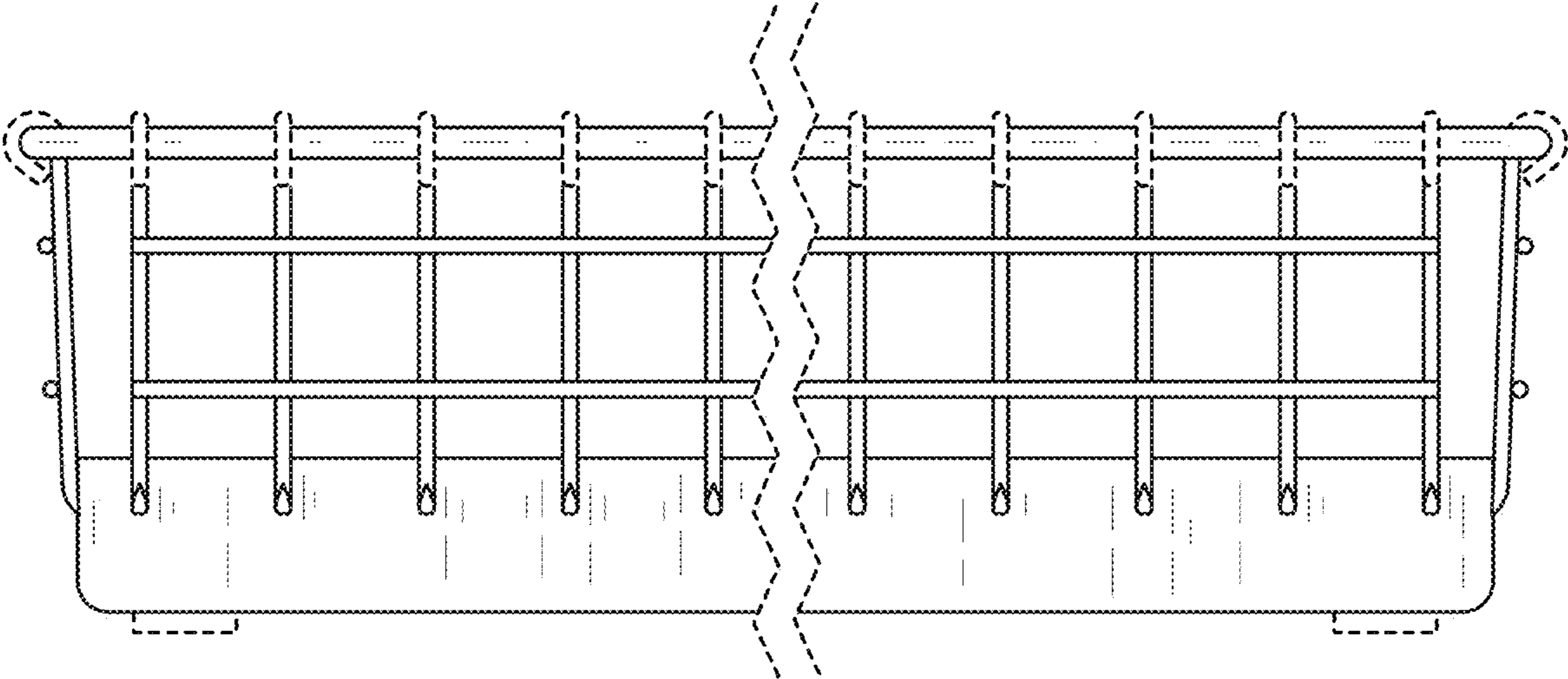


FIG. 4

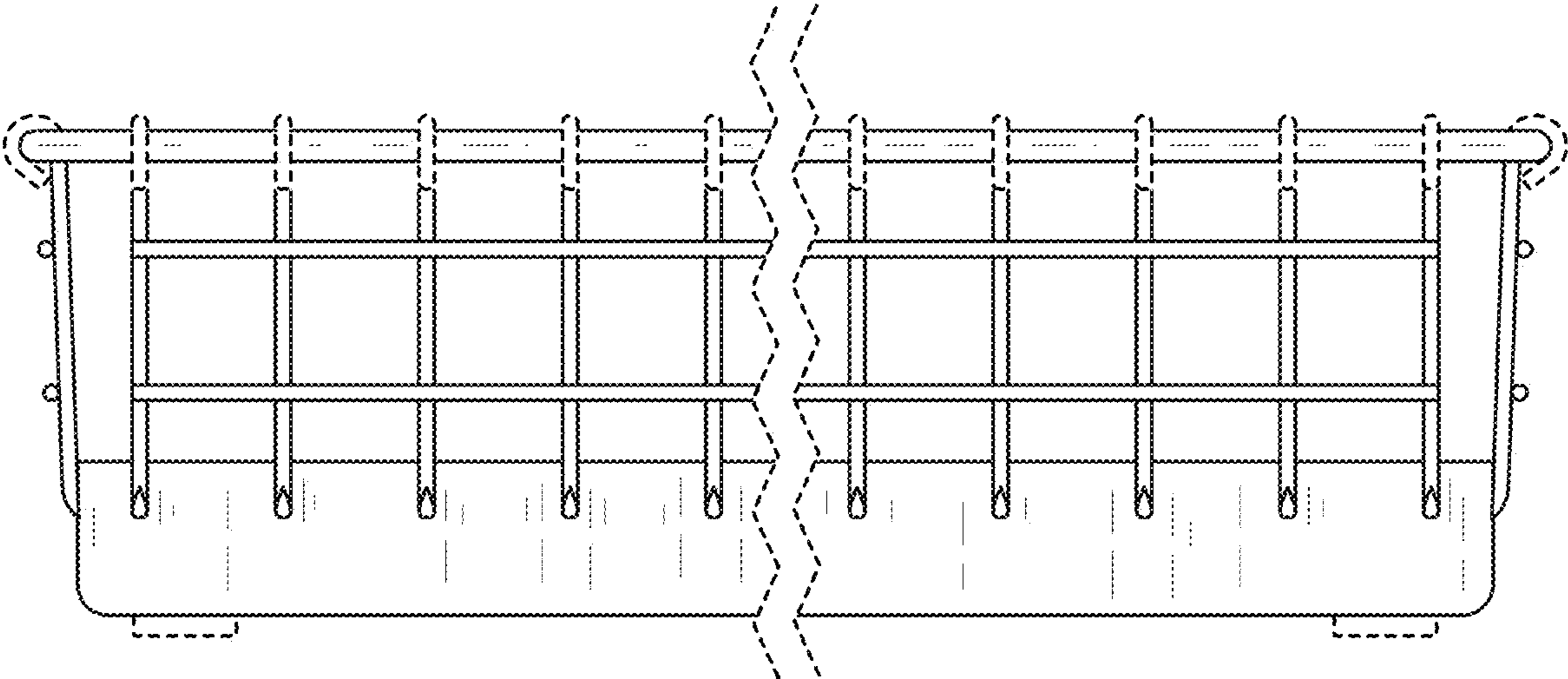


FIG. 5

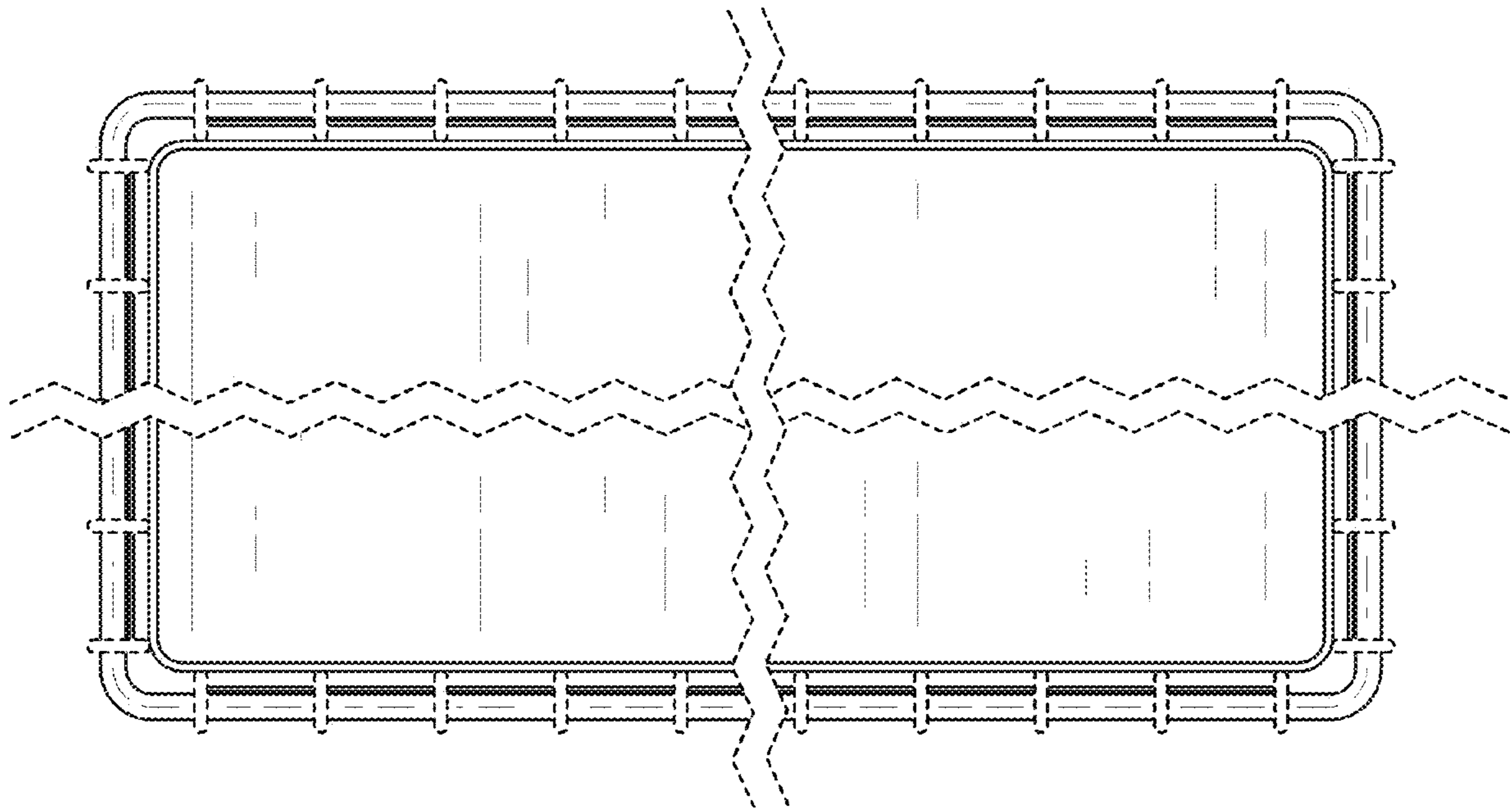


FIG. 6

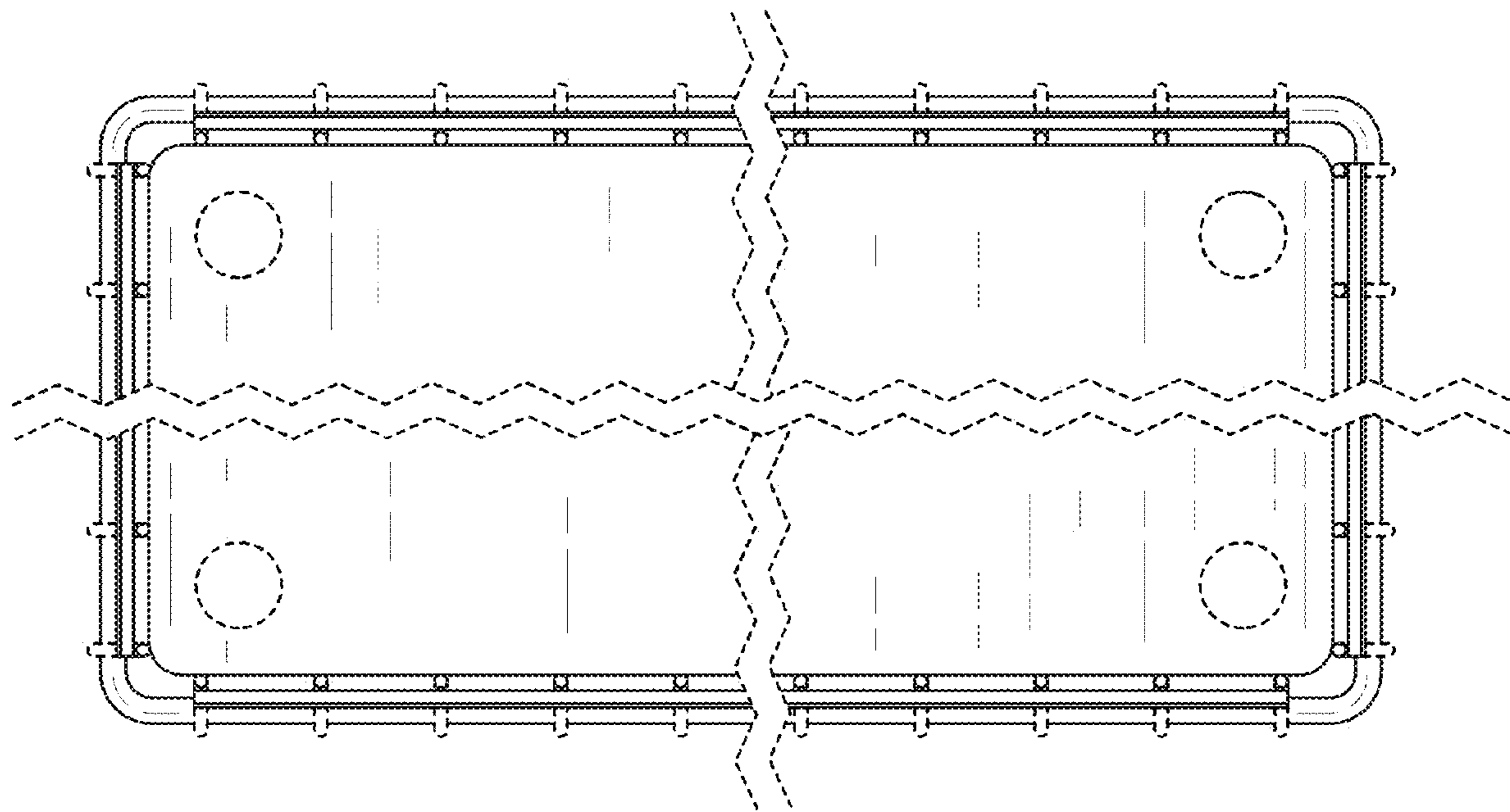


FIG. 7