



US00D894601S

(12) **United States Design Patent** (10) **Patent No.:** **US D894,601 S**
Haynes (45) **Date of Patent:** **** Sep. 1, 2020**

(54) **CARRY CASE**

(71) Applicant: **Helius Medical, Inc**, Newtown, PA (US)
(72) Inventor: **Adam Jefferson Haynes**, Cambridge (GB)
(73) Assignee: **Helius Medical, Inc**, Newtown, PA (US)

(**) Term: **15 Years**

(21) Appl. No.: **29/681,990**

(22) Filed: **Feb. 28, 2019**

(51) **LOC (12) Cl.** **03-01**

(52) **U.S. Cl.**
USPC **D3/294; D3/289**

(58) **Field of Classification Search**
USPC D3/201, 203.1, 203.2, 273, 274, 284, D3/285, 291, 289, 302, 276, 294, 295, D3/298, 318, 901, 902, 903, 270
CPC ... A45C 5/00; A45C 2011/001; A45C 13/002; A45C 5/08; A45C 11/00; H04R 1/1025; H04R 1/1033
See application file for complete search history.

(56) **References Cited**

U.S. PATENT DOCUMENTS

D358,935 S *	6/1995	Chang	D3/276
D418,287 S *	1/2000	Moor	D3/201
D427,764 S *	7/2000	Conway	D3/203.5
D468,532 S *	1/2003	Hassett	D3/285
D471,052 S *	3/2003	Nieves	D6/407
D495,488 S *	9/2004	Singh	D3/282
D514,863 S *	2/2006	Fair	D6/407
D544,207 S *	6/2007	Lindars	D3/269
D779,202 S *	2/2017	Xia	D3/289
D853,108 S *	7/2019	Zaihui	D3/218
2017/0104352 A1 *	4/2017	Stratton	H04R 1/1025

OTHER PUBLICATIONS

Amazon, "Bose A20 Headset Carrying Case", First on sale Nov. 17, 2011. (<https://www.amazon.com/Bose-A20-Headset-Carrying-Case/dp/B006981D6C>) (Year: 2011).*
Amazon, "Molded Case for David Clark Aviation Headsets Headphones, Black, Size No Size", First on sale Jun. 27, 2014. (<https://www.amazon.com/Aviation-Headsets-Headphones-Headset-Protector/dp/B00LCJIRB2/>) (Year: 2014).*

* cited by examiner

Primary Examiner — April Rivas

(74) *Attorney, Agent, or Firm* — Proskauer Rose LLP

(57) **CLAIM**

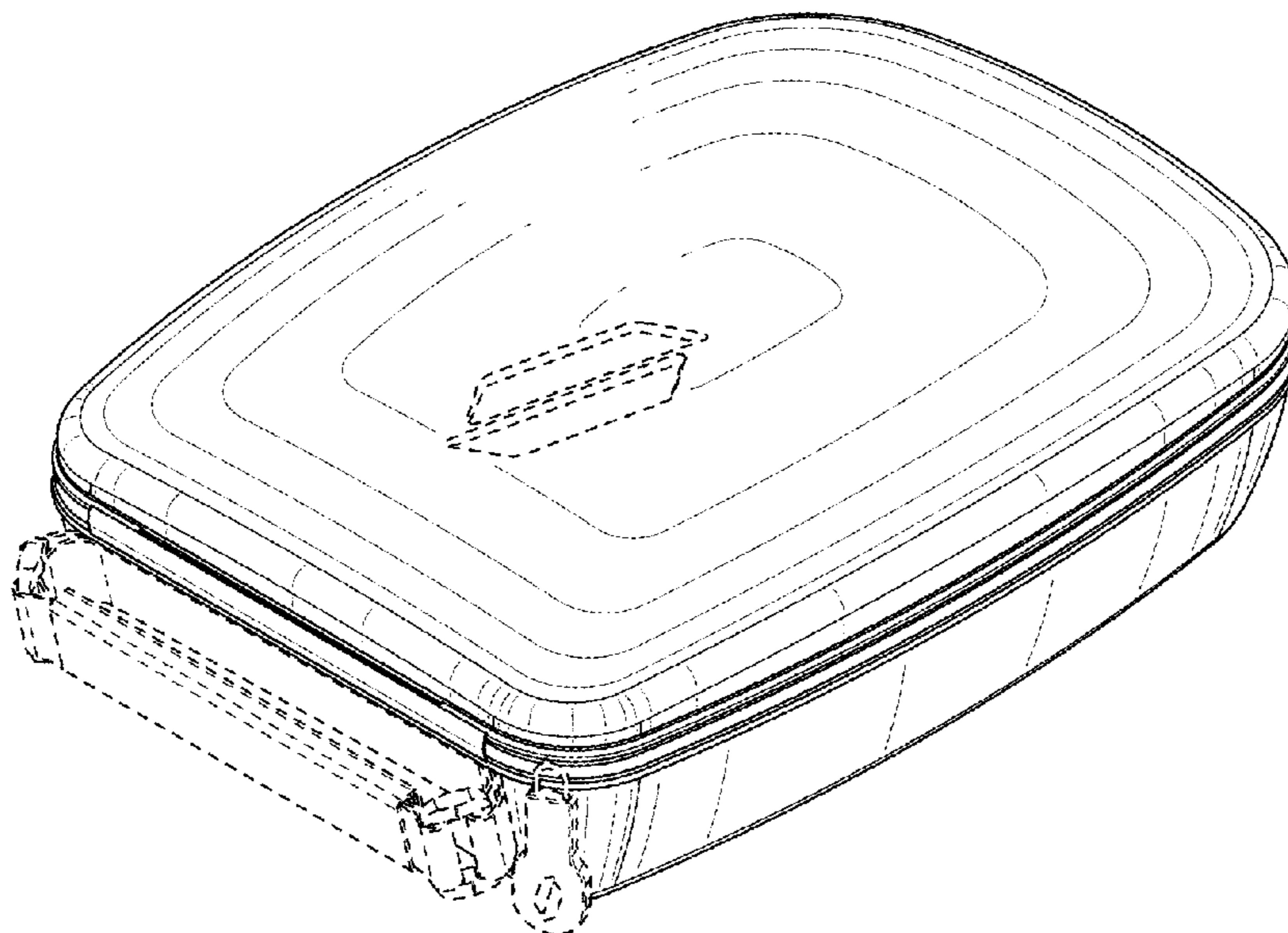
The ornamental design for a carry case, as shown and described.

DESCRIPTION

FIG. 1 is a front perspective view of a carry case in a closed position, showing my new design;
FIG. 2 is a top view thereof;
FIG. 3 is a bottom view thereof;
FIG. 4 is a right side view thereof;
FIG. 5 is left side view thereof;
FIG. 6 is a front view thereof;
FIG. 7 is a rear view thereof;
FIG. 8 is rear perspective view of the carry case in an open position;
FIG. 9 is a top view thereof;
FIG. 10 is a bottom view thereof;
FIG. 11 is a right side view thereof;
FIG. 12 is left side view thereof;
FIG. 13 is a front view thereof; and,
FIG. 14 is a rear view thereof.

The broken lines shown in the drawings represent unclaimed portions of the carry case and form no part of the claimed design.

1 Claim, 12 Drawing Sheets



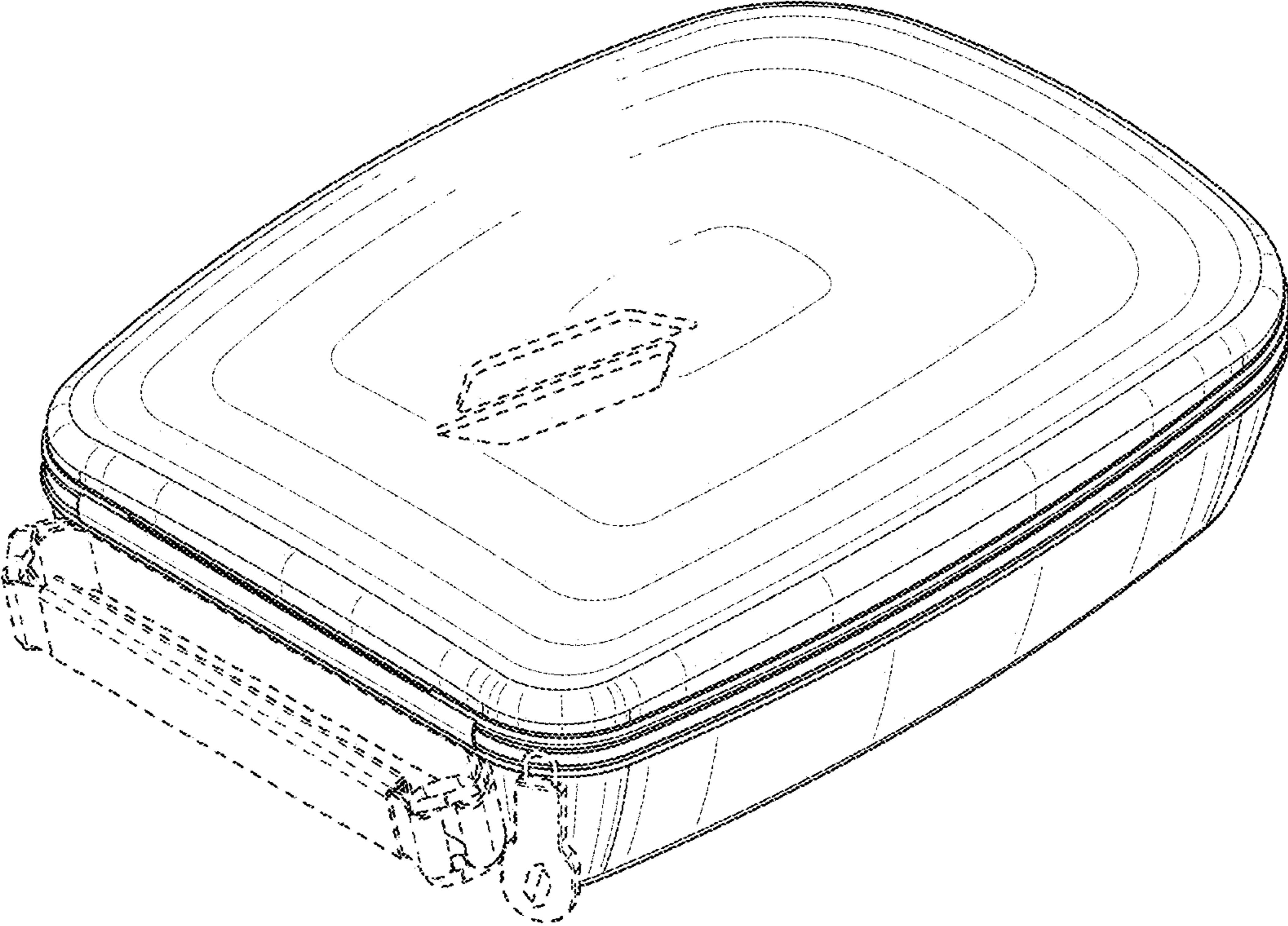


FIG. 1

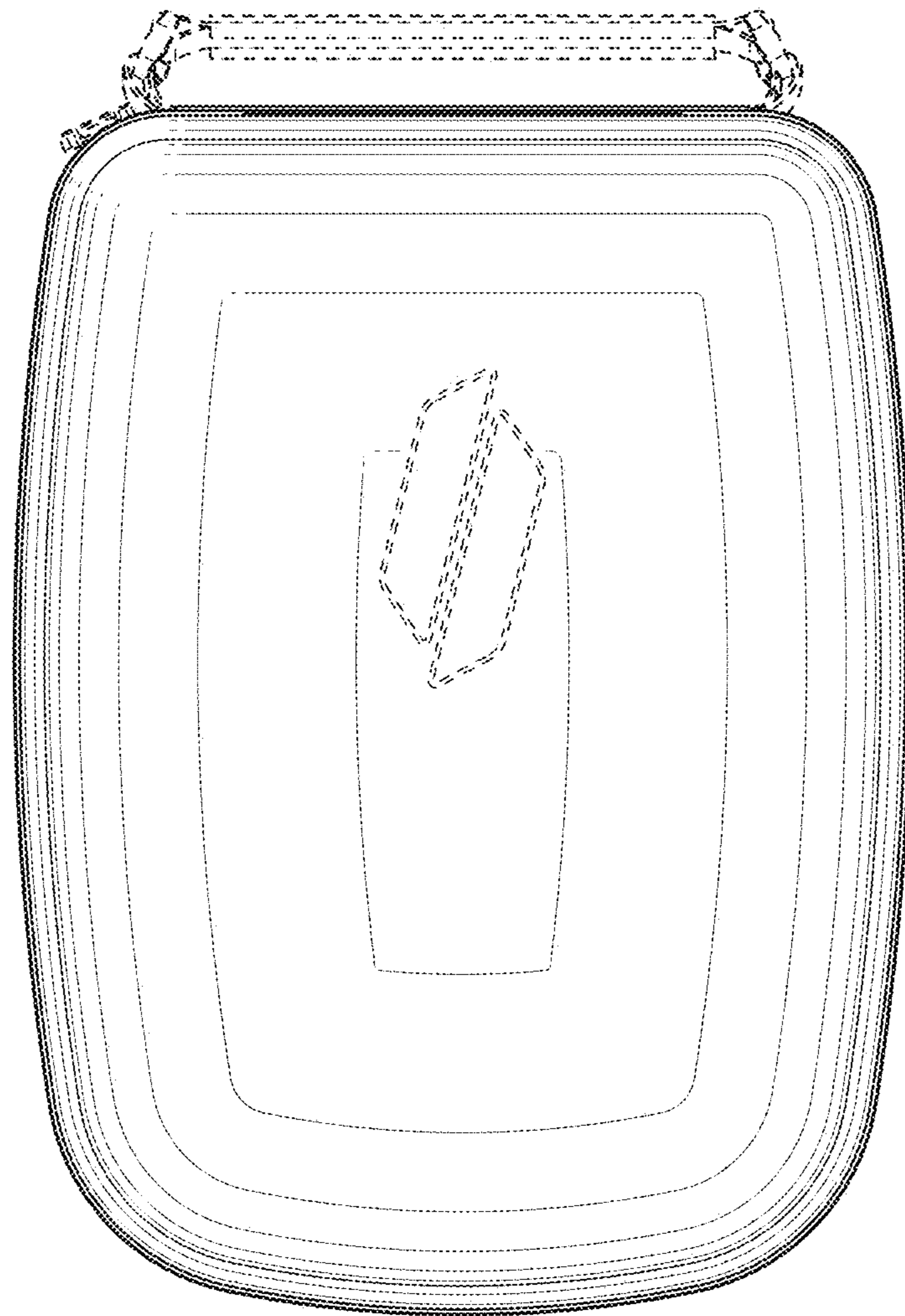


FIG. 2

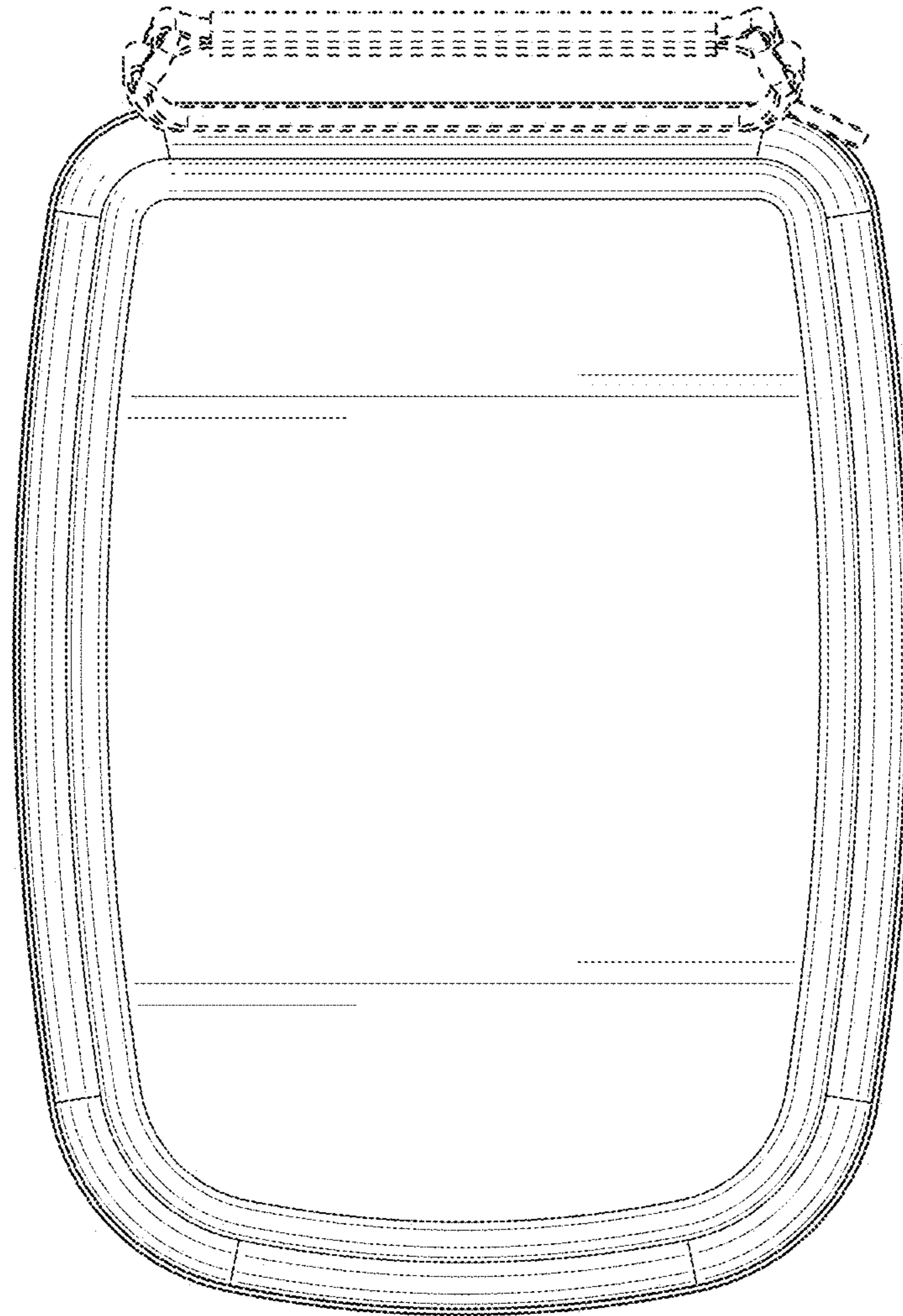


FIG. 3

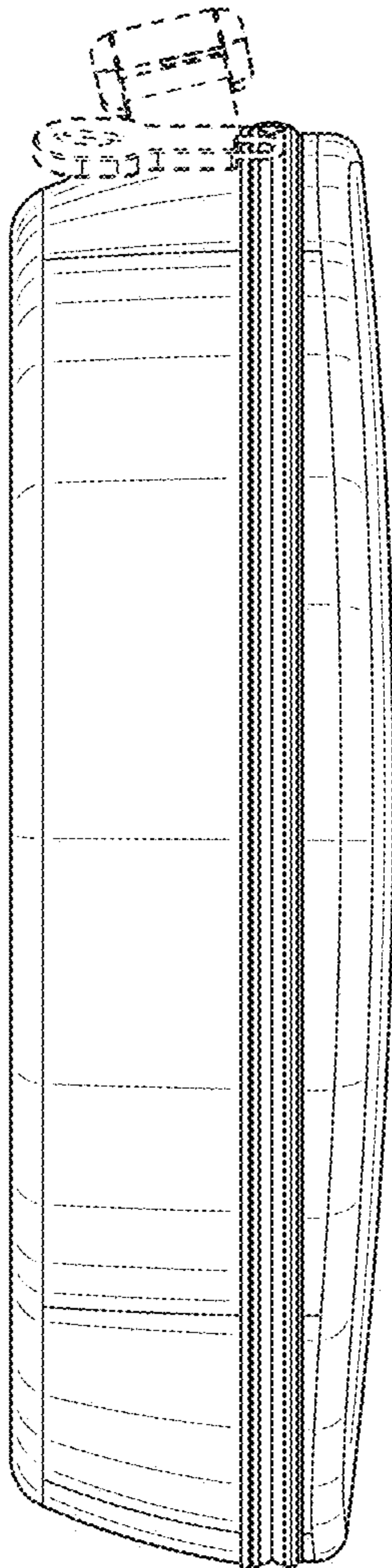


FIG. 4

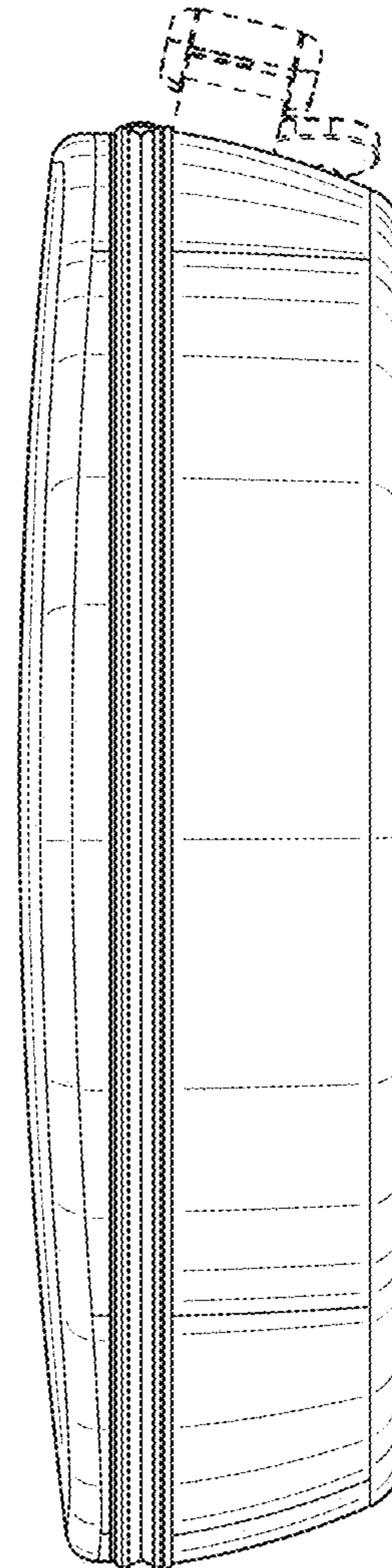


FIG. 5

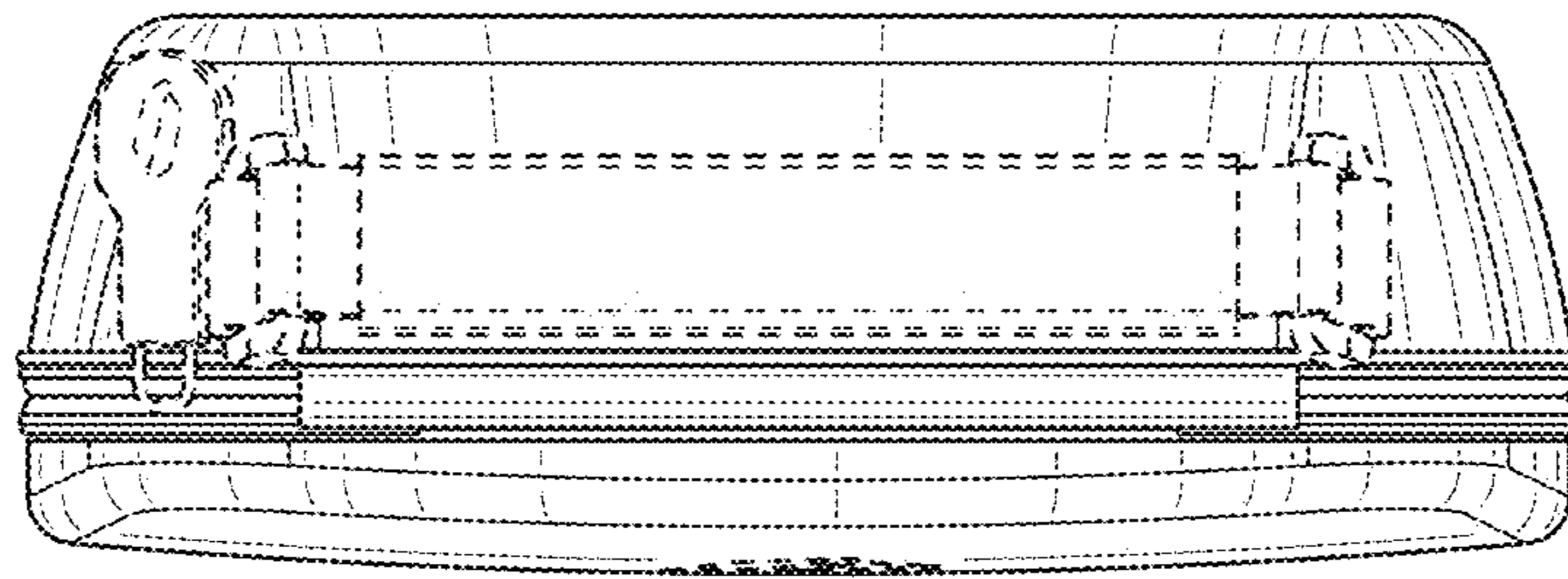


FIG. 6

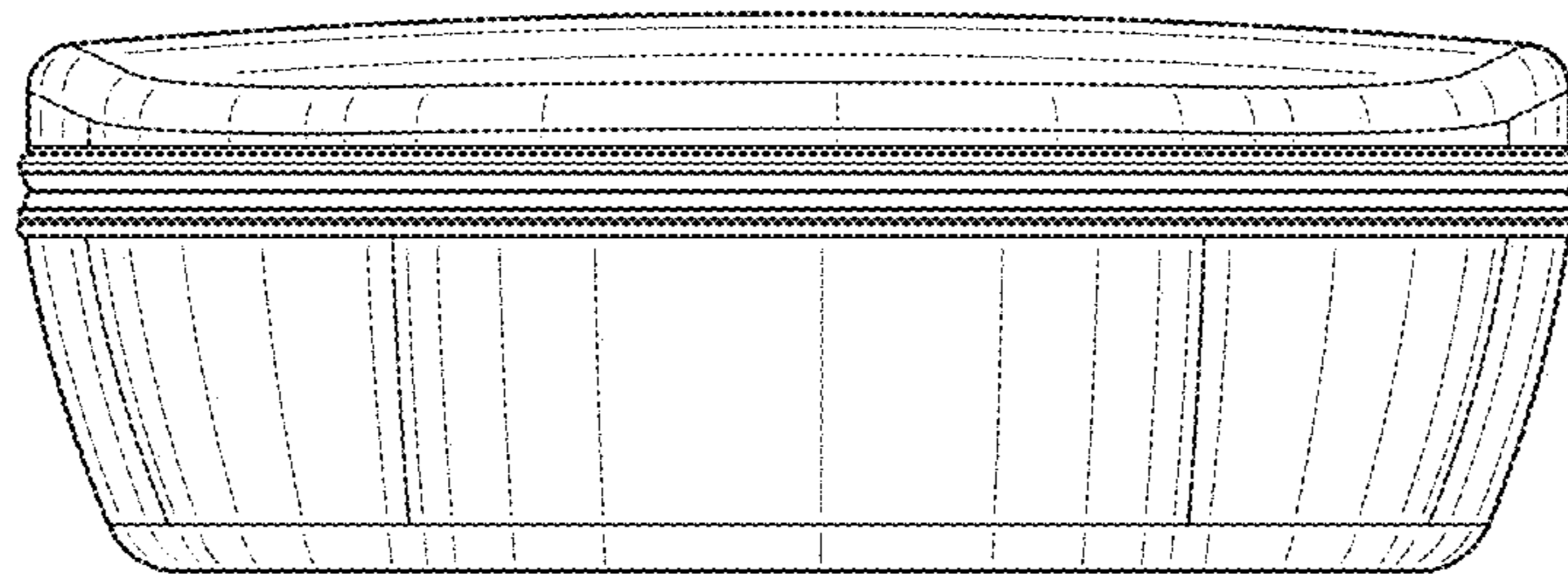


FIG. 7

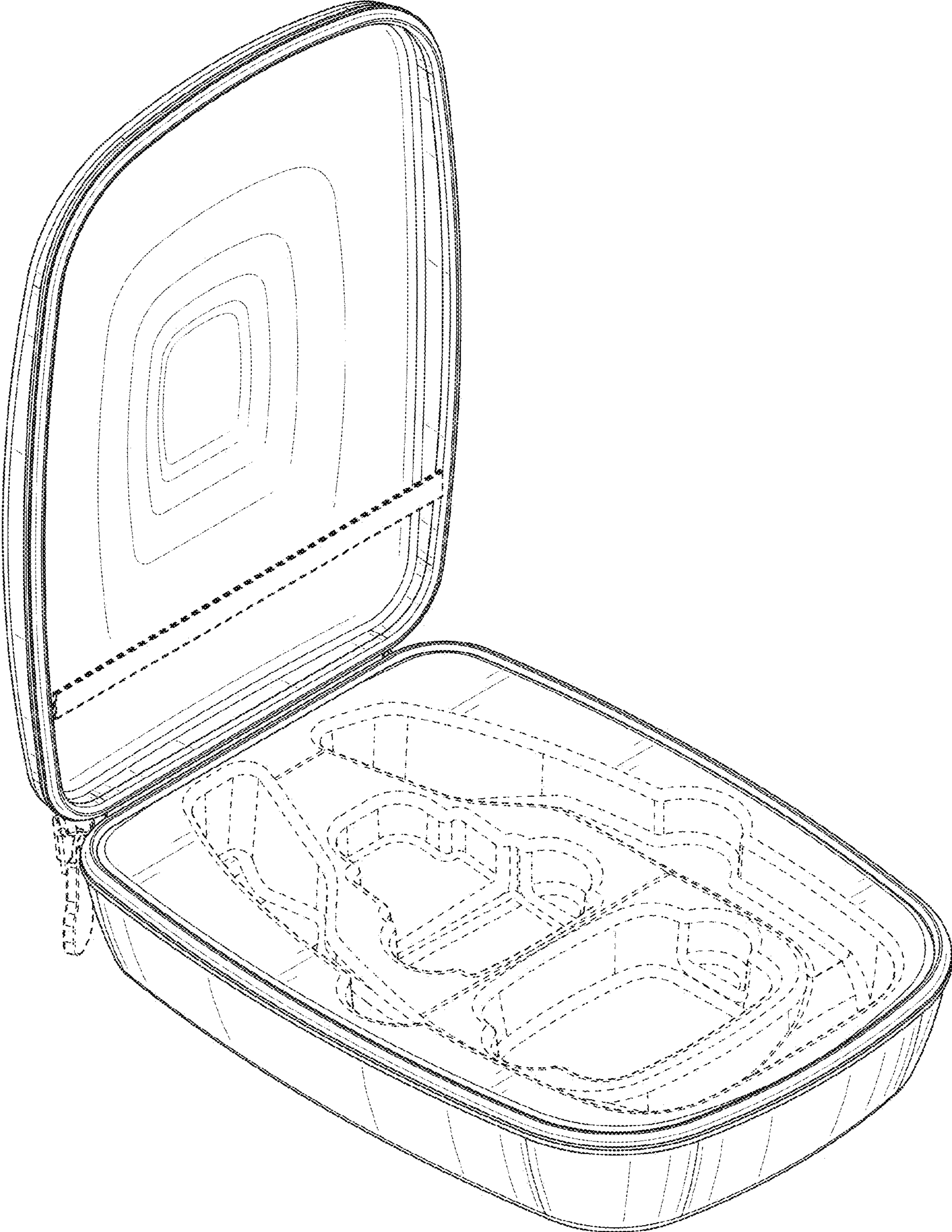


FIG. 8

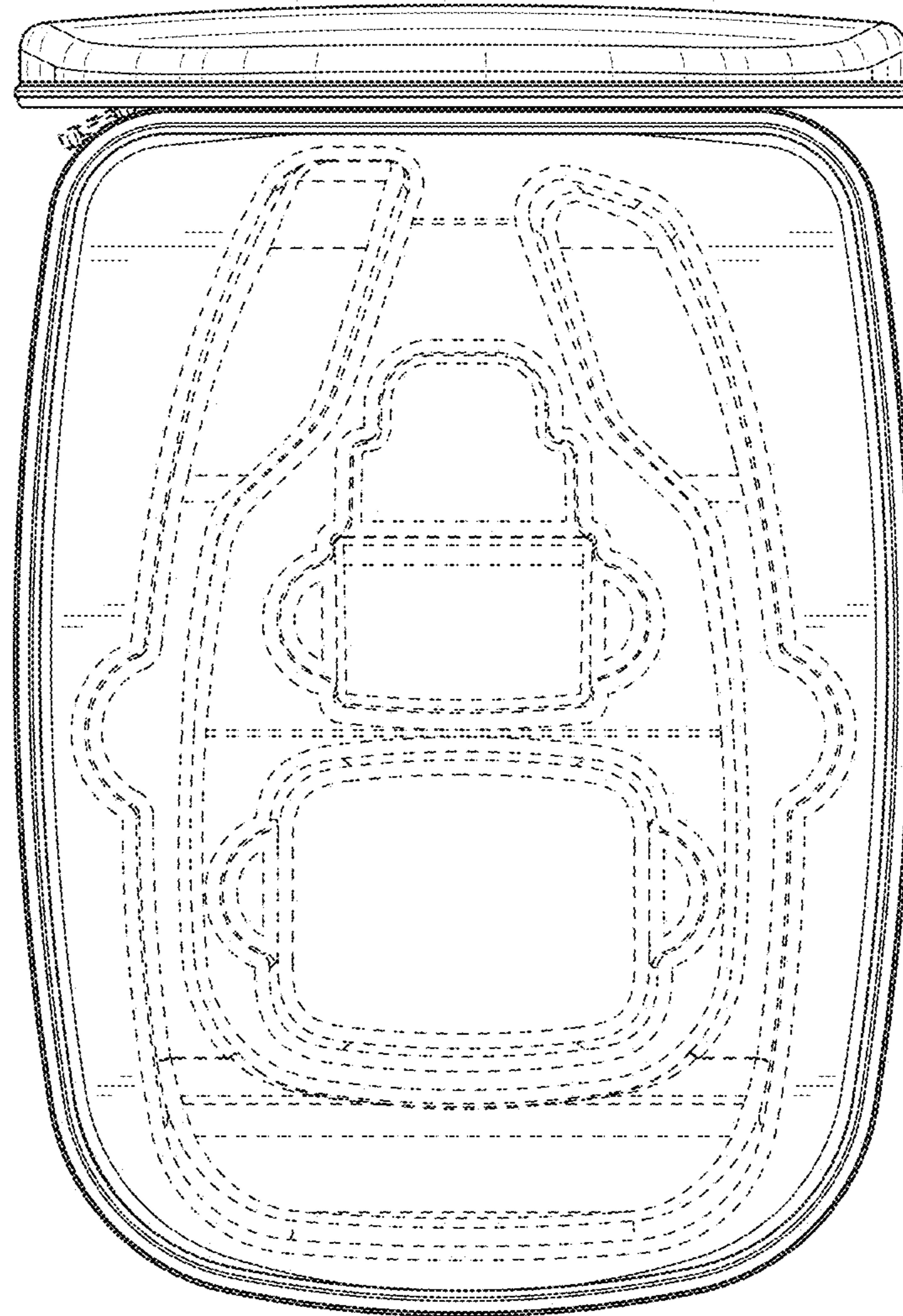


FIG. 9

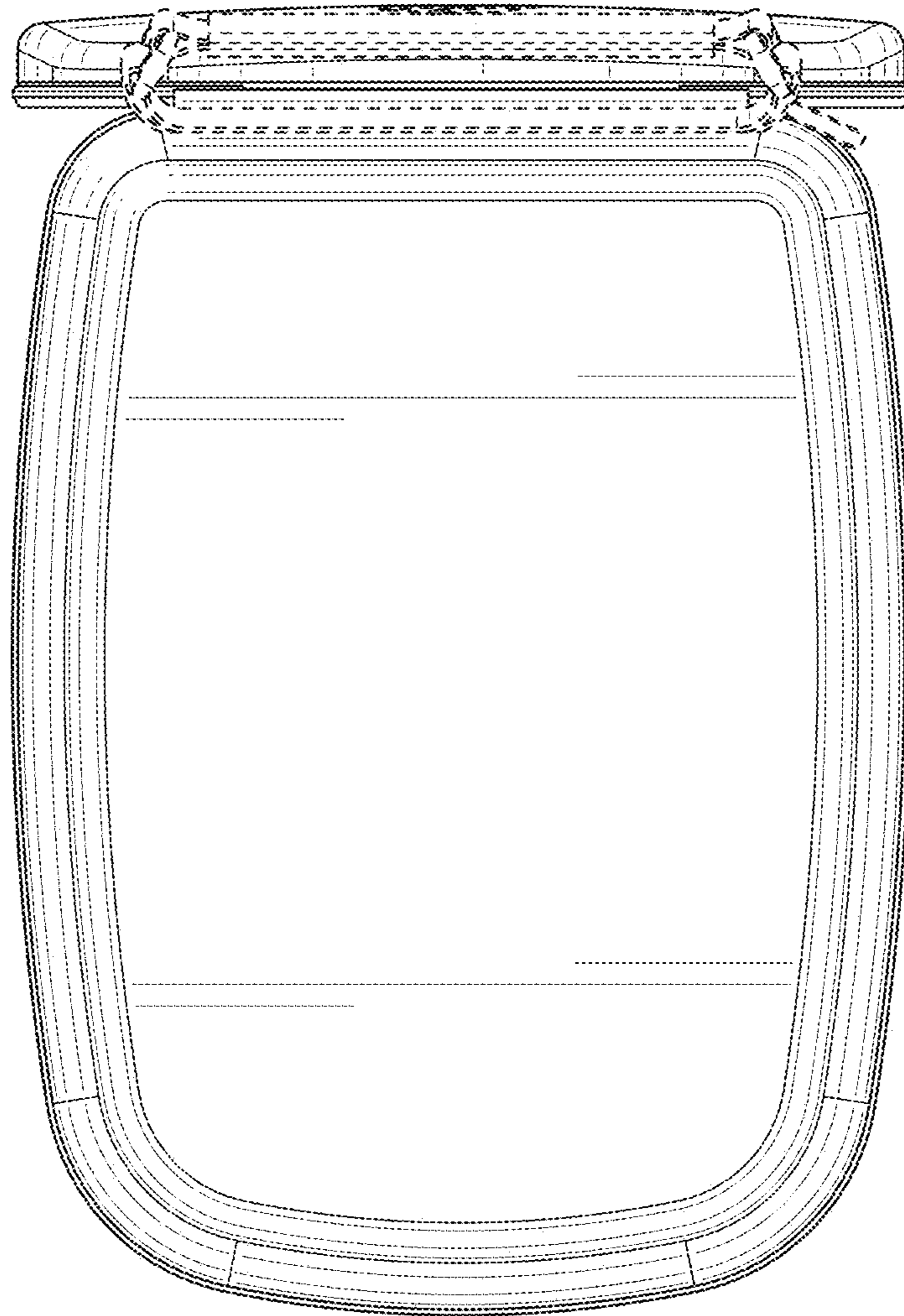


FIG. 10

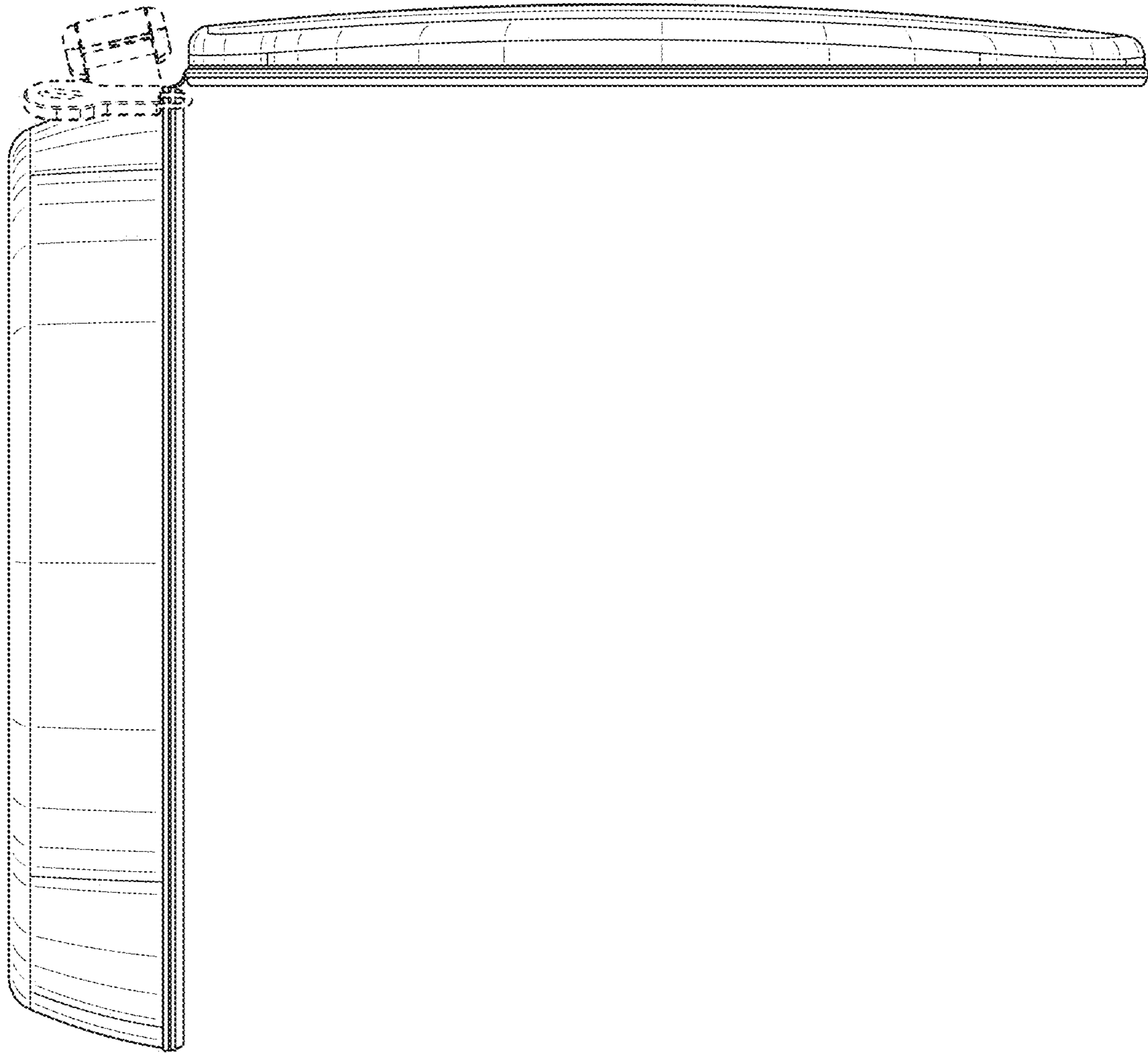


FIG. 11

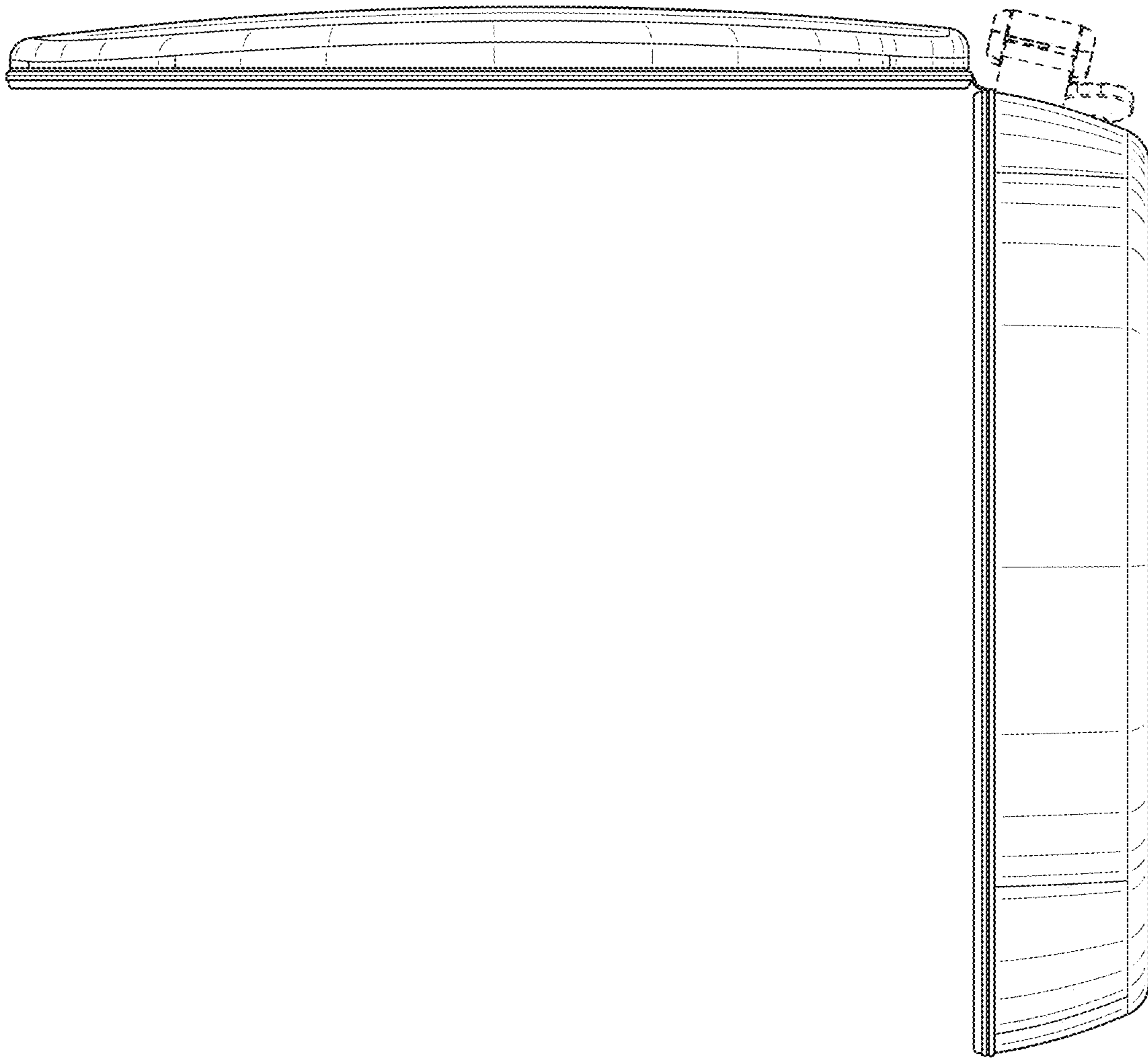


FIG. 12

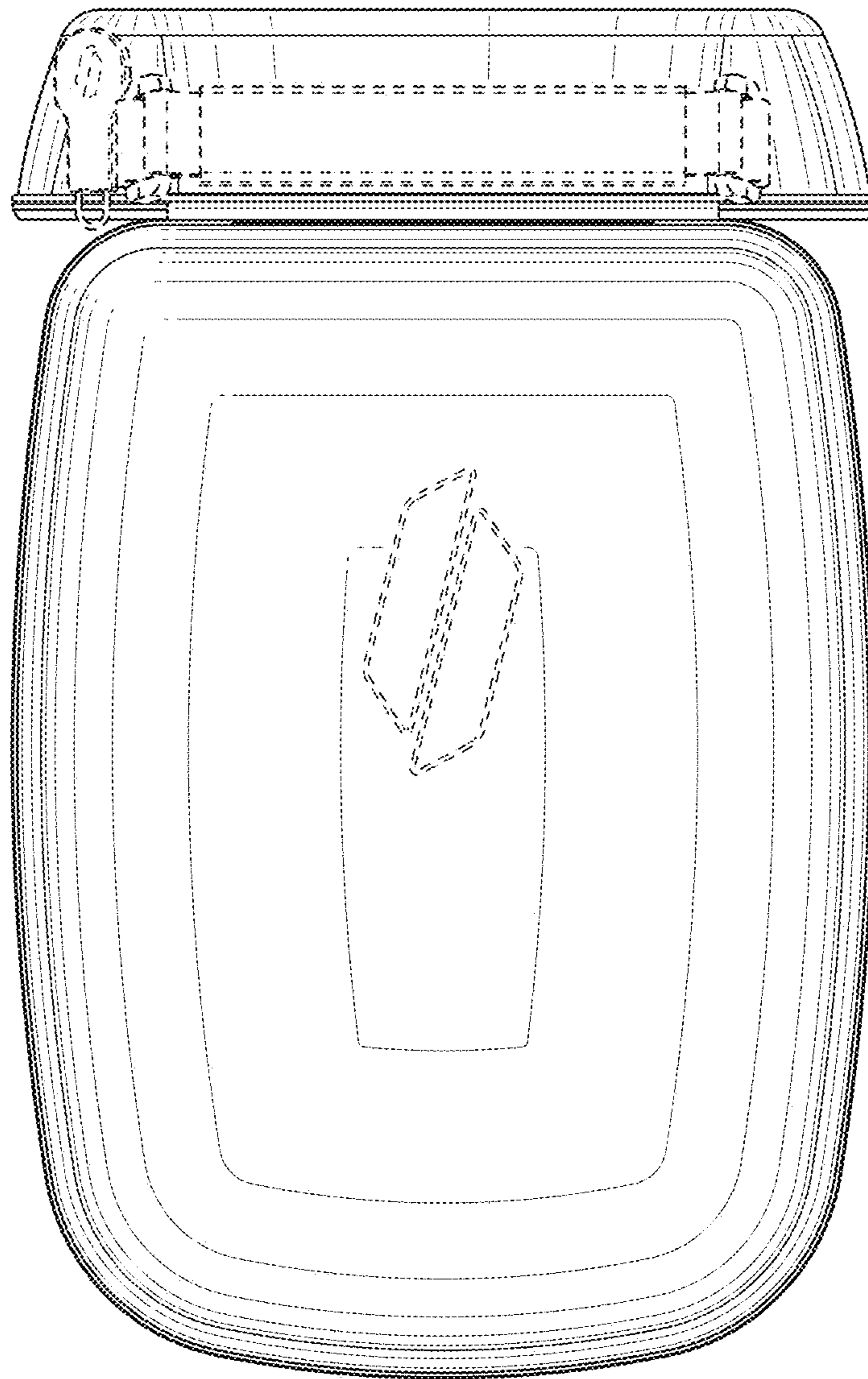


FIG. 13

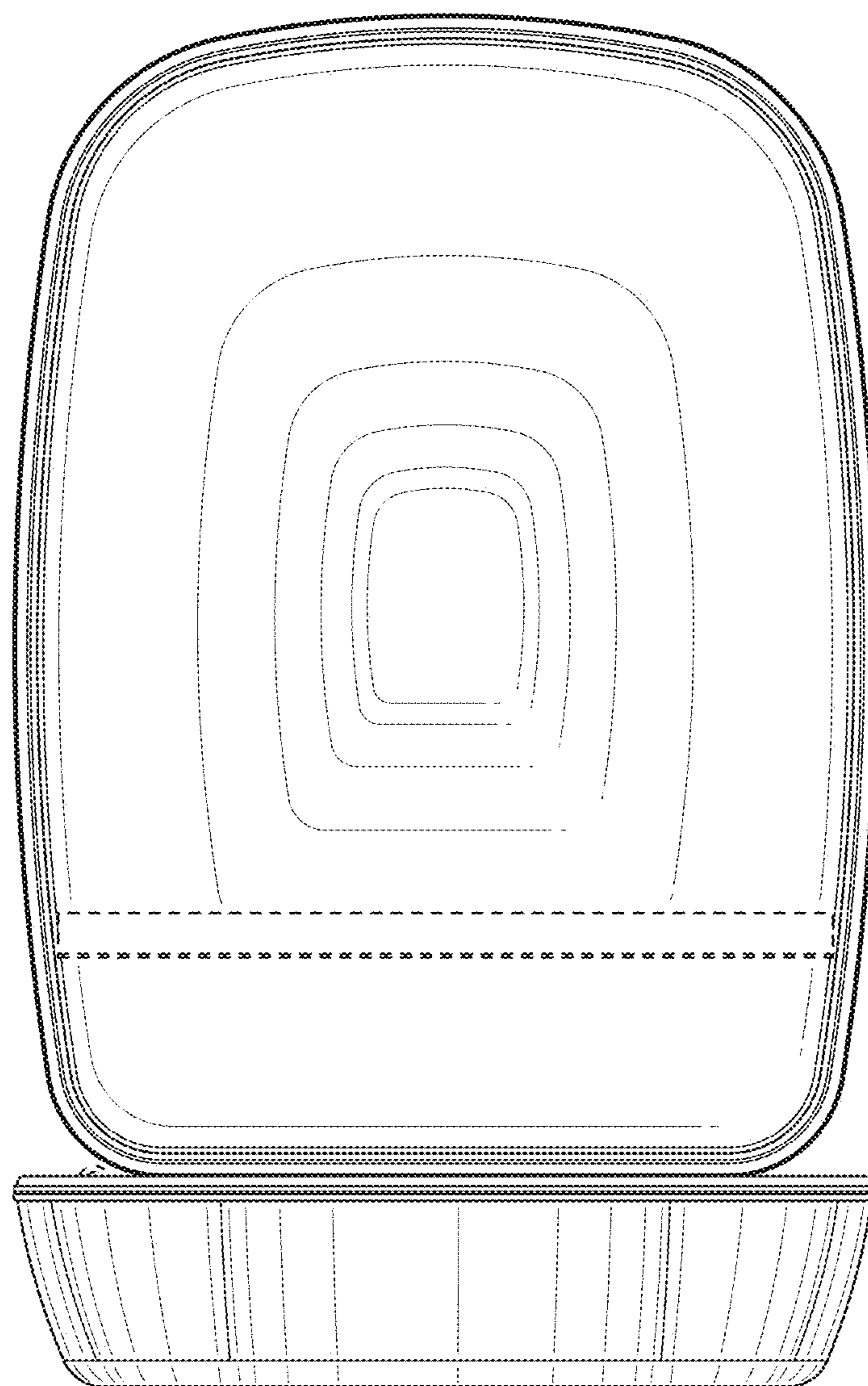


FIG. 14