



US00D894594S

(12) **United States Design Patent** (10) **Patent No.:** **US D894,594 S**  
**Donner et al.** (45) **Date of Patent:** **\*\* Sep. 1, 2020**

(54) **PLASTIC FOIL CARRIER BAG WITH PLASTIC FOIL HANDLE**

(71) Applicant: **METTLER PACKAGING LLC**, Raynham, MA (US)

(72) Inventors: **Georg Donner**, Morbach (DE); **Wolfgang Trossen**, Morbach (DE)

(73) Assignee: **METTLER PACKAGING LLC**, Raynham, MA (US)

(\*\*) Term: **15 Years**

(21) Appl. No.: **29/640,478**

(22) Filed: **Mar. 14, 2018**

(51) **LOC (12) Cl.** ..... **03-01**

(52) **U.S. Cl.**  
USPC ..... **D3/232**

(58) **Field of Classification Search**  
USPC ..... D3/232-233, 240-243, 245-246  
(Continued)

(56) **References Cited**

U.S. PATENT DOCUMENTS

D590,150 S \* 4/2009 Miller ..... D3/246

\* cited by examiner

*Primary Examiner* — Holly H Baynham

(74) *Attorney, Agent, or Firm* — Steven J. Grossman; Grossman, Tucker, Perreault & Pfleger PLLC

(57) **CLAIM**

The ornamental designs for a plastic foil carrier bag with plastic foil handle, as shown.

**DESCRIPTION**

FIG. 1 is an outer view of a front side of a first embodiment of the plastic foil carrier bag with plastic foil handle, the

outer view of a rear side of the first embodiment having a shape and appearance evident therefrom;

FIG. 2 is an enlarged, partial, front, upper portion thereof; FIG. 3 is an enlarged partial view of the inside portion thereof;

FIG. 4 is an outer view of the front side of a second embodiment thereof;

FIG. 5 is an enlarged, partial, front upper portion thereof; FIG. 6 is an enlarged partial view of the inside portion thereof;

FIG. 7 is an outer view of a front side of a seventh embodiment thereof, the outer view of a rear side of the seventh embodiment having a shape and appearance evident therefrom;

FIG. 8 is an outer view of a front side of an eighth embodiment thereof, the outer view of a rear side of the eighth embodiment having a shape and appearance evident therefrom;

FIG. 9 is an outer view of a front side of a ninth embodiment thereof, the outer view of a rear side of the ninth embodiment having a shape and appearance evident therefrom;

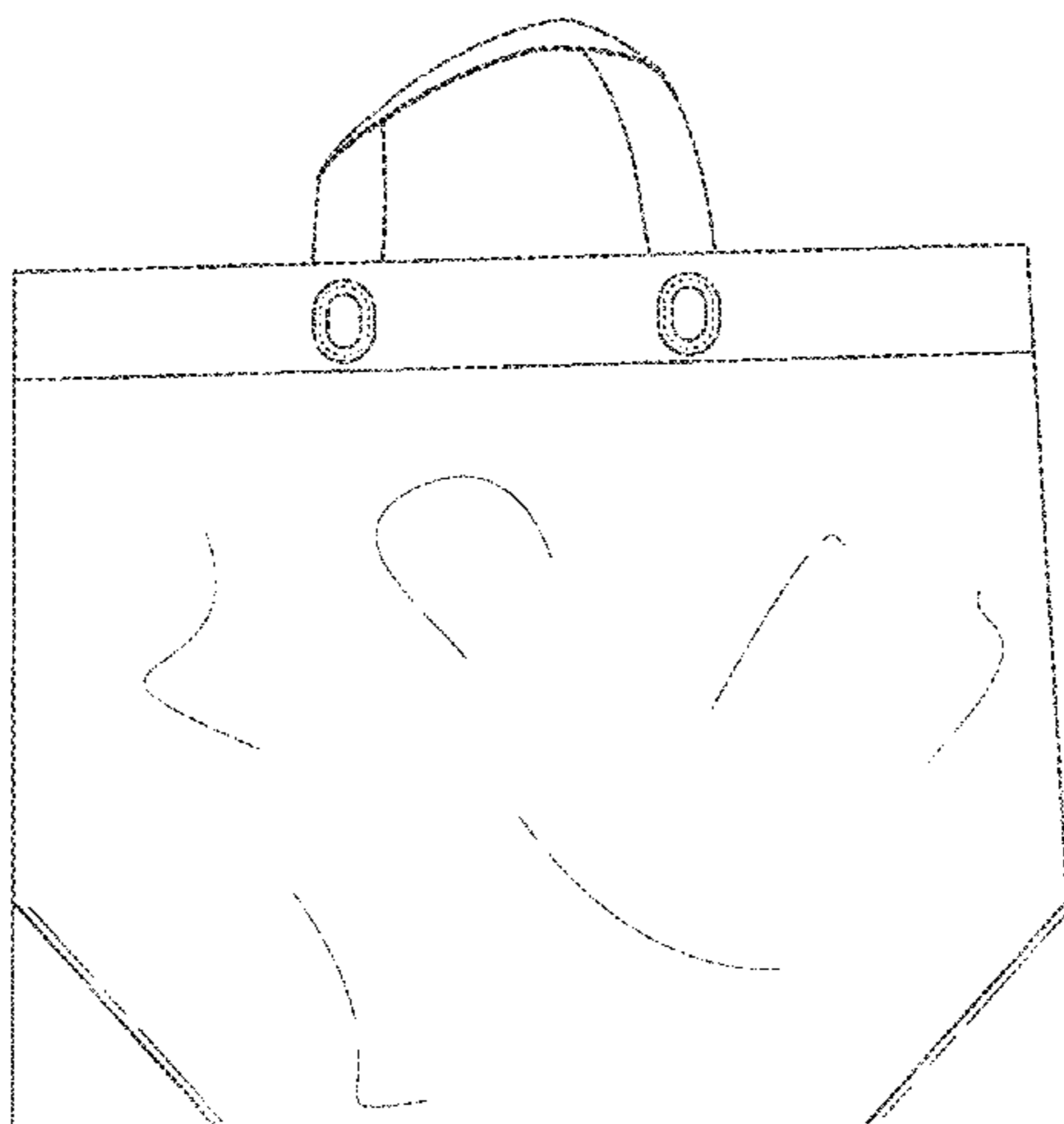
FIG. 10 is a close-up of an upper portion of the outer view of the front side of the seventh, eighth and ninth embodiments thereof, the close-up of the upper portion of the outer view of the rear side of the seventh, eighth and ninth embodiments having a shape and appearance evident therefrom, respectively;

FIG. 11 is a close-up of an upper portion of an inner view of the front side of the seventh, eighth and ninth embodiments thereof, the close-up of the upper portion of the inner view of the rear side of the seventh, eighth and ninth embodiments having a shape and appearance evident therefrom, respectively;

FIG. 12 is a close-up of an upper portion of the outer view of the front side of the first, second and third embodiments thereof, the close-up of the upper portion of the outer view of the rear side of the first, second and third embodiments having a shape and appearance evident therefrom, respectively;

FIG. 13 is a close-up of an upper portion of an inner view of the front side of the first, second and third embodiments thereof, the close-up of the upper portion of the inner view

(Continued)



of the rear side of the first, second and third embodiments having a shape and appearance evident therefrom, respectively;

FIG. 14 is a close-up of an upper portion of the outer view of the front side of the fourth, fifth and sixth embodiments thereof, the close-up of the upper portion of the outer view of the rear side of the fourth, fifth and sixth embodiments having a shape and appearance evident therefrom, respectively; and

FIG. 15 is a close-up of an upper portion of an inner view of the front side of the fourth, fifth and sixth embodiments thereof, the close-up of the upper portion of the inner view of the rear side of the fourth, fifth and sixth embodiments having a shape and appearance evident therefrom, respectively.

FIG. 16 is a front perspective view of a plastic foil carrier bag with plastic foil handle;

FIG. 17 is a rear perspective view thereof of FIG. 16; FIG. 18 is a left side view thereof of FIG. 16, the right-side view having a shape and appearance evident therefrom; FIG. 19 is a close-up end view thereof of FIG. 16, the other end view having a shape and appearance evident therefrom; FIG. 20 is a close-up front view thereof of FIG. 16; and, FIG. 21 is a close-up rear view thereof of FIG. 16.

The handle has been shown separately and the top portion of the bag is shown enlarged and fragmented for ease and clarity of illustration.

**1 Claim, 19 Drawing Sheets**

(58) **Field of Classification Search**

CPC ..... A45C 1/024; A45C 3/06  
See application file for complete search history.

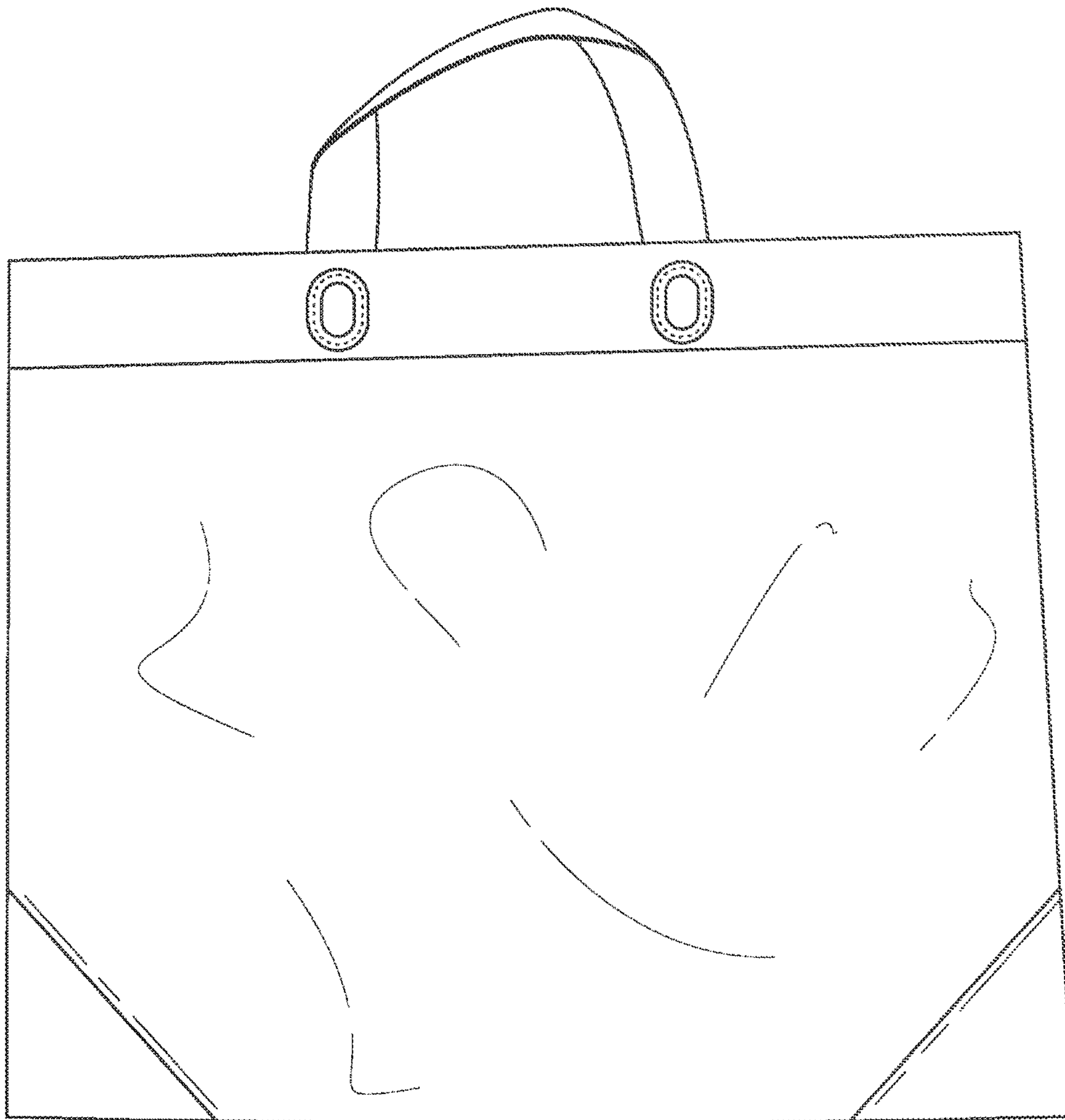


FIG. 1

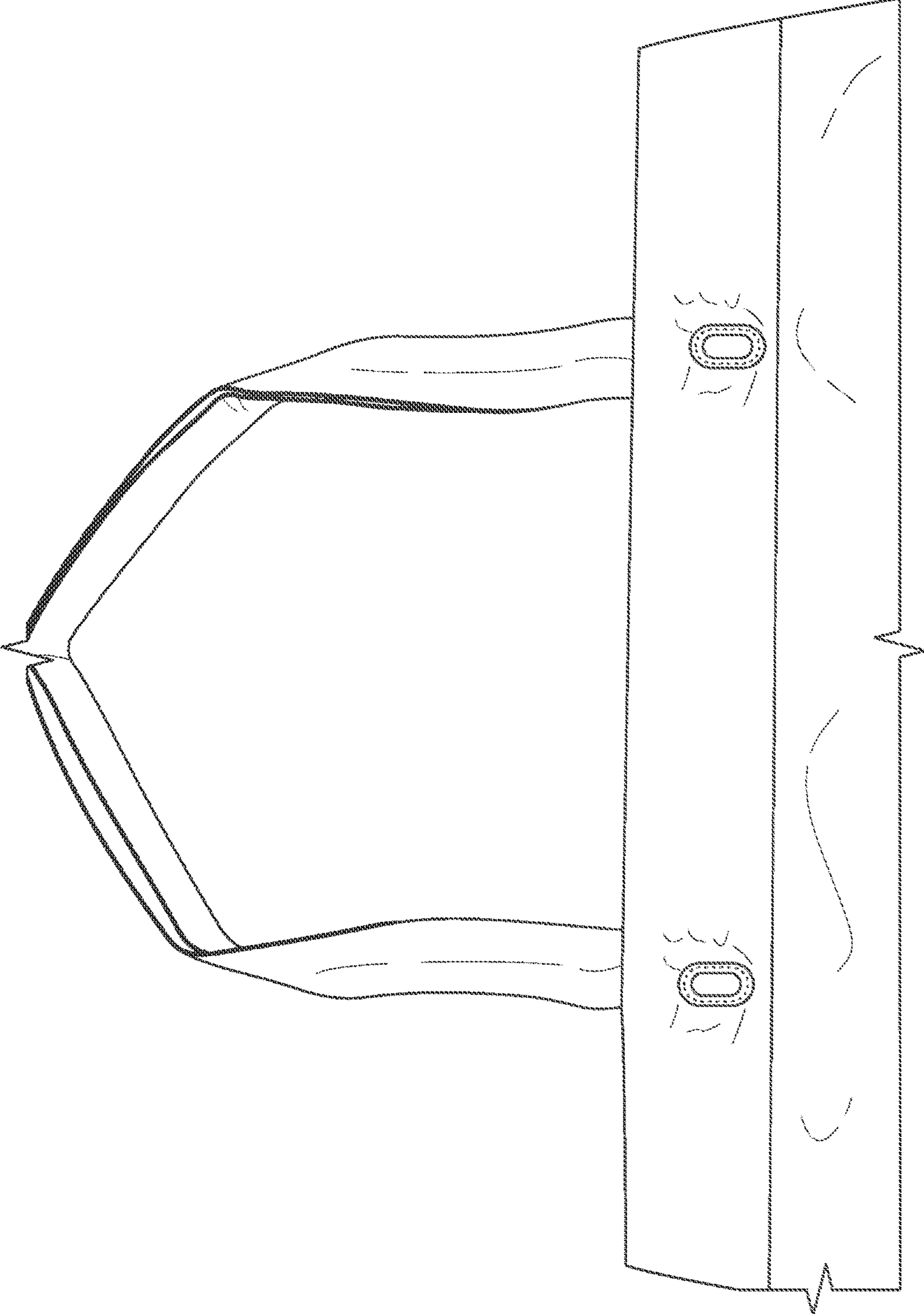


FIG. 2

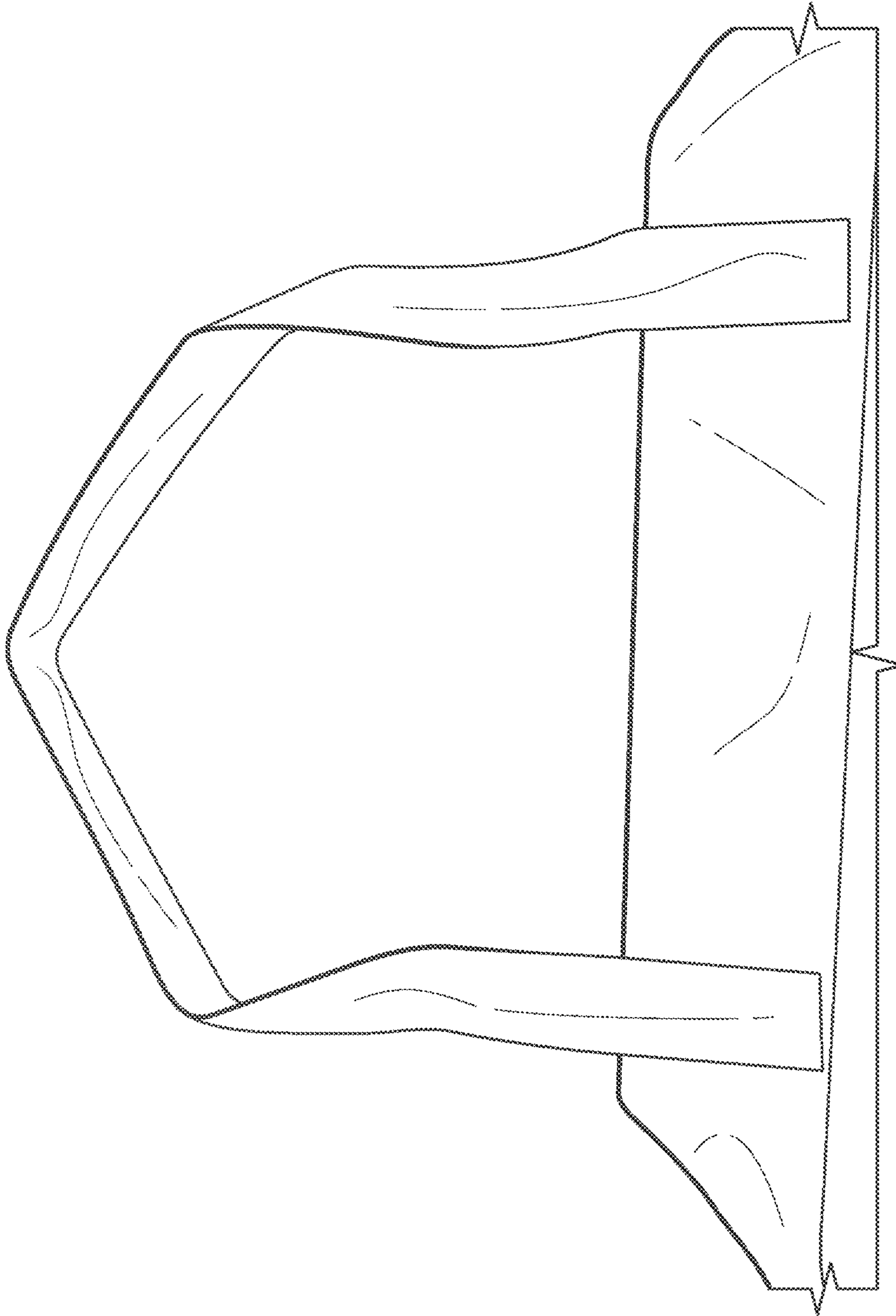


FIG. 3

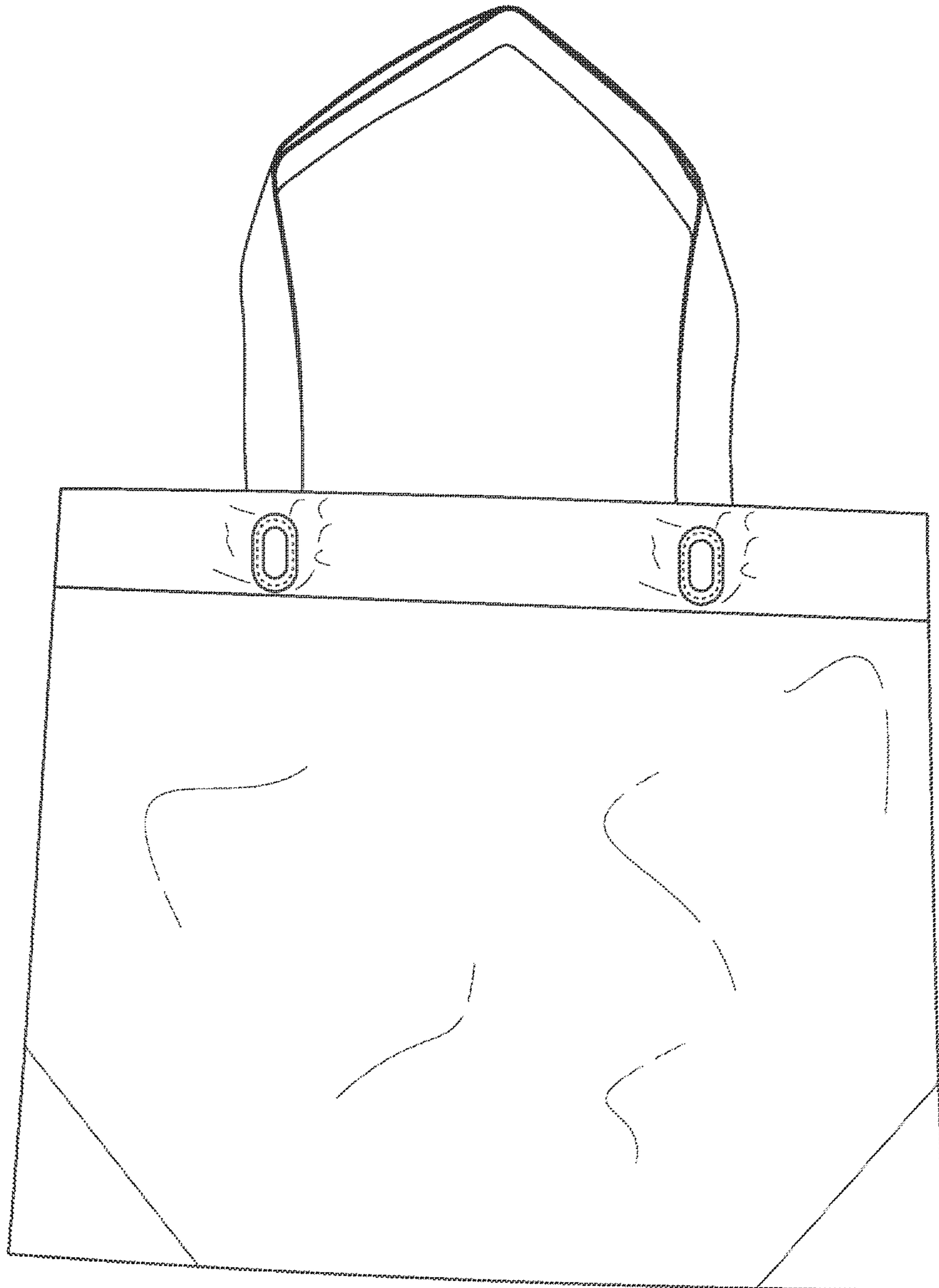


FIG. 4

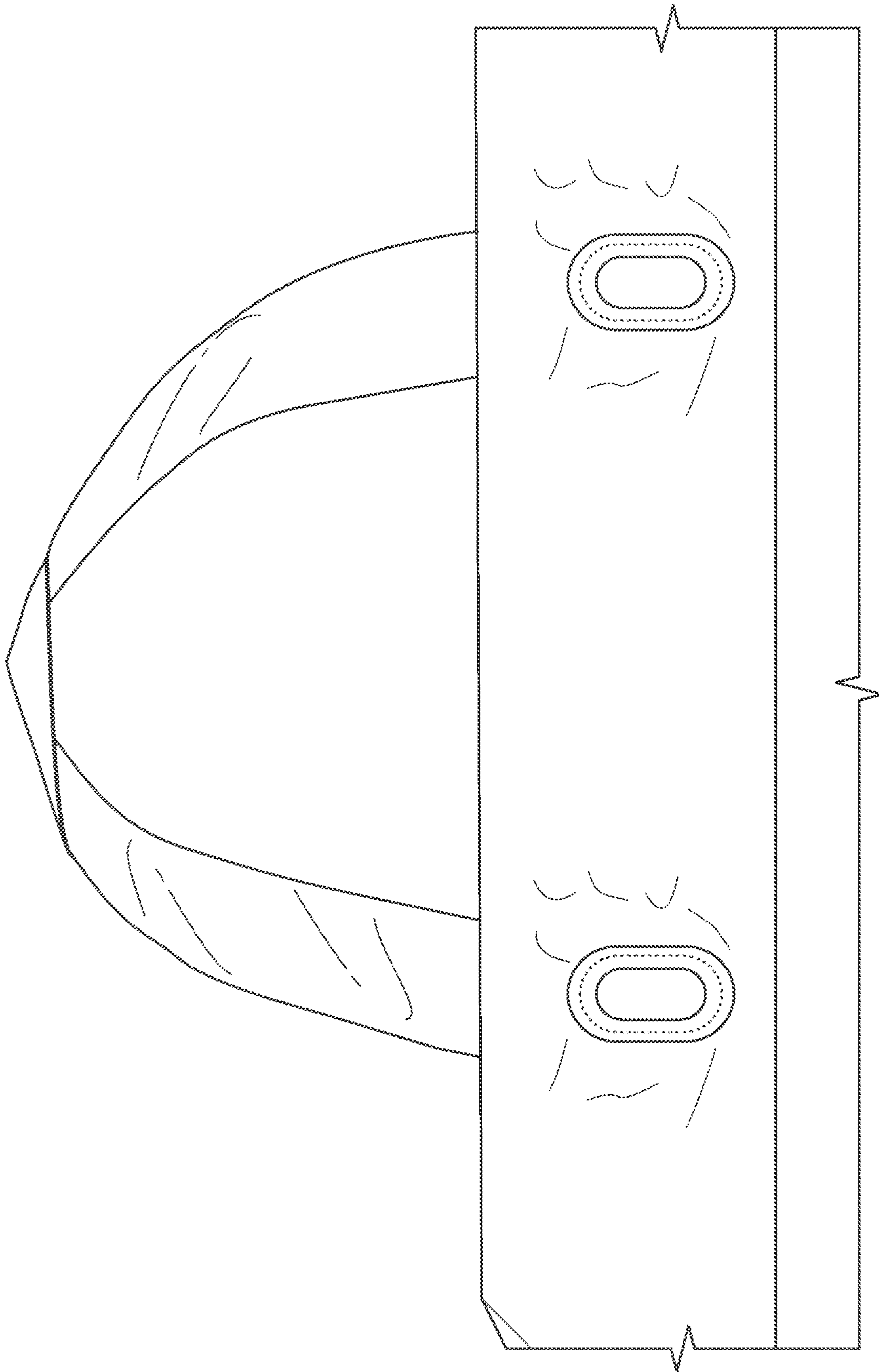


FIG. 5

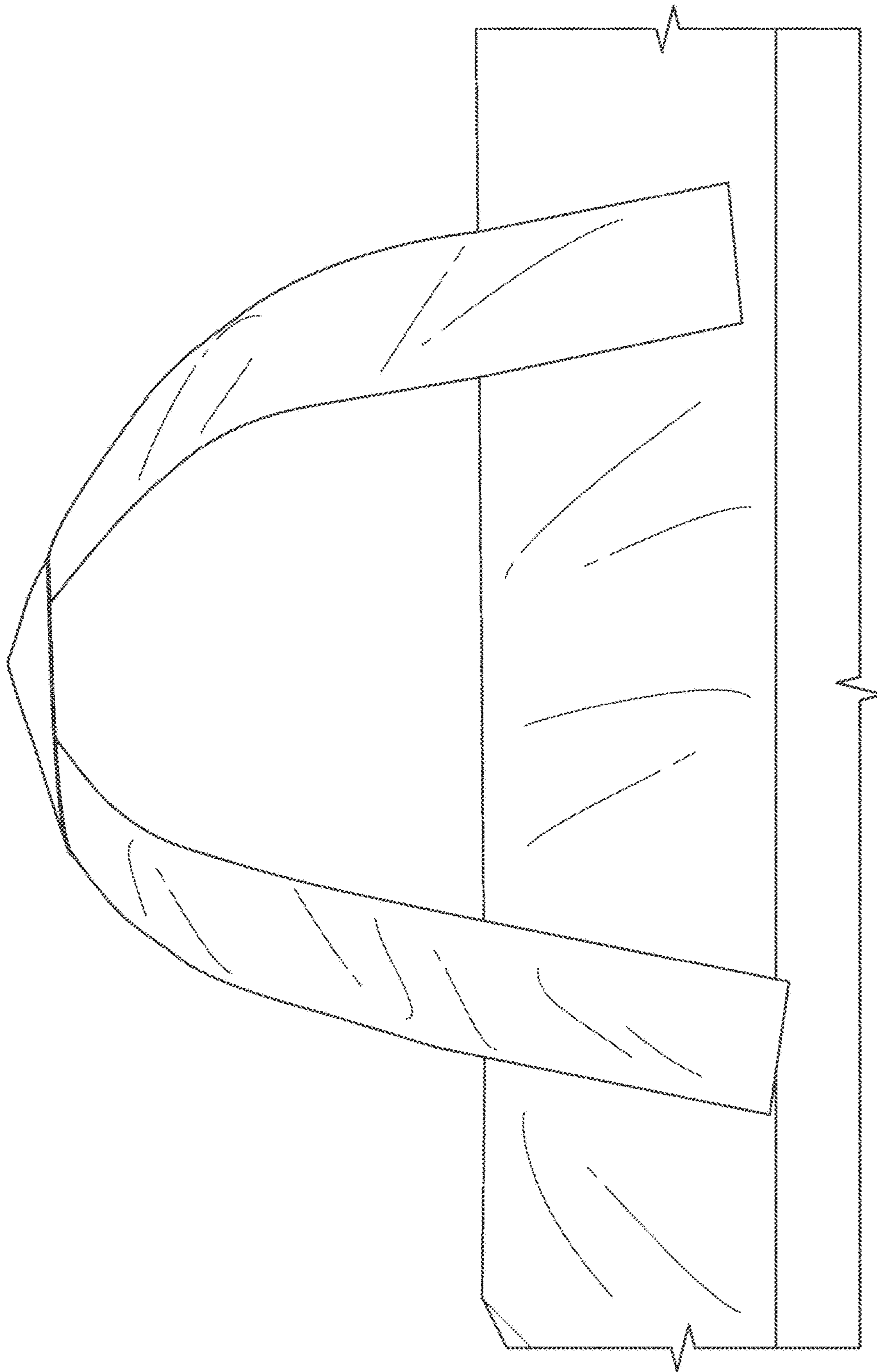


FIG. 6



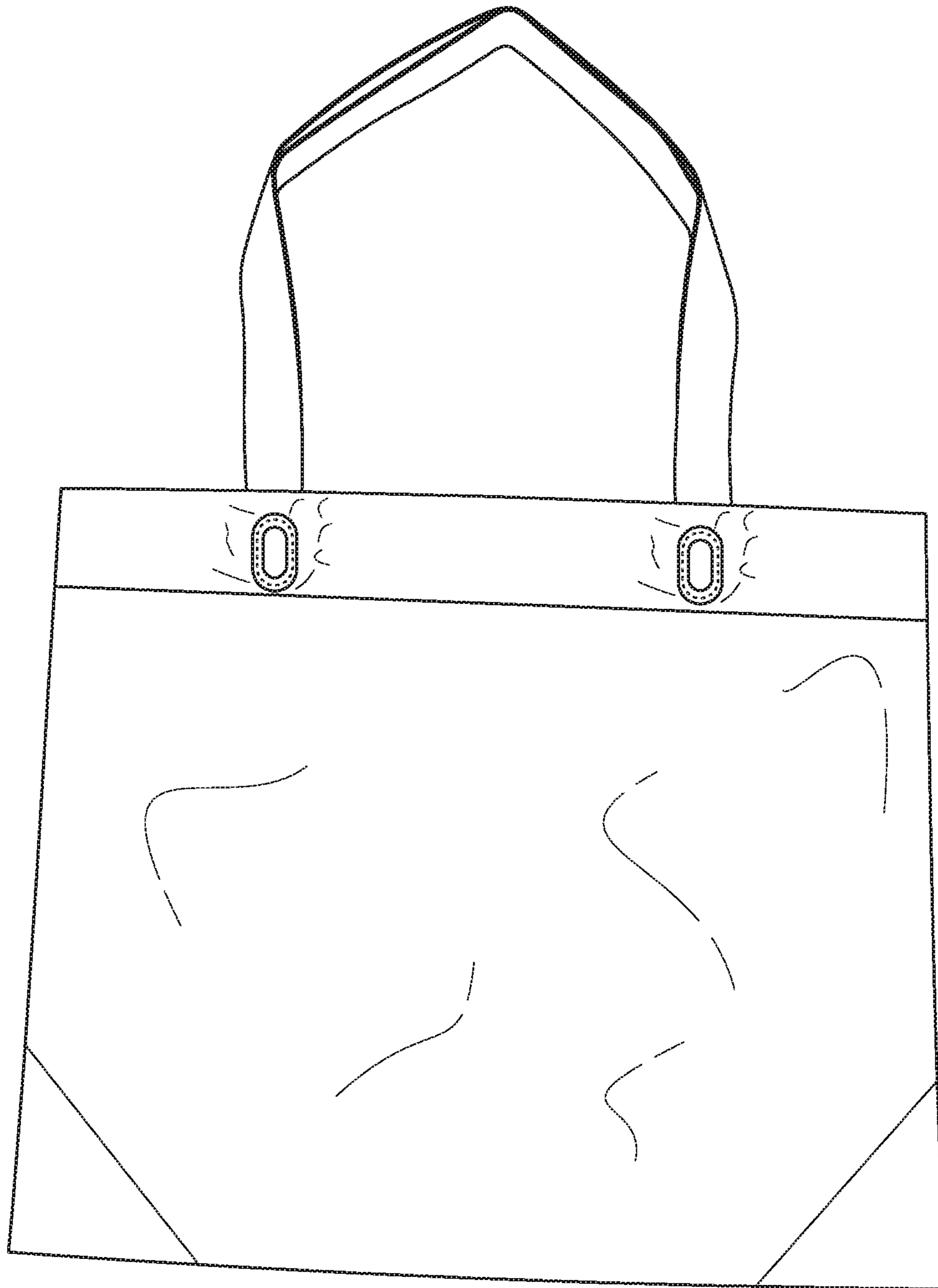


FIG. 7

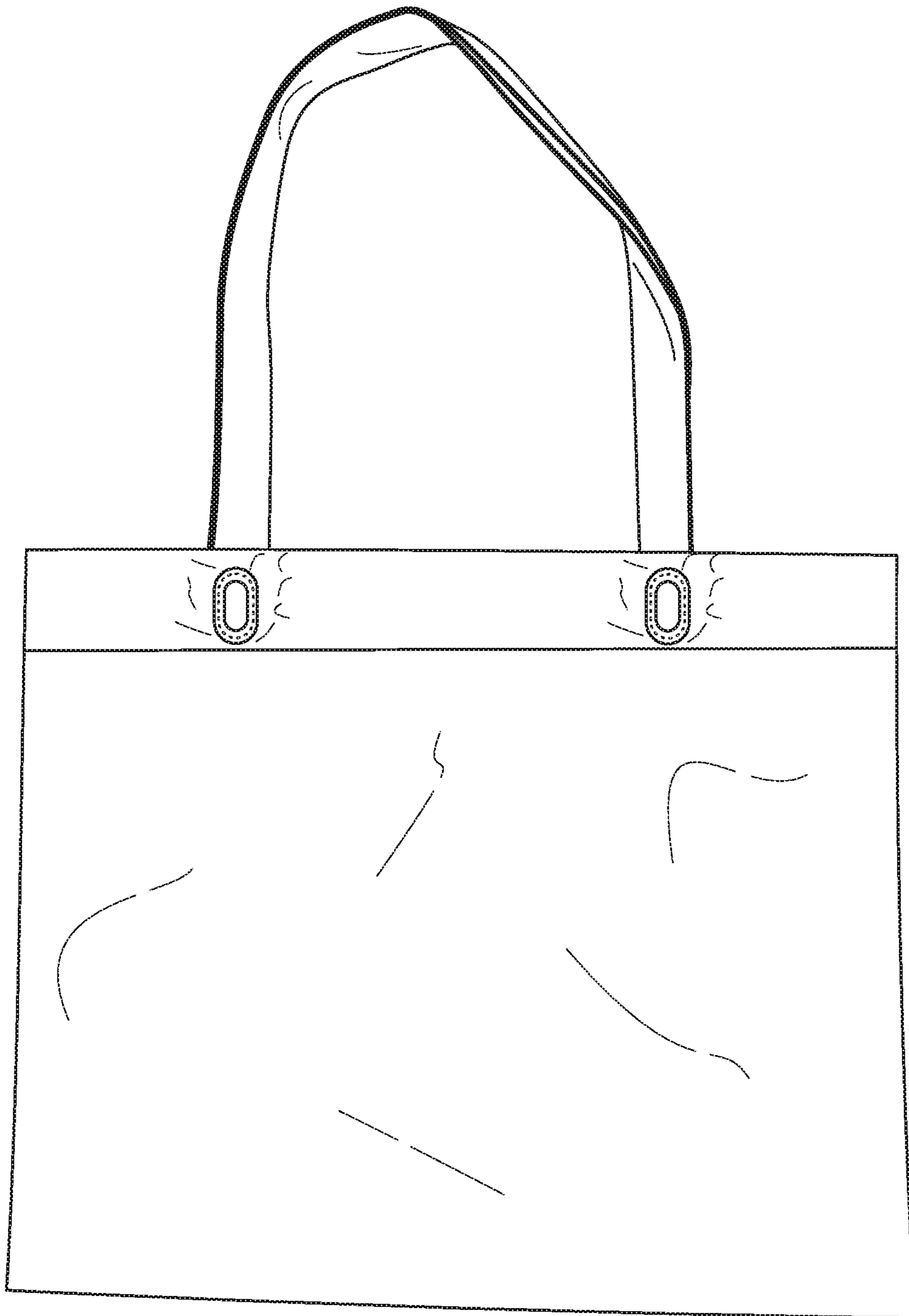


FIG. 8

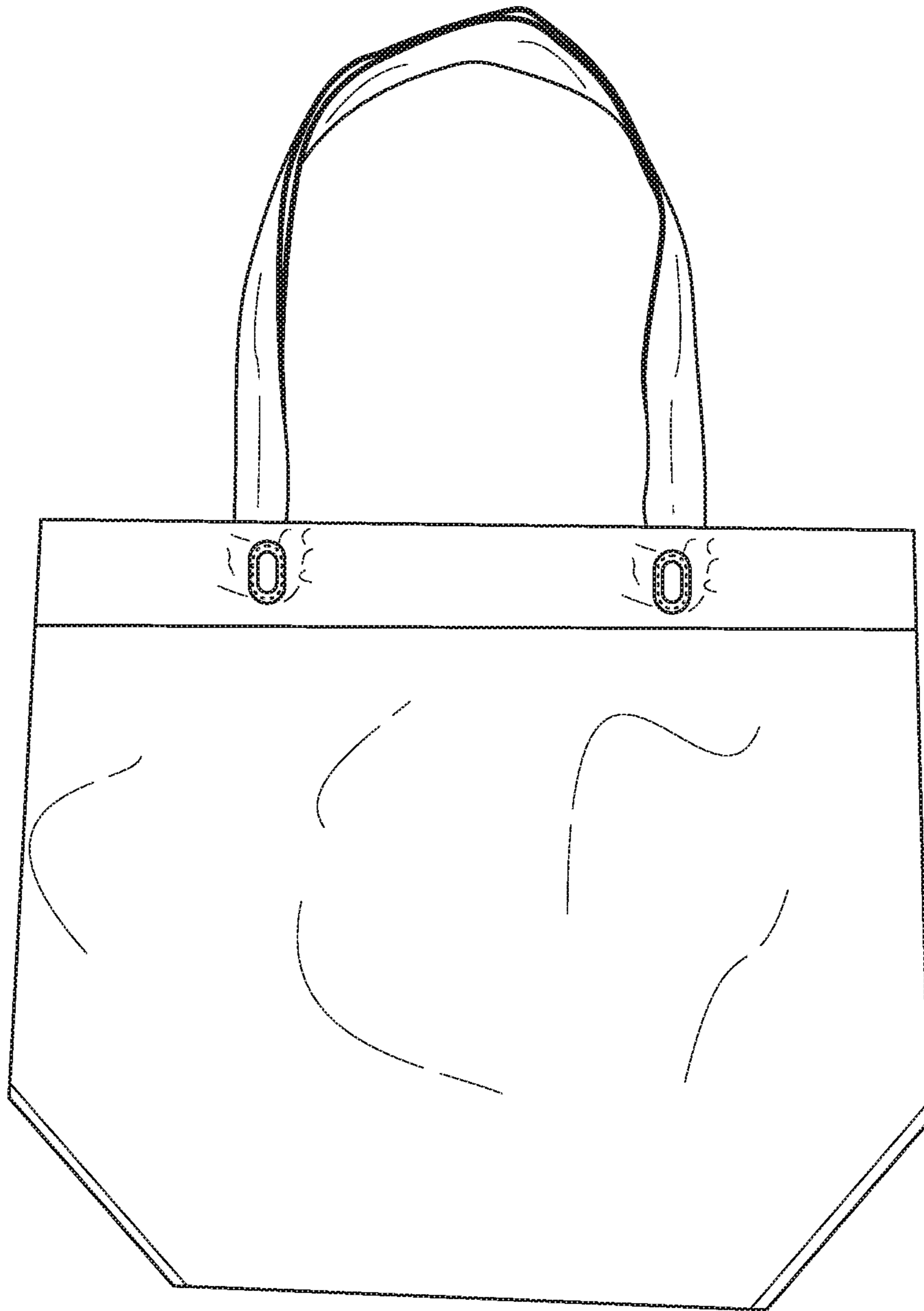


FIG. 9

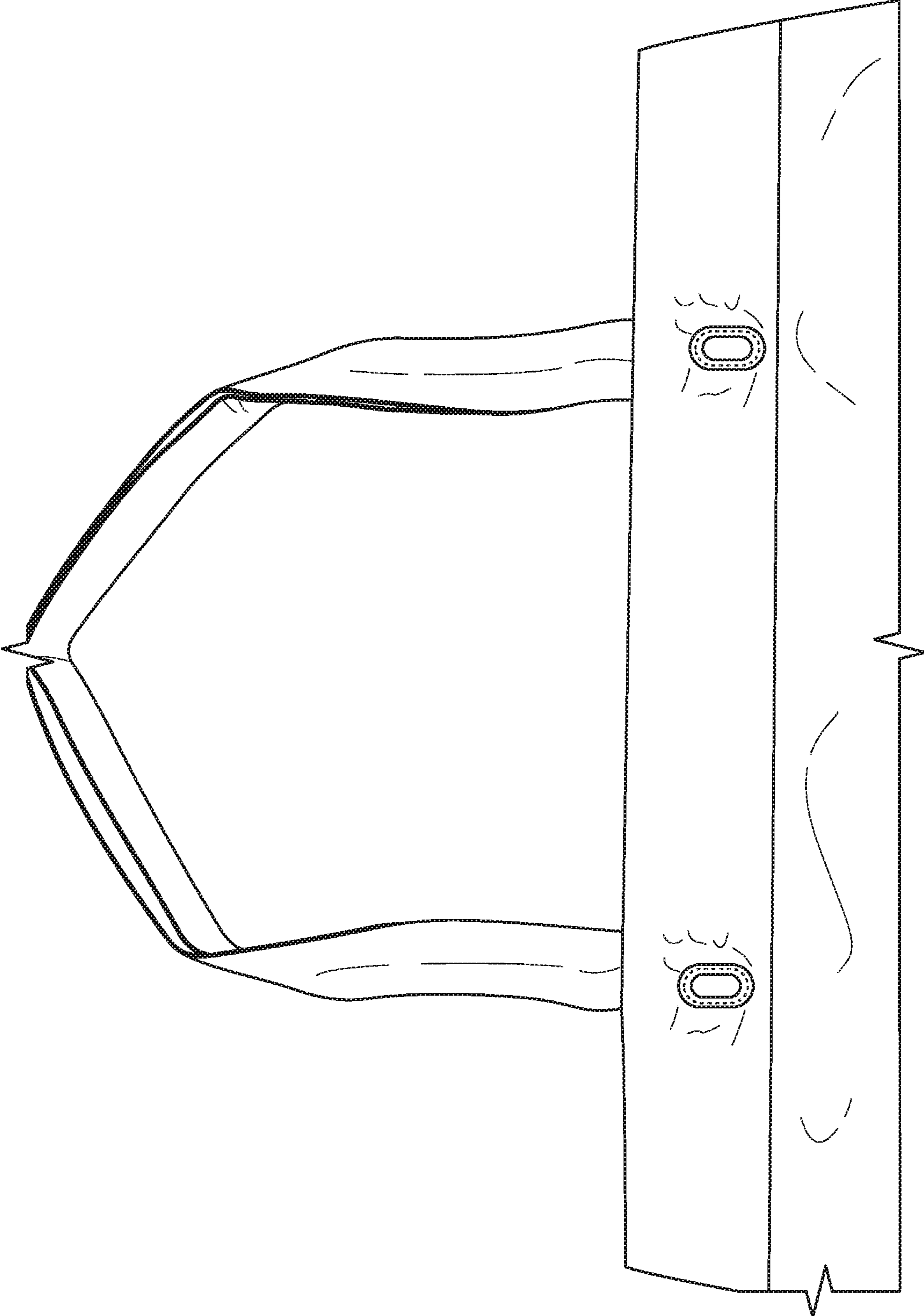


FIG. 10

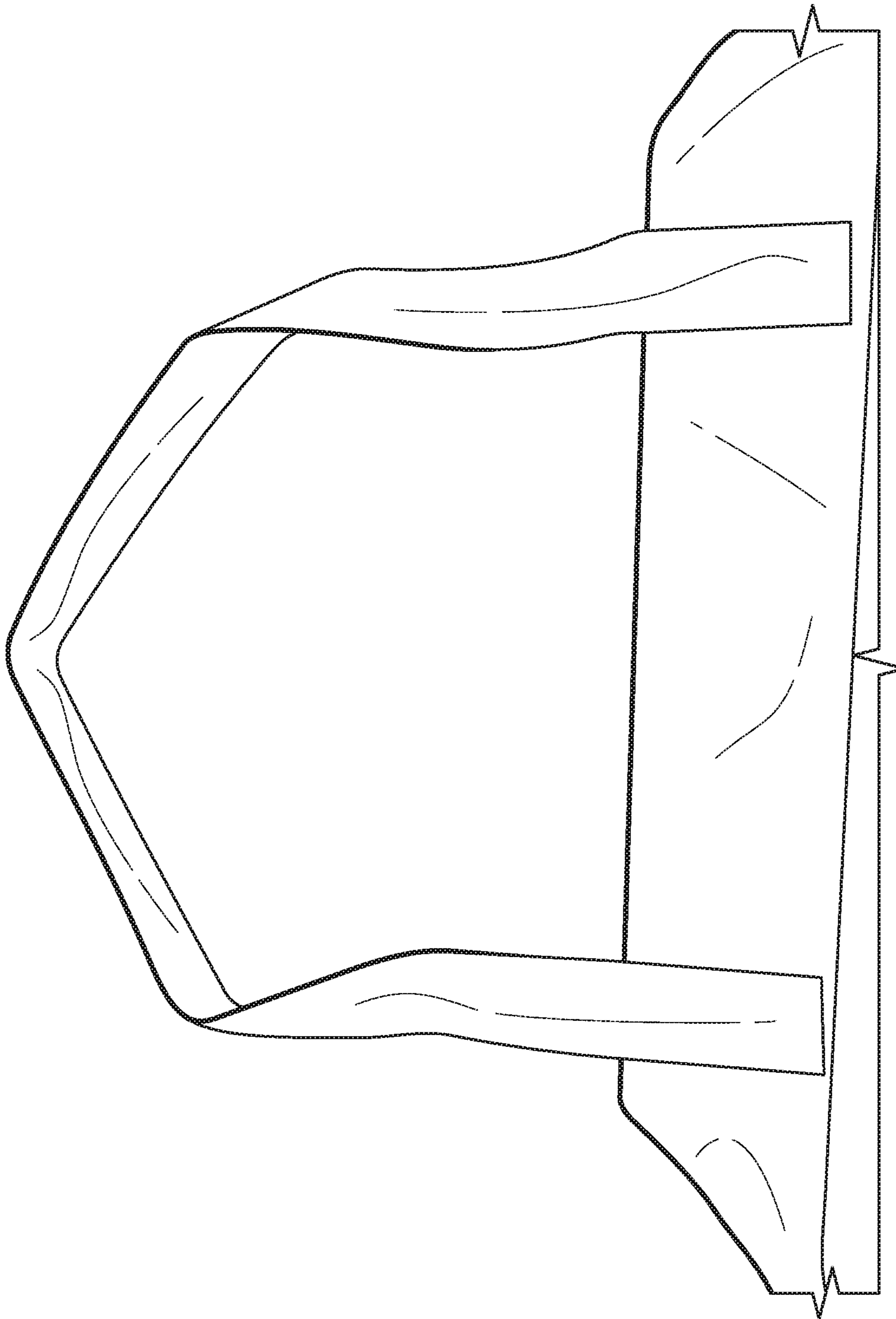


FIG. 11

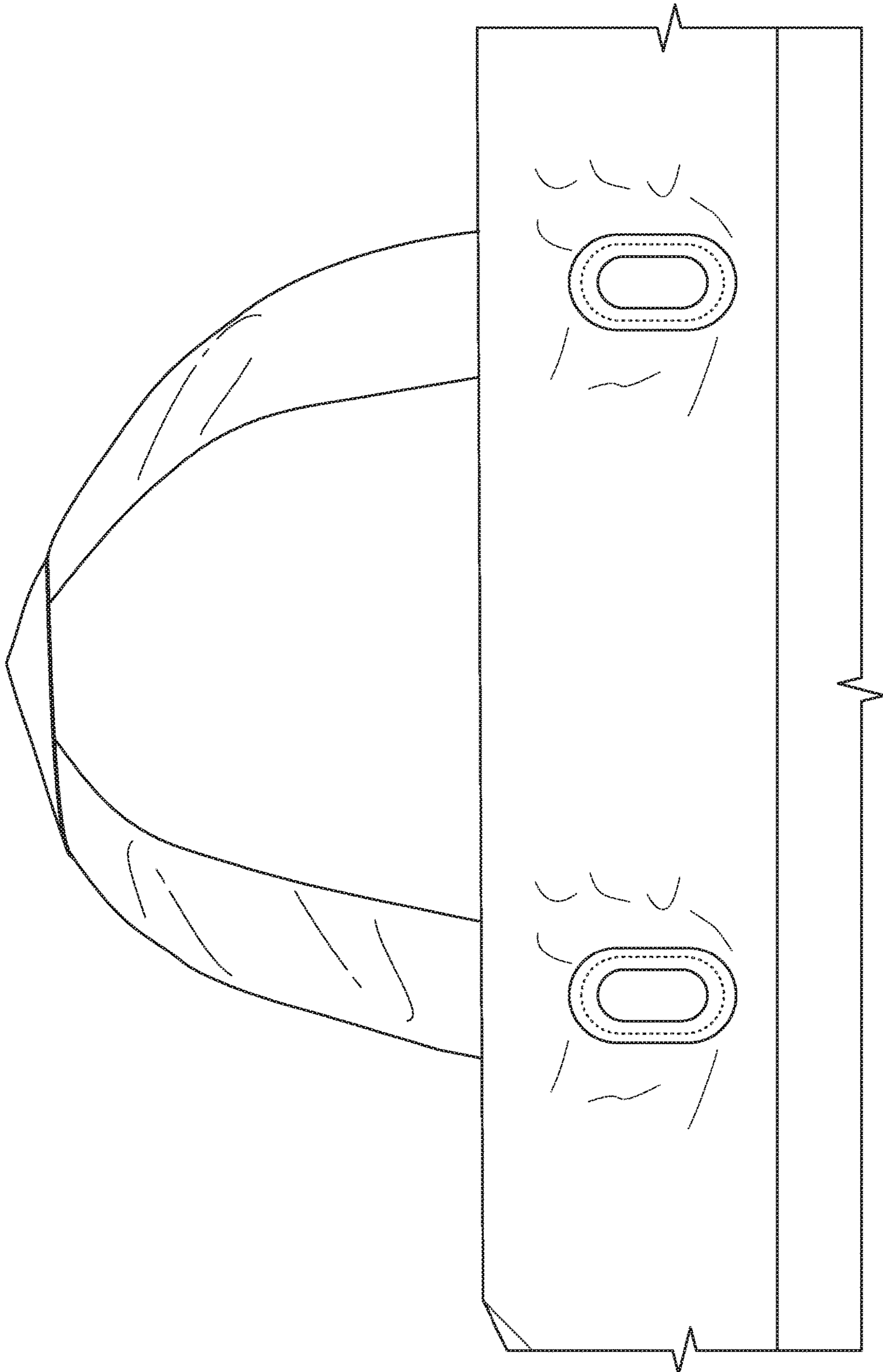


FIG. 12

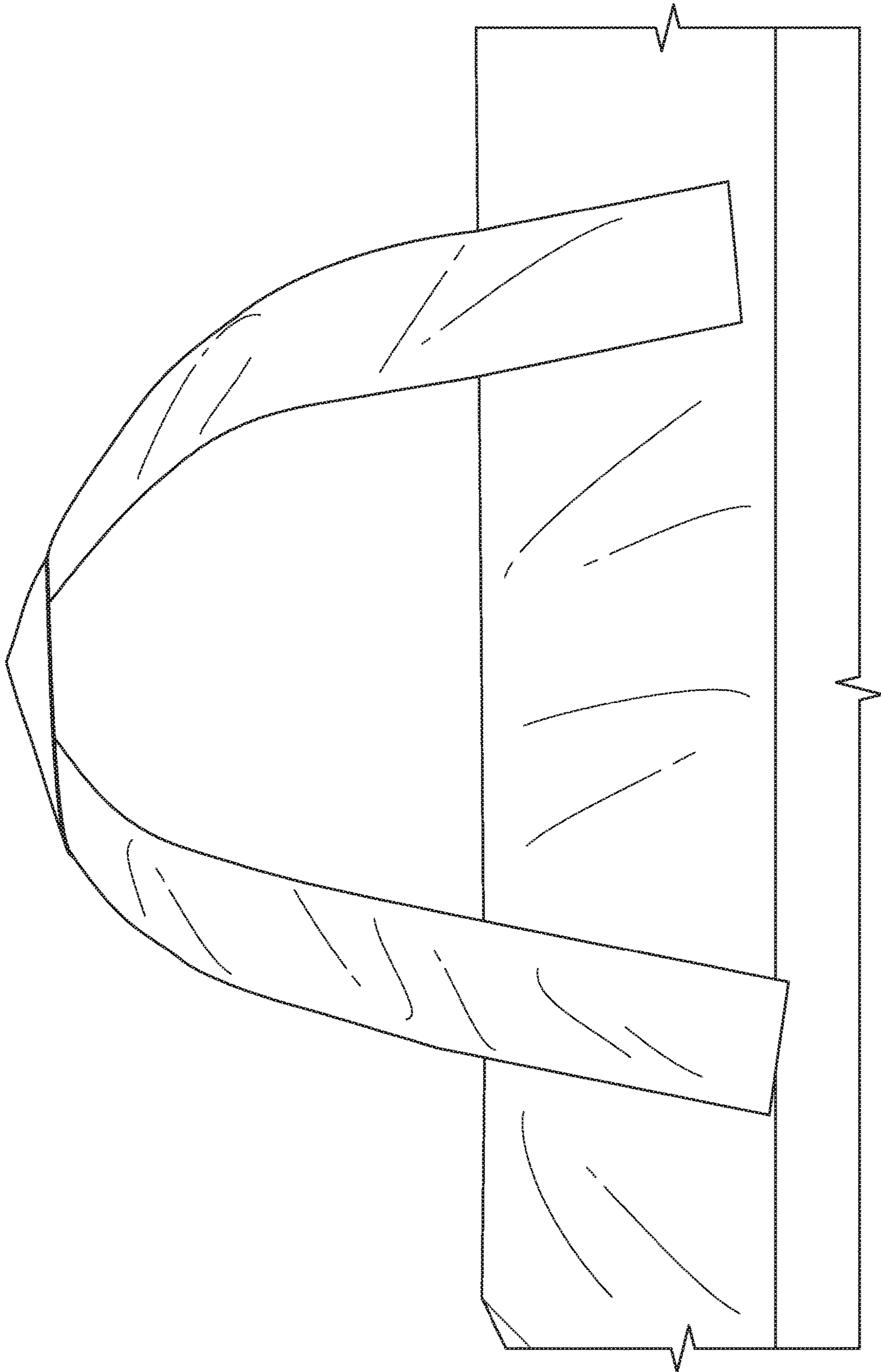


FIG. 13

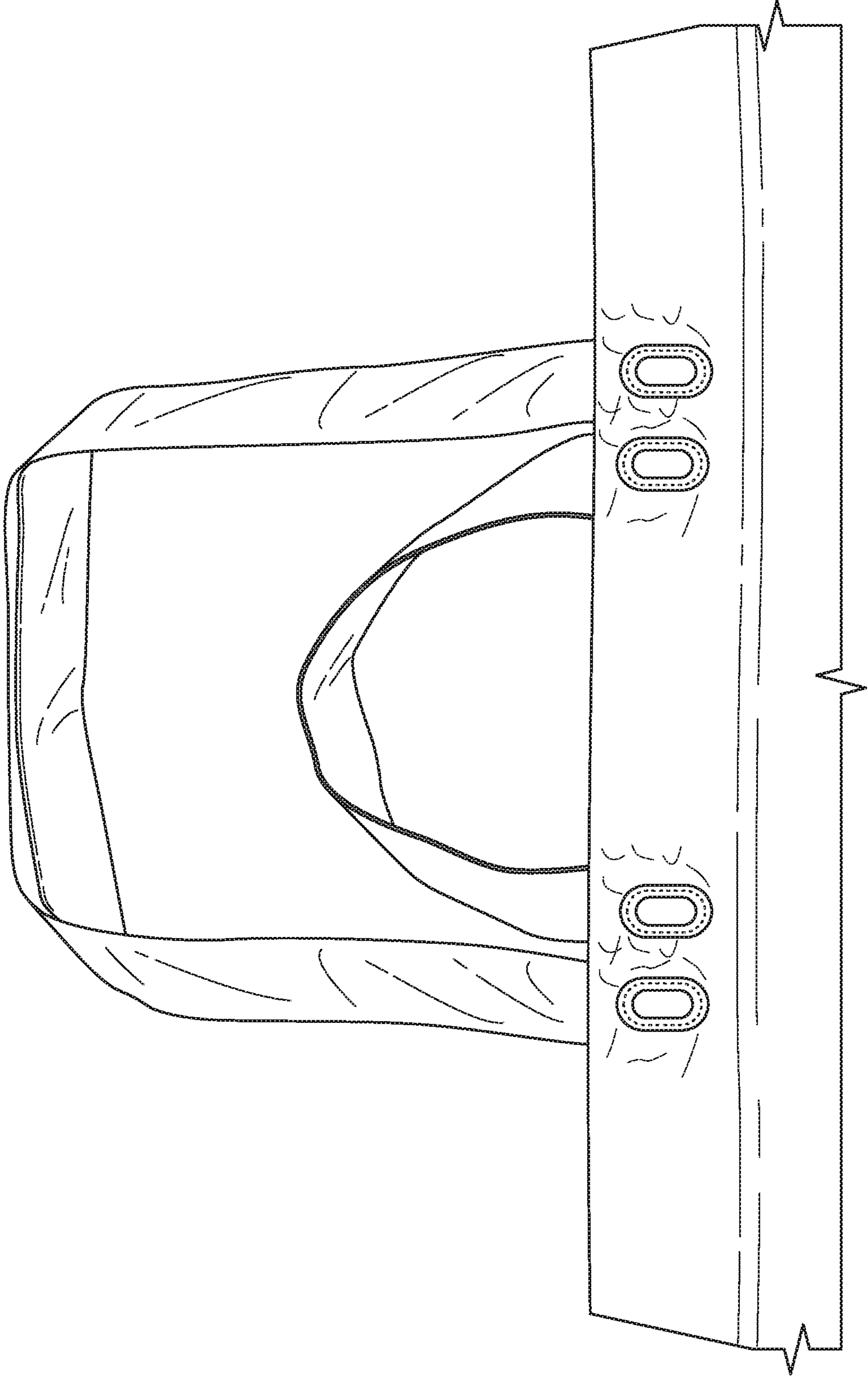


FIG. 14



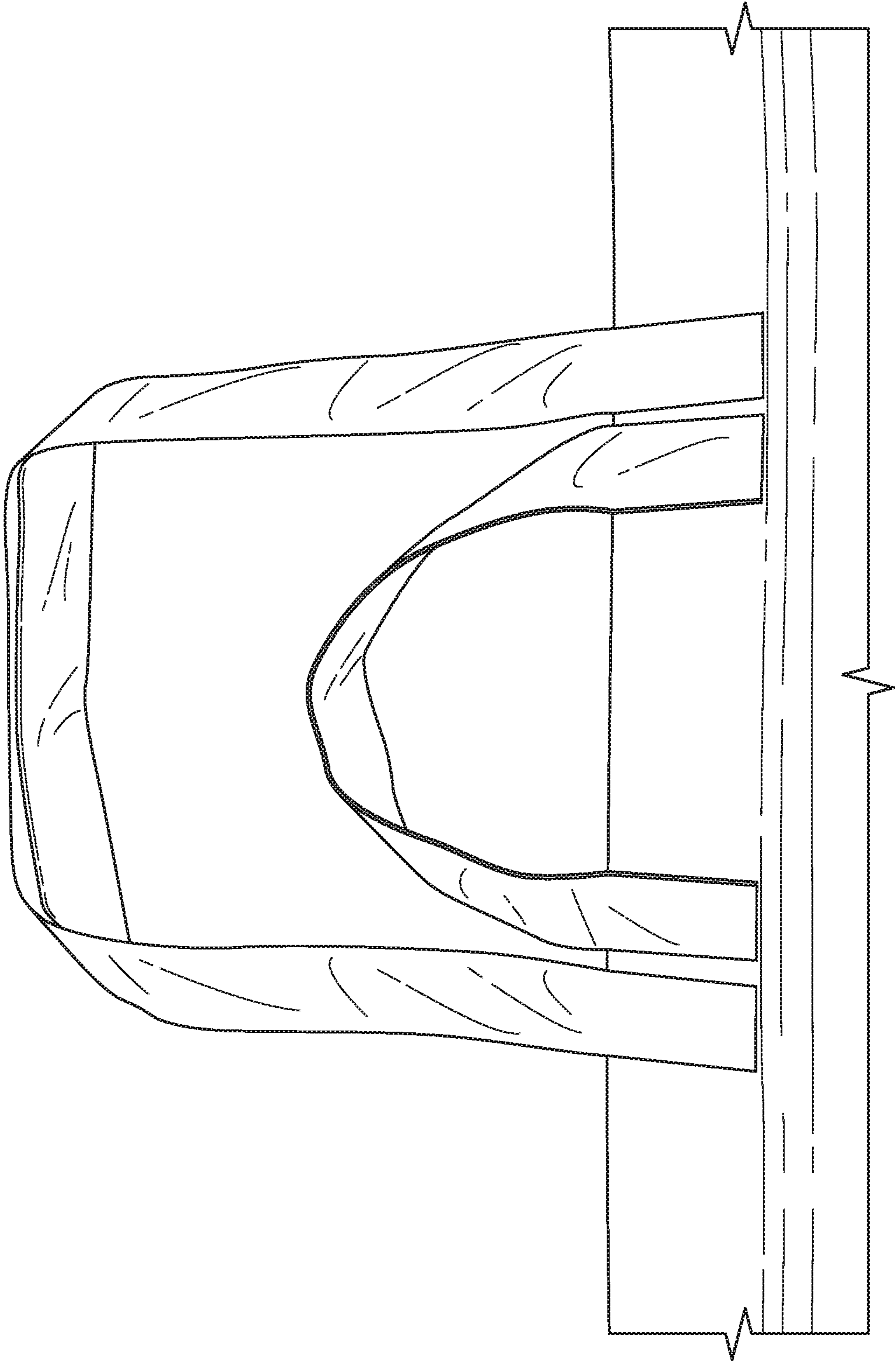


FIG. 15

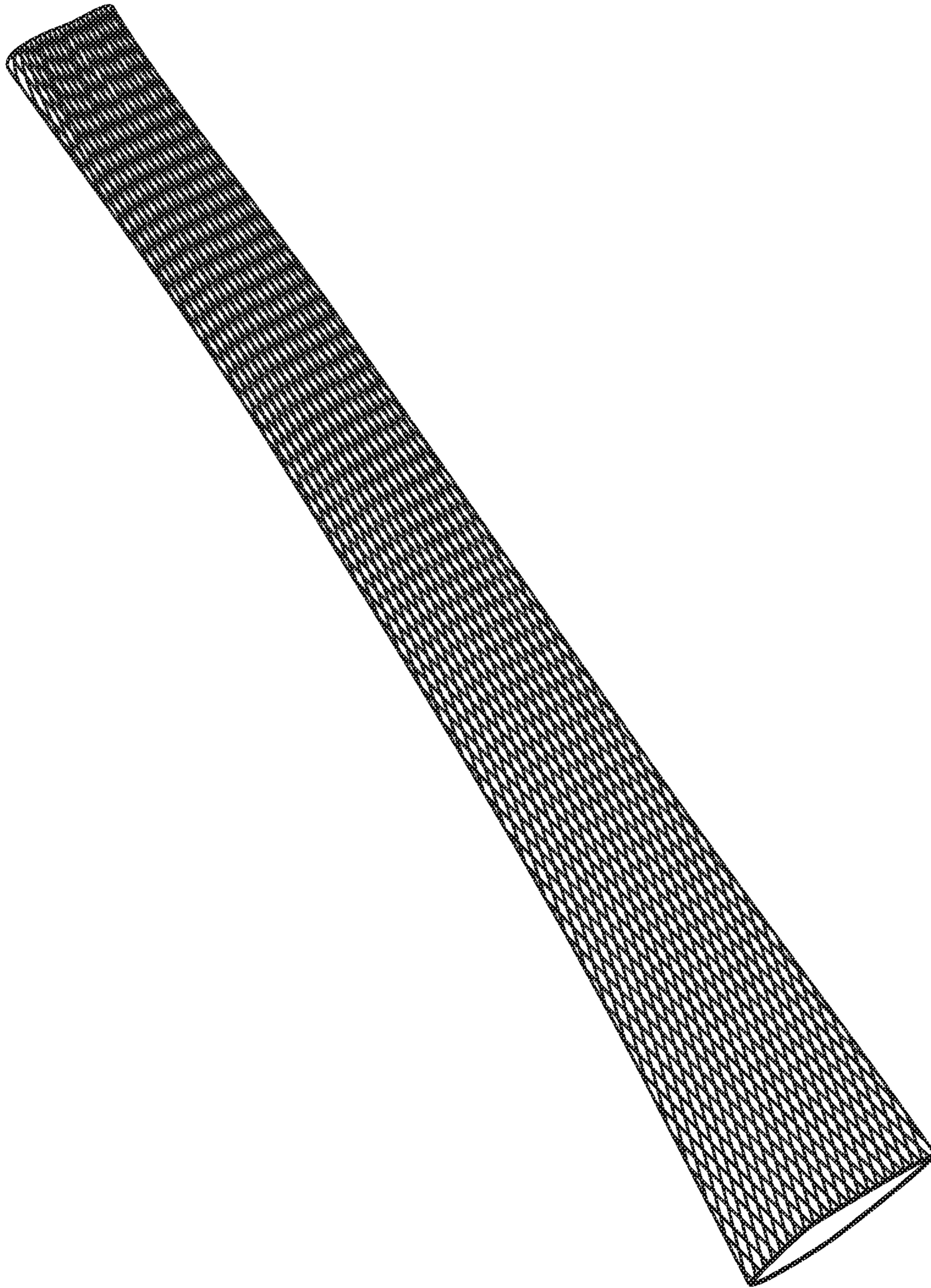


FIG. 16

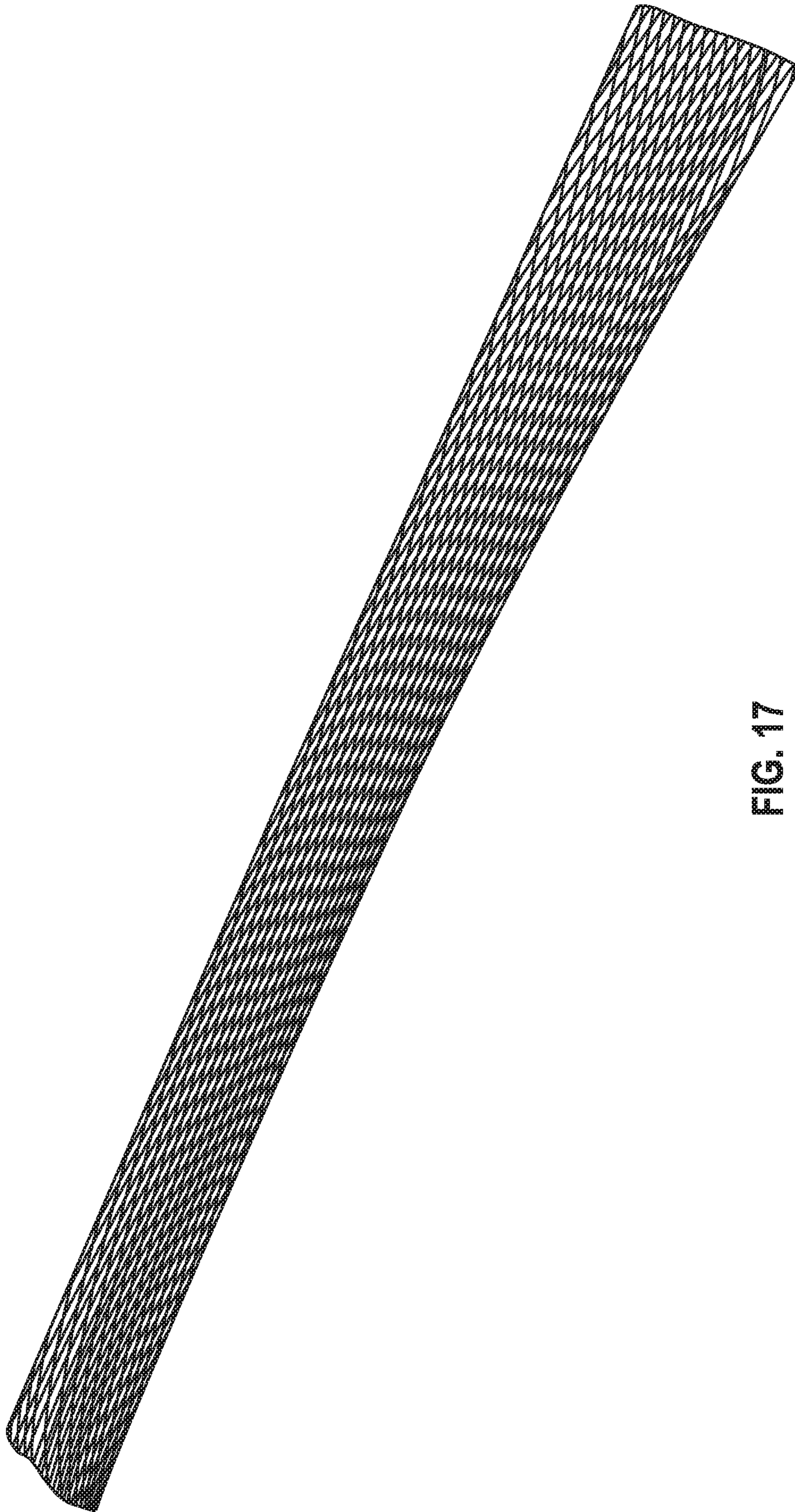


FIG. 17



FIG. 18

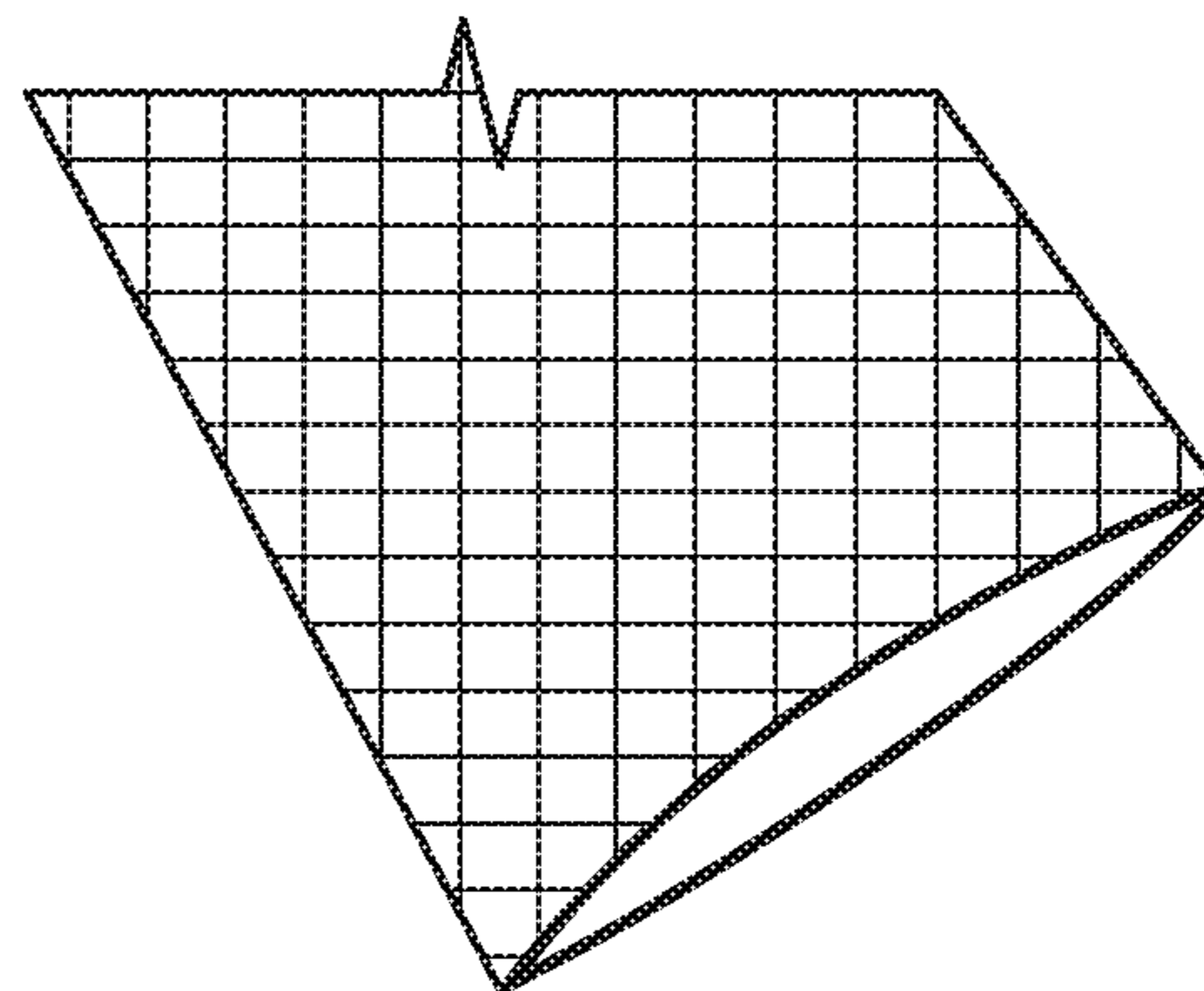


FIG. 19

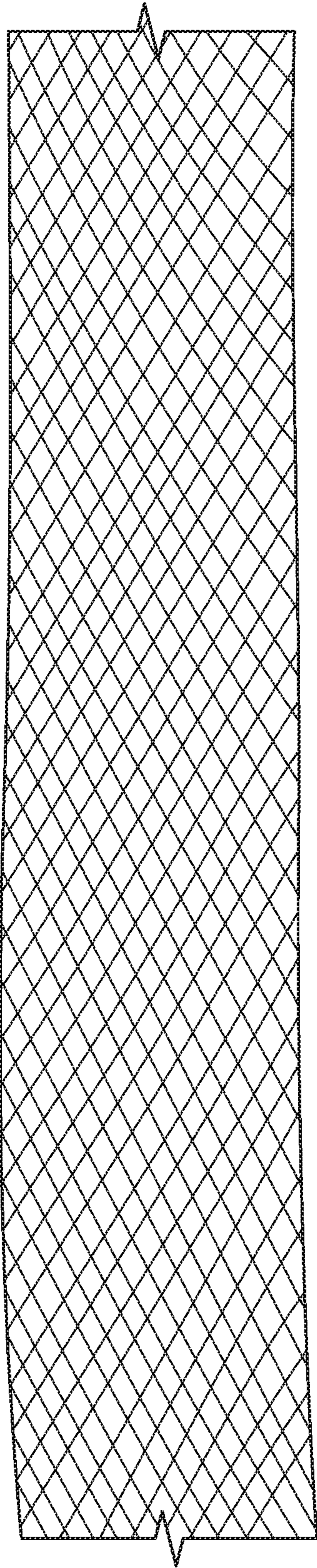


FIG. 20

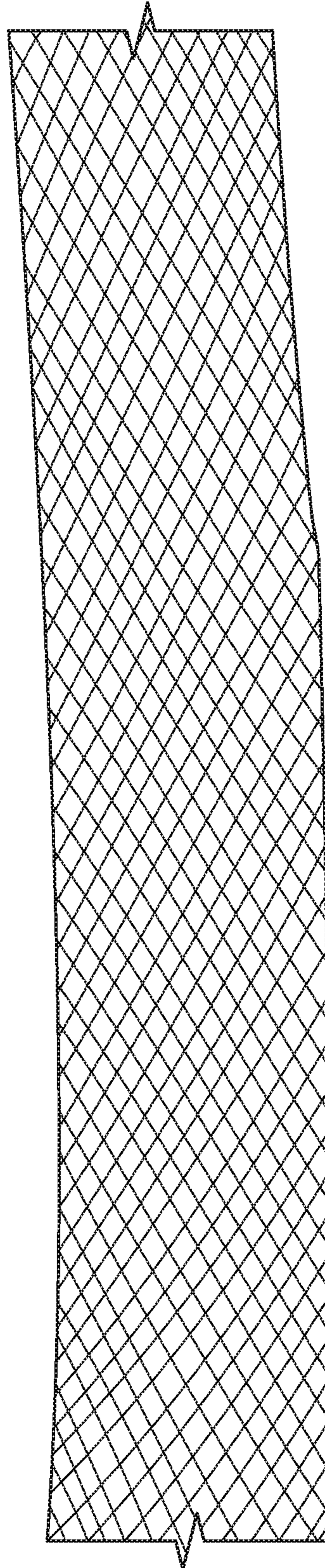


FIG. 21

UNITED STATES PATENT AND TRADEMARK OFFICE  
**CERTIFICATE OF CORRECTION**

PATENT NO. : D894,594 S  
APPLICATION NO. : 29/640478  
DATED : September 1, 2020  
INVENTOR(S) : Georg Donner and Wolfgang Trossen

Page 1 of 2

It is certified that error appears in the above-identified patent and that said Letters Patent is hereby corrected as shown below:

On the Title Page

Please replace the Title Page with the Attached Title Page.

In the Description, delete all of the text at Column 2, Line 11 to Page 2, Column 2, Line 10.

In the Description, at Column 2, Line 10, delete the word "thereof;" and insert --thereof.--.

In the Drawings

Delete FIG. 7 to FIG. 21.

Signed and Sealed this  
Twenty-third Day of February, 2021



Drew Hirshfeld  
*Performing the Functions and Duties of the  
Under Secretary of Commerce for Intellectual Property and  
Director of the United States Patent and Trademark Office*

(12) **United States Design Patent** (10) **Patent No.:** **US D894,594 S**  
**Donner et al.** (45) **Date of Patent:** **\*\* Sep. 1, 2020**

(54) **PLASTIC FOIL CARRIER BAG WITH PLASTIC FOIL HANDLE**  
(71) Applicant: **METTLER PACKAGING LLC**, Raynham, MA (US)  
(72) Inventors: **Georg Donner**, Morbach (DE); **Wolfgang Trossen**, Morbach (DE)  
(73) Assignee: **METTLER PACKAGING LLC**, Raynham, MA (US)  
(\*\*) Term: **15 Years**  
(21) Appl. No.: **29/640,478**  
(22) Filed: **Mar. 14, 2018**  
(51) **LOC (12) Cl.** ..... **03-01**  
(52) **U.S. Cl.**  
USPC ..... **D3/232**  
(58) **Field of Classification Search**  
USPC ..... **D3/232-233, 240-243, 245-246**  
(Continued)

outer view of a rear side of the first embodiment having a shape and appearance evident therefrom;  
FIG. 2 is an enlarged, partial, front, upper portion thereof;  
FIG. 3 is an enlarged partial view of the inside portion thereof;  
FIG. 4 is an outer view of the front side of a second embodiment thereof;  
FIG. 5 is an enlarged, partial, front upper portion thereof;  
FIG. 6 is an enlarged partial view of the inside portion thereof;

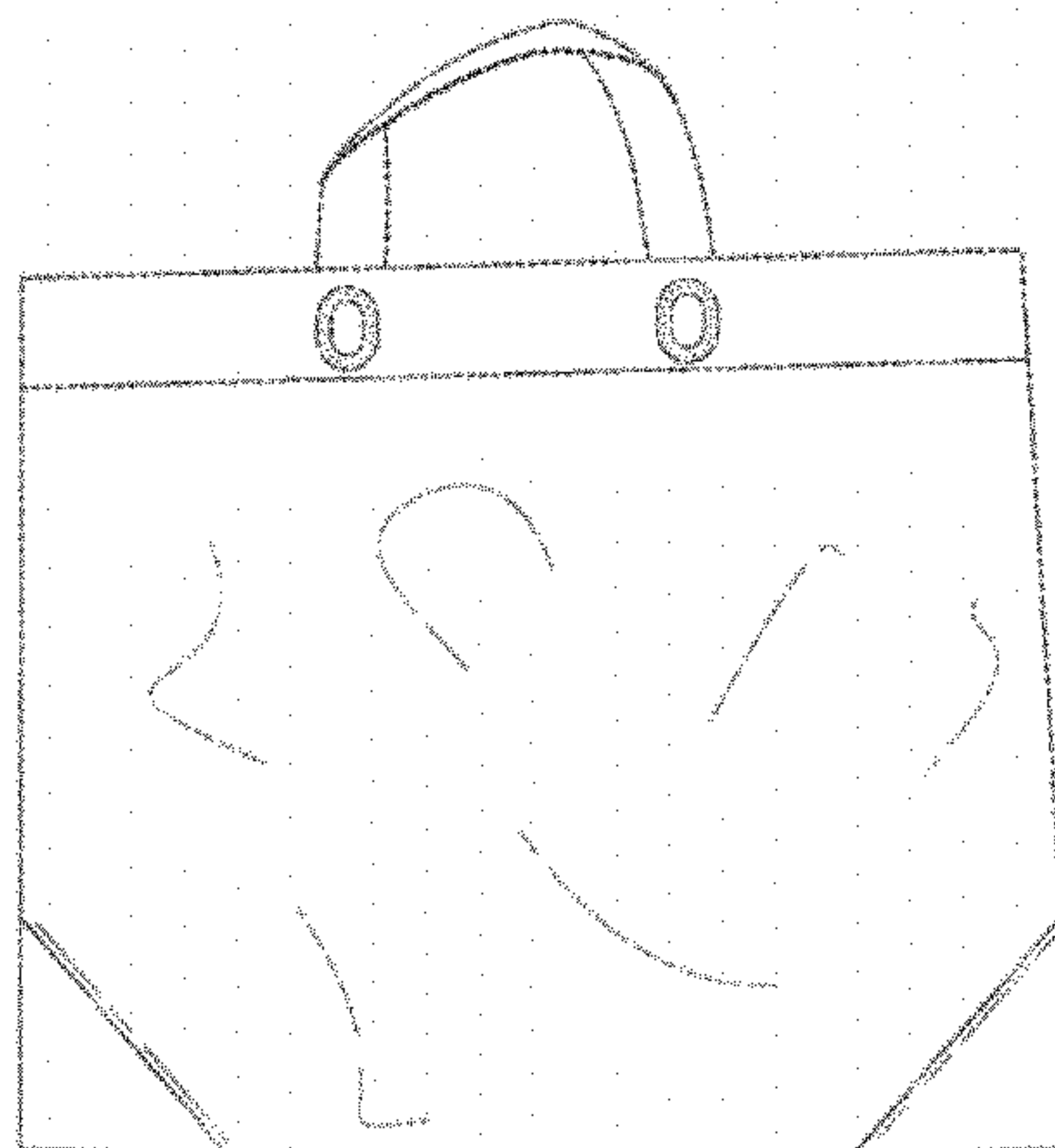
(56) **References Cited**  
U.S. PATENT DOCUMENTS  
D590,150 S \* 4/2009 Miller ..... D3/246  
\* cited by examiner  
*Primary Examiner* — Holly H Baynham  
(74) *Attorney, Agent, or Firm* — Steven J. Grossman;  
Grossman, Tucker, Perreault & Pfleger PLLC

(57) **CLAIM**  
The ornamental designs for a plastic foil carrier bag with plastic foil handle, as shown.

**1 Claim, 6 Drawing Sheets**

**DESCRIPTION**  
FIG. 1 is an outer view of a front side of a first embodiment of the plastic foil carrier bag with plastic foil handle, the

(58) **Field of Classification Search**  
CPC ..... **A45C 1/024; A45C 3/06**  
See application file for complete search history.



UNITED STATES PATENT AND TRADEMARK OFFICE  
**CERTIFICATE OF CORRECTION**

PATENT NO. : D894,594 S  
APPLICATION NO. : 29/640478  
DATED : September 1, 2020  
INVENTOR(S) : Georg Donner and Wolfgang Trossen

Page 1 of 1

It is certified that error appears in the above-identified patent and that said Letters Patent is hereby corrected as shown below:

On the Title Page

Please add:

(30) Foreign Application Priority Data

Sep. 14, 2017 (EM).....004352300

Signed and Sealed this  
Twenty-seventh Day of August, 2024



Katherine Kelly Vidal  
*Director of the United States Patent and Trademark Office*