



US00D894593S

(12) **United States Design Patent**
Zhang

(10) **Patent No.:** **US D894,593 S**

(45) **Date of Patent:** **** Sep. 1, 2020**

(54) **SMART PHONE CASE**

(71) Applicant: **Yu Long Zhang**, Brooklyn, NY (US)

(72) Inventor: **Yu Long Zhang**, Brooklyn, NY (US)

(**) Term: **15 Years**

(21) Appl. No.: **29/687,336**

(22) Filed: **Apr. 12, 2019**

(51) **LOC (12) Cl.** **03-01**

(52) **U.S. Cl.**
USPC **D3/218**

(58) **Field of Classification Search**
USPC D3/218, 201, 215, 219, 228, 269, 301,
D3/303; 224/196, 240–241, 578, 674,
224/676–683, 600, 605, 625, 901, 904,
224/930; D14/253, 248, 250–251
CPC A45F 5/00; A45F 5/02; A45F 5/021; A45F
2200/05; A45F 2200/0508; A45F
2200/0516; A45F 2200/0525; A45F 3/02;
A45F 3/14

See application file for complete search history.

(56) **References Cited**

U.S. PATENT DOCUMENTS

D368,800 S * 4/1996 Shink D3/218
D534,720 S * 1/2007 Infanti D3/218

D680,744 S * 4/2013 Rashid D3/303
D793,077 S * 8/2017 Zhang D3/218
D819,960 S * 6/2018 Zhang D3/218
D880,149 S * 4/2020 Yang D3/226

* cited by examiner

Primary Examiner — Catherine R Oliver-Garcia

(74) *Attorney, Agent, or Firm* — Gary E. Lambert; David
J. Connaughton, Jr.; Lambert Shortell & Connaughton

(57) **CLAIM**

The ornamental design for a smart phone case, as shown and described.

DESCRIPTION

FIG. 1 is a front perspective view of the smart phone case, which embodies my design;
FIG. 2 is a rear elevation view thereof;
FIG. 3 is a side elevation view thereof;
FIG. 4 is an opposite side elevation view thereof; and,
FIG. 5 is a rear elevation view thereof, shown in use.
The dotted lines shown in the drawings represent stitching.

1 Claim, 3 Drawing Sheets

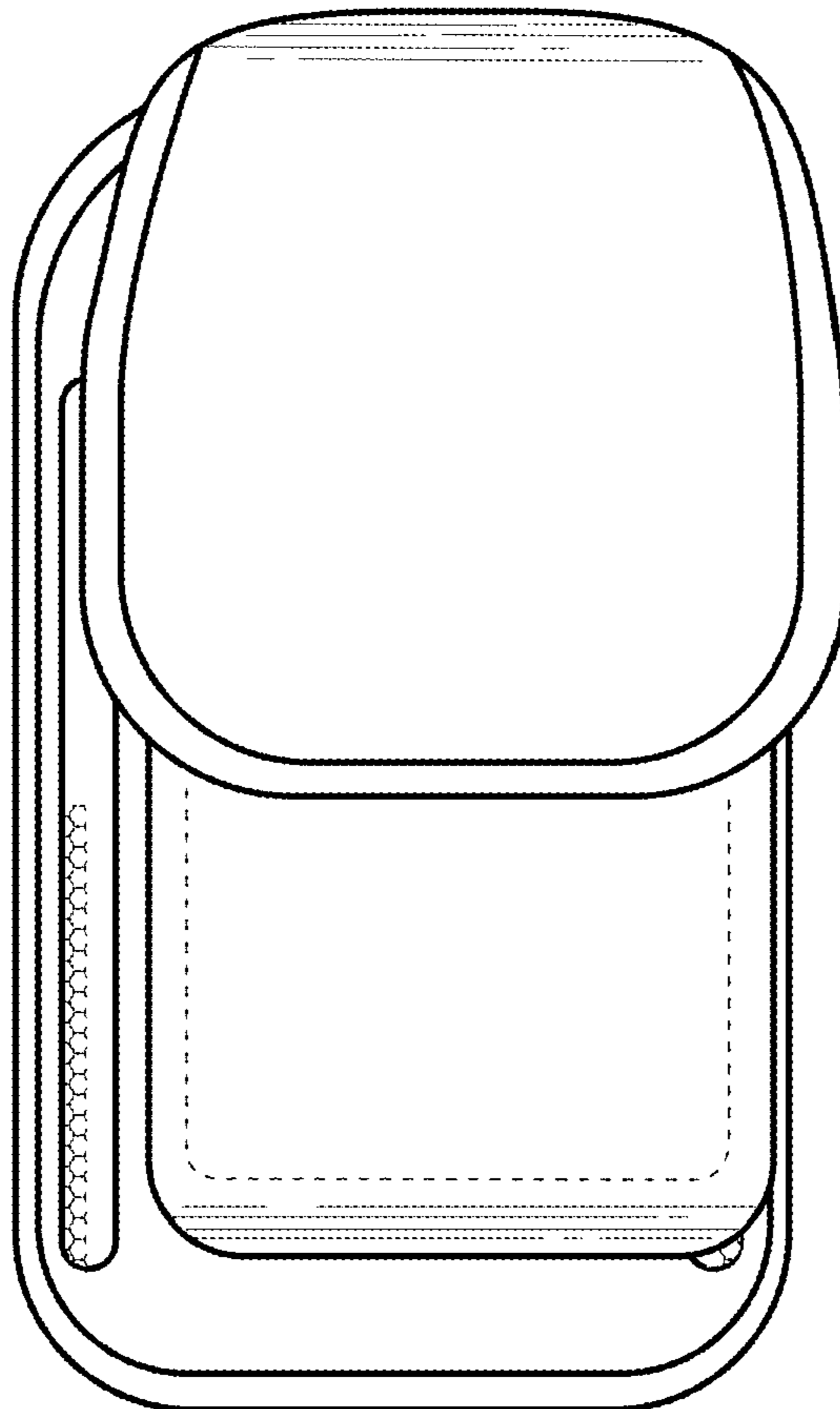


Fig. 1

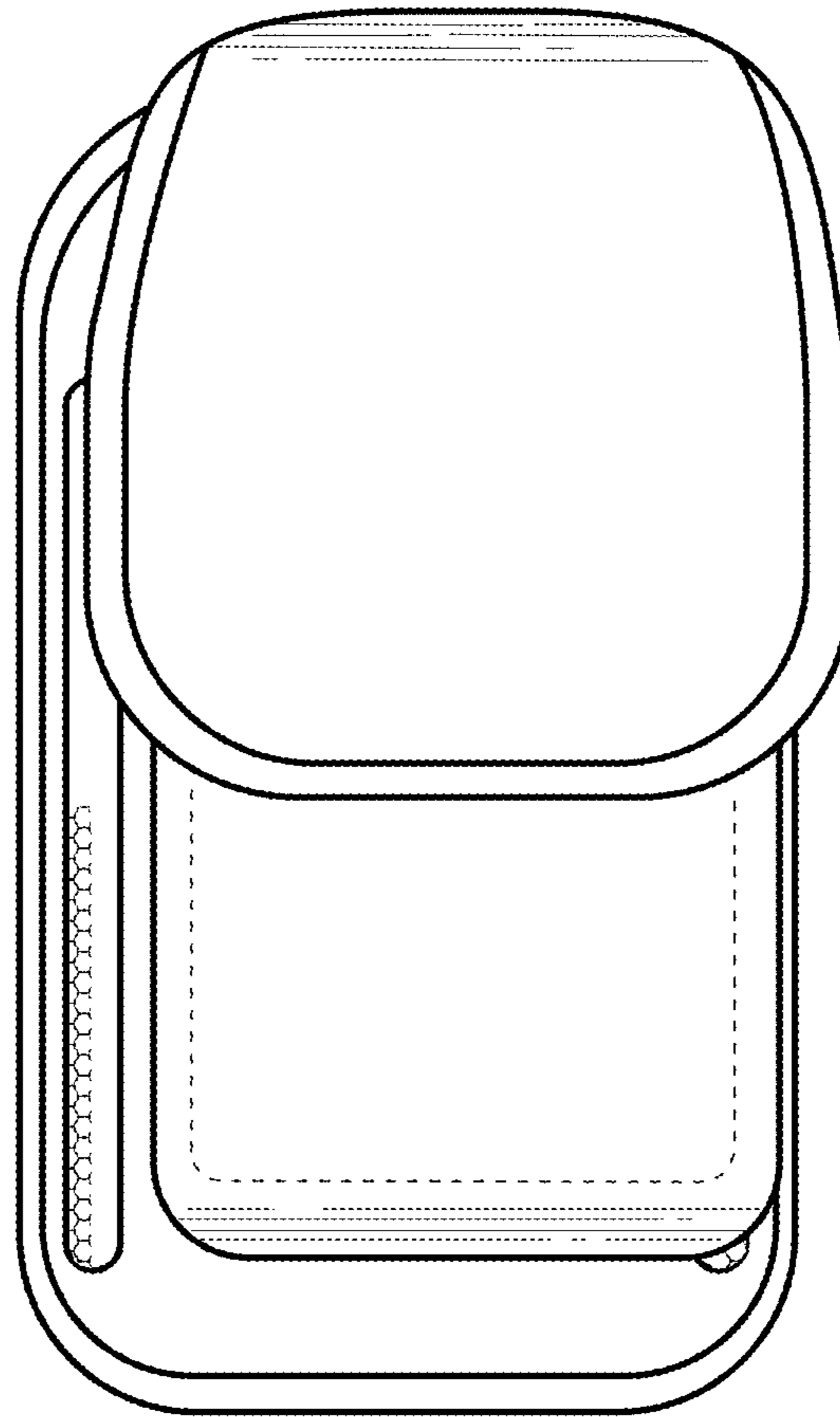


Fig. 2

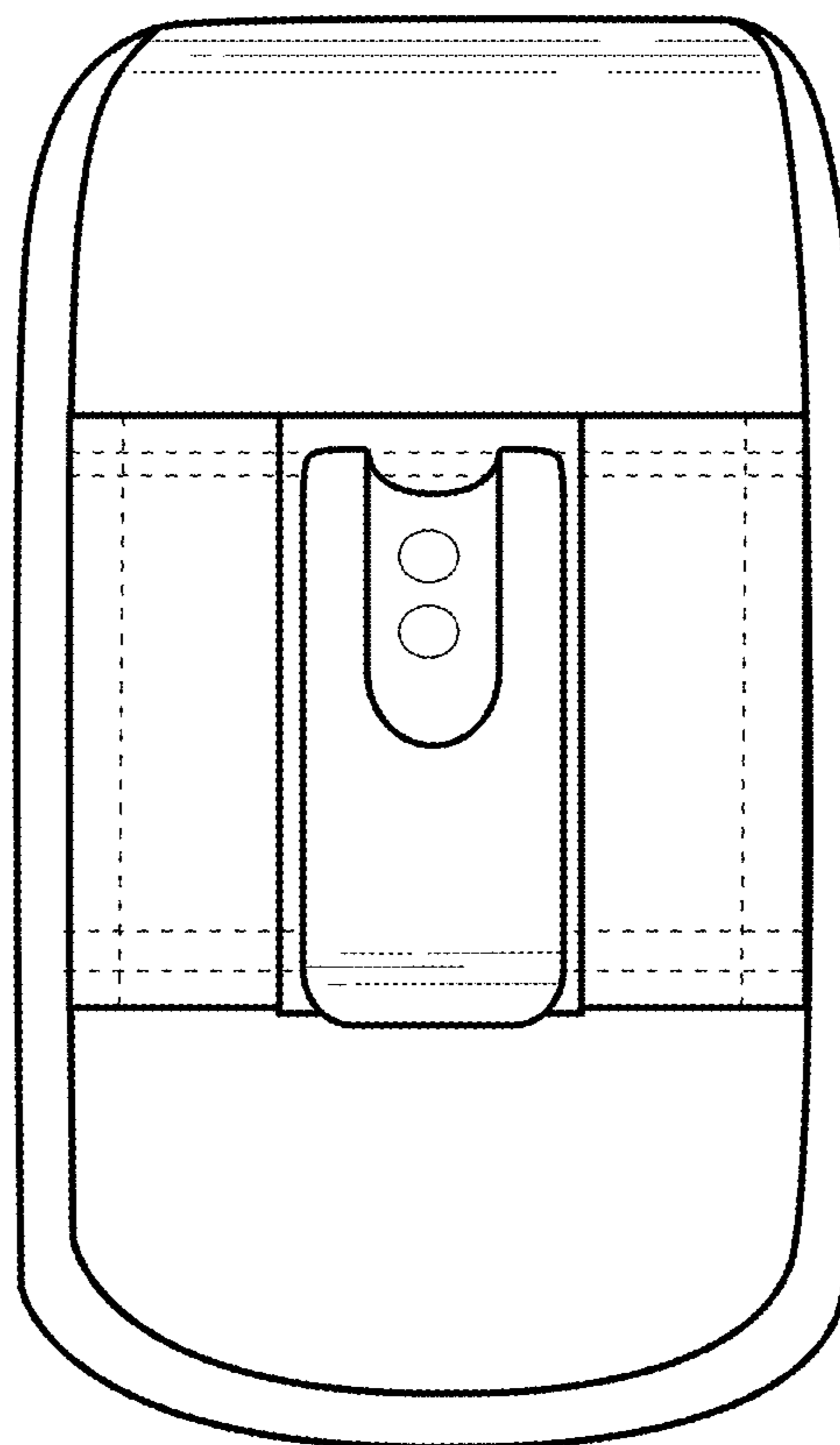


Fig. 3

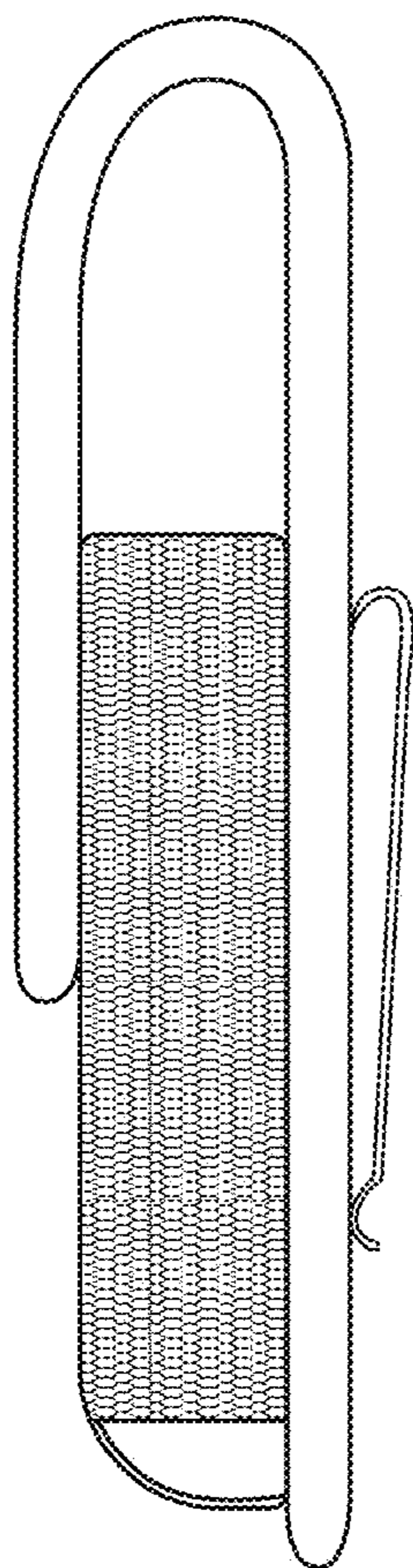
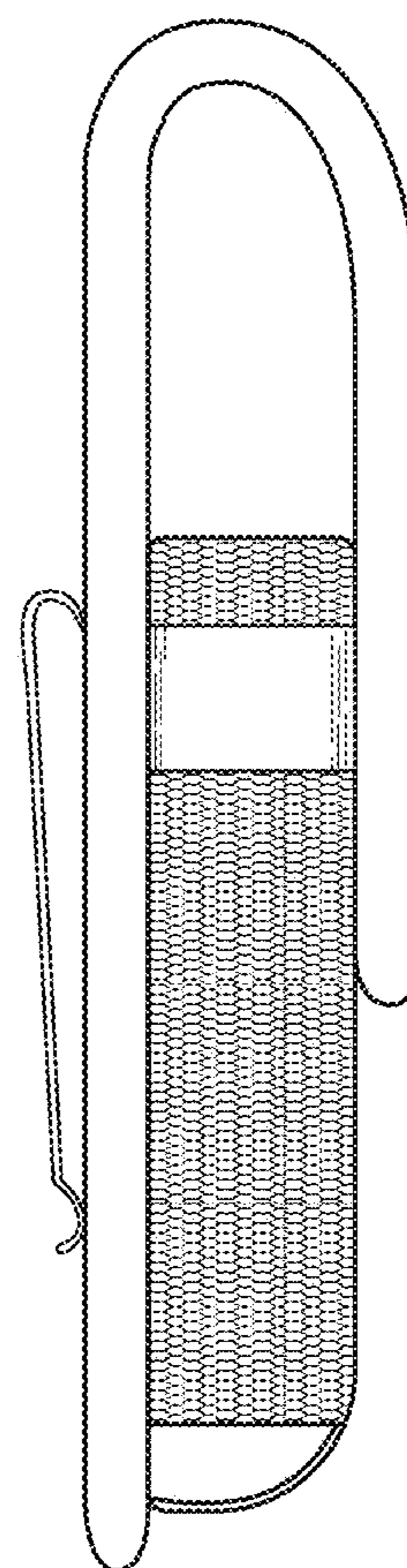


Fig. 4



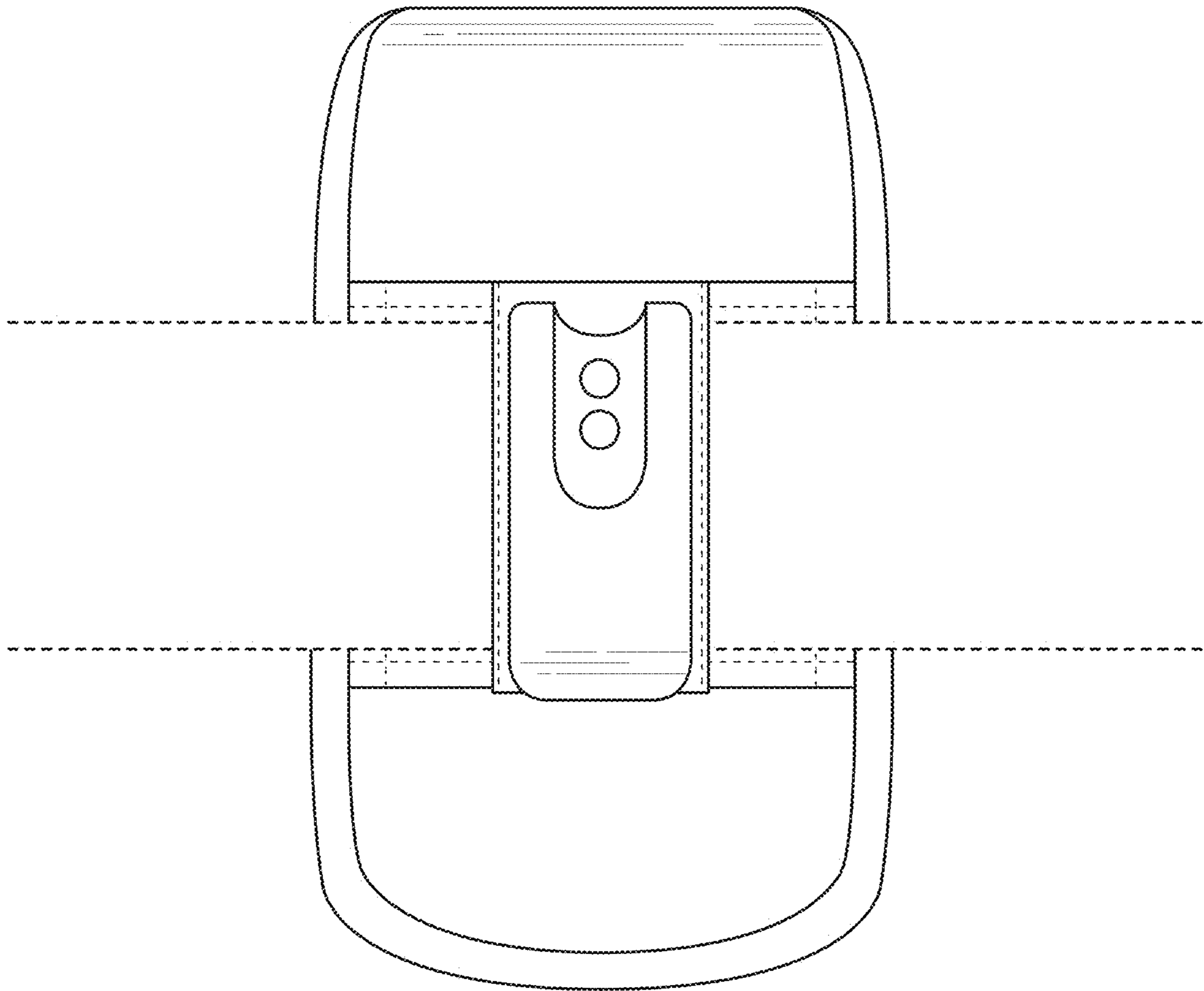


Fig. 5