



US00D894592S

(12) **United States Design Patent**
Liu

(10) **Patent No.:** **US D894,592 S**

(45) **Date of Patent:** **** Sep. 1, 2020**

(54) **BACKPACK**

(71) Applicant: **Shanghai Congwudaoyou Network Technology Co., Ltd., Shanghai (CN)**

(72) Inventor: **Mike Liu, Shanghai (CN)**

(**) Term: **15 Years**

(21) Appl. No.: **29/734,977**

(22) Filed: **May 18, 2020**

(51) **LOC (12) Cl.** **03-01**

(52) **U.S. Cl.**
USPC **D3/217**

(58) **Field of Classification Search**
USPC D3/201, 213–219, 221, 224, 225, 229,
D3/230, 232, 243–246, 254, 318
CPC .. A45C 3/08; A45C 3/06; A45C 13/08; A45C
13/02; A45C 7/0086; A45C 3/00; A45C
13/26; A45F 3/04; A45F 3/02
See application file for complete search history.

(56) **References Cited**

U.S. PATENT DOCUMENTS

- 6,769,585 B2 * 8/2004 Santaniello A45C 13/08
190/109
- 7,892,064 B2 * 2/2011 Carruth A63H 33/00
446/73
- D690,095 S * 9/2013 Garcia D3/217
- D702,434 S * 4/2014 Chalk D3/217
- D713,139 S * 9/2014 Ford D3/217

- D714,541 S * 10/2014 Anderson D3/217
- D725,908 S * 4/2015 Zwetzig D3/283
- D734,024 S * 7/2015 Garcia D3/216
- D742,631 S * 11/2015 Kim D3/217
- D794,947 S * 8/2017 Gavriel D3/217
- D805,761 S * 12/2017 Garcia D3/216
- D850,784 S * 6/2019 Sassi D3/217
- D857,376 S * 8/2019 Thibadeau
- D880,847 S * 4/2020 Huang D3/217

* cited by examiner

Primary Examiner — Jennifer L Watkins

(74) *Attorney, Agent, or Firm* — ZANIP

(57) **CLAIM**

The ornamental design for a backpack, as shown and described.

DESCRIPTION

FIG. 1 is a front and top perspective view of a backpack, showing my new design;
 FIG. 2 is a rear and bottom perspective view thereof;
 FIG. 3 is a front elevational view thereof;
 FIG. 4 is a rear elevational view thereof;
 FIG. 5 is a left side elevational view thereof;
 FIG. 6 is a right side elevational view thereof;
 FIG. 7 is a top plan view thereof; and,
 FIG. 8 is a bottom plan view thereof.
 The broken lines in the figures illustrate portions of the article that form no part of the claimed design.

1 Claim, 8 Drawing Sheets





FIG. 1



FIG. 2

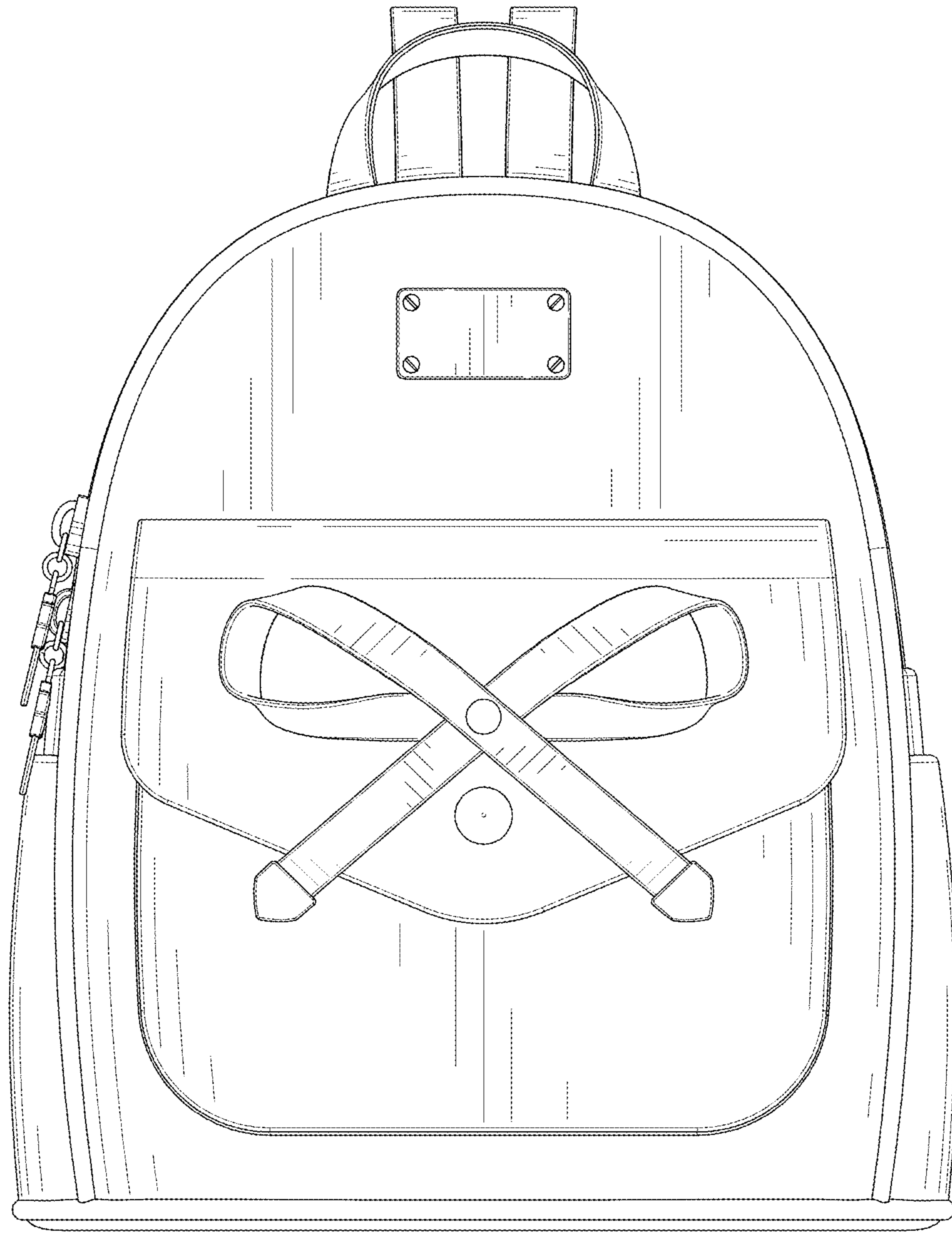


FIG. 3

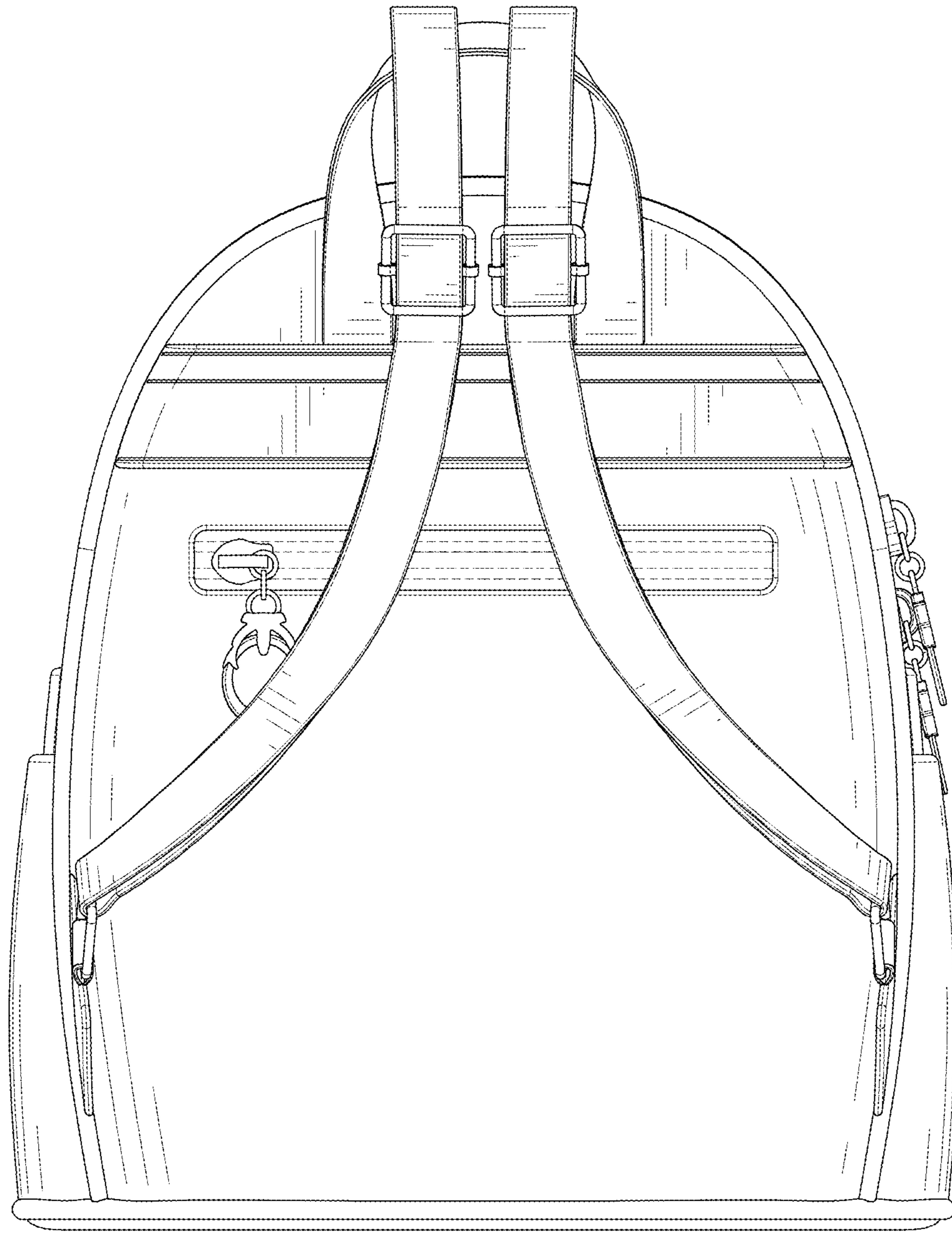


FIG. 4

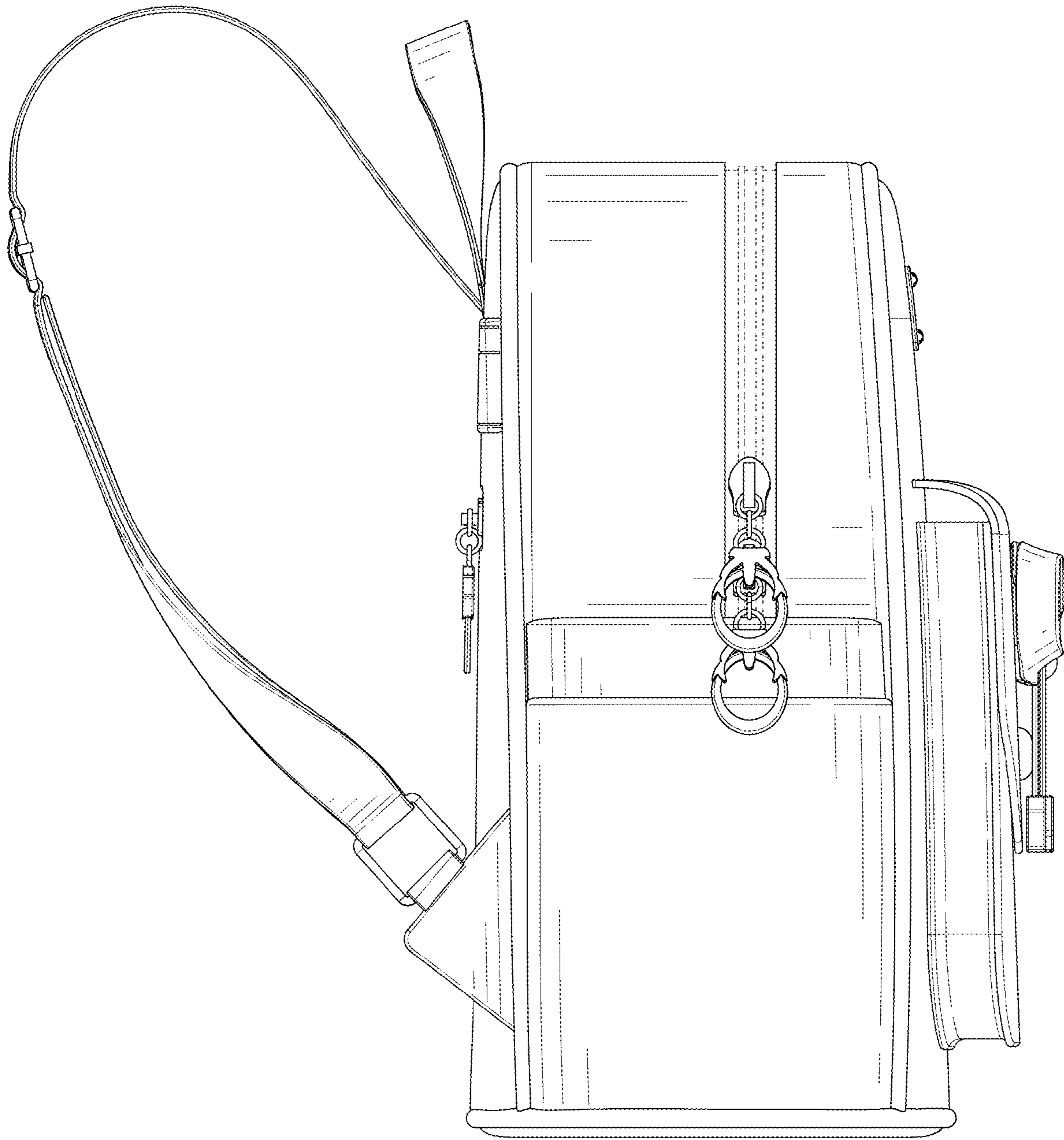


FIG. 5

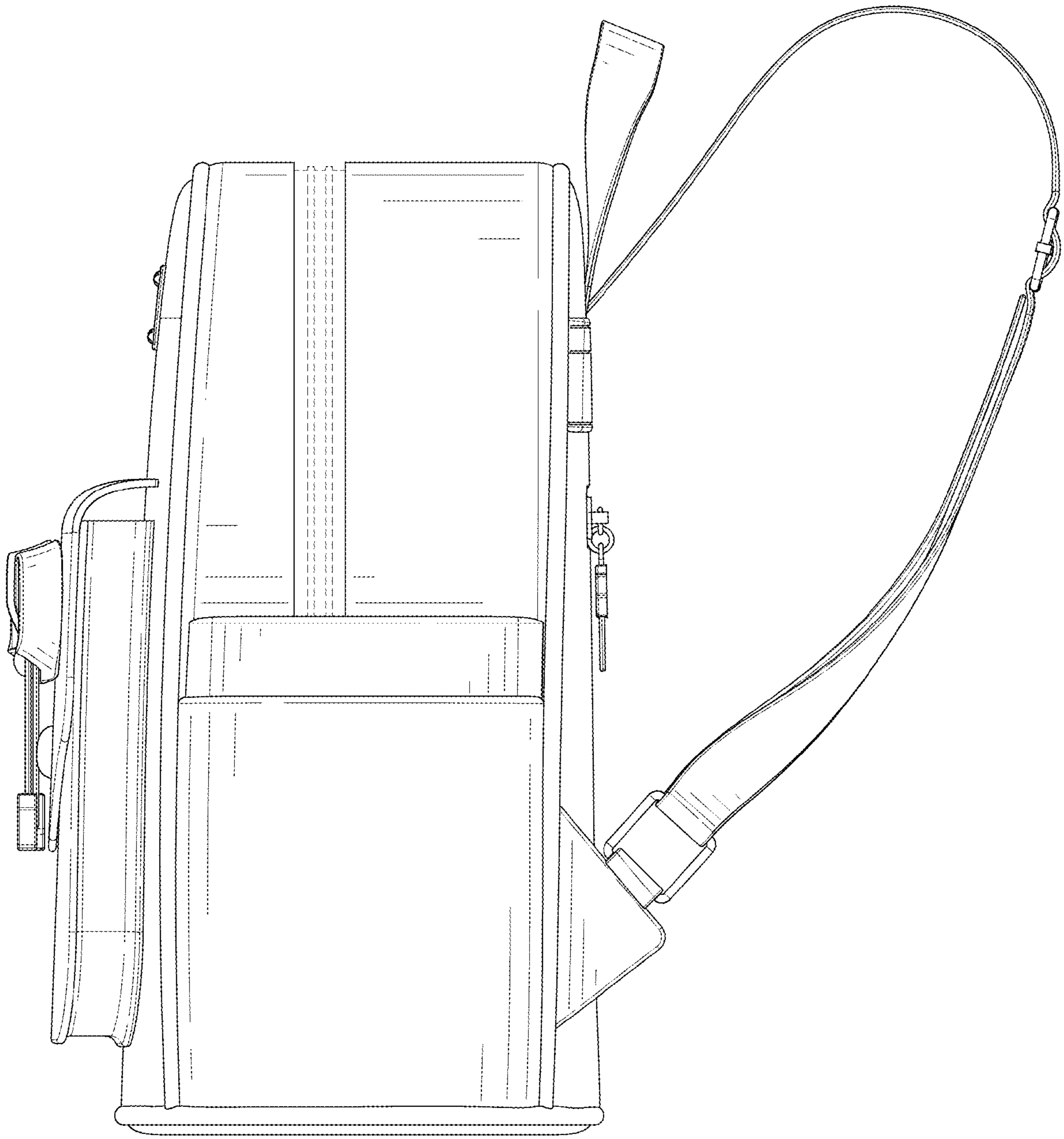


FIG. 6

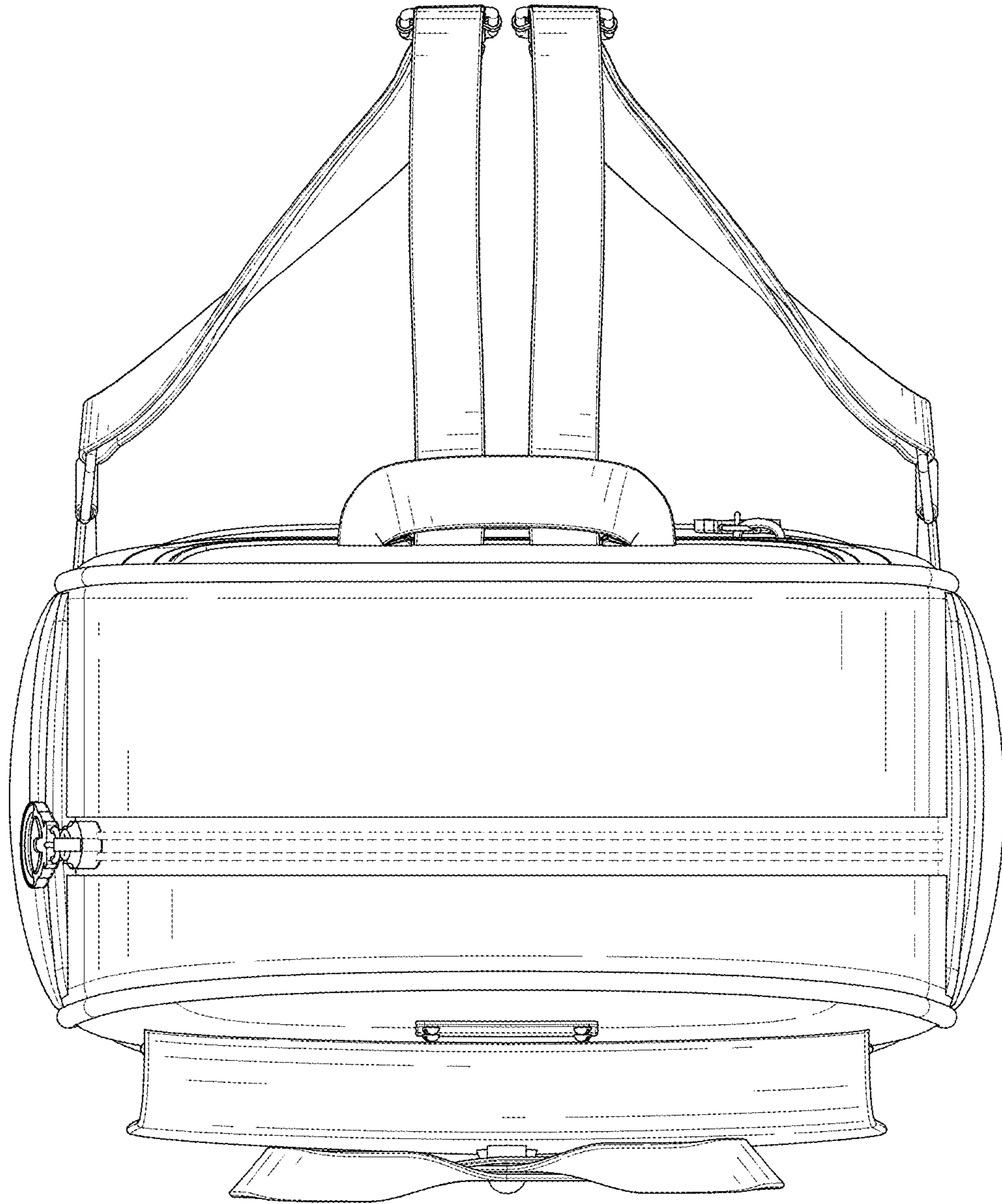


FIG. 7

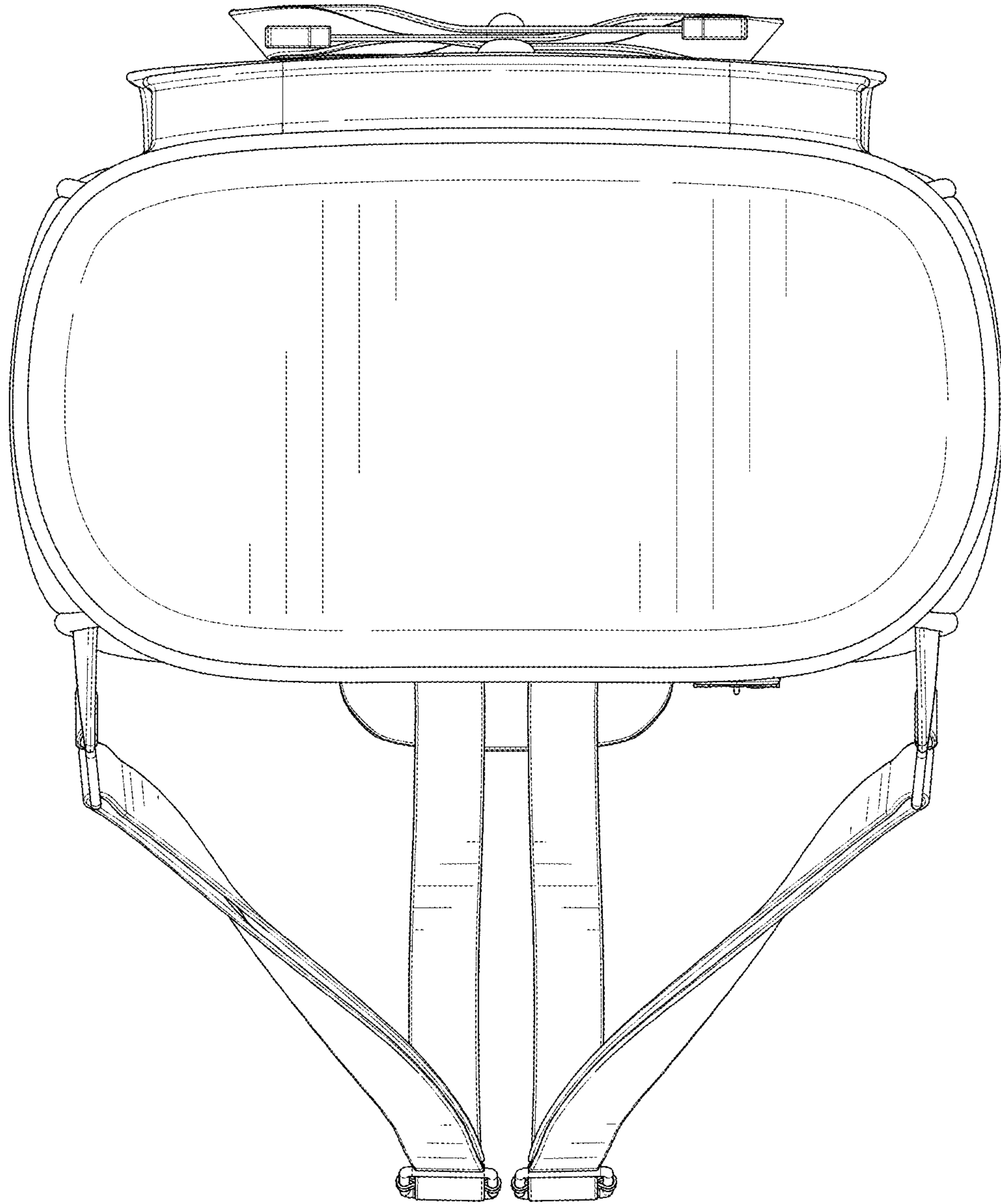


FIG. 8