



US00D894591S

(12) **United States Design Patent**
McMichael

(10) **Patent No.:** **US D894,591 S**

(45) **Date of Patent:** **** Sep. 1, 2020**

(54) **MULTI-RETRACTABLE WAISTBAND
DEVICE**

(71) Applicant: **Susie H. McMichael**, O'Fallon, MO
(US)

(72) Inventor: **Susie H. McMichael**, O'Fallon, MO
(US)

(**) Term: **15 Years**

(21) Appl. No.: **29/691,249**

(22) Filed: **May 15, 2019**

(51) **LOC (12) Cl.** **09-04**

(52) **U.S. Cl.**
USPC **D3/215**

(58) **Field of Classification Search**
USPC D3/215, 229, 203, 207; D8/14, 71, 72,
D8/349, 354, 355, 371, 380, 381, 382,
D8/394, 396, 499
CPC A45F 2005/006; A45F 2005/008; A45F
2200/057; A45F 5/004; A45F 5/021;
A45F 2003/006; A45F 3/14; A63G
11/222; A45C 13/20; A45C 13/30; A45B
2009/025

See application file for complete search history.

(56) **References Cited**

U.S. PATENT DOCUMENTS

D404,562 S * 1/1999 Brown D3/215
D510,659 S * 10/2005 Goradesky D3/218
D548,960 S * 8/2007 Tages D3/218
D609,460 S * 2/2010 Riccardi D3/218
8,919,623 B1 * 12/2014 Bergeron A45F 5/02
224/148.4
D776,920 S * 1/2017 Hernandez D3/229

D800,446 S * 10/2017 Sheikh D3/215
D802,293 S * 11/2017 Sola D3/202
D823,596 S * 7/2018 Grisamore D3/215
D825,178 S * 8/2018 Knoll B67B 7/16
D3/229
D859,952 S * 9/2019 Ulloa D8/71
D880,852 S * 4/2020 Gigliotti D3/229
10,624,442 B2 * 4/2020 Evans A45F 5/021
2010/0294816 A1 * 11/2010 Sentell A45F 5/021
224/148.3
2014/0027477 A1 * 1/2014 deBeers B65D 1/02
224/148.4

* cited by examiner

Primary Examiner — Mark A Goodwin

Assistant Examiner — Benjamin M Weeks

(74) *Attorney, Agent, or Firm* — Grace J. Fishel

(57) **CLAIM**

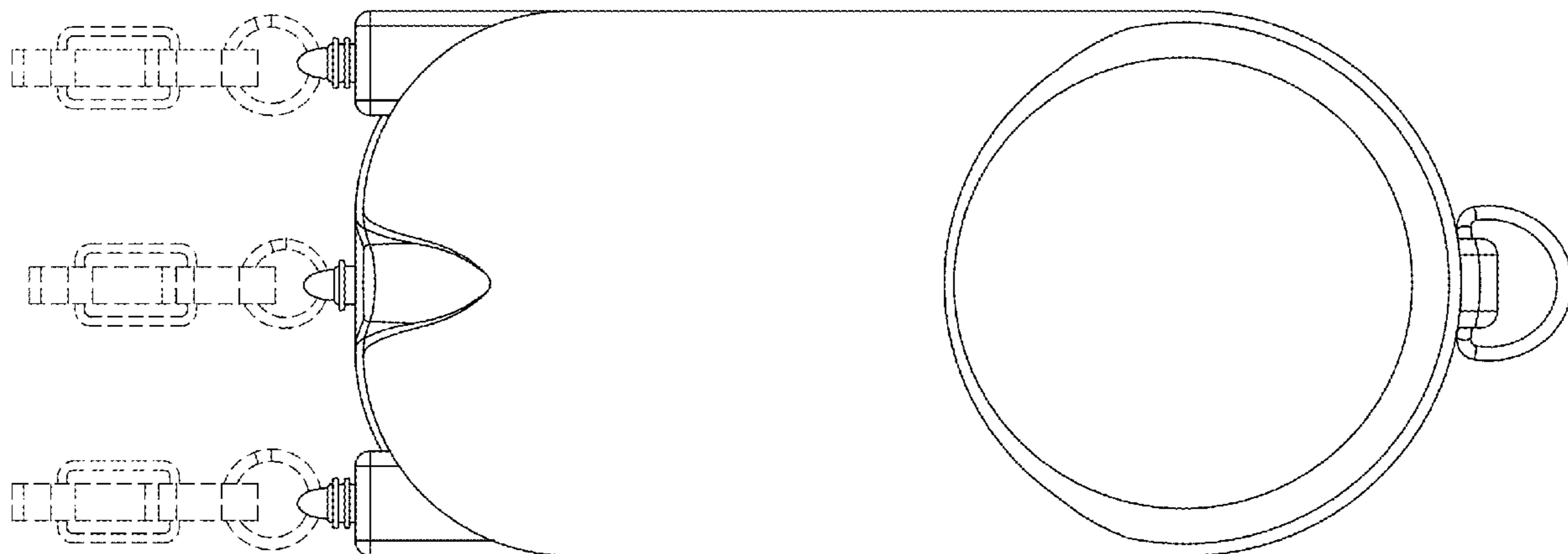
The ornamental design for a multi-retractable waistband device, as shown.

DESCRIPTION

FIG. 1 is a front plan view of a multi-retractable waistband device showing my new design in use;
FIG. 2 is an rear view thereof;
FIG. 3 is a top view thereof;
FIG. 4 is a bottom view thereof;
FIG. 5 is right side view thereof; and,
FIG. 6 is left side view thereof.

The hooks shown in broken lines in FIGS. 1-2 and 4-6 denote the nature and environmental use of a multi-retractable waistband device and are not part of the claimed design.

1 Claim, 6 Drawing Sheets



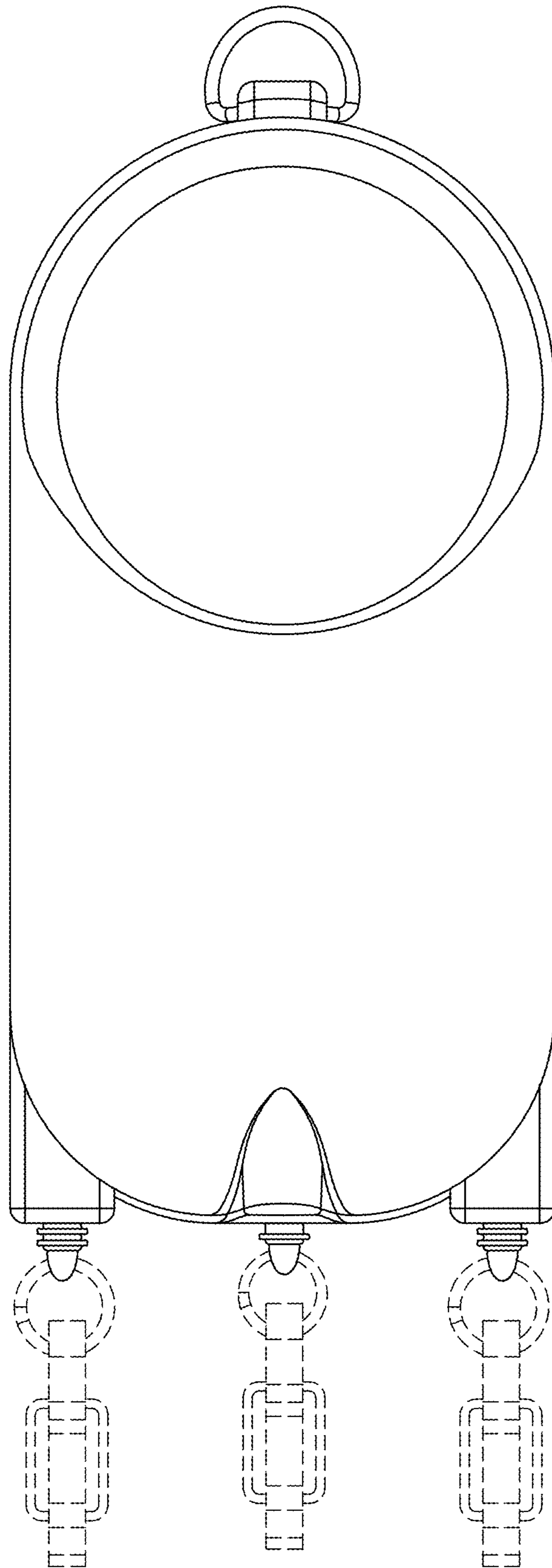


FIG. 1

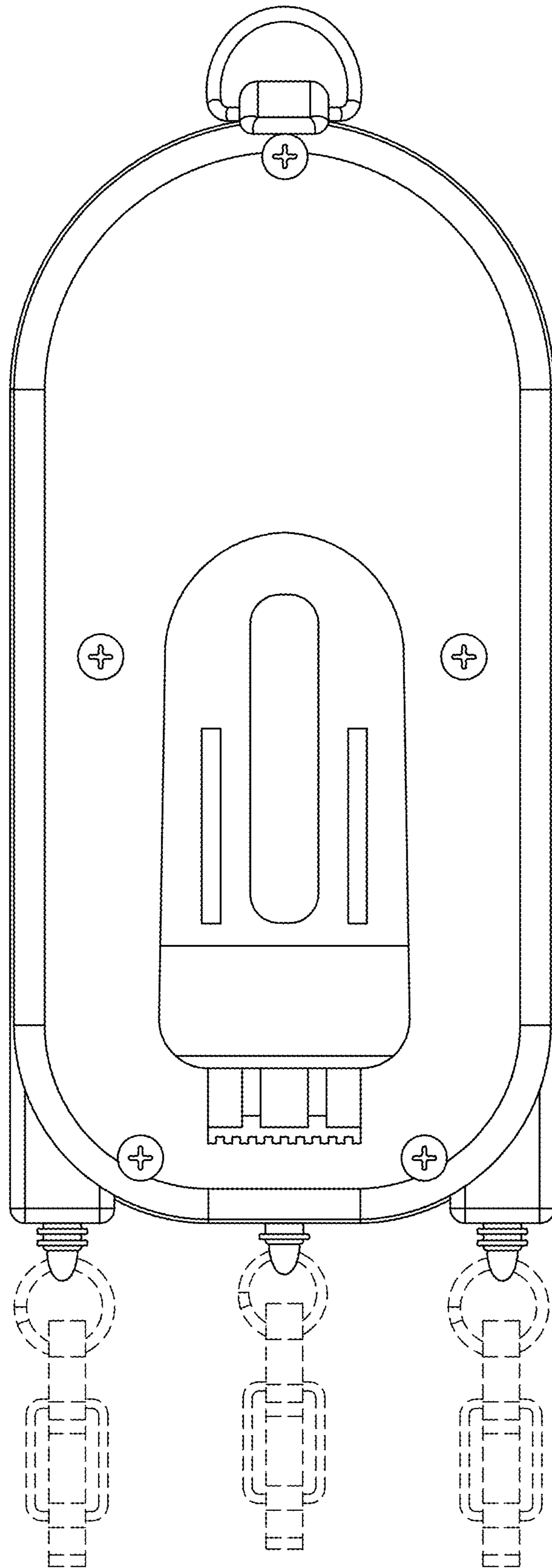


FIG. 2

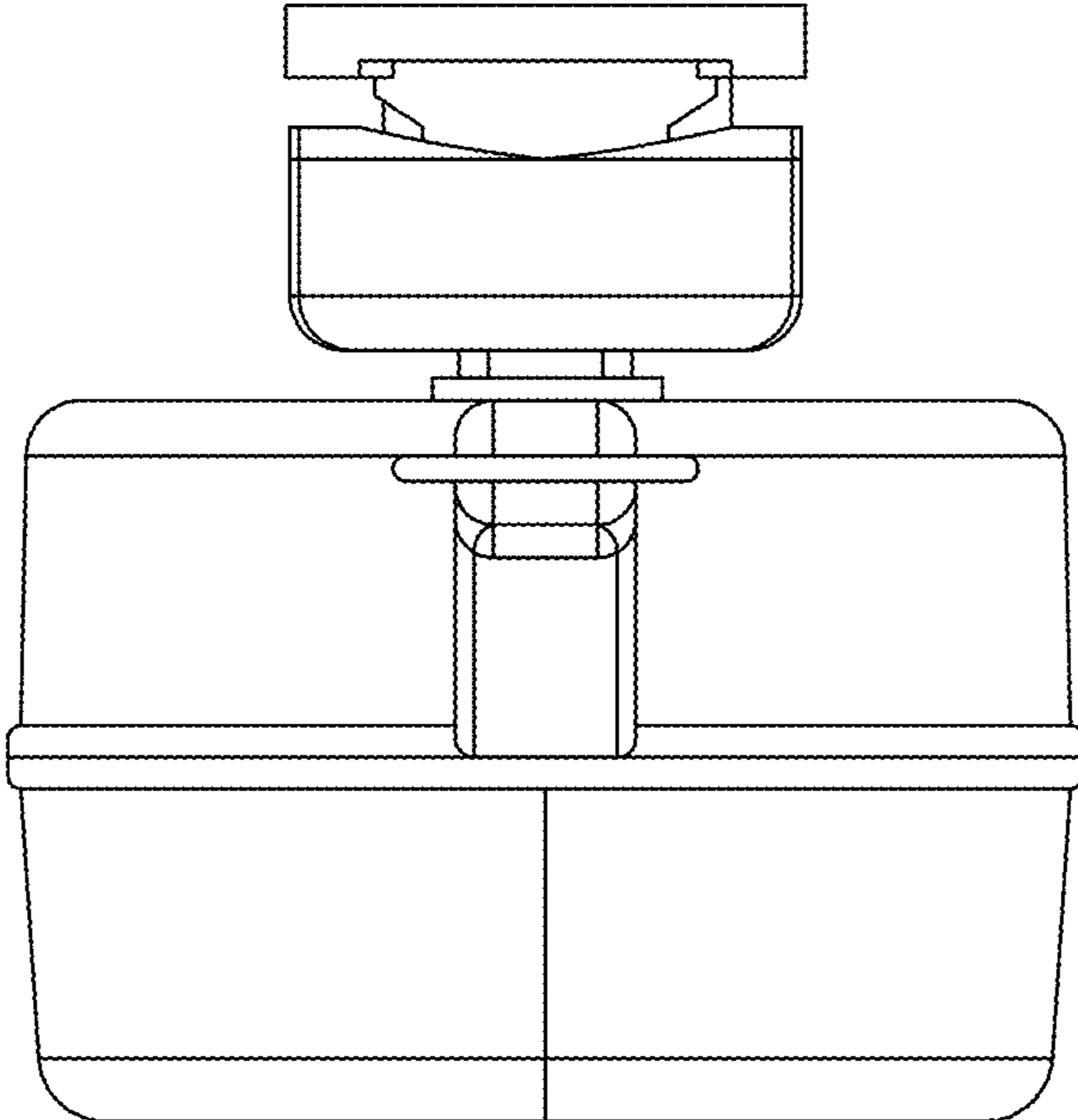


FIG. 3

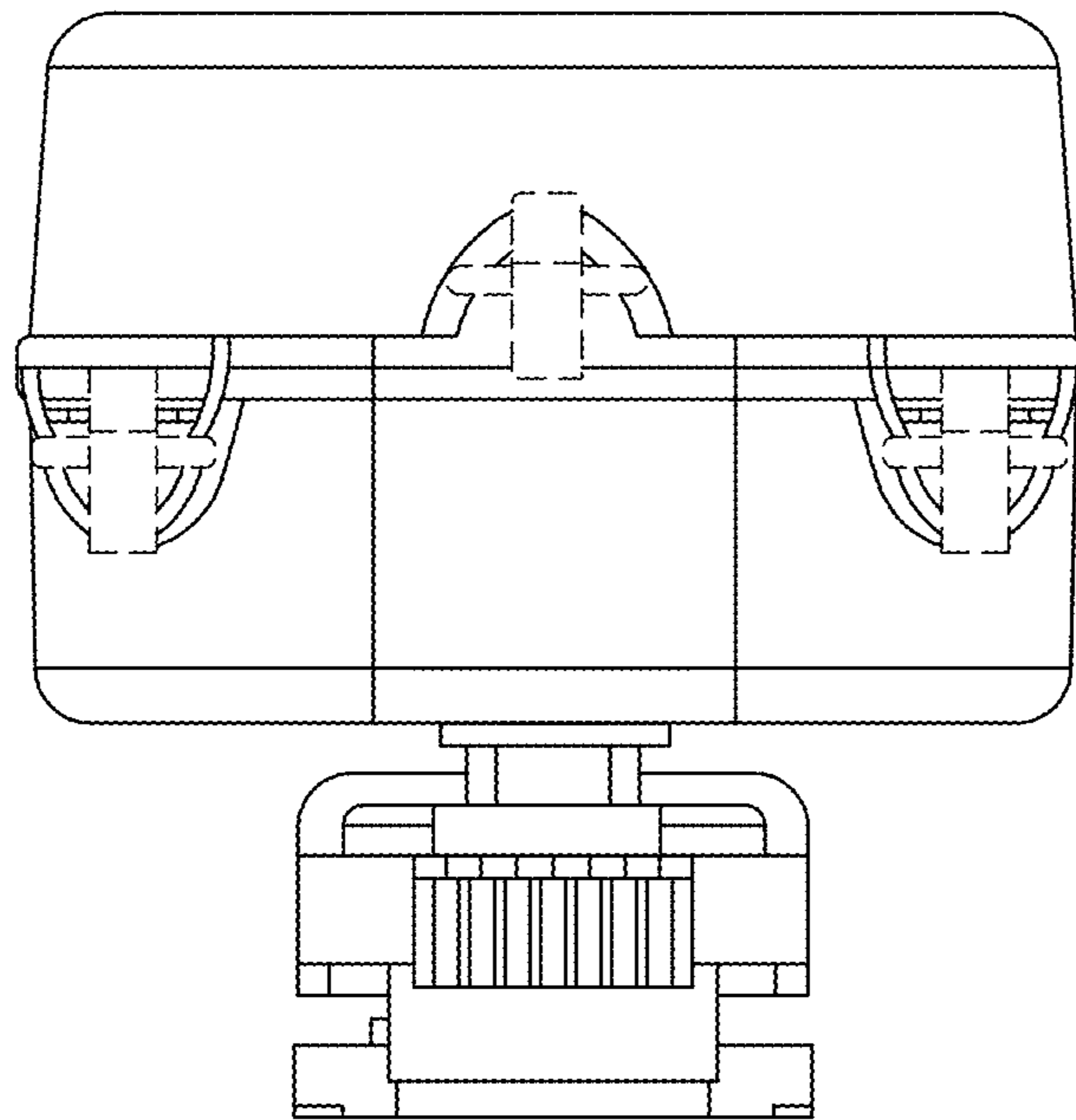


FIG. 4

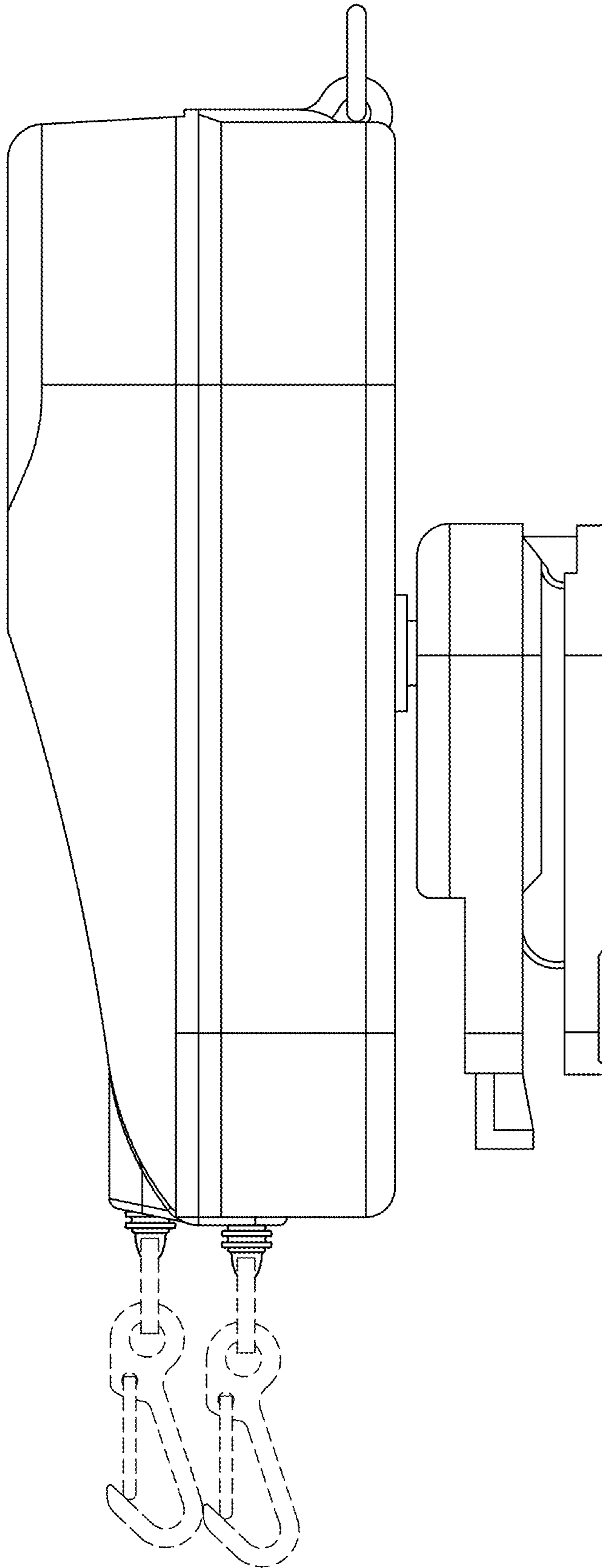


FIG. 5

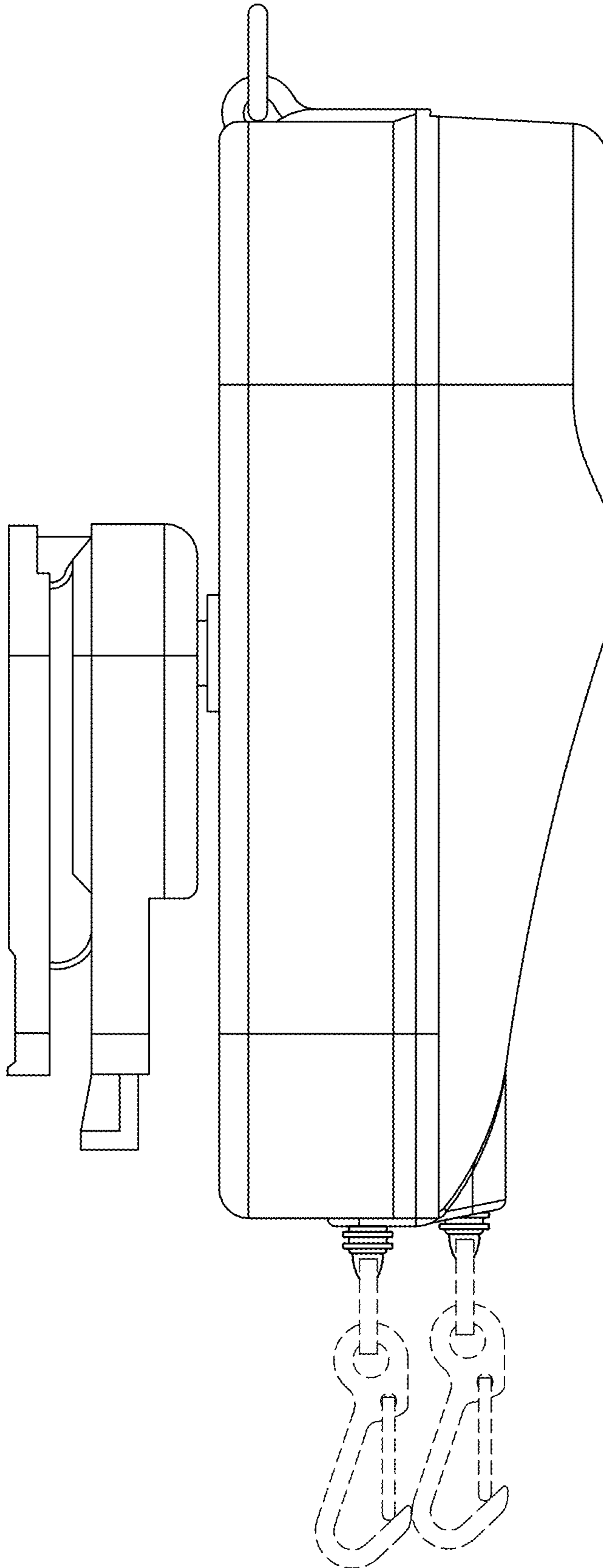


FIG. 6