



US00D894587S

(12) **United States Design Patent**
Sun et al.

(10) **Patent No.:** **US D894,587 S**

(45) **Date of Patent:** **** Sep. 1, 2020**

(54) **TOOLBOX**

(71) Applicant: **CIXI CHENGJIA HARDWARE TOOLS CO., LTD., Zhejiang (CN)**

(72) Inventors: **Chenggang Sun, Zhejiang (CN); Chao Ma, Zhejiang (CN)**

(73) Assignee: **CIXI CHENGJIA HARDWARE TOOLS CO., LTD., Zhejiang (CN)**

(**) Term: **15 Years**

(21) Appl. No.: **29/657,220**

(22) Filed: **Jul. 20, 2018**

(30) **Foreign Application Priority Data**

Apr. 3, 2018 (CN) 2018 3 0129527

(51) **LOC (12) Cl.** **03-01**

(52) **U.S. Cl.**
USPC **D3/201**

(58) **Field of Classification Search**
USPC D3/201, 205, 242, 273, 274, 275, 276,
D3/279, 281, 282, 283, 284, 289, 292,
D3/294, 295, 296, 297, 299, 301, 302,
D3/901, 903, 905
CPC A45C 5/04; A45C 11/00; A45C 11/16
See application file for complete search history.

(56) **References Cited**

U.S. PATENT DOCUMENTS

D427,435 S * 7/2000 Gibson D3/282
D483,180 S * 12/2003 Chen D3/282
D528,797 S * 9/2006 Singh D3/315
D590,155 S * 4/2009 Chen D3/282
D613,506 S * 4/2010 Aglassinger D3/282

D668,871 S * 10/2012 Robinson D3/282
D691,802 S * 10/2013 Lin D3/282
D721,891 S * 2/2015 Ben-Gigi D3/282
D744,751 S * 12/2015 Weng D3/282

* cited by examiner

Primary Examiner — Holly E Thurman

(74) *Attorney, Agent, or Firm* — JCIPRNET

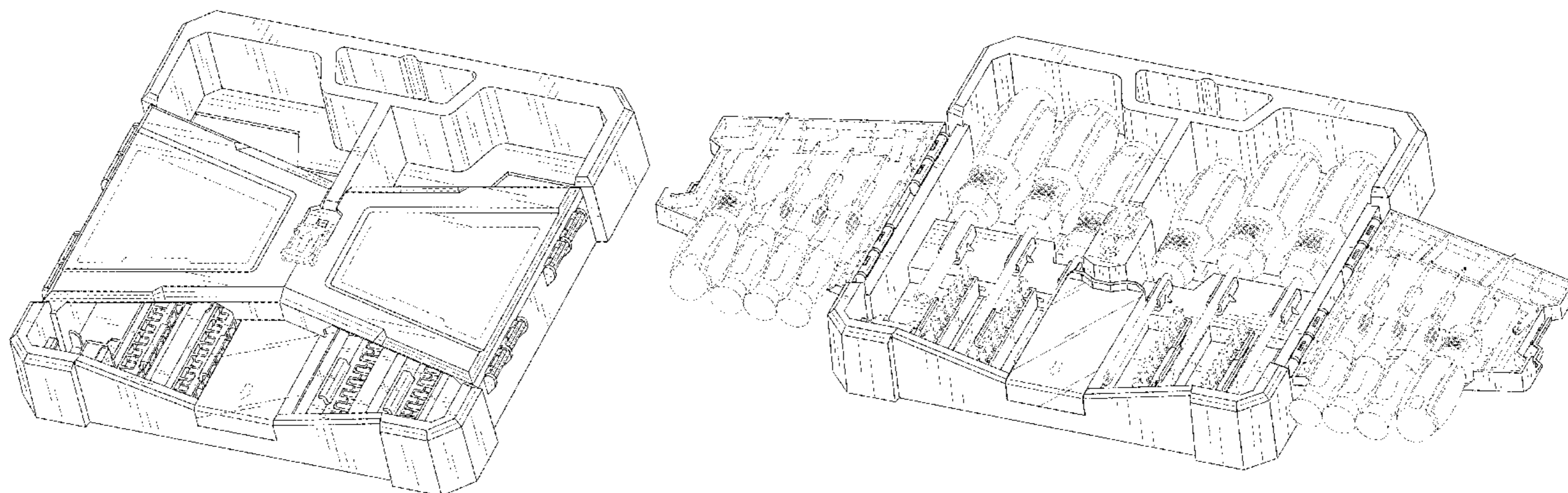
(57) **CLAIM**

The ornamental design for a toolbox, as shown and described.

DESCRIPTION

FIG. 1 is a perspective view of a toolbox showing our new design;
FIG. 2 is a front view thereof;
FIG. 3 is a left side view thereof;
FIG. 4 is a right side view thereof;
FIG. 5 is a top view thereof;
FIG. 6 is a bottom view thereof;
FIG. 7 is a perspective view of the toolbox shown in FIG. 1 in a selectively open position; and,
FIG. 8 is a perspective view of the toolbox shown in FIG. 1 in a selectively open position with tools in the toolbox.
A bottom view thereof is omitted since it does not contain ornamental features. The broken lines shown in FIGS. 1-7 are for the purpose of illustration only and form no part of the claimed design. The broken lines showing of the tools in FIG. 8 illustrate environment and form no part of the claimed design. The broken lines showing portion of the toolbox in FIG. 8 are for the purpose of illustration only and form no part of the claimed design.

1 Claim, 6 Drawing Sheets



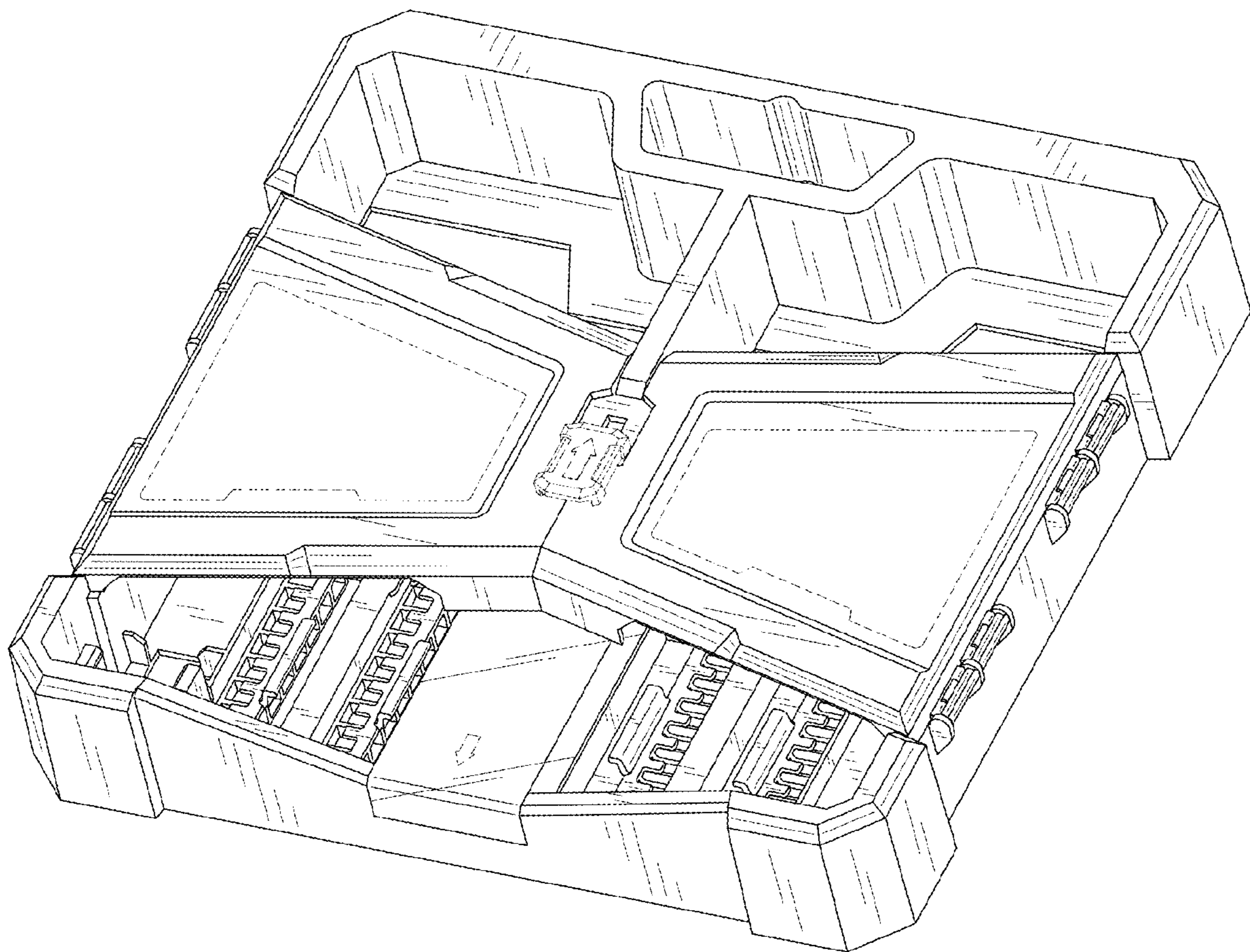


FIG. 1

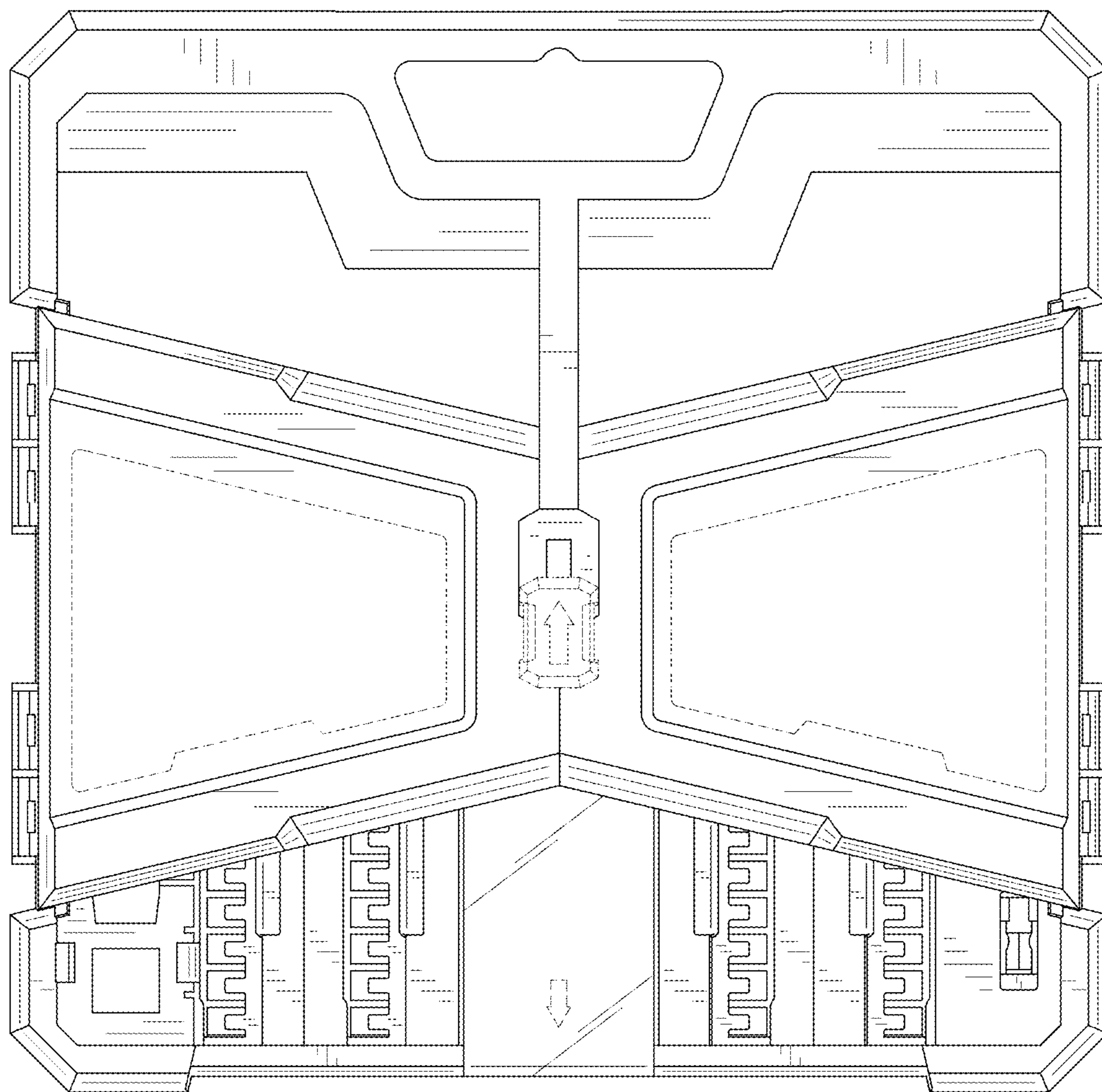


FIG. 2

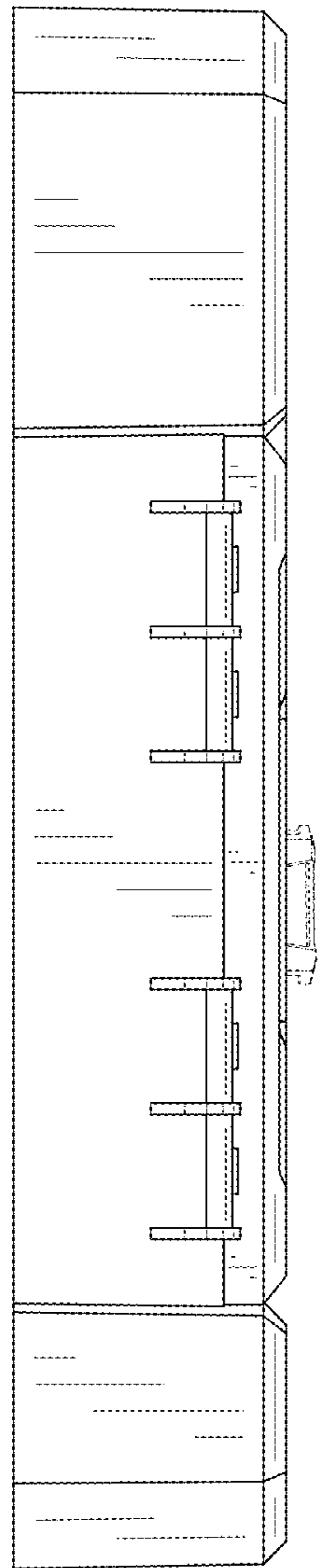


FIG. 3

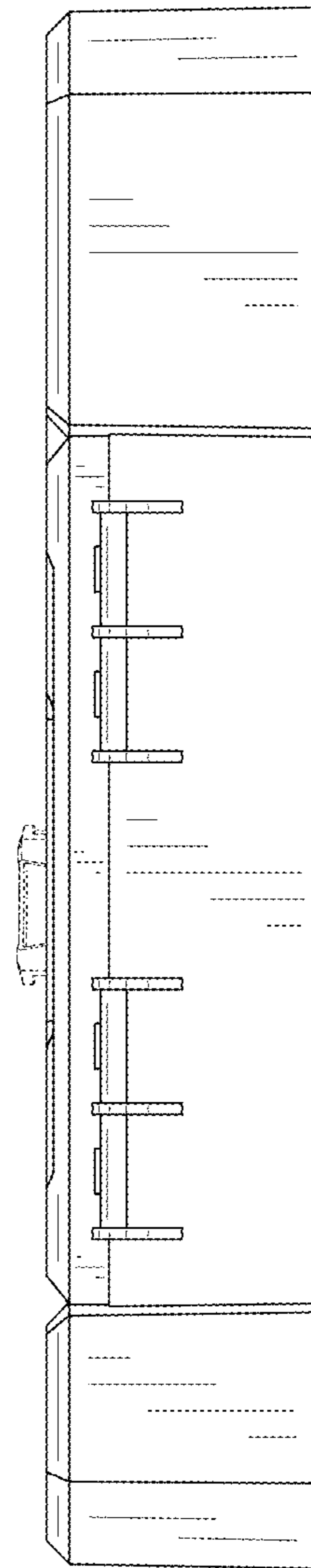


FIG. 4

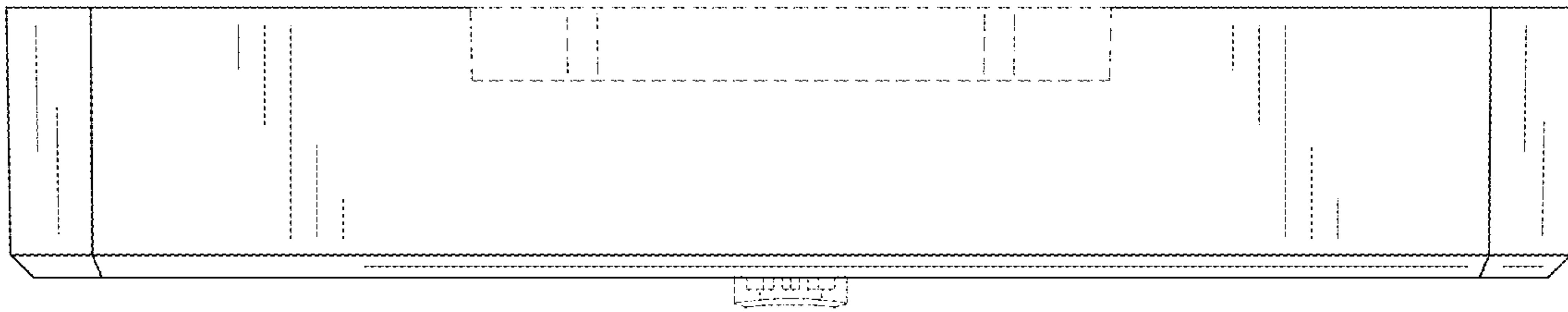


FIG. 5

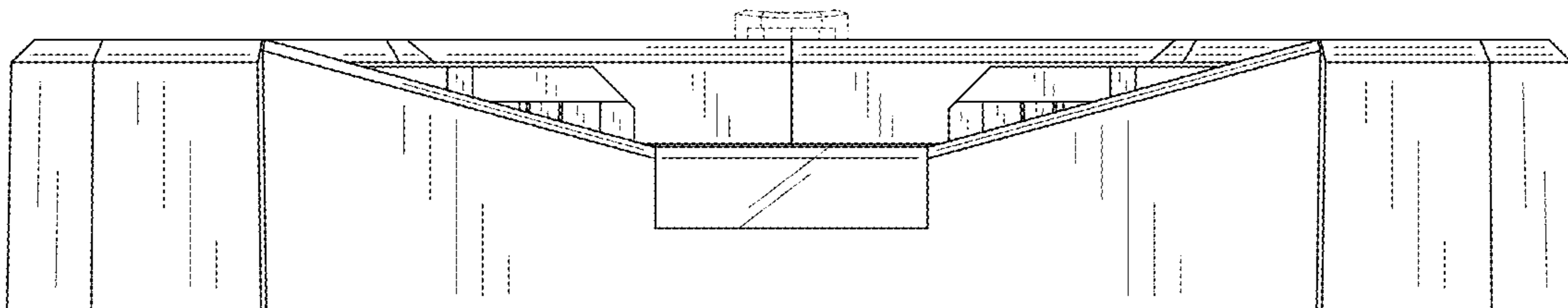


FIG. 6

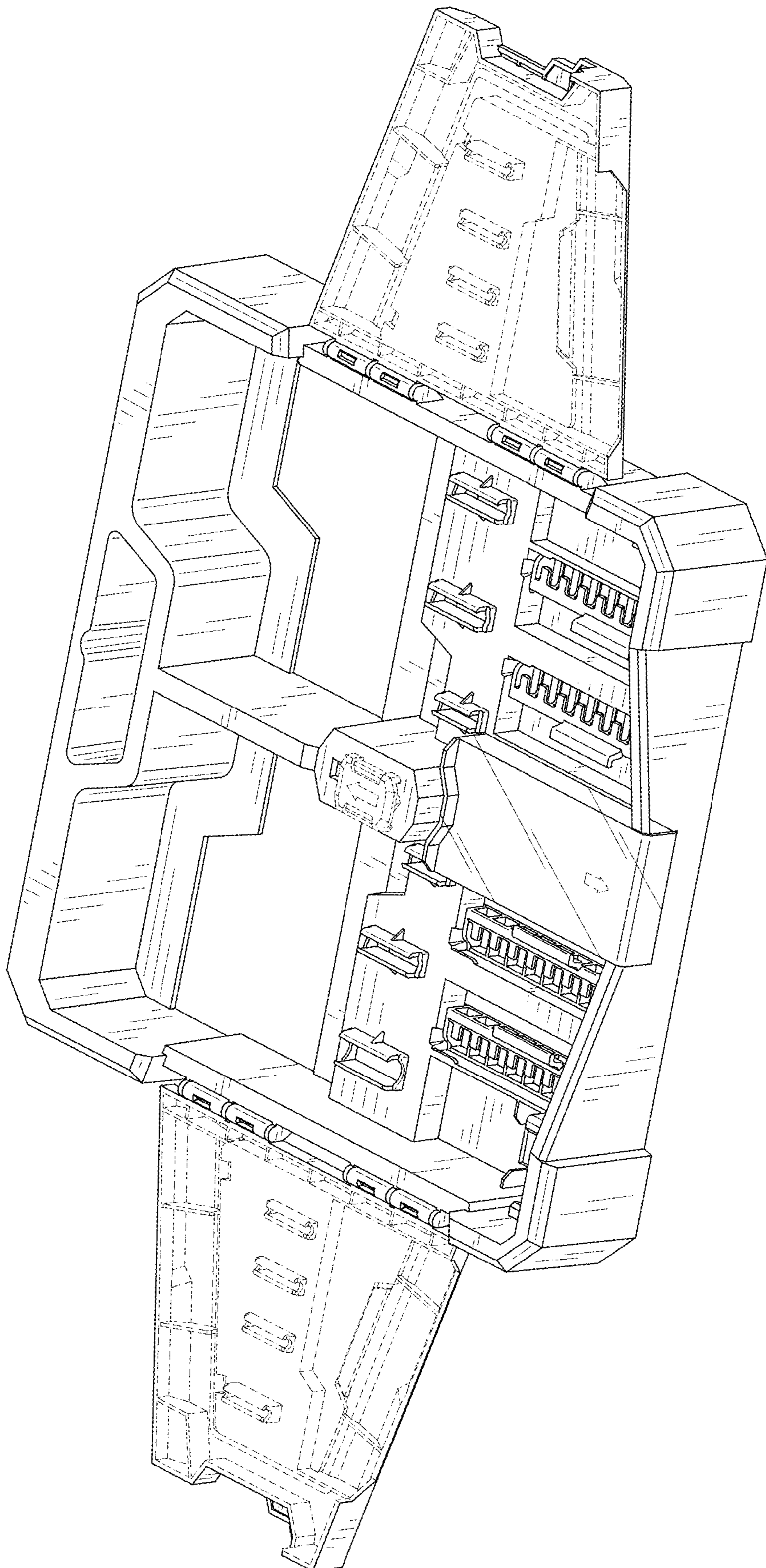


FIG. 7

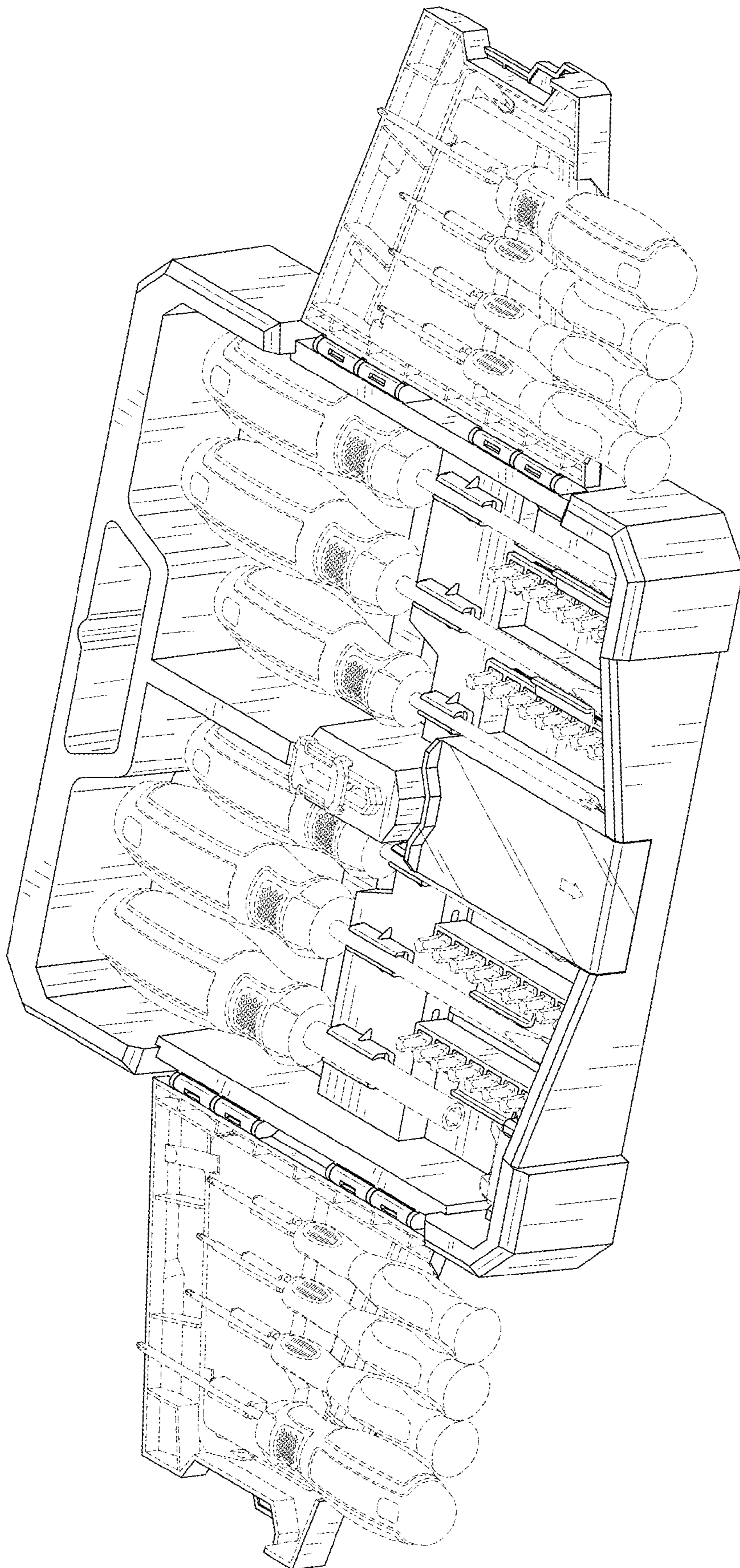


FIG. 8