

US00D894585S

(12) **United States Design Patent**
Ye

(10) **Patent No.:** **US D894,585 S**

(45) **Date of Patent:** **** Sep. 1, 2020**

(54) **INTELLIGENT PORTABLE STRETCHABLE WALKING STICK**

(71) Applicant: **Shanghai Runmer Medical Equipment Co., Ltd, Shanghai (CN)**

(72) Inventor: **Chunxian Ye, Shenzhen (CN)**

(73) Assignee: **Shanghai Runmer Medical Equipment Co., Ltd. (CN)**

(**) Term: **15 Years**

(21) Appl. No.: **29/661,372**

(22) Filed: **Aug. 27, 2018**

(51) **LOC (12) Cl.** **03-03**

(52) **U.S. Cl.**
USPC **D3/7**

(58) **Field of Classification Search**
USPC D3/5, 6, 7, 8, 9, 10, 11, 12, 13, 14, 15, D3/16
CPC A45B 3/00; A45B 5/00; A45B 9/00; A45B 2009/002; A45B 2009/007
See application file for complete search history.

(56) **References Cited**

U.S. PATENT DOCUMENTS

- 2,133,047 A * 10/1938 Sheldon A45B 5/00 297/55
- 2,360,494 A * 10/1944 Helgason G02B 23/08 359/862
- 2,380,437 A * 7/1945 Homrighausen A61H 3/00 297/55
- 2,629,429 A * 2/1953 Baumfeld A47C 9/105 297/58
- 2,771,938 A * 11/1956 Neblich A45B 5/00 248/155.2
- 2,793,680 A * 5/1957 Eben A45B 5/00 248/155.1

- 3,266,839 A * 8/1966 Combs A45B 5/00 297/57
- 3,310,340 A * 3/1967 Brewer A45B 5/00 297/16.1
- D218,508 S * 8/1970 Norman et al. D3/7
- 3,912,209 A * 10/1975 Turpin A45B 5/00 248/155.1
- D284,429 S * 7/1986 Garde D6/335
- D308,439 S * 6/1990 Van Winkle D3/13
- D324,945 S * 3/1992 Pina D3/7
- D325,297 S * 4/1992 Lipscomb D22/117
- 5,411,313 A * 5/1995 Counihan A45B 5/00 135/66
- D396,569 S * 8/1998 Chen D6/335
- 5,871,025 A * 2/1999 Richter A45B 3/00 135/65
- 6,899,388 B1 * 5/2005 Enrique A47C 7/66 297/129
- D540,534 S * 4/2007 Chan D3/7
- D544,201 S * 6/2007 Berl D3/12

(Continued)

Primary Examiner — Steven J Czyz

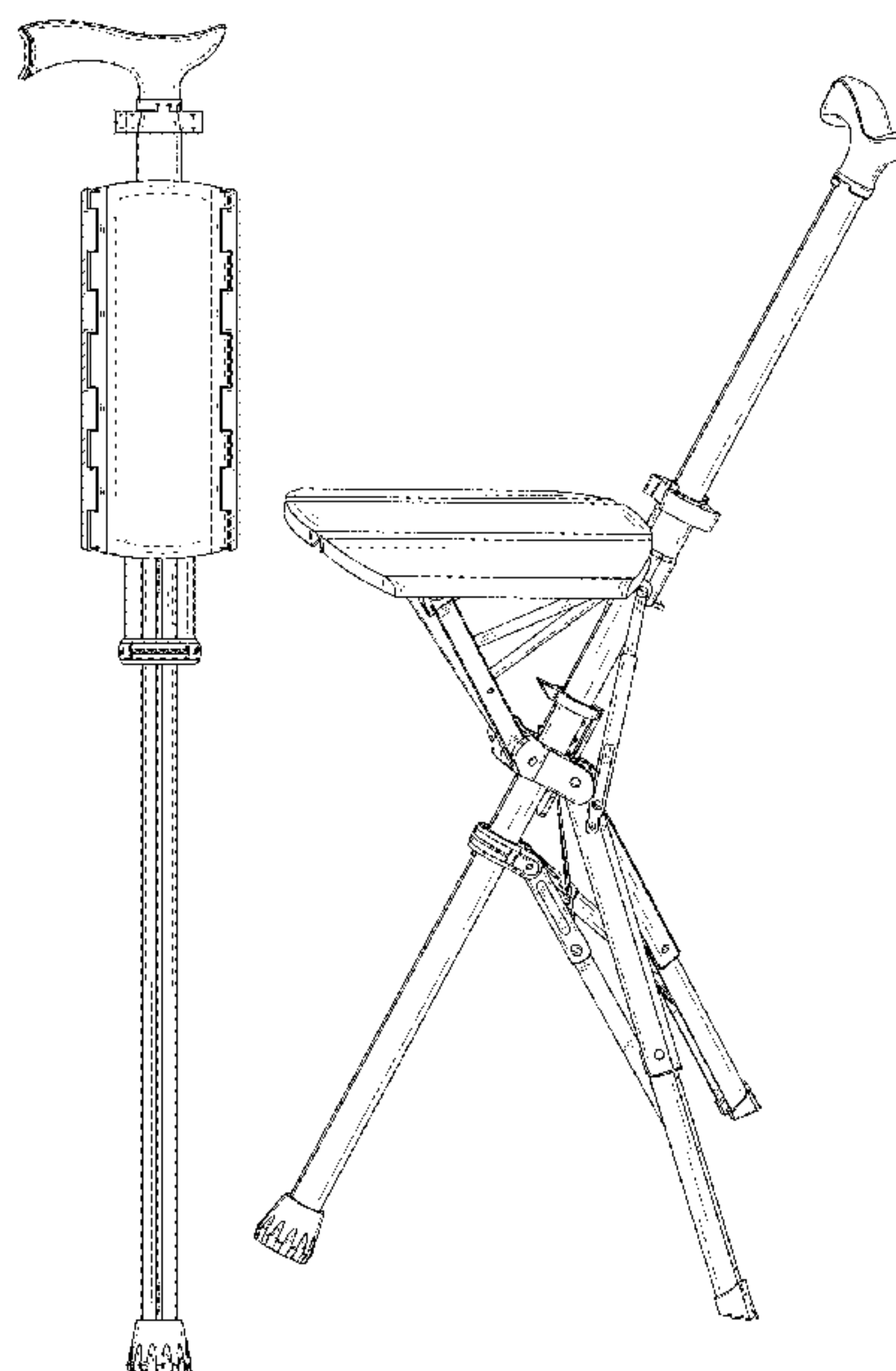
(57) **CLAIM**

The ornamental design for intelligent portable stretchable walking stick, as shown and described.

DESCRIPTION

FIG. 1 is a front view of the intelligent portable stretchable walking stick showing my new design; FIG. 2 is a back view thereof; FIG. 3 is a left side view thereof; FIG. 4 is a right side view thereof; FIG. 5 is a top view thereof; FIG. 6 is a bottom view thereof; FIG. 7 is a perspective view thereof; FIG. 8 is another perspective view thereof; and, FIG. 9 is another perspective view thereof showing the intelligent portable stretchable walking stick in an extended state.

1 Claim, 9 Drawing Sheets



(56)

References Cited

U.S. PATENT DOCUMENTS

D555,350	S *	11/2007	Graves	D3/7
D620,696	S *	8/2010	Alacar, Jr.	D3/7
D627,149	S *	11/2010	Wu	D3/12
D632,069	S *	2/2011	Thiessens	D3/7
D693,565	S *	11/2013	Chan	D3/7
8,876,203	B1 *	11/2014	Haertl	A47C 4/04
					297/118
8,997,766	B2 *	4/2015	Pao	A47C 4/04
					135/66
9,066,584	B2 *	6/2015	Li	A47C 7/66
9,179,746	B2 *	11/2015	Gullo	A47C 9/105
9,357,820	B2 *	6/2016	Pao	A45B 5/00
9,414,655	B2 *	8/2016	Pao	A45B 5/00
9,504,297	B2 *	11/2016	Pao	A47C 4/04
9,622,554	B2 *	4/2017	Green	A45B 9/00
9,681,713	B2 *	6/2017	Pao	A45B 5/00
10,064,462	B2 *	9/2018	Pao	A45B 5/00

* cited by examiner

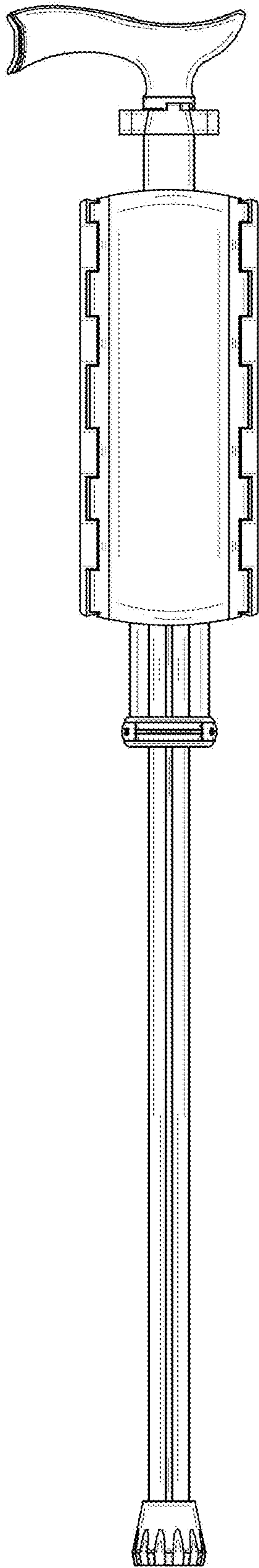


FIG. 1

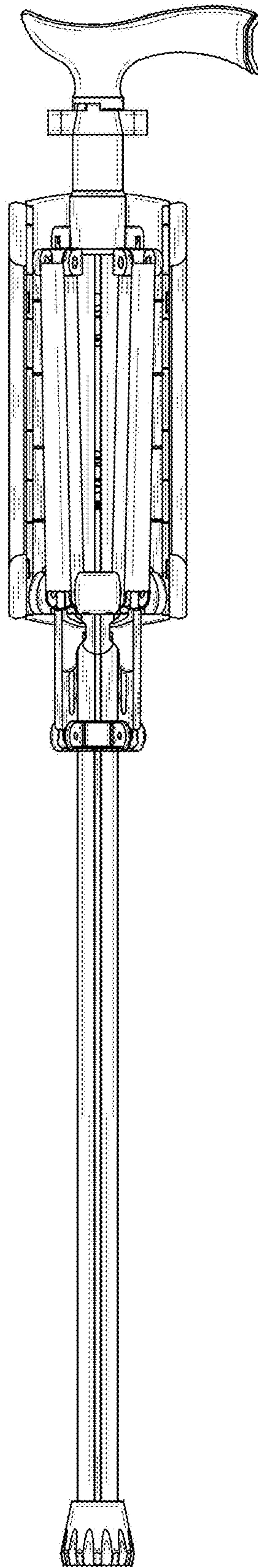


FIG. 2

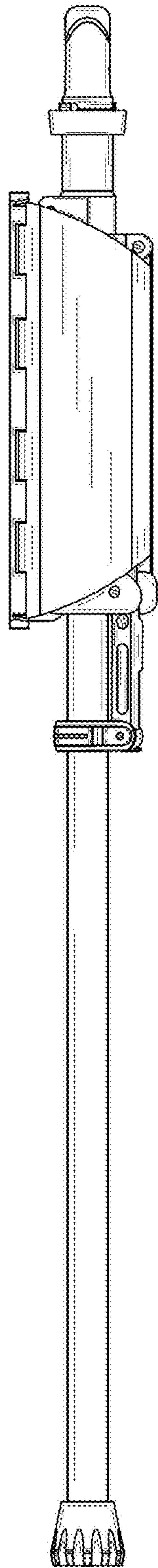


FIG. 3

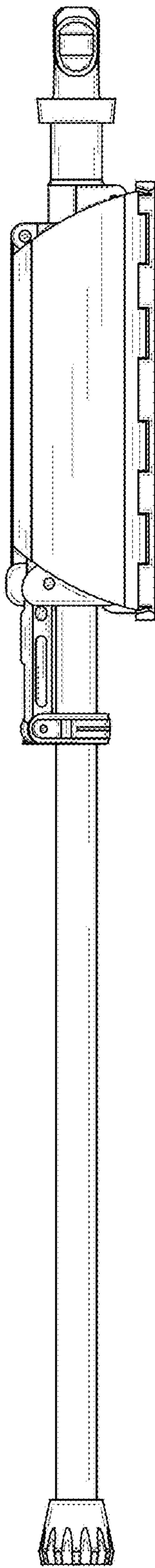


FIG. 4

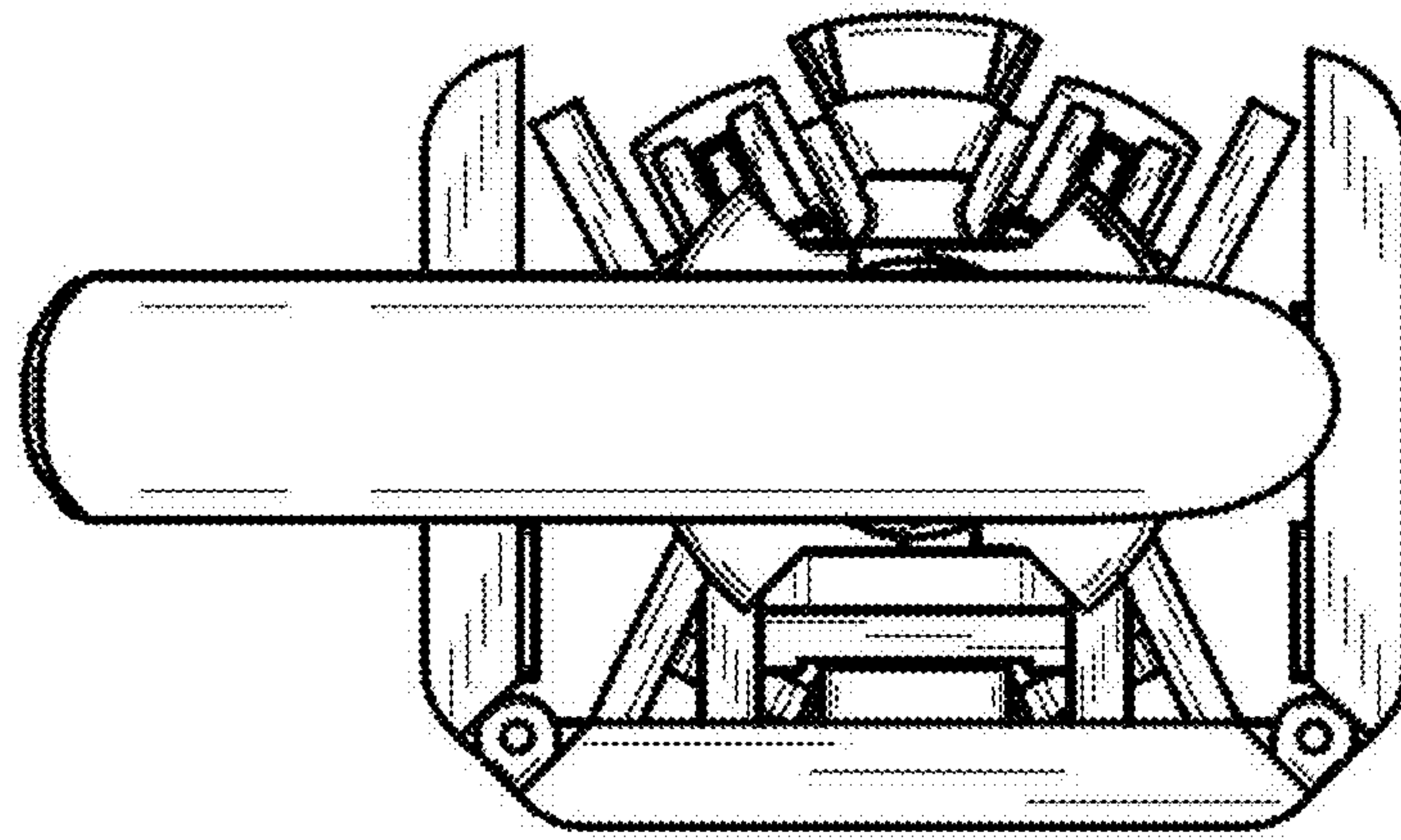


FIG. 5

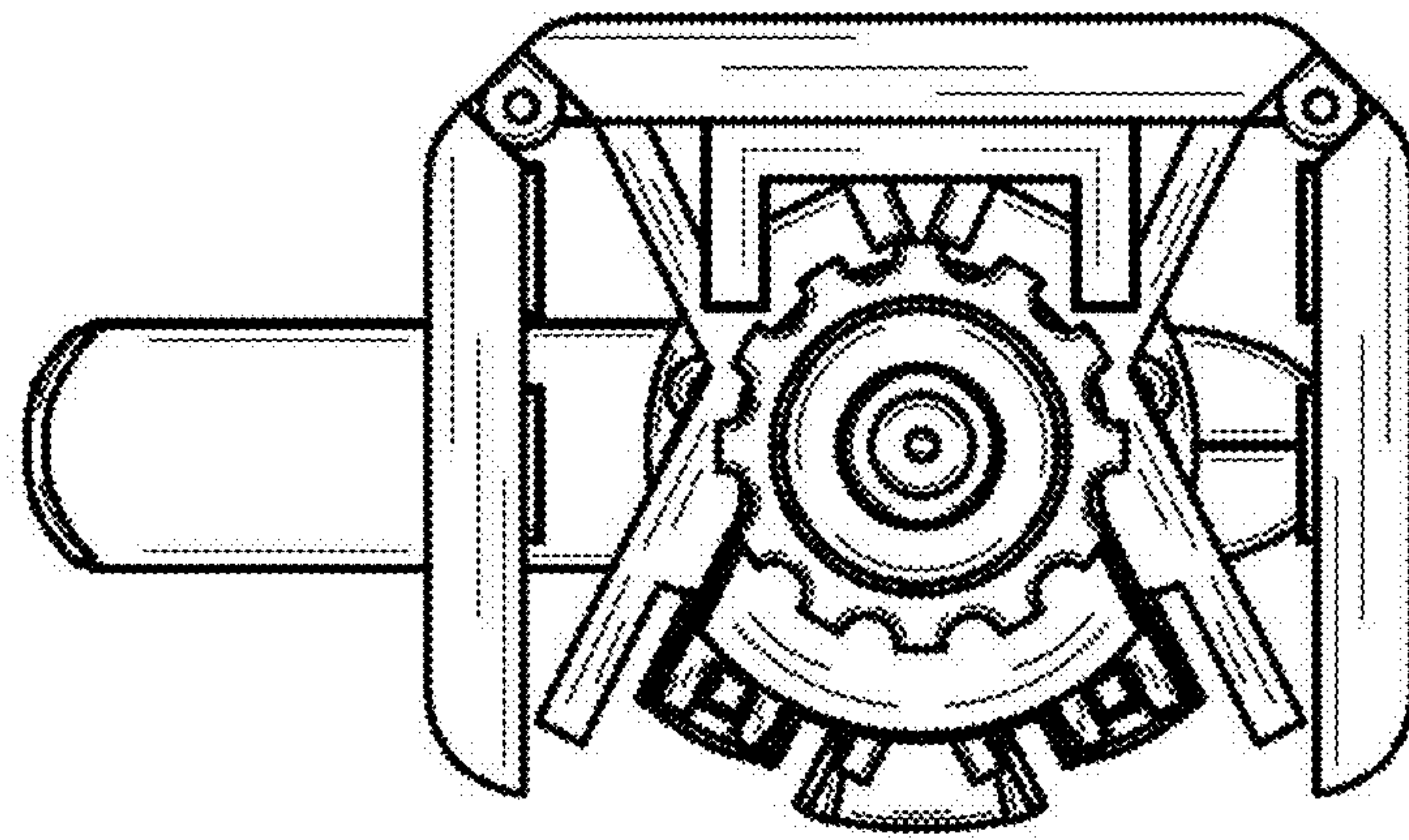


FIG. 6

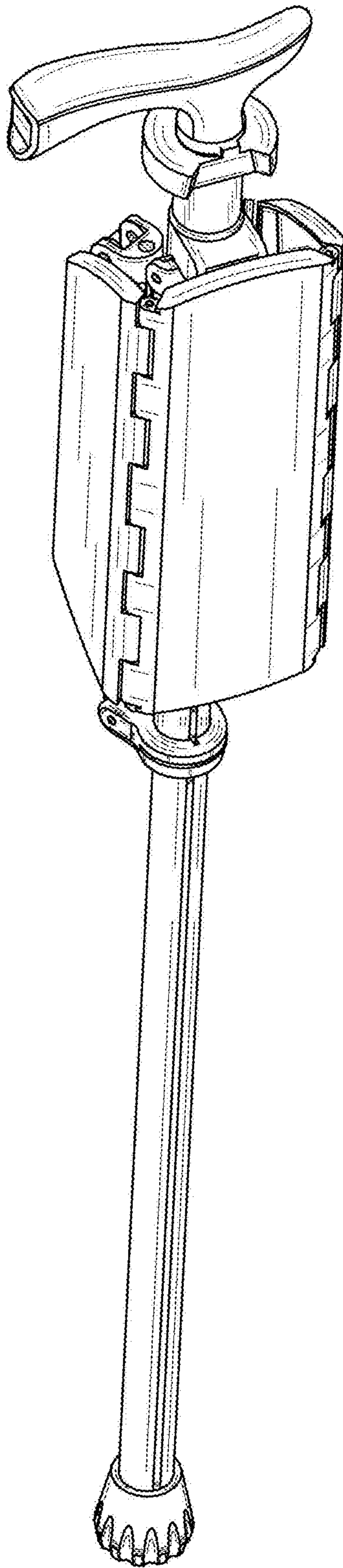


FIG. 7

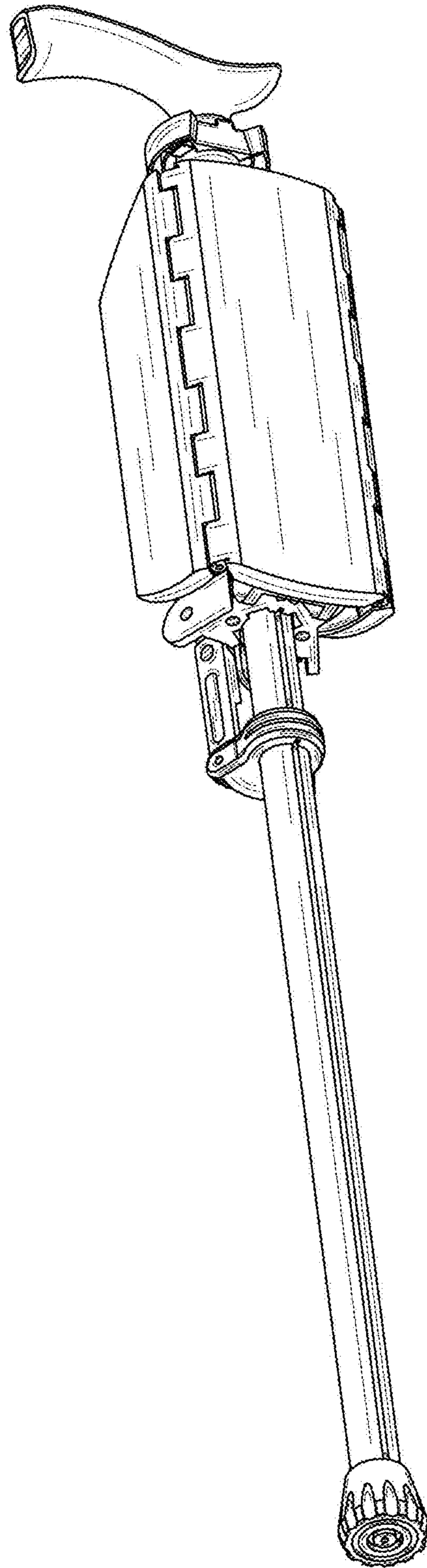


FIG. 8

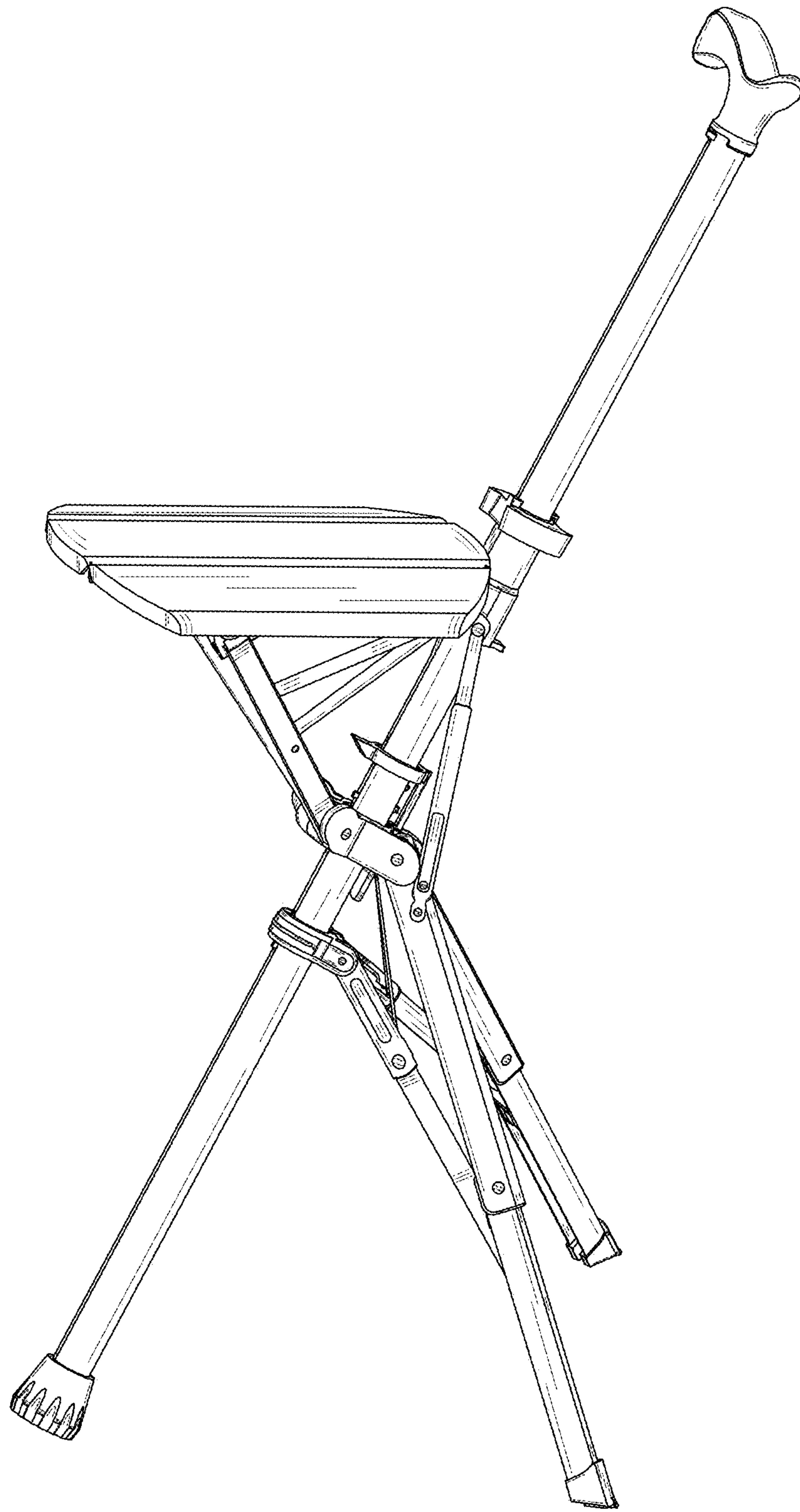


FIG. 9