



US00D894554S

(12) **United States Design Patent** (10) **Patent No.:** **US D894,554 S**
Gerig (45) **Date of Patent:** **** Sep. 1, 2020**

(54) **SHOE**
(71) Applicant: **NIKE, Inc.**, Beaverton, OR (US)
(72) Inventor: **Kristina Gerig**, Portland, OR (US)
(73) Assignee: **NIKE, Inc.**, Beaverton, OR (US)
(**) Term: **15 Years**
(21) Appl. No.: **29/714,967**
(22) Filed: **Nov. 27, 2019**
(51) **LOC (12) Cl.** **02-04**
(52) **U.S. Cl.**
USPC **D2/947**
(58) **Field of Classification Search**
USPC D2/896-900, 909-912, 947-957, 960,
D2/961, 970, 972, 977
CPC ... A43B 15/00; A43B 21/00; A43B 13/00-14;
A43B 13/24-28; A43B 13/37; A43B
13/38; A43B 13/41
See application file for complete search history.

D363,372 S 10/1995 Hatfield et al.
D366,756 S 2/1996 Forland et al.
D384,193 S 9/1997 Avar
D386,589 S 11/1997 Cass
D404,896 S * 2/1999 Cooper D2/947
D430,723 S 9/2000 Kim
D432,292 S 10/2000 Kim
D434,547 S 12/2000 Kim
D437,674 S 2/2001 Santa et al.
D495,127 S 8/2004 Marvin et al.
D498,901 S 11/2004 Hawker et al.
D500,195 S * 12/2004 Matis D2/969
D516,783 S 3/2006 Chu

(Continued)

OTHER PUBLICATIONS

“Nike Air Force 270 “Carnivore” Arriving to Retailers”; Sneaker Bar Detroit; retrieved Nov. 14, 2019; published May 18, 2018; URL: <<https://sneakerbardetroit.com/nike-air-force-270-carnivore/>>.

(Continued)

Primary Examiner — Rashida C. Walshon
(74) *Attorney, Agent, or Firm* — Banner & Witcoff, Ltd.

(56) **References Cited**

U.S. PATENT DOCUMENTS

D263,643 S 4/1982 Vermonet
D265,144 S 6/1982 Vermonet
D265,435 S 7/1982 Vermonet
D266,285 S 9/1982 Vermonet
D279,232 S 6/1985 Gamm
D296,152 S * 6/1988 Selbiger D2/954
D309,669 S 8/1990 Arai
D316,626 S 5/1991 Hatfield
D324,131 S * 2/1992 Lucas D2/977
D328,385 S 8/1992 Hatfield
D330,797 S 11/1992 Lucas
D332,344 S 1/1993 Hatfield et al.
D336,771 S 6/1993 Hatfield et al.
D347,106 S 5/1994 Sell, Jr. et al.
D349,808 S 8/1994 Passke et al.
D350,016 S 8/1994 Passke et al.

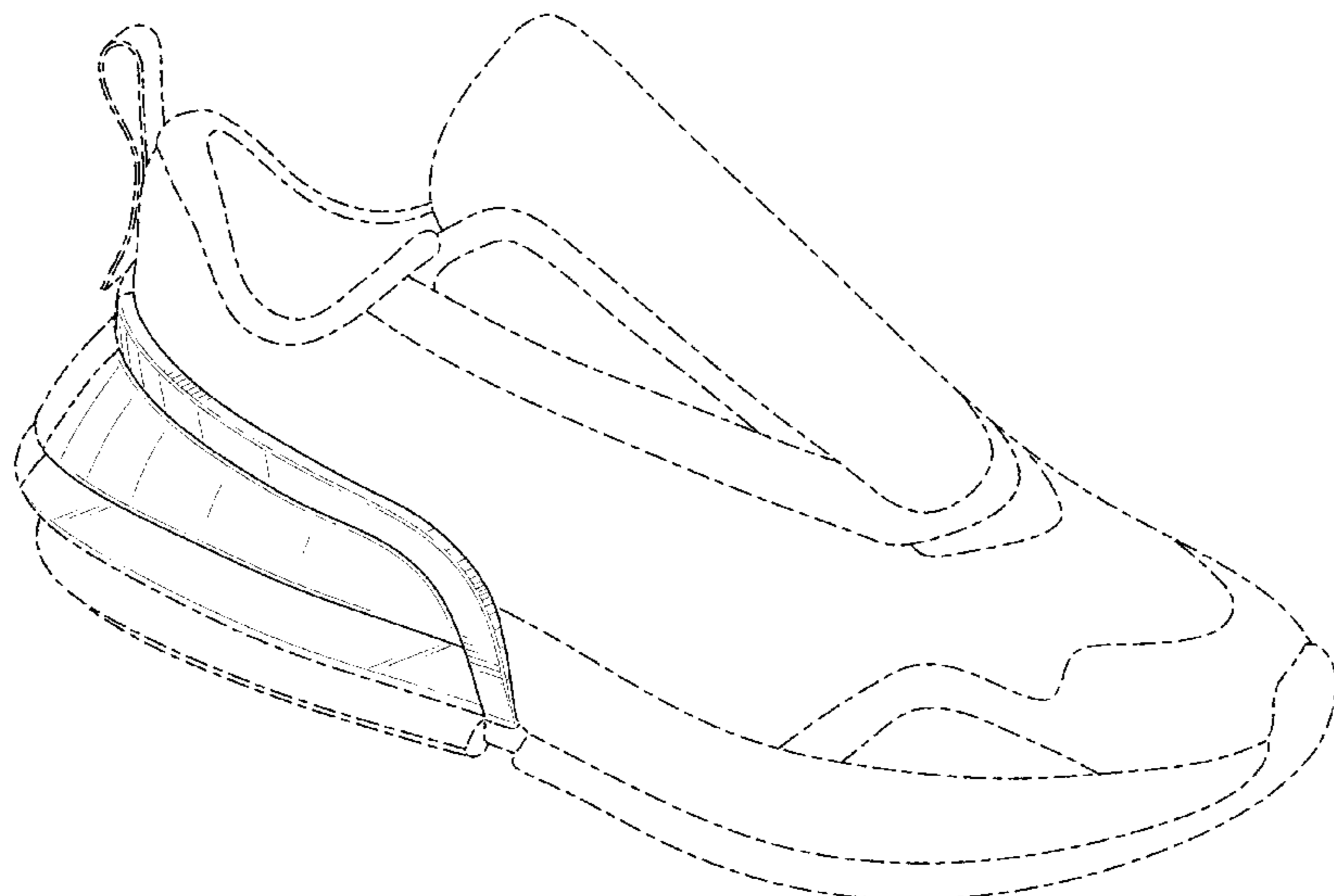
(57) **CLAIM**

The ornamental design for a shoe, as shown and described.

DESCRIPTION

FIG. 1 is a front perspective view of a shoe showing my new design;
FIG. 2 is a side view thereof;
FIG. 3 is a rear perspective view thereof; and,
FIG. 4 is a rear view thereof.
The broken lines immediately adjacent to the shaded area define the bounds of the claimed design and form no part thereof. The broken lines depicting the remainder of the shoe form no part of the claimed design.

1 Claim, 4 Drawing Sheets



(56)

References Cited

U.S. PATENT DOCUMENTS

D534,345 S 1/2007 Dojan et al.
 D534,346 S 1/2007 Dojan et al.
 D542,014 S 5/2007 McClaskie
 D554,831 S 11/2007 Lotti
 D577,478 S * 9/2008 Peveto D2/896
 D595,492 S 7/2009 Mayden
 D613,043 S 4/2010 Walton
 D624,291 S * 9/2010 Henderson D2/946
 D634,536 S * 3/2011 Lee D2/946
 D643,189 S 8/2011 Teteriatnikov
 D655,483 S 3/2012 Portzline
 D671,306 S 11/2012 Tzenos
 D672,123 S 12/2012 Williams, Jr.
 D690,088 S 9/2013 Hardman
 D692,217 S 10/2013 Fogg
 D699,929 S 2/2014 Restrepo et al.
 D701,680 S 4/2014 Della Valle et al.
 D702,424 S 4/2014 Miner
 D713,625 S 9/2014 Raasch
 D713,626 S 9/2014 Raasch
 D735,976 S 8/2015 Siegel
 D746,560 S 1/2016 Verfl
 D747,083 S 1/2016 Verfl
 D761,526 S 7/2016 Siegel
 D768,969 S 10/2016 Boys
 D770,740 S 11/2016 Teteriatnikov
 D783,246 S 4/2017 Chang
 D783,959 S 4/2017 Chang
 D789,051 S 6/2017 Kuerbis
 D792,685 S 7/2017 Parrett
 D794,287 S 8/2017 Raasch
 D799,800 S 10/2017 Engel
 D799,801 S 10/2017 Da Costa Pereira Machado
 D802,266 S 11/2017 Hardman
 D808,629 S 1/2018 Parrett et al.
 D817,611 S * 5/2018 Small D2/947
 D840,135 S 2/2019 Dombrow
 D869,832 S 6/2019 Pauk
 D858,962 S 9/2019 Small et al.
 D859,793 S 9/2019 Vasyli et al.
 D860,592 S 9/2019 Mitek et al.
 D860,598 S 9/2019 Small et al.
 D860,599 S 9/2019 Small et al.
 D860,600 S 9/2019 Small et al.
 D860,601 S 9/2019 Small et al.
 D860,602 S 9/2019 Small et al.
 D860,603 S 9/2019 Small et al.
 D860,604 S 9/2019 Small et al.
 D860,605 S 9/2019 Small et al.
 D860,606 S 9/2019 Small et al.
 D860,607 S 9/2019 Small et al.
 D860,608 S 9/2019 Small et al.
 D860,609 S 9/2019 Small et al.
 D860,610 S 9/2019 Small et al.
 D860,611 S 9/2019 Small et al.

D862,057 S 10/2019 Small et al.
 D862,853 S * 10/2019 Gerig D2/947
 D863,736 S 10/2019 Della Valle et al.
 D869,131 S 12/2019 Raasch
 D874,104 S * 2/2020 Gerig D2/947
 D879,425 S 3/2020 Raasch
 D882,909 S * 5/2020 Small D2/902

OTHER PUBLICATIONS

“The Nike Air Max 270 Gets The “Have a Nike Day” Spirit”; Sneaker News; retrieved Nov. 14, 2019; published Feb. 4, 2019; URL: <<https://sneakernews.com/2019/02/04/nike-air-max-270-have-a-nike-day-ci2309-001-release-info/>>.
 “A Mowabb-Style Colorway Comes to The Air Max 270 Bowfin”; Sneaker News; retrieved Nov. 14, 2019; published Nov. 10, 2019; URL: <<https://sneakernews.com/2018/11/10/nike-air-max-270-bowfin-aj7200-201-release-info/>>.
 Nike Footwear Catalog, 1997 Spring Footwear, p. 152, published Jun. 1996, NIKE, Inc., USA.
 Nike Footwear Catalog, 2001 Spring Men’s and Women’s Footwear 2, p. 3, published Jun. 2000, NIKE, Inc., USA.
 Nike Footwear Catalog, 2001 Spring Men’s and Women’s Footwear 2, p. 12, published Jun. 2000, NIKE, Inc., USA.
 Nike Footwear Catalog, 2000 Fall: Men’s and Women’s Footwear (blue cover), p. 32, published Nov. 1999, NIKE, Inc., USA.
 Nike Footwear Catalog, 2001 Spring Men’s and Women’s Footwear 2, p. 38, published Jun. 2000, NIKE, Inc., USA.
 Nike Footwear Catalog, 2005 Fall Footwear, p. 84, published Nov. 2004, NIKE, Inc., USA.
 Nike Footwear Catalog, 2010 Fall Footwear Sportswear Sports Inspired, p. 14, published Nov. 2009, NIKE, Inc., USA.
 Nike Footwear Catalog, 2020 Spring Athletic Specialty_Sportswear, p. 1, published date unknown, but prior to the filing date of the present application, NIKE, Inc., USA.
 Nike Footwear Catalog, 1997 Fall Footwear, p. 161, published Dec. 1996, NIKE, Inc., USA.
 Nike Footwear Catalog, 1999 Late Spring: Men’s and Women’s Footwear, p. M41, published Sep. 1998, NIKE, Inc., USA.
 Nike Footwear Catalog, 1996 Fall Footwear, p. 141, published Dec. 1995, NIKE, Inc., USA.
 Nike Footwear Catalog, 2018 Summer Sportswear, p. 93, published date unknown, but prior to the filing date of the present application, NIKE, Inc., USA.
 Nike Footwear Catalog, 2017 Spring Department Stores Footwear Better, p. 19, published May 2016, NIKE, Inc., USA.
 Nike Footwear Catalog, 1999 Holiday Men’s and Women’s Footwear, p. M48, published Mar. 1999, NIKE, Inc., USA.
 Nike Footwear Catalog, 2002 Fall Men’s and Women’s Footwear, p. 32, published Nov. 2001, NIKE, Inc., USA.
 Nike Footwear Catalog, 2007 Spring Footwear, p. 23, published Jun. 2006, NIKE, Inc., USA.

* cited by examiner

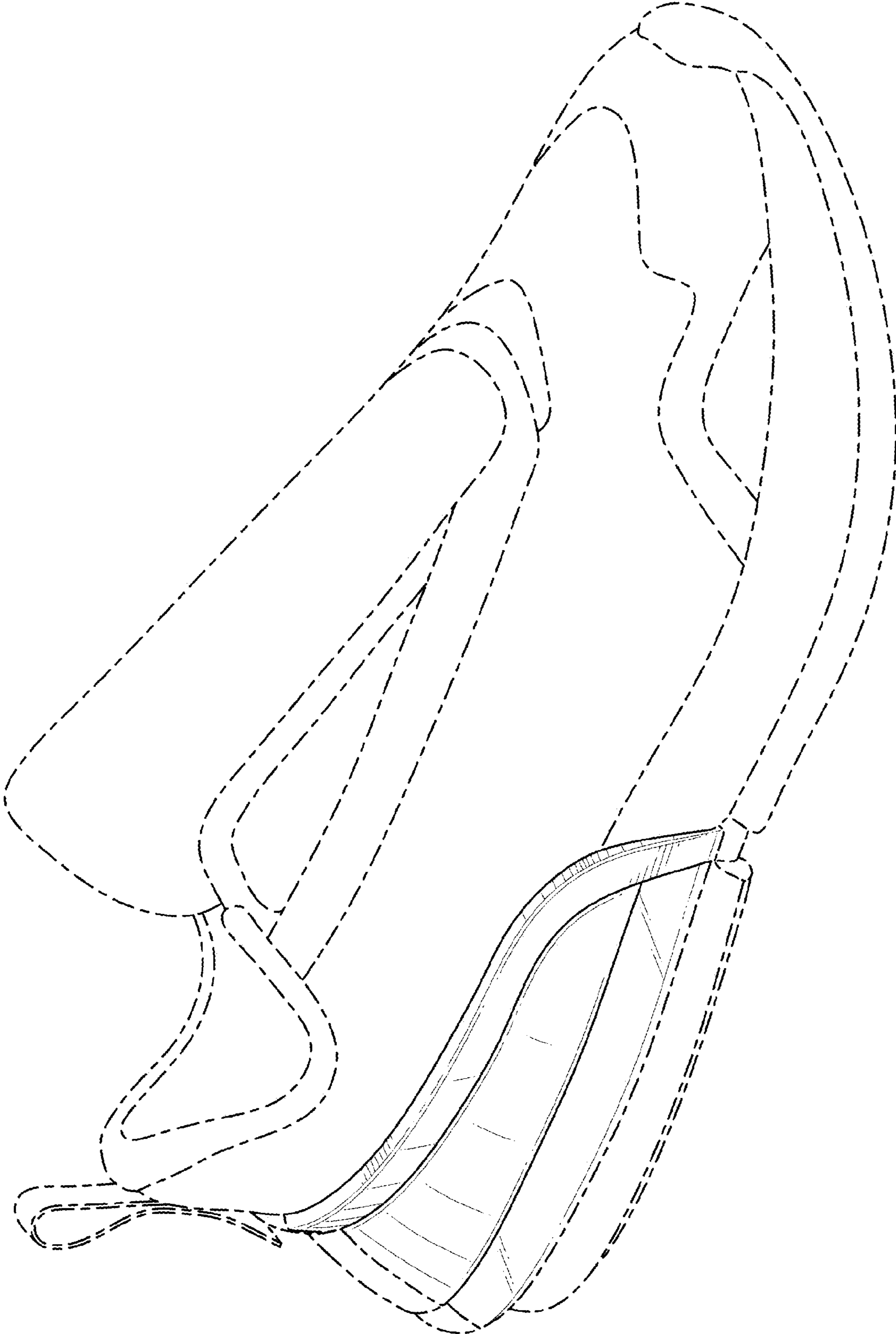


FIG. 1

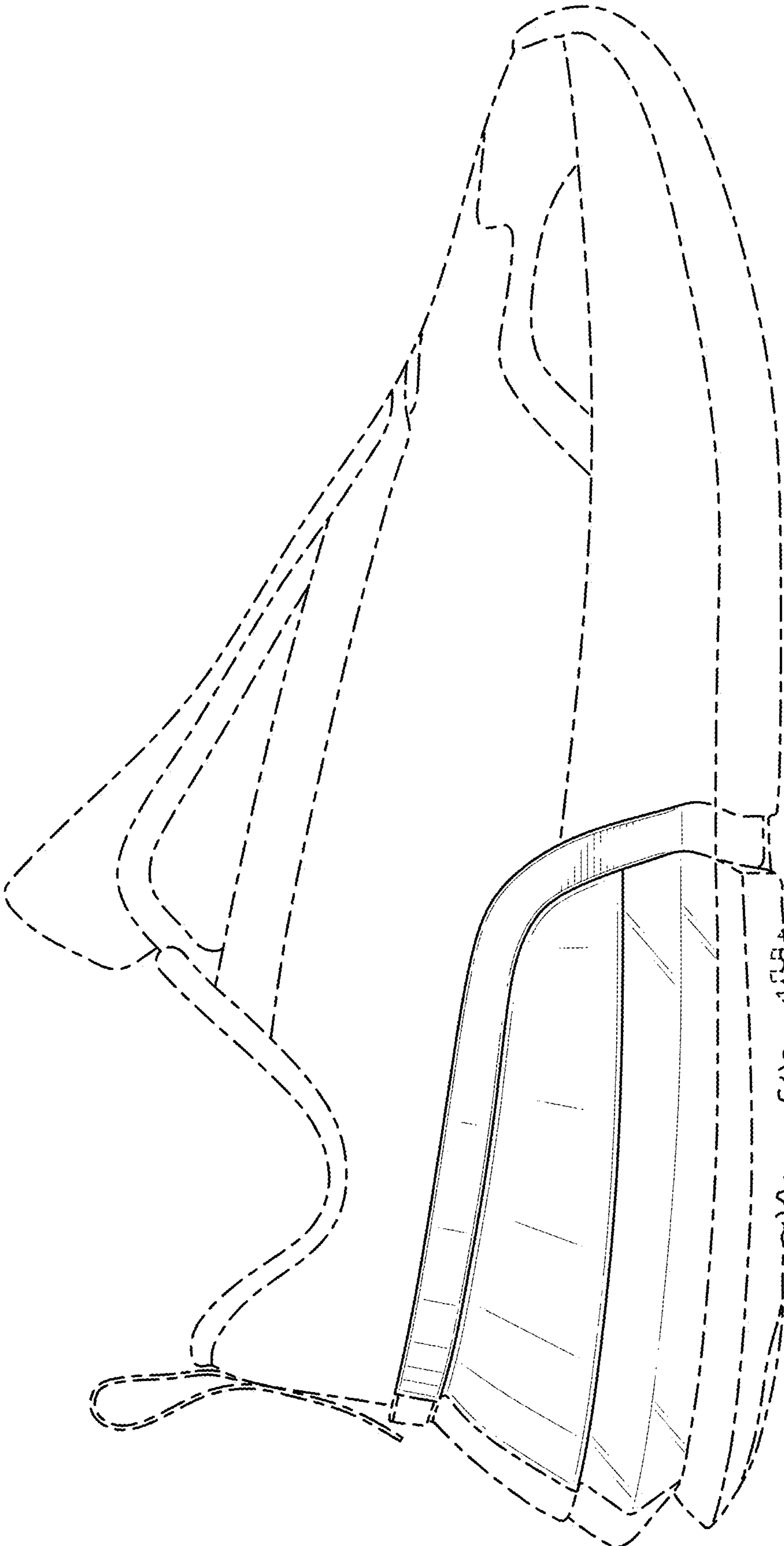


FIG. 2

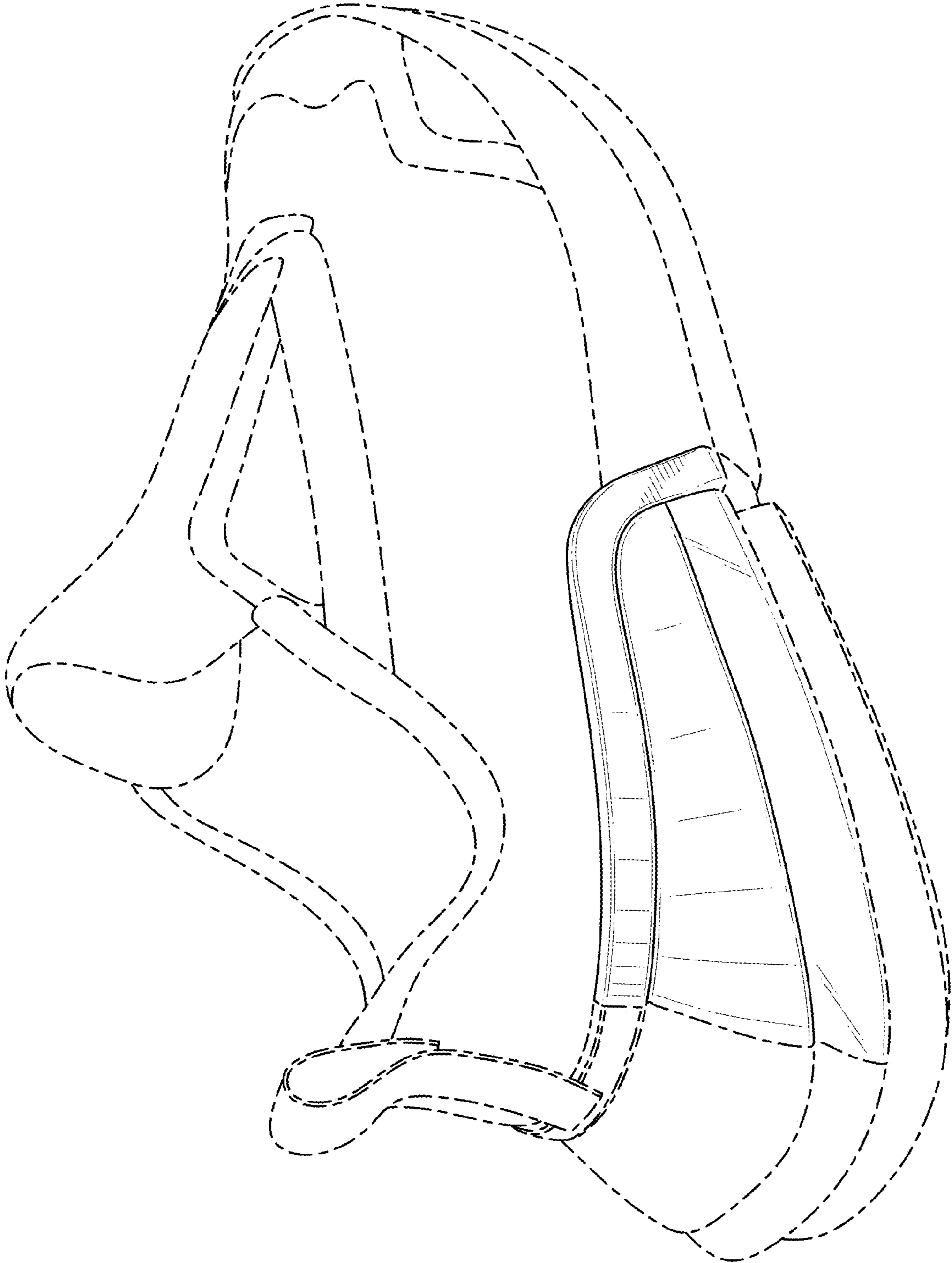


FIG. 3

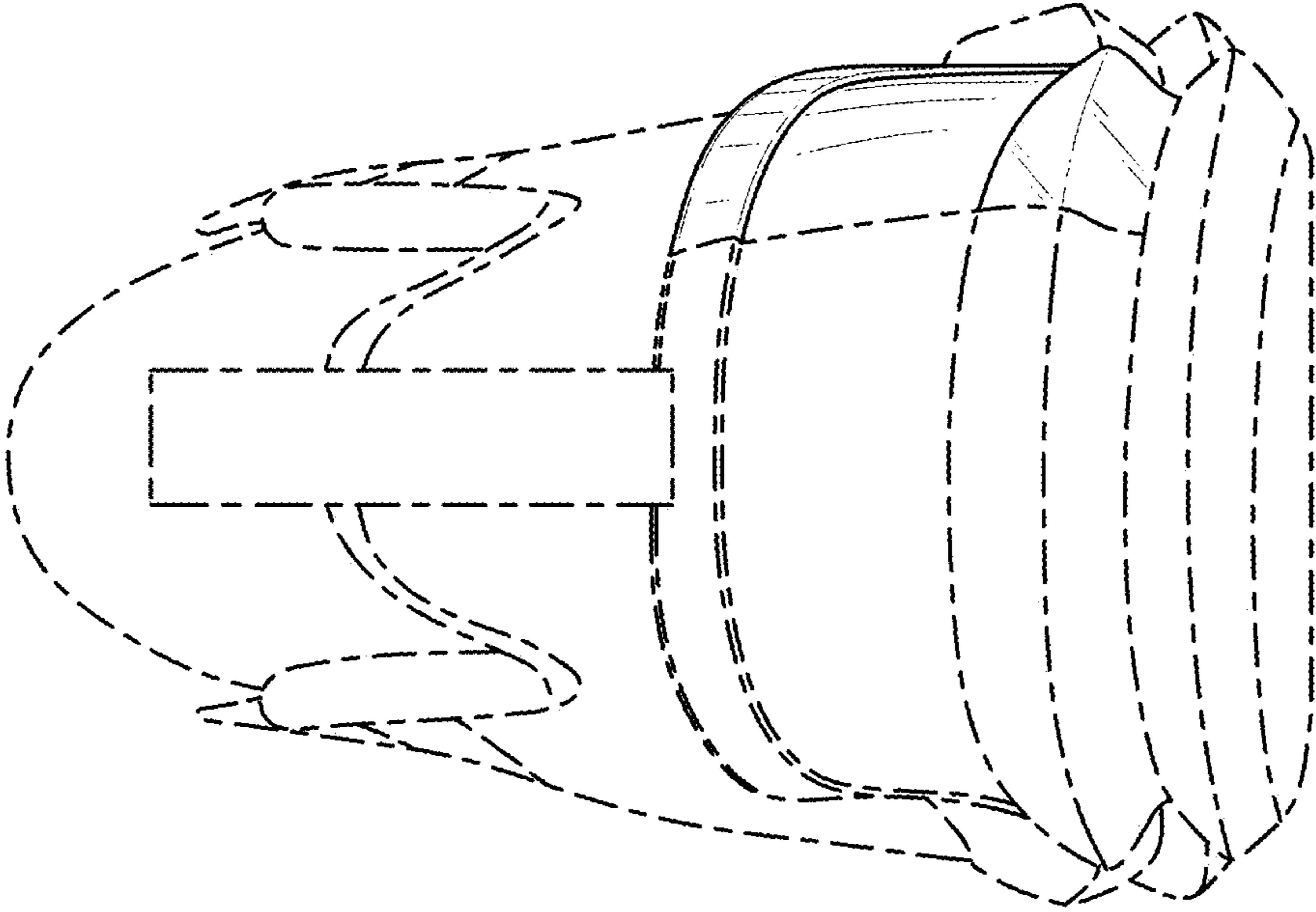


FIG. 4