



US00D894546S

(12) **United States Design Patent**
Velez

(10) **Patent No.:** **US D894,546 S**

(45) **Date of Patent:** **** Sep. 1, 2020**

- (54) **GARDEN SHOE**
- (71) Applicant: **Alan Velez**, Guatemala (GT)
- (72) Inventor: **Alan Velez**, Guatemala (GT)
- (**) Term: **15 Years**
- (21) Appl. No.: **29/647,849**
- (22) Filed: **May 16, 2018**
- (51) **LOC (12) Cl.** **02-04**
- (52) **U.S. Cl.**
USPC **D2/923**
- (58) **Field of Classification Search**
USPC D2/896, 897, 900, 902, 904, 906–908,
D2/923, 926, 943–947, 969, 971–974;
D5/47, 49, 50, 53, 54, 56, 60
CPC ... A43B 13/181; A43B 13/141; A43B 13/186;
A43B 13/188; A43B 23/00; A43B 23/02;
A43B 5/00; A43B 23/26; A43B 1/04;
A43B 11/14; A43B 7/00; A43B 3/12;
A43C 3/00; A43C 5/00; A43C 7/00;
A43C 11/004
See application file for complete search history.

| | | | | |
|----------------|---------|-------------|-------|------------------------|
| D529,263 S * | 10/2006 | Wolf | | D2/923 |
| 7,146,751 B2 * | 12/2006 | Seamans | | A43B 1/0081 36/50.1 |
| D545,032 S * | 6/2007 | Wolf | | D2/923 |
| D545,033 S * | 6/2007 | Wolf | | D2/926 |
| D567,483 S * | 4/2008 | Liow | | D2/923 |
| D578,743 S * | 10/2008 | Liow | | D2/923 |
| D624,733 S * | 10/2010 | O'Boyle | | D2/923 |
| D648,105 S * | 11/2011 | Schlageter | | D2/923 |
| D650,157 S * | 12/2011 | Liow | | D2/923 |
| D667,612 S * | 9/2012 | Del Biondi | | D2/923 |
| D698,133 S * | 1/2014 | Callegarini | | D2/923 |
| D787,789 S * | 5/2017 | Del Biondi | | D2/923 |
| D830,675 S * | 10/2018 | Del Biondi | | D2/923 |
| D839,562 S * | 2/2019 | Lv | | D2/923 |
| D843,089 S * | 3/2019 | Chanthavong | | D2/923 |
| D874,797 S * | 2/2020 | Fongher | | D2/923 |

* cited by examiner

Primary Examiner — Dominic V Simone
(74) *Attorney, Agent, or Firm* — Bay State IP, LLC

(57) **CLAIM**

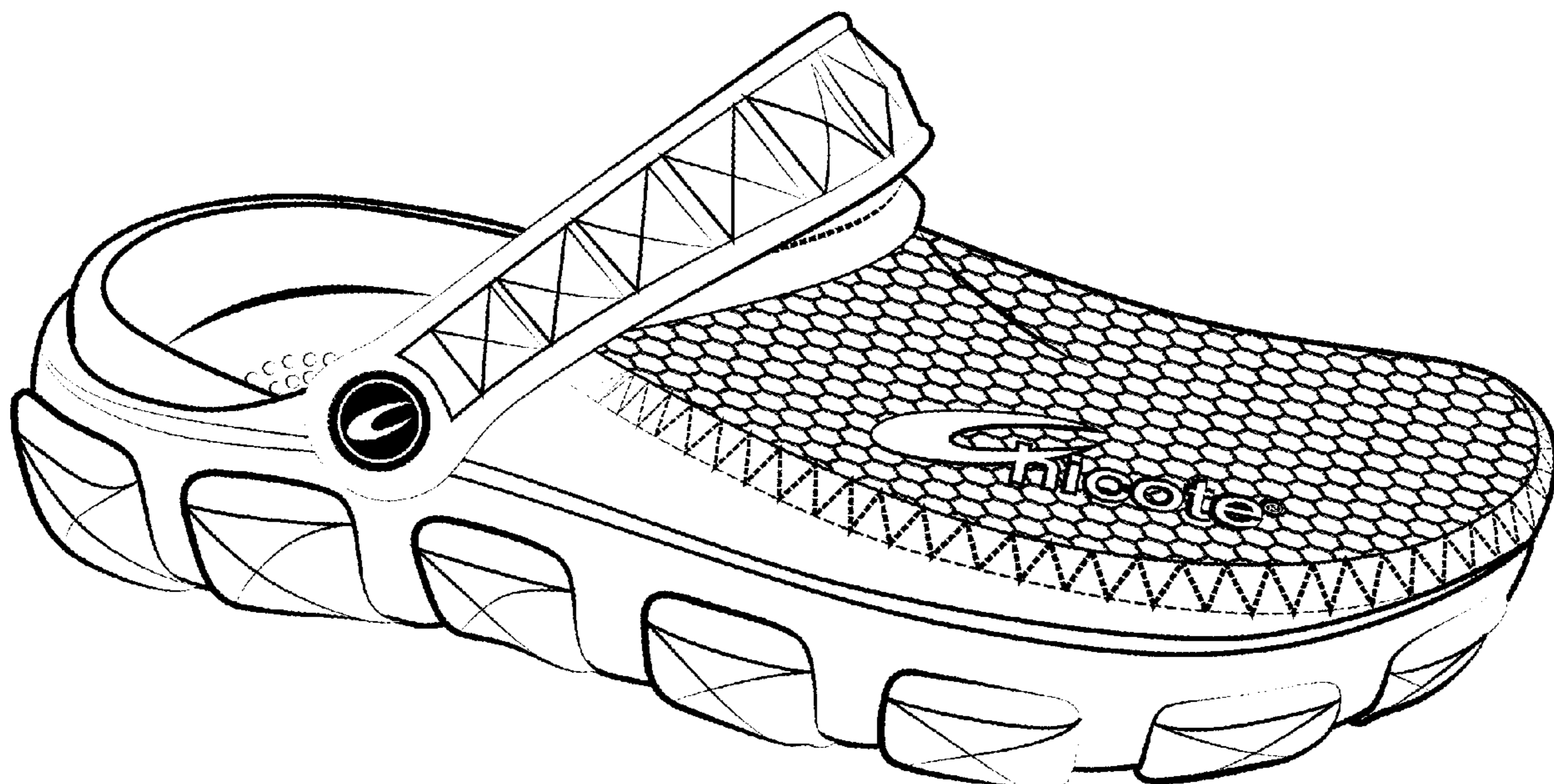
The ornamental design for a garden shoe, as shown and described.

DESCRIPTION

FIG. 1 is a front perspective view showing my new design;
FIG. 2 is a front view thereof;
FIG. 3 is a back view thereof; and
FIG. 4 is a top view thereof.
FIG. 5 is a bottom view thereof;
FIG. 6 is a right side view thereof; and,
FIG. 7 is a left side view thereof.

1 Claim, 7 Drawing Sheets

- (56) **References Cited**
U.S. PATENT DOCUMENTS
D473,040 S * 4/2003 Hawker D2/896
6,993,858 B2 * 2/2006 Seamans A43B 1/0081
36/11.5
D517,789 S * 3/2006 Seamans A43B 1/0081
D2/969
D517,790 S * 3/2006 Seamans D2/969



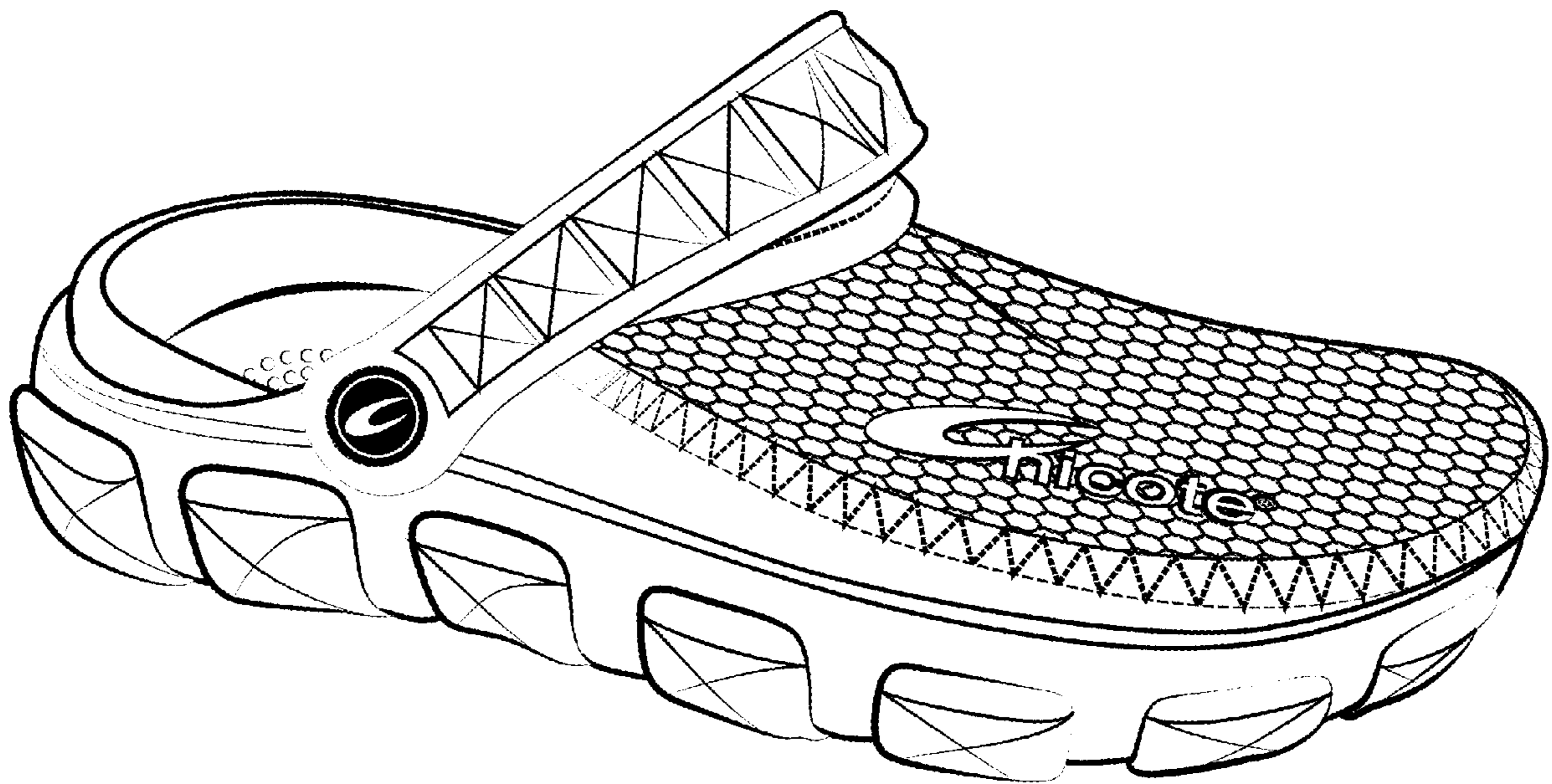


FIG. 1

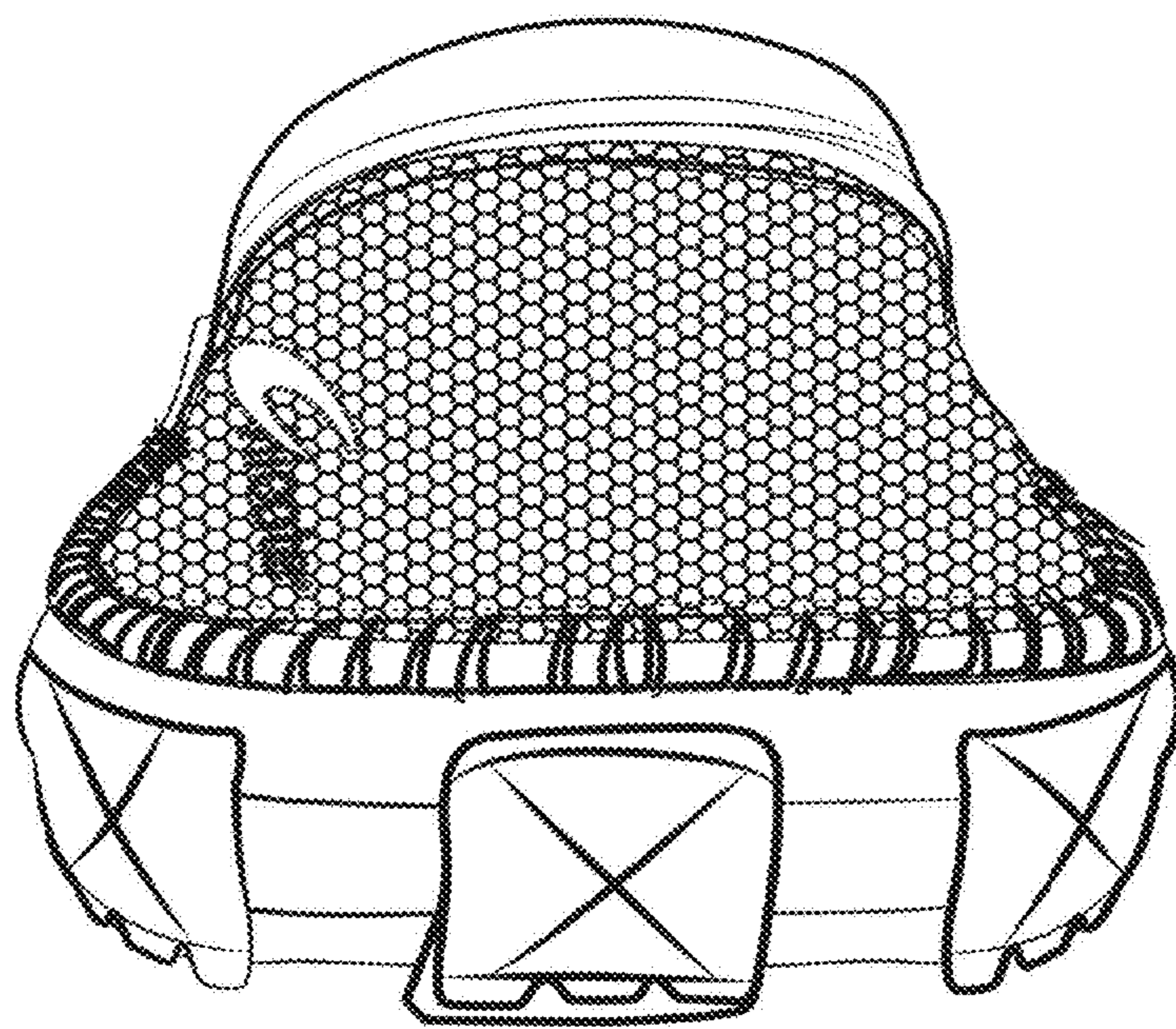


FIG. 2

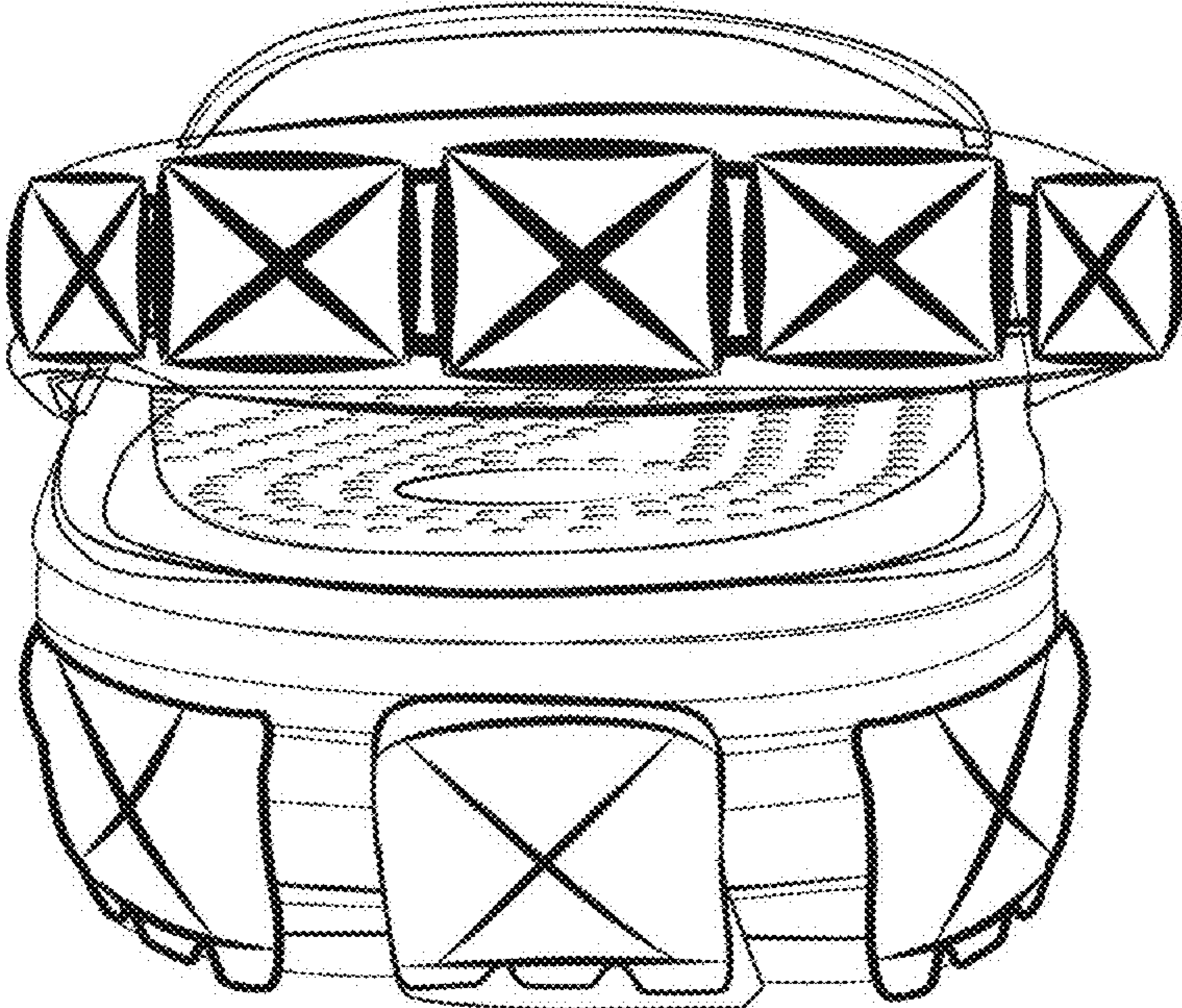


FIG. 3

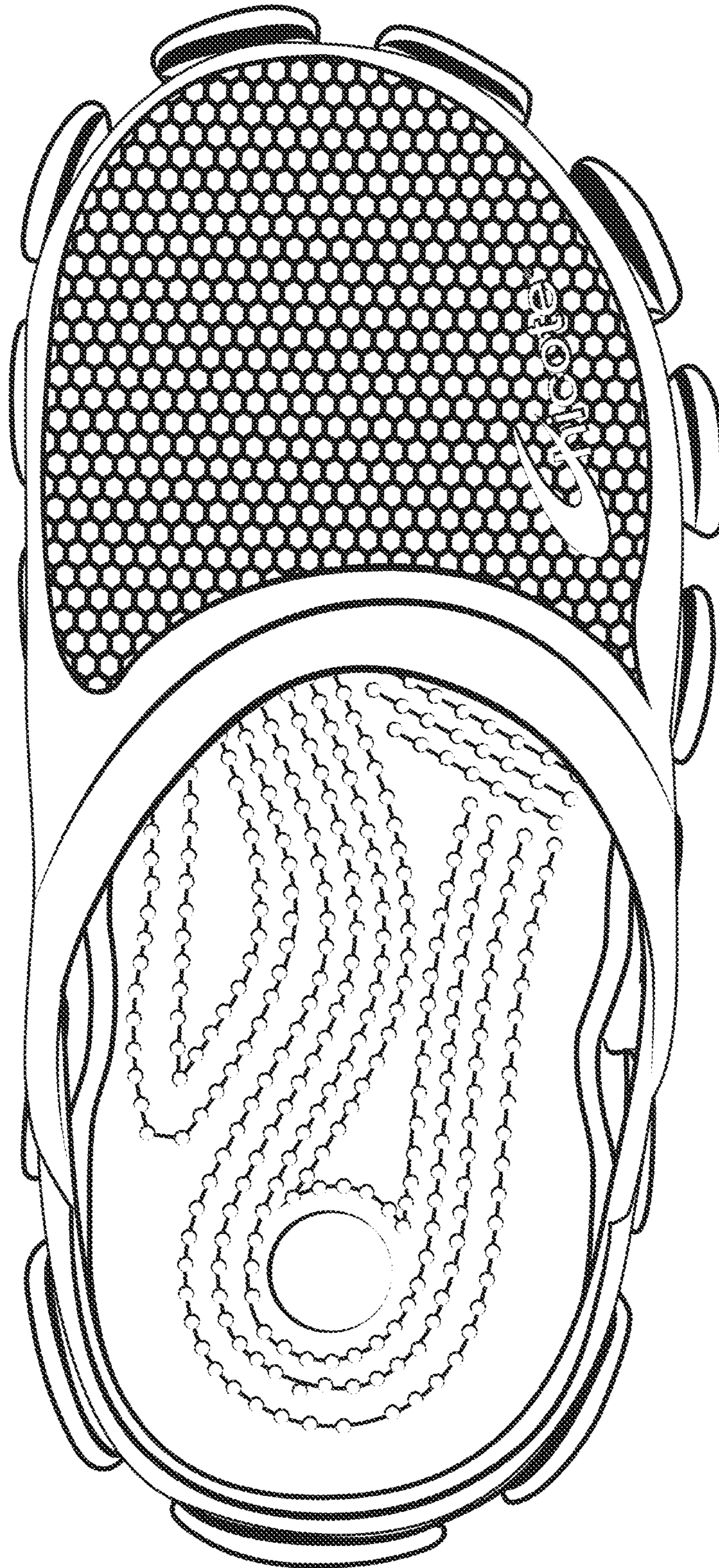


FIG. 4

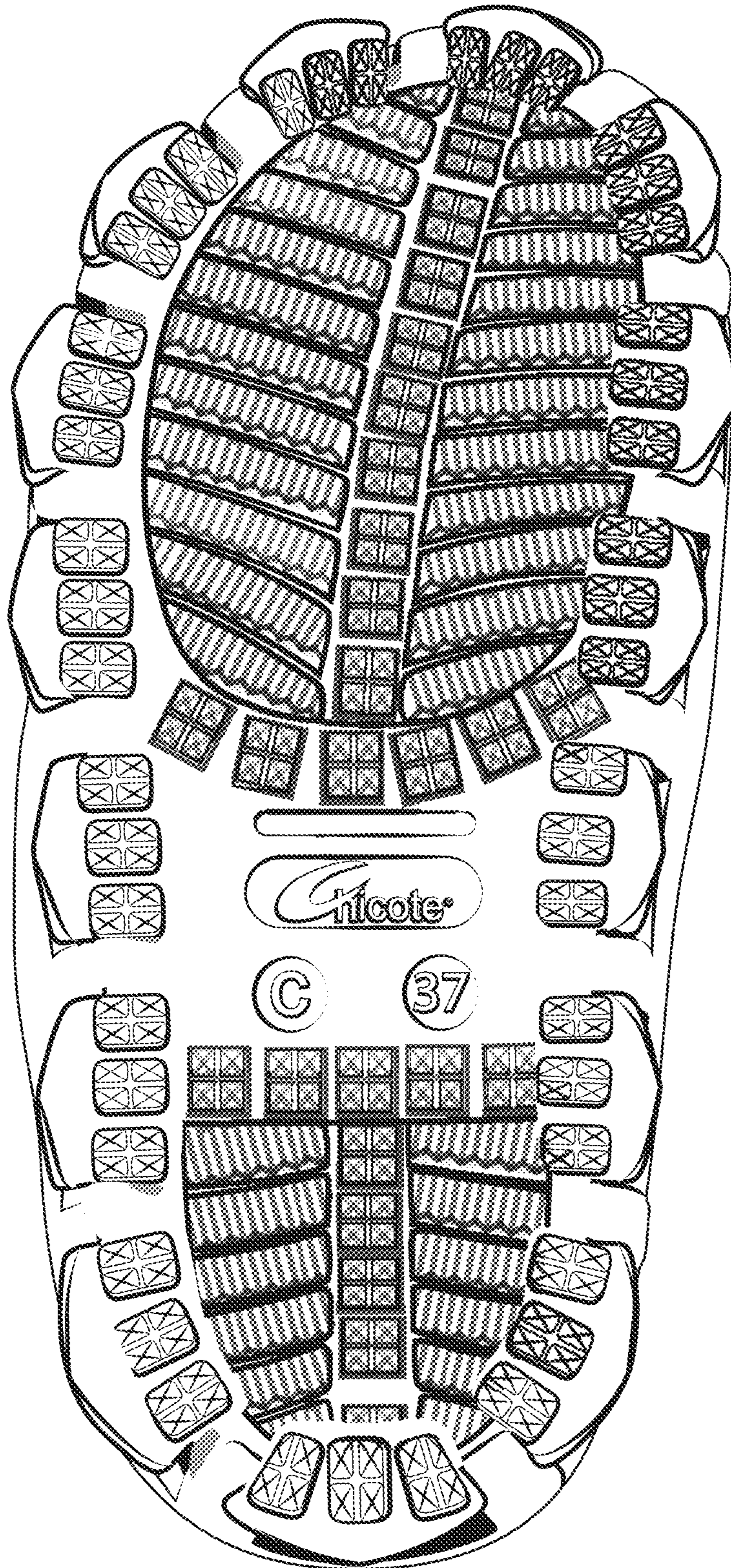


FIG. 5

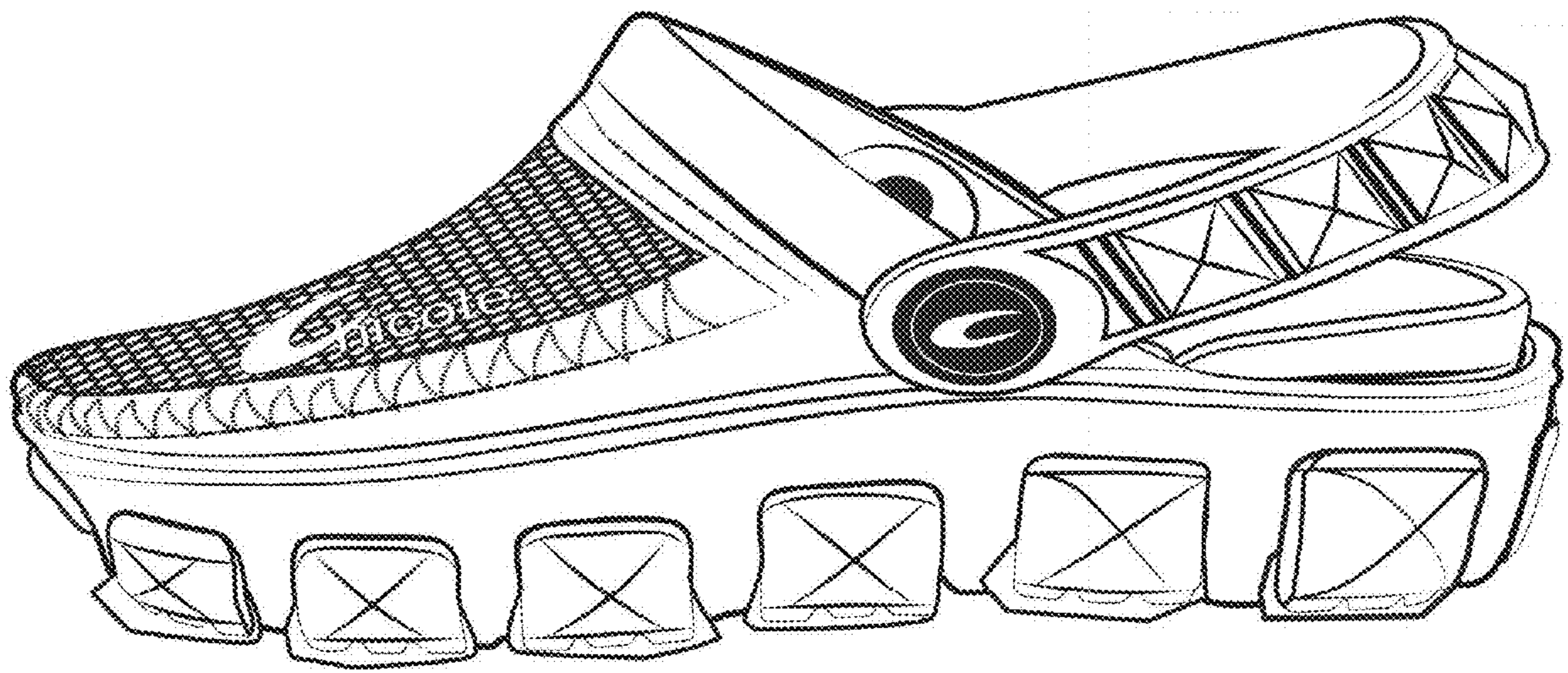


FIG. 6

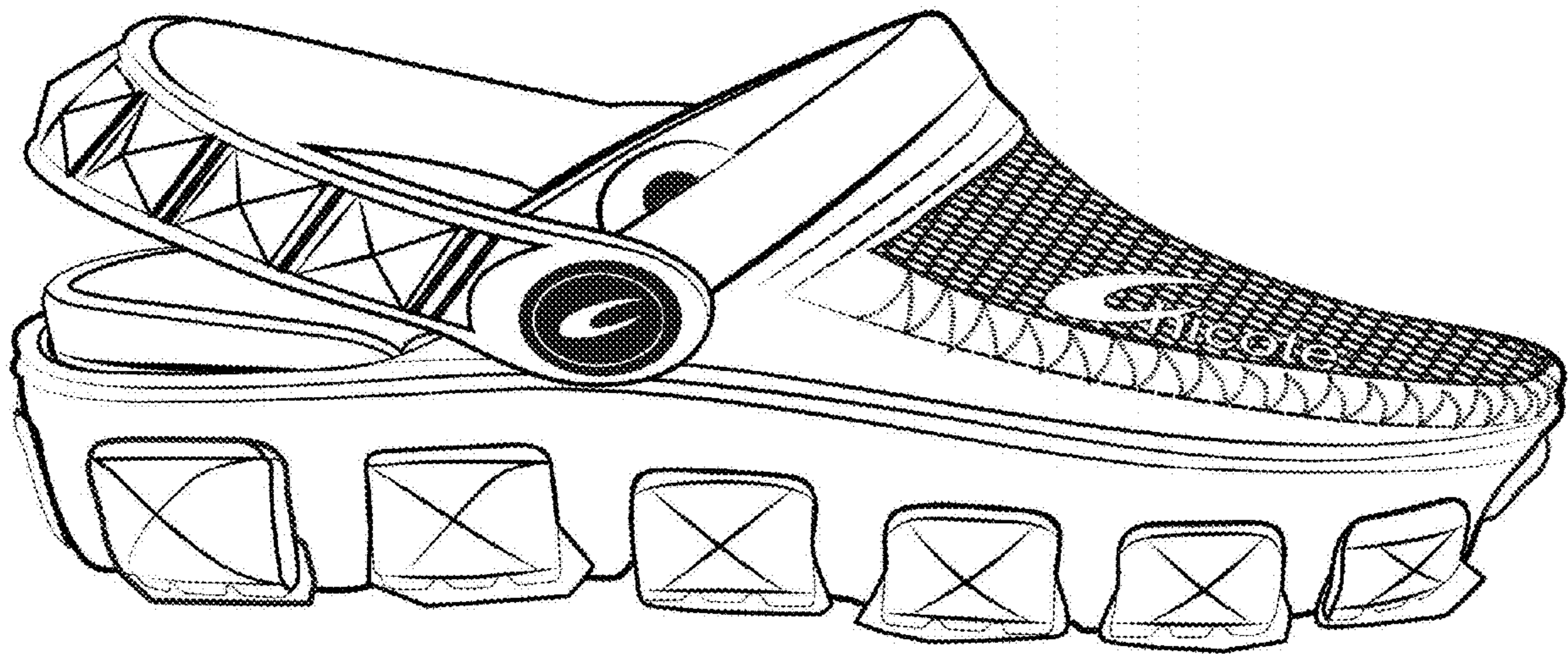


FIG. 7