

US00D894539S

(12) **United States Design Patent** (10) **Patent No.:** **US D894,539 S**
Park (45) **Date of Patent:** **** Sep. 1, 2020**

- (54) **LEISURE COAT**
- (71) Applicant: **surflo Co., Ltd.**, Suwon-si, Gyeonggi-do (KR)
- (72) Inventor: **Yong Hui Park**, Yongin-si (KR)
- (73) Assignee: **surflo Co., Ltd.**, Suwon-si, Gyeonggi-do (KR)
- (**) Term: **15 Years**
- (21) Appl. No.: **29/682,651**
- (22) Filed: **Mar. 7, 2019**
- (51) **LOC (12) Cl.** **02-02**
- (52) **U.S. Cl.**
USPC **D2/828**
- (58) **Field of Classification Search**
USPC D2/828-831, 832, 839, 750; 2/84-85, 2/108
CPC ... A41D 3/00; A41D 3/02; A41D 3/04; A41D 1/00; A41D 1/02
See application file for complete search history.

D638,200 S *	5/2011	Gorson	D2/831
D655,072 S *	3/2012	Webster	D2/831
D704,924 S *	5/2014	Roberts	D2/831
D836,299 S *	12/2018	Lamprey	D2/839
D838,936 S *	1/2019	Kolb	D2/828
2013/0042384 A1 *	2/2013	Mitchell	A42B 1/048 2/84
2020/0054083 A1 *	2/2020	Park	A41D 3/02

* cited by examiner

Primary Examiner — Barbara Fox
Assistant Examiner — J. Thorn, Sr.
(74) *Attorney, Agent, or Firm* — Revolution IP, PLLC

(57) **CLAIM**

The ornamental design for a leisure coat, as shown and described.

DESCRIPTION

FIG. 1 is a perspective view of a leisure coat showing the claimed design;
FIG. 2 is a front view thereof;
FIG. 3 is a rear view thereof;
FIG. 4 is a left side view thereof;
FIG. 5 is a right side view thereof;
FIG. 6 is a top view thereof; and,
FIG. 7 is a bottom view thereof.

The broken lines in FIGS. 1 through 7 are for the purpose of illustrating stitching lines and form part of the claimed design.

1 Claim, 6 Drawing Sheets

- (56) **References Cited**
U.S. PATENT DOCUMENTS
D451,661 S * 12/2001 Costello D2/828
D588,783 S * 3/2009 Olstorn D2/828
D604,479 S * 11/2009 Roe D2/832

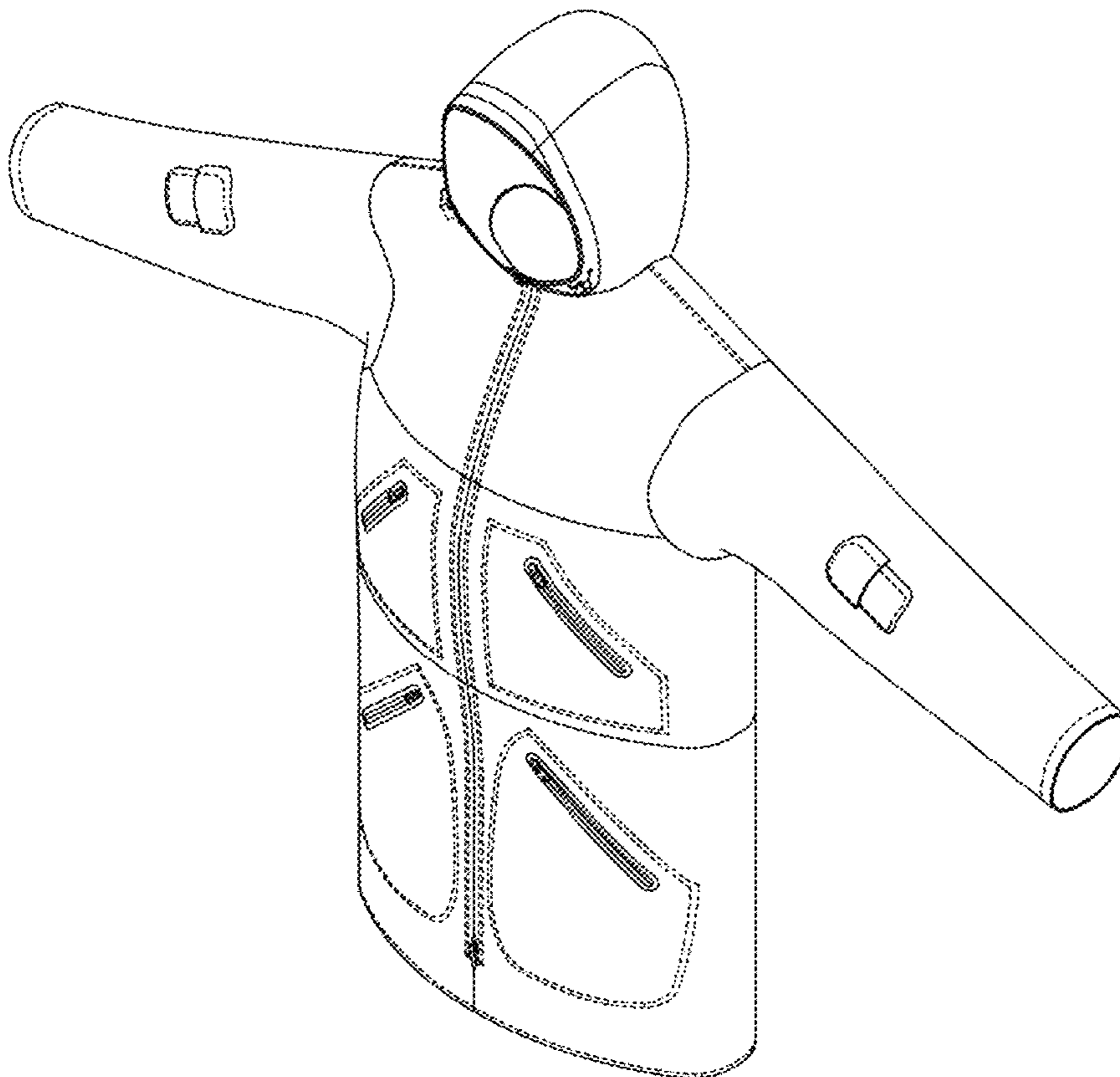


FIG. 1

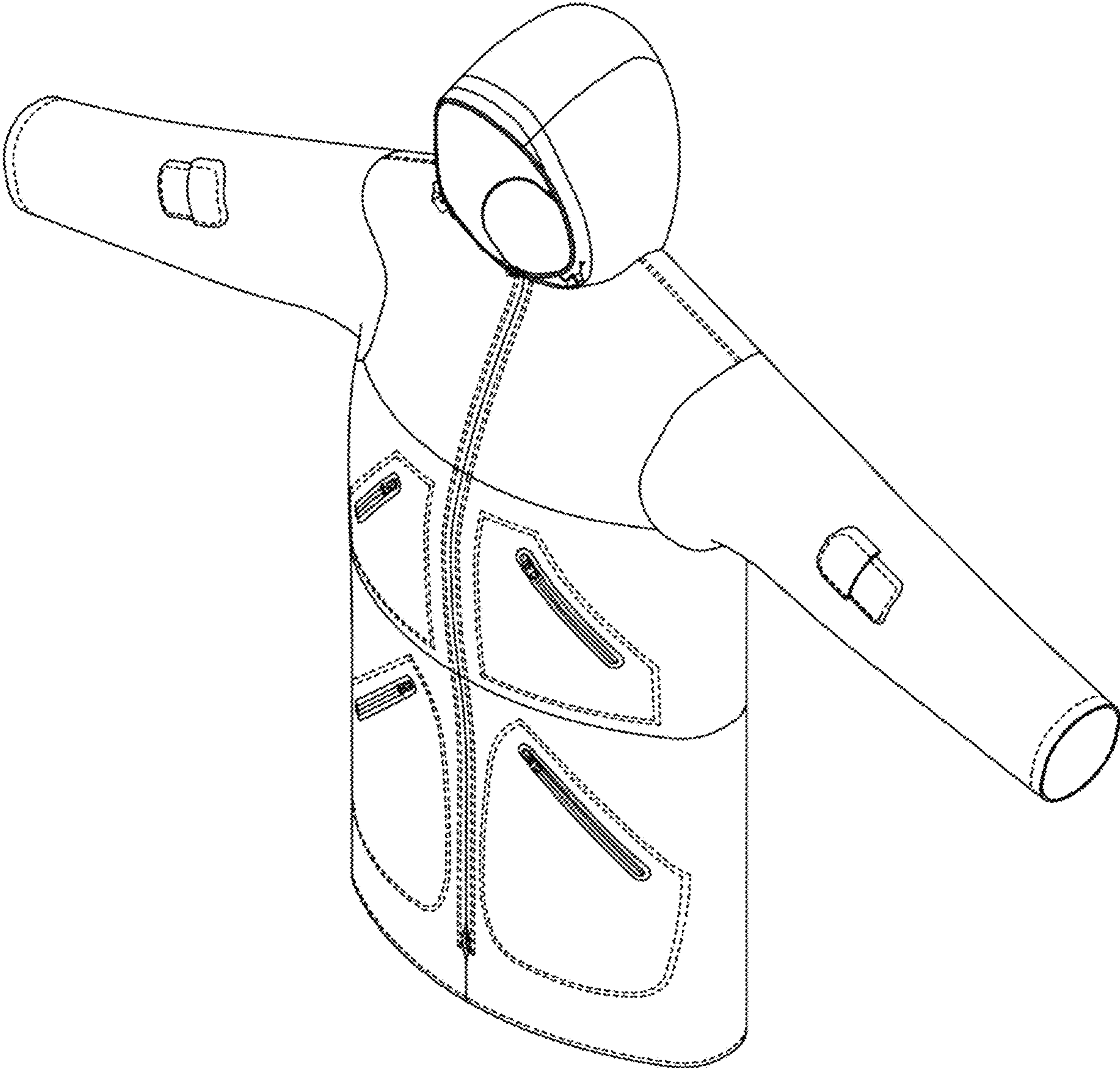


FIG. 2

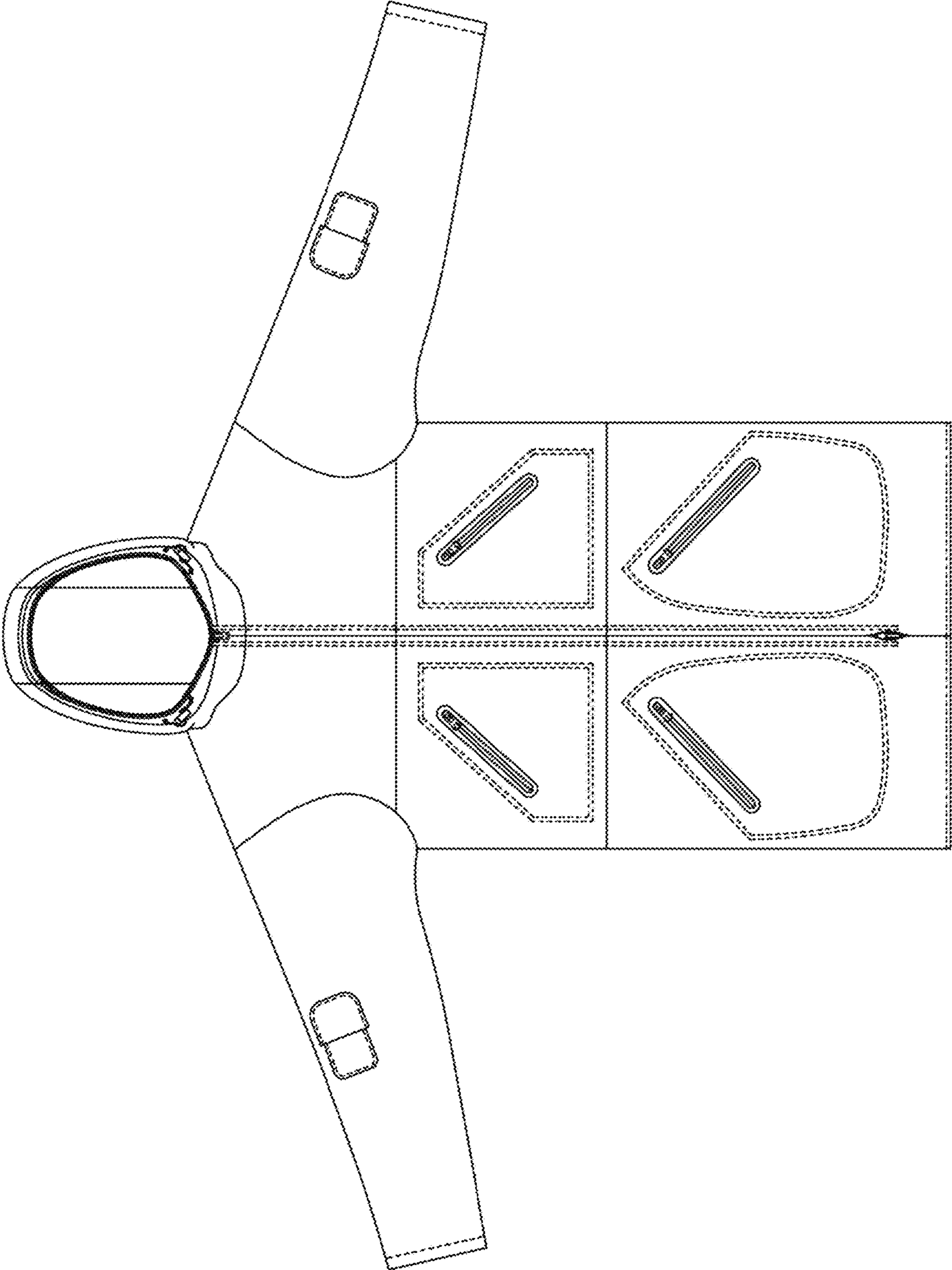


FIG. 3

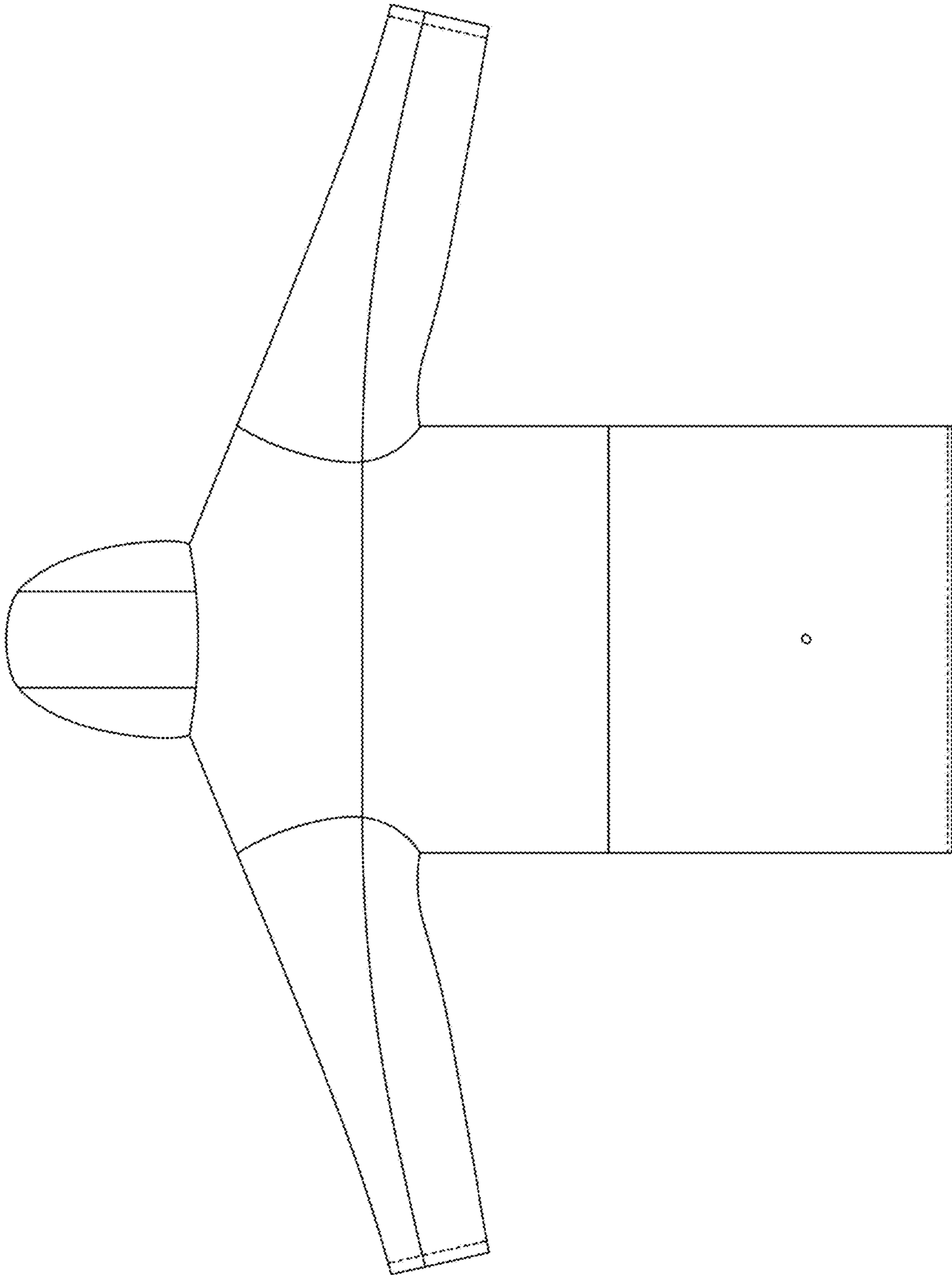


FIG. 4

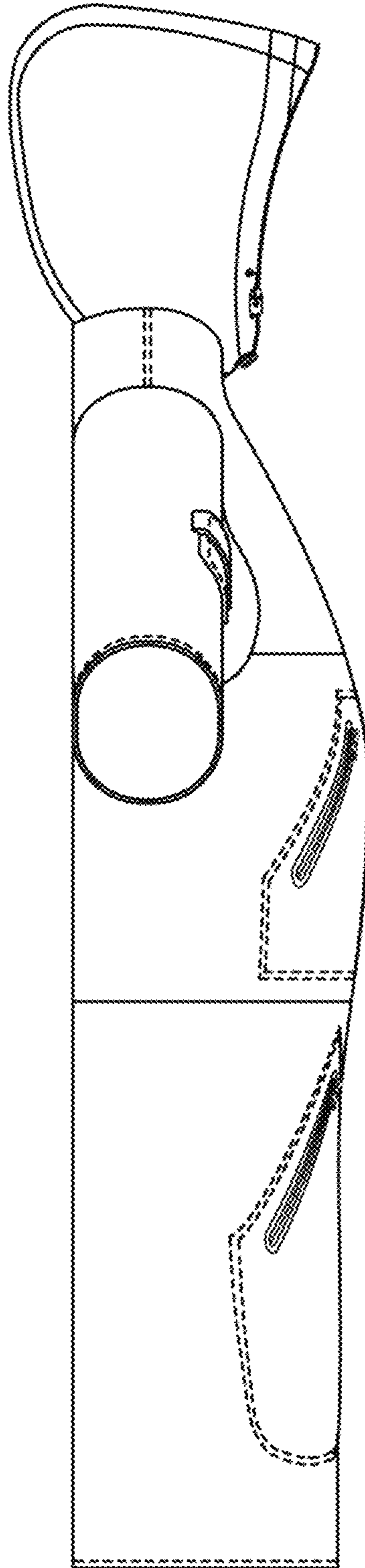


FIG. 5

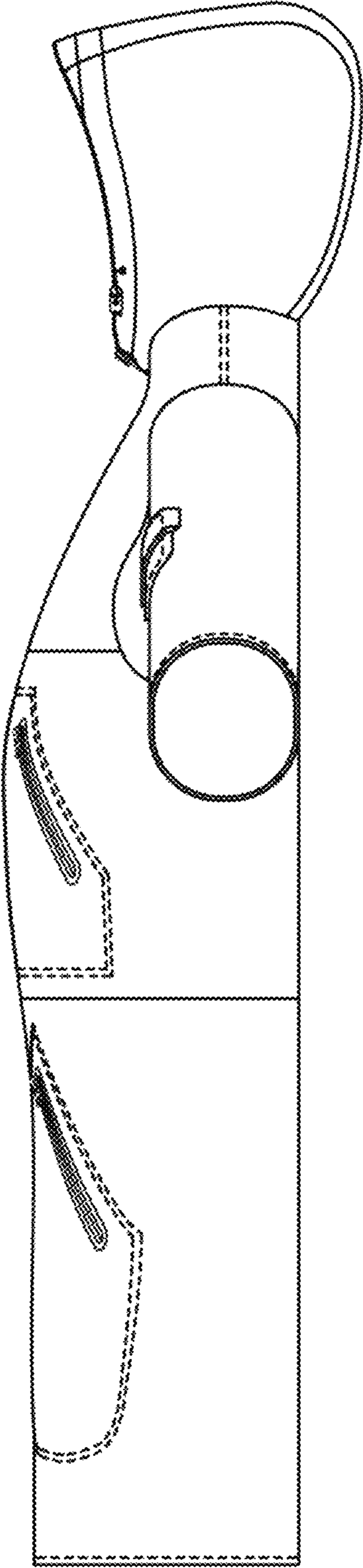


FIG. 6

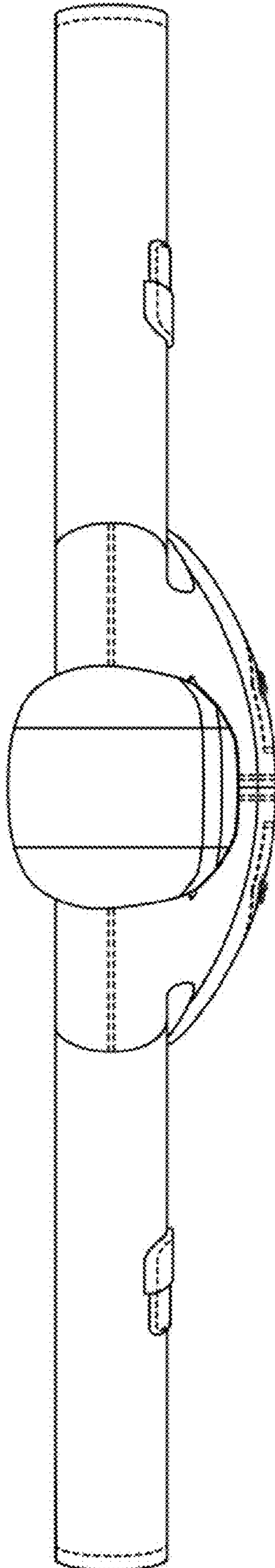


FIG. 7

