



US00D894538S

(12) **United States Design Patent**
Wood et al.

(10) **Patent No.:** **US D894,538 S**

(45) **Date of Patent:** **** Sep. 1, 2020**

(54) **HOODED SHORT CROPPED COAT**

(71) Applicant: **Drake Waterfowl Systems**, Olive Branch, MS (US)

(72) Inventors: **Tate Wood**, Olive Branch, MS (US); **Bobby L. Windham, Jr.**, Olive Branch, MS (US); **Jeff L. Jones**, Olive Branch, MS (US)

(73) Assignee: **DRAKE WATERFOWL SYSTEMS**, Olive Branch, MS (US)

(**) Term: **15 Years**

(21) Appl. No.: **29/621,817**

(22) Filed: **Oct. 11, 2017**

(51) **LOC (12) Cl.** **02-02**

(52) **U.S. Cl.**
USPC **D2/828**

(58) **Field of Classification Search**
USPC D2/828-829, 825, 831, 780; 2/94
CPC A41D 13/0012; A41D 13/00; A41D 3/00;
A41D 2200/20
See application file for complete search history.

(56) **References Cited**

U.S. PATENT DOCUMENTS

- 1,212,513 A * 1/1917 Langerman A41D 13/0012
2/94
- 2,368,654 A * 2/1945 Frank A41D 3/00
2/84
- D261,070 S * 10/1981 Pettibone D2/831
- 5,127,565 A * 7/1992 Grant A41D 13/0012
2/102
- D633,692 S * 3/2011 Lawrence D2/831

- D638,200 S * 5/2011 Gorson D2/831
- D758,697 S * 6/2016 Clark D2/828
- D781,027 S * 3/2017 Zheng D2/828
- D812,858 S * 3/2018 Lamprey D2/831
- D836,299 S * 12/2018 Lamprey D2/839
- 2004/0237169 A1* 12/2004 Wood A41D 13/0012
2/94
- 2010/0031415 A1* 2/2010 Shadid A41D 13/0012
2/87
- 2018/0177248 A1* 6/2018 Sneath A41D 3/00

* cited by examiner

Primary Examiner — Manpreet S. Matharu

Assistant Examiner — J. Thorn, Sr.

(74) *Attorney, Agent, or Firm* — Hulsey P.C.

(57) **CLAIM**

The ornamental design for a hooded short cropped coat, as shown and described.

DESCRIPTION

FIG. 1 is an isometric view of a hooded water-resistant hunting coat with a weather mask, a suite of pockets, a kill switch D-ring, and a drop-down seat attachment which can be stowed away in the inner torso of said jacket, showing my new design.

FIG. 2 is a front perspective view of hooded water-resistant hunting coat

FIG. 3 is a back perspective view thereof.

FIG. 4 is a top perspective view thereof.

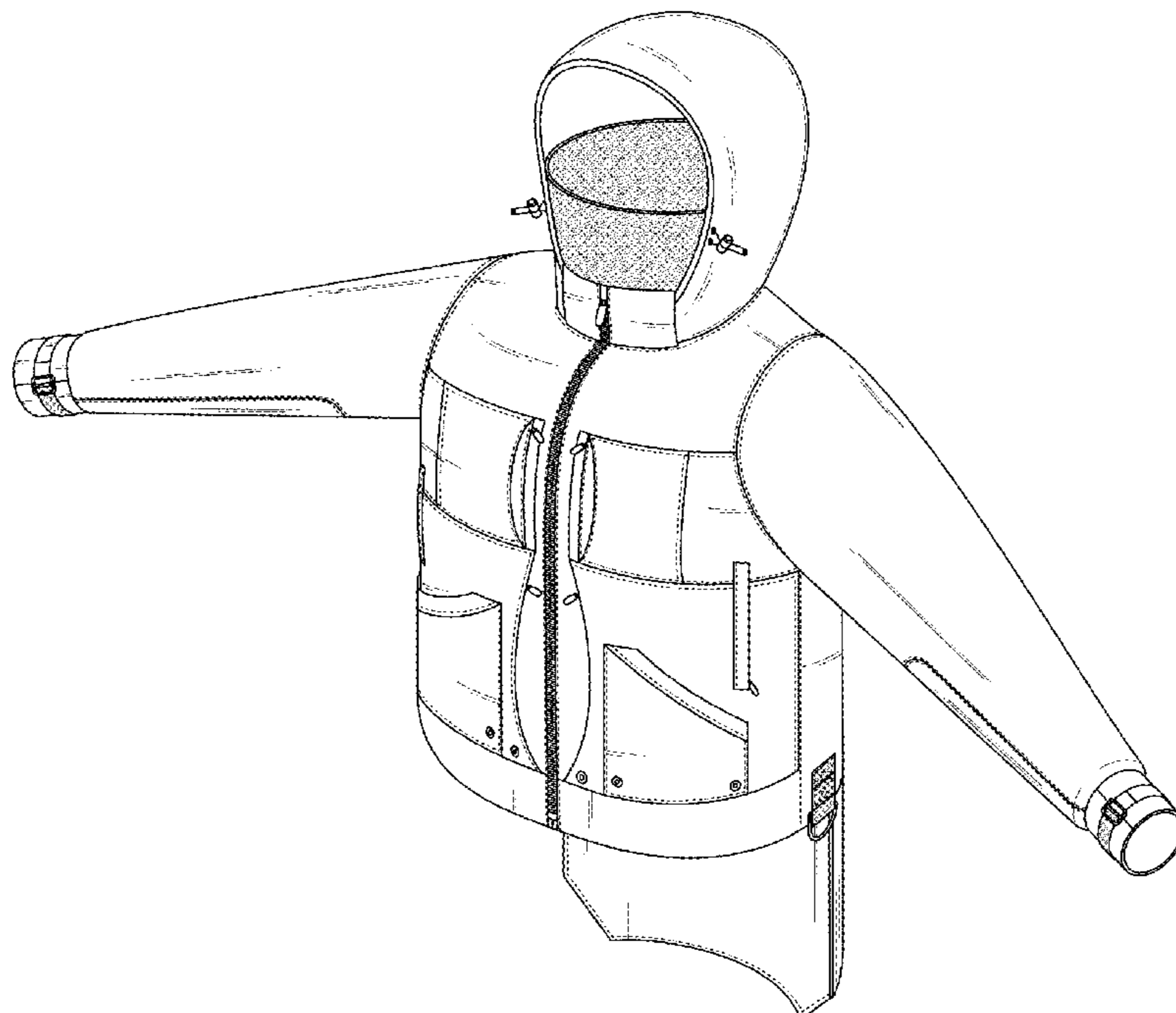
FIG. 5 is a bottom perspective view thereof.

FIG. 6 is a left elevation view thereof; and,

FIG. 7 is a right elevation view thereof.

The broken lines shown in the drawings represent stitching in the fabric.

1 Claim, 5 Drawing Sheets



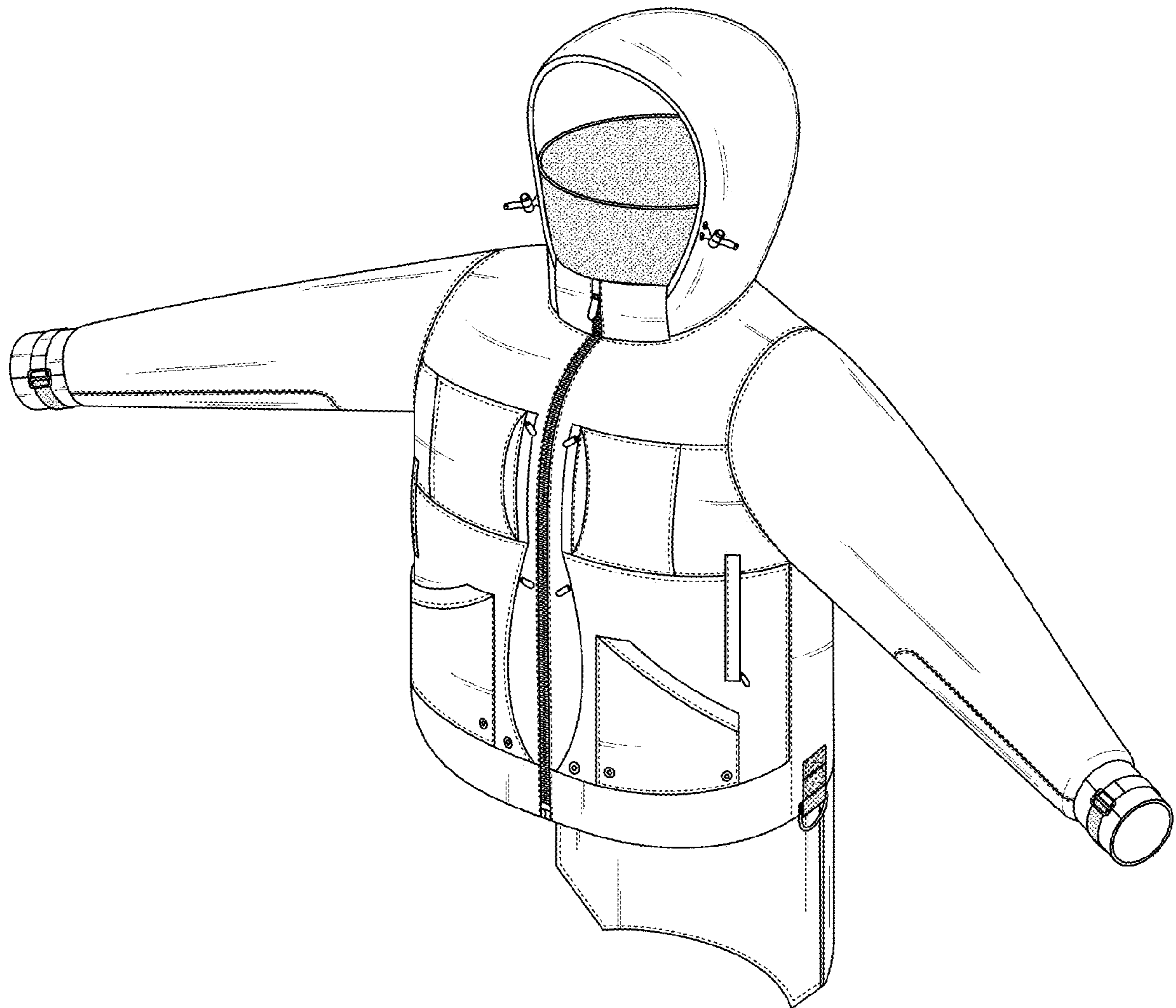


FIG. 1

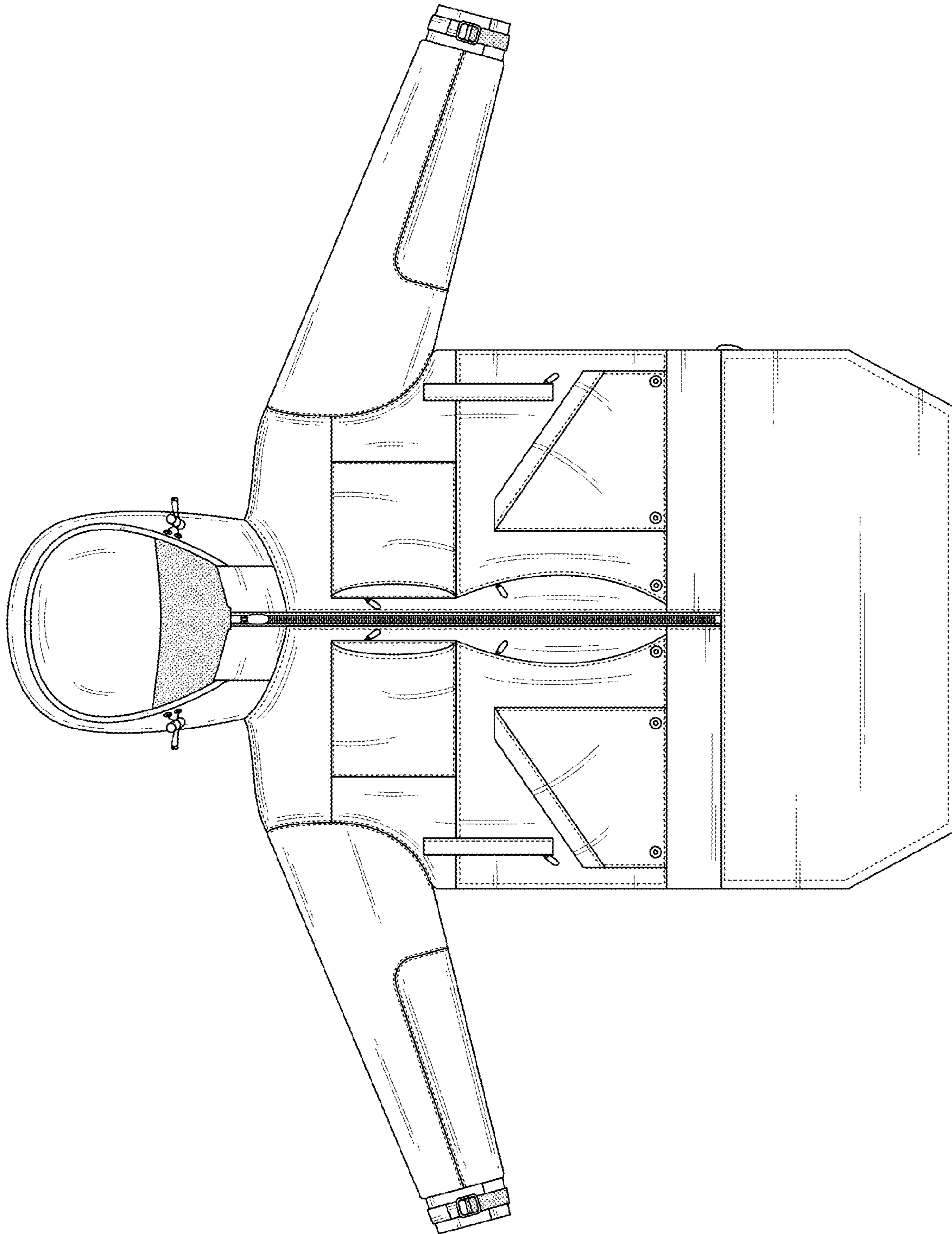


FIG. 2

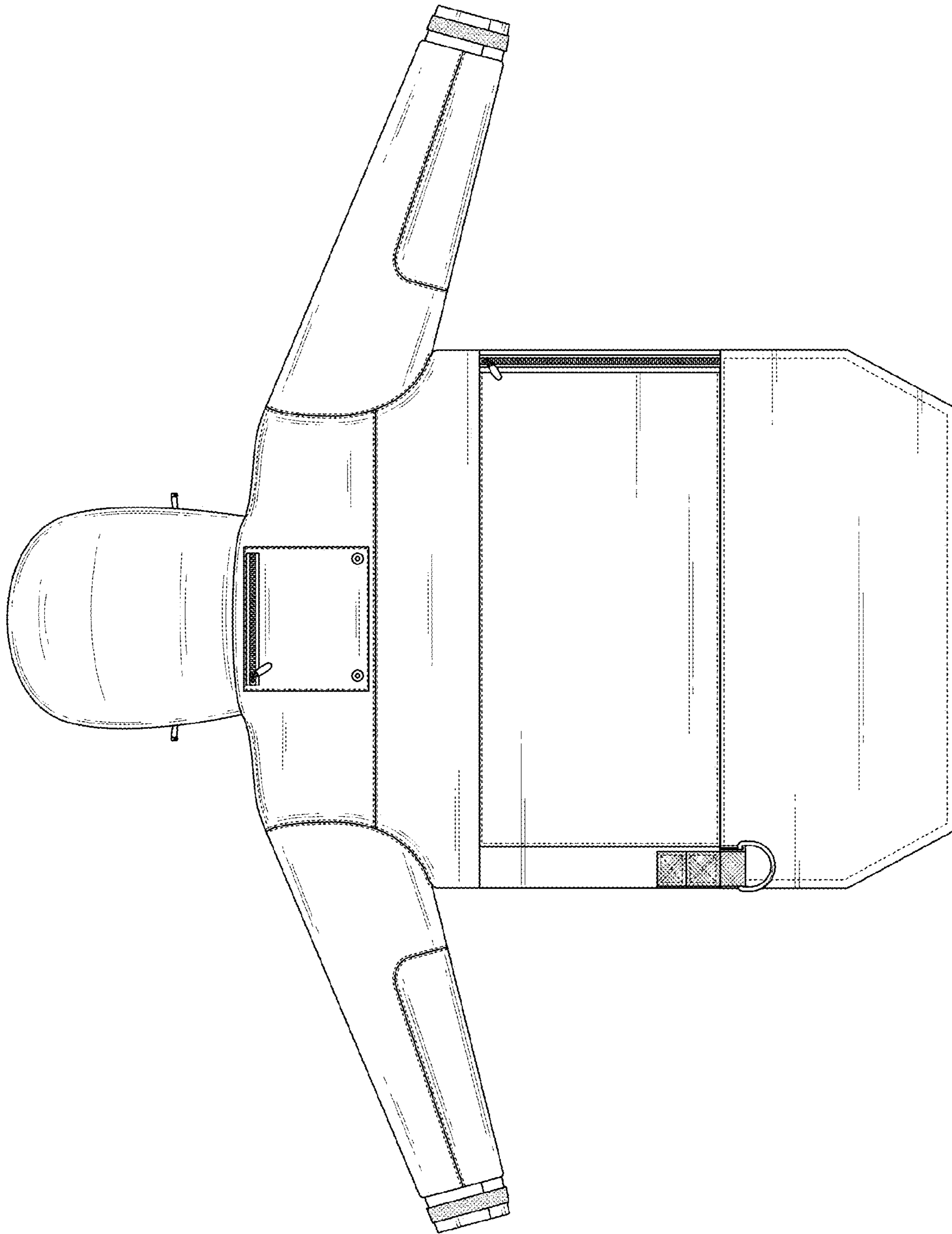


FIG. 3

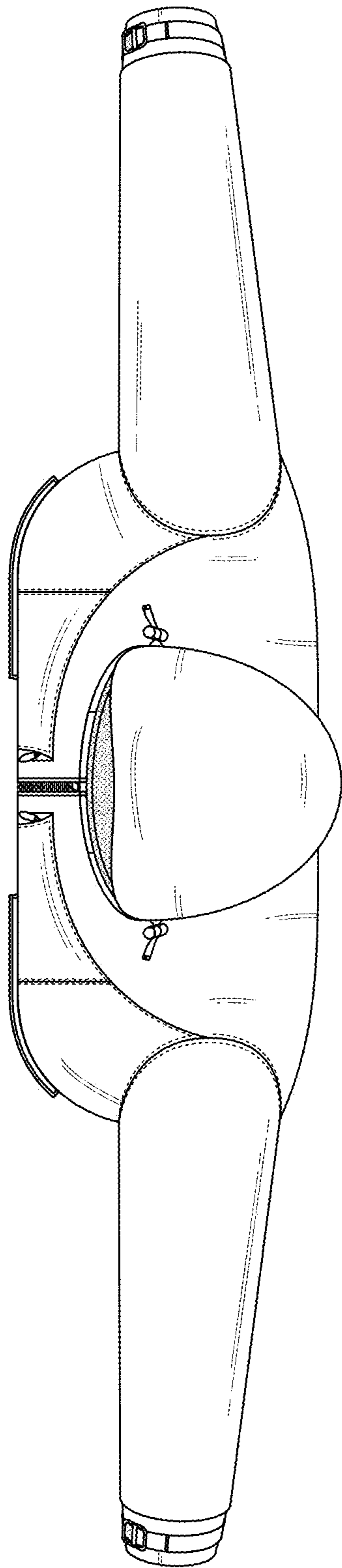


FIG. 4

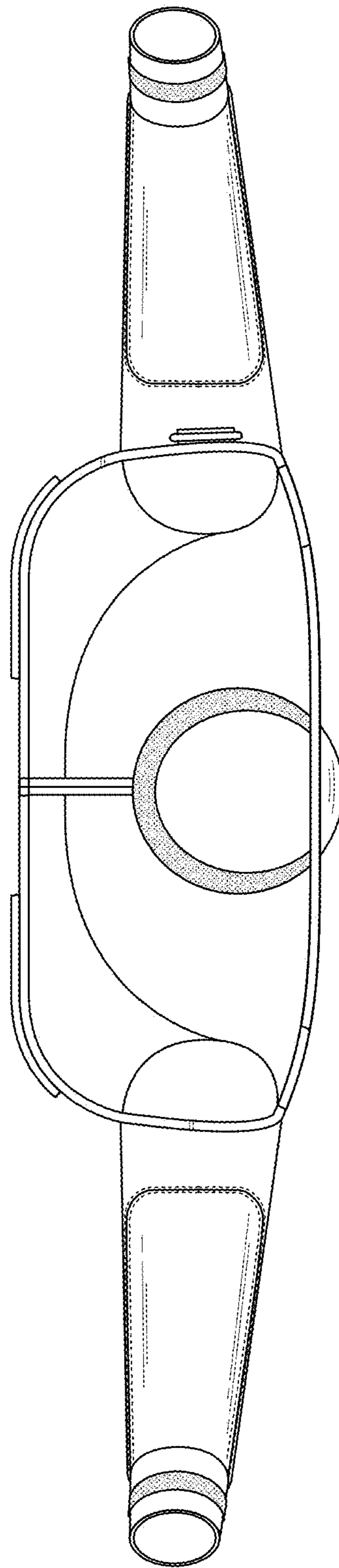


FIG. 5

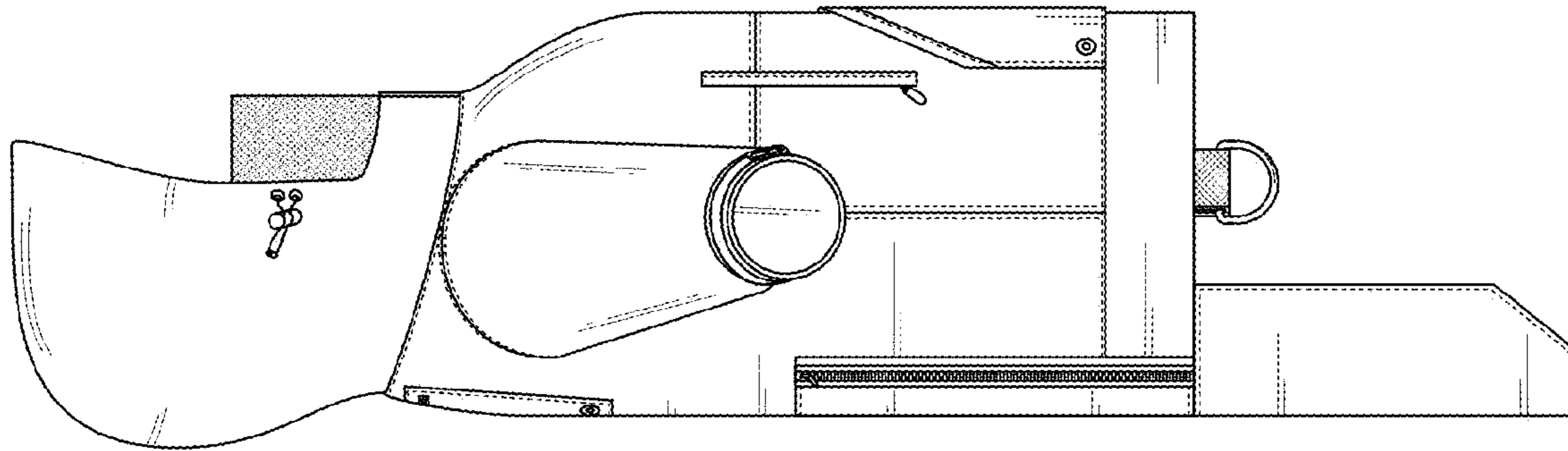


FIG. 6

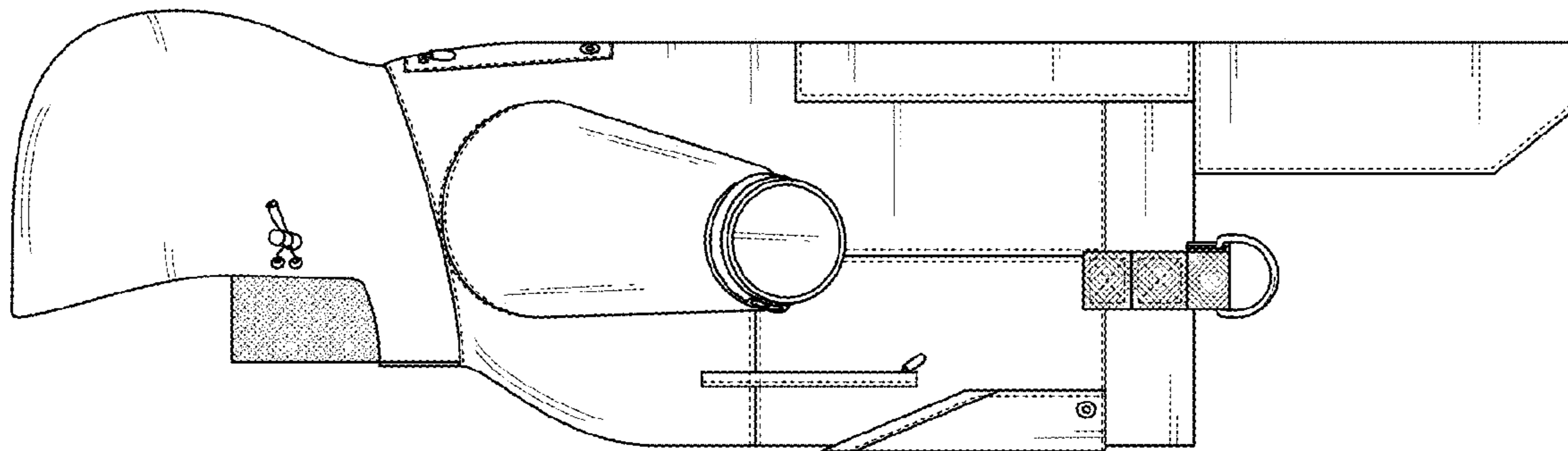


FIG. 7