



US00D894534S

(12) **United States Design Patent** (10) **Patent No.:** **US D894,534 S**
Pettigrew et al. (45) **Date of Patent:** **** Sep. 1, 2020**

- (54) **MEDICAL GARMENT**
- (71) Applicants: **Benjamin Pettigrew**, Winston Salem, NC (US); **Peninah Pettigrew**, Winston Salem, NC (US)
- (72) Inventors: **Benjamin Pettigrew**, Winston Salem, NC (US); **Peninah Pettigrew**, Winston Salem, NC (US)
- (**) Term: **15 Years**
- (21) Appl. No.: **29/641,092**
- (22) Filed: **Mar. 20, 2018**
- (51) **LOC (12) Cl.** **02-02**
- (52) **U.S. Cl.**
USPC **D2/720**
- (58) **Field of Classification Search**
USPC D2/840, 720, 739, 743
CPC A41D 13/1245
See application file for complete search history.

- (56) **References Cited**
U.S. PATENT DOCUMENTS
- 1,489,046 A * 4/1924 Thompson A41B 9/08
2/114
- 2,701,364 A 2/1955 Palm
- 3,116,491 A * 1/1964 Previdi A41D 1/21
2/106
- 4,570,268 A * 2/1986 Freeman A41D 13/1236
2/114
- 4,737,995 A * 4/1988 Wiley A41D 13/1236
2/114
- 4,837,863 A 6/1989 Van Scoy-Mosher
- 4,964,173 A * 10/1990 Gordon A41D 13/1236
2/114
- 4,971,073 A * 11/1990 Schneider A61F 5/3784
128/869
- 5,133,086 A 7/1992 Truitt et al.
- D336,968 S * 7/1993 Russano D2/720

- 5,564,123 A * 10/1996 Grassick A41D 13/1245
2/114
 - 5,611,087 A * 3/1997 Adkins A41D 13/1236
2/114
 - D381,488 S * 7/1997 Small D2/718
 - 5,652,961 A * 8/1997 Knight-Yurt A41D 13/0012
2/106
 - 5,991,923 A * 11/1999 Maria A41D 13/1236
2/114
 - 6,216,271 B1 * 4/2001 Chen A41D 13/1245
2/114
 - 6,314,580 B1 * 11/2001 Greenberg A41D 13/1245
2/108
 - 6,484,321 B1 * 11/2002 Shamam A41D 13/1245
2/114
 - 6,792,622 B2 * 9/2004 Graves A41D 13/1245
2/114
 - 7,181,773 B1 * 2/2007 Piraka A41D 13/1281
2/114
 - 7,305,716 B1 12/2007 Richards
 - D560,879 S * 2/2008 Hines D2/840
- (Continued)

Primary Examiner — Kevin K Rudzinski

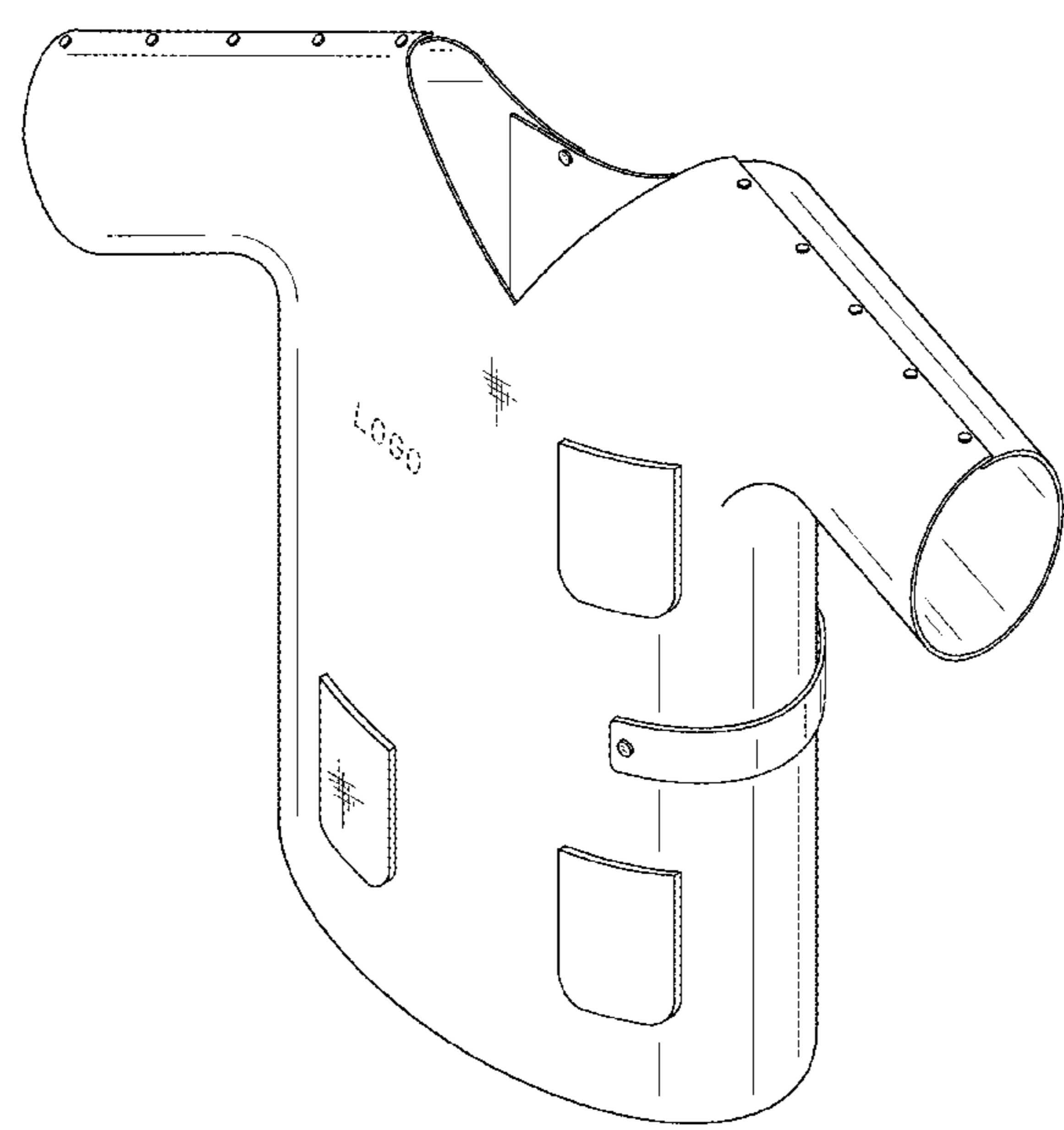
(57) **CLAIM**

The ornamental design for a medical garment, as shown and described.

DESCRIPTION

FIG. 1 is a front view of a medical garment showing my new design;
 FIG. 2 is a rear view of the medical garment;
 FIG. 3 is a left side view of the medical garment;
 FIG. 4 is a right side view of the medical garment;
 FIG. 5 is a top view of the medical garment;
 FIG. 6 is a bottom view of the medical garment; and,
 FIG. 7 is a top front side perspective view of the medical garment.
 The broken lines showing text on the medical garment form no part of the claimed design.

1 Claim, 5 Drawing Sheets



(56)

References Cited

U.S. PATENT DOCUMENTS

D574,126	S *	8/2008	McCray	D2/720
D579,178	S *	10/2008	Snyder	D2/840
D584,483	S *	1/2009	Glynn	D2/720
D584,882	S *	1/2009	Trouillot	D2/720
D632,460	S *	2/2011	Kinder	D2/717
D635,739	S *	4/2011	Toms	D2/720
7,987,524	B2 *	8/2011	Bower	A41D 13/129 2/106
8,286,263	B2	10/2012	Sampson-Howlett	
D680,709	S *	4/2013	Blood	D2/720
D727,595	S *	4/2015	Lawson	D2/743
D731,754	S *	6/2015	Graham	D2/720
D741,569	S *	10/2015	Fredrickson	D2/720
9,179,716	B2	11/2015	Forbes et al.	
D767,252	S *	9/2016	Antons	D2/720
10,219,558	B2 *	3/2019	Terrell	A41D 13/1245
10,271,594	B1 *	4/2019	Cook	A41D 13/1245
10,299,522	B2 *	5/2019	Kuo	A41D 13/1263
D856,633	S *	8/2019	Morrison	D2/720
2009/0217440	A1 *	9/2009	Sutker	A41D 13/0058 2/114
2013/0191959	A1 *	8/2013	Quiroga	A41D 13/1245 2/114
2015/0216242	A1 *	8/2015	Evans	A41D 27/208 2/114
2015/0374048	A1 *	12/2015	Theodossiou	A41D 13/1245 2/114
2016/0128391	A1 *	5/2016	Moore	A41D 13/1245 2/128

* cited by examiner

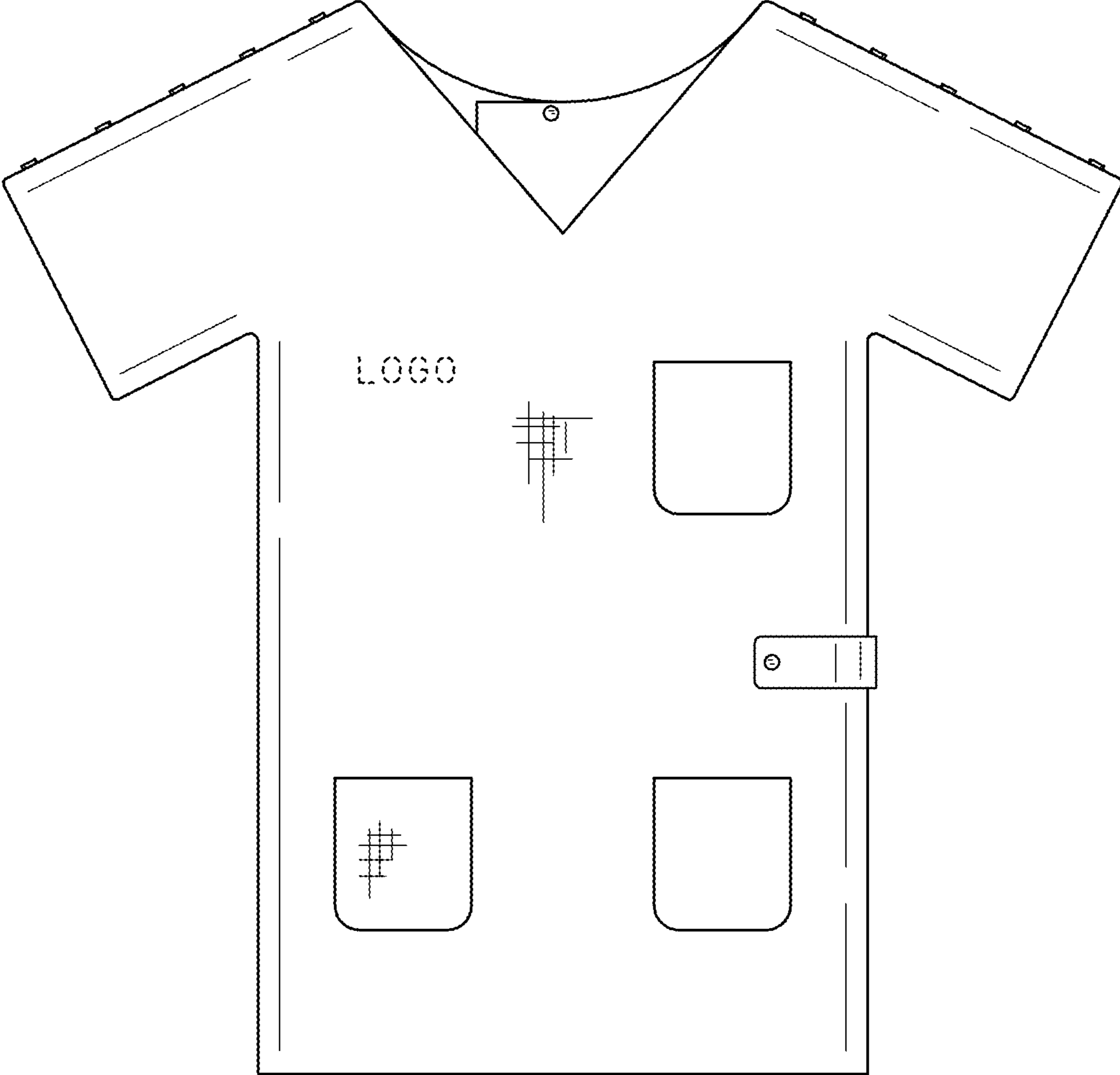


FIG. 1

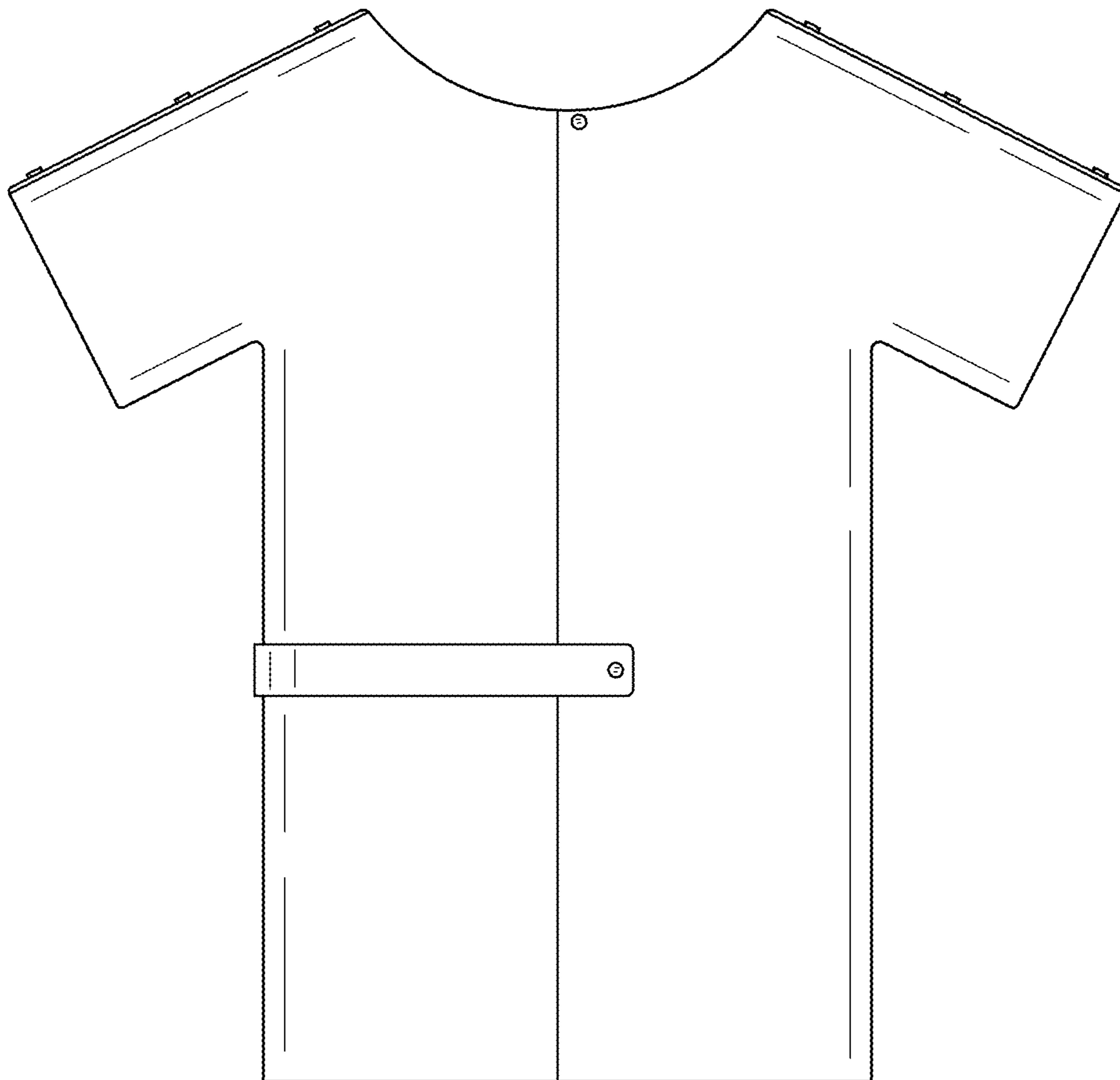


FIG. 2

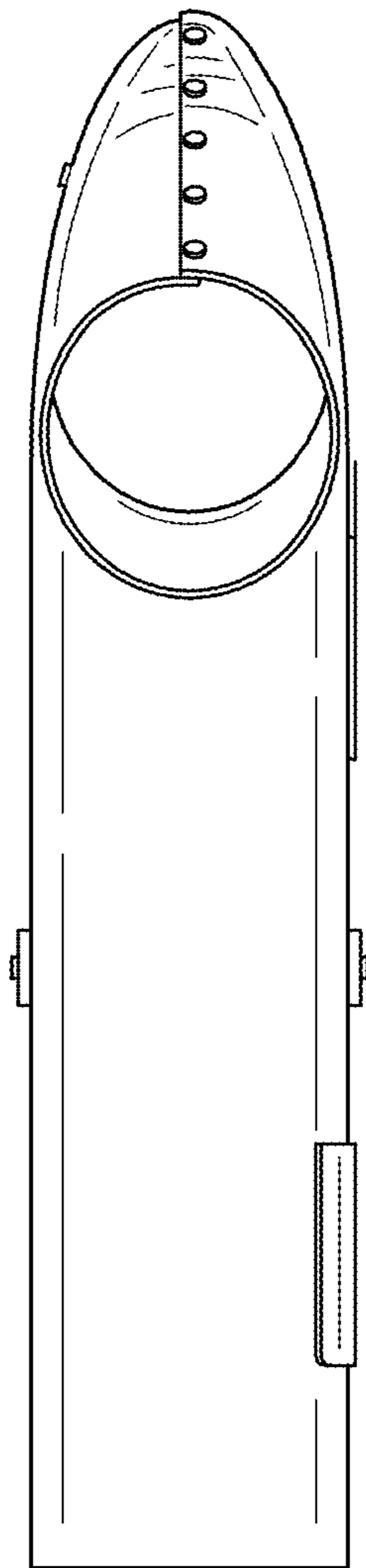


FIG. 3

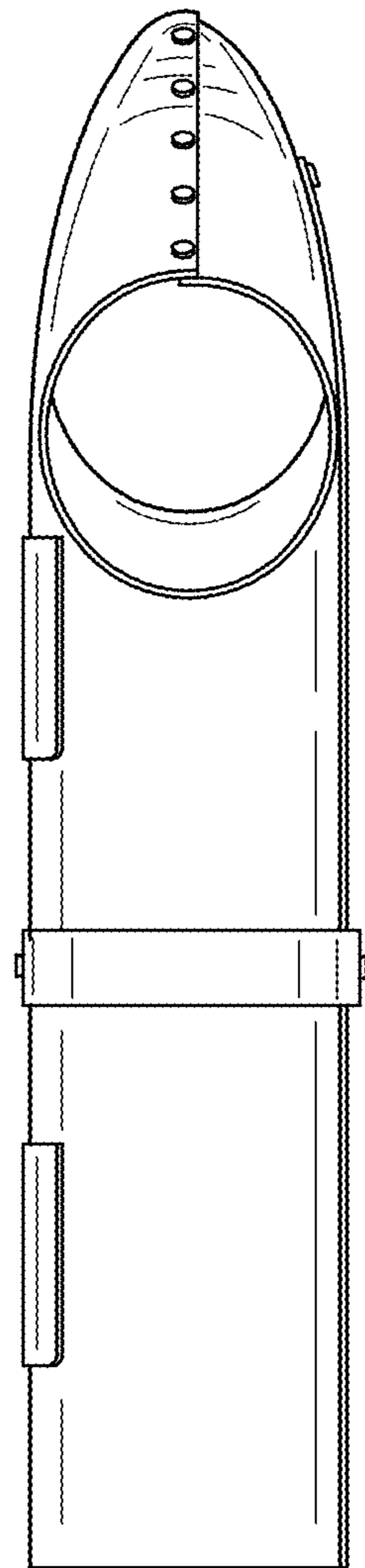


FIG. 4

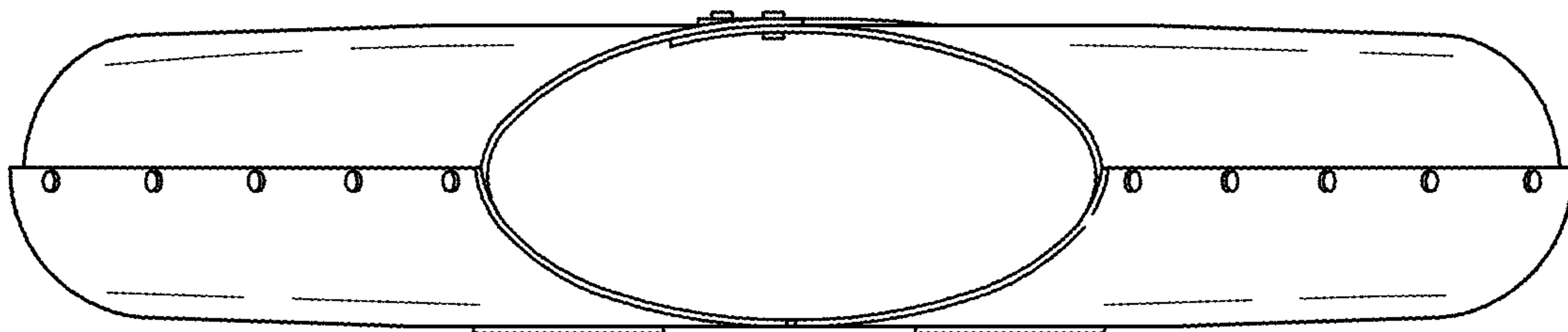


FIG. 5

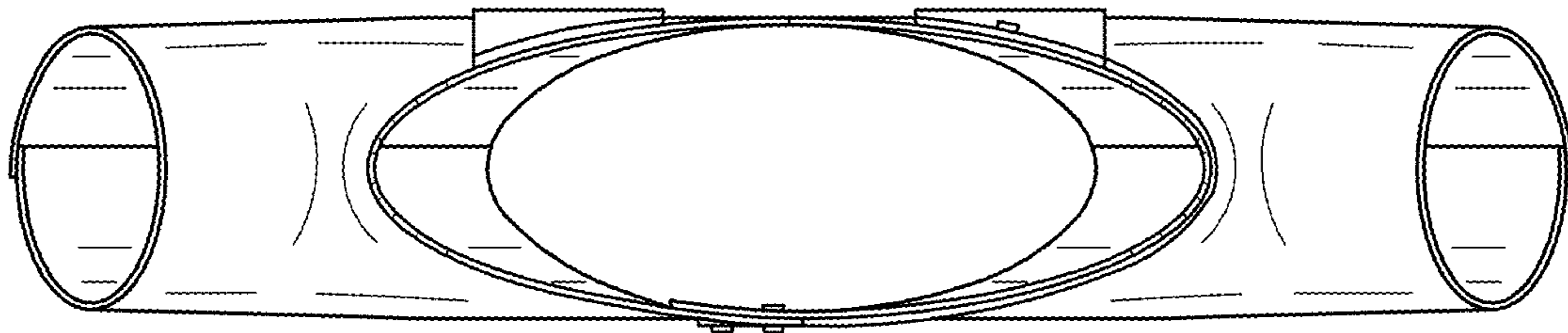


FIG. 6

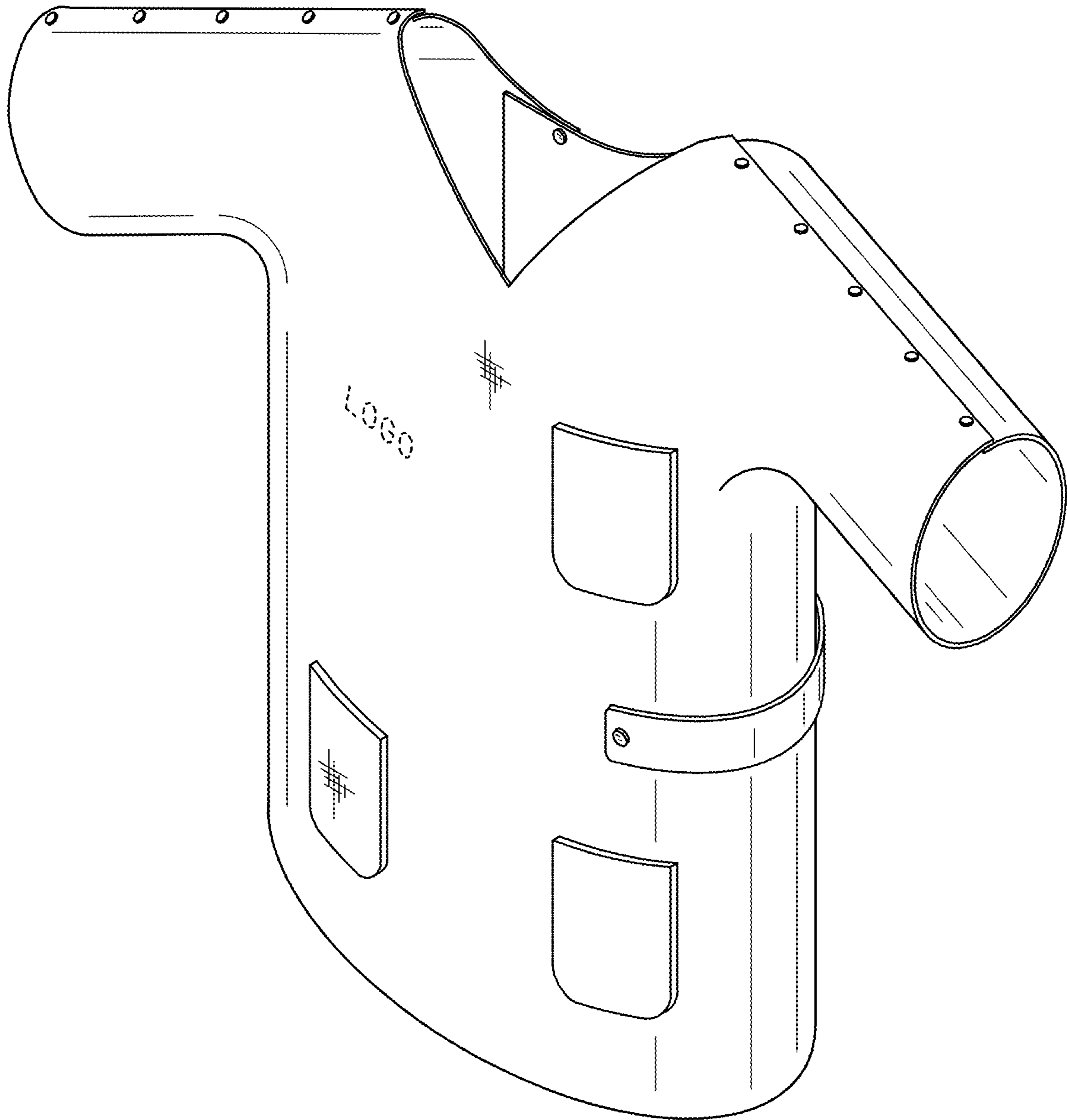


FIG. 7