



US00D894524S

(12) **United States Design Patent** (10) **Patent No.:** **US D894,524 S**  
**Bunch** (45) **Date of Patent:** **\*\* Aug. 25, 2020**

(54) **TEARDROP SHAPED MAILBOX**  
(71) Applicant: **Ian Bunch**, Chadds Ford, PA (US)  
(72) Inventor: **Ian Bunch**, Chadds Ford, PA (US)  
(\*\*) Term: **15 Years**  
(21) Appl. No.: **29/662,148**  
(22) Filed: **Sep. 3, 2018**  
(51) **LOC (12) Cl.** ..... **99-00**  
(52) **U.S. Cl.**  
USPC ..... **D99/30**  
(58) **Field of Classification Search**  
USPC ..... D99/28, 29, 30, 31, 32, 43, 99; 312/35;  
232/1 R, 1 A, 1 C, 1 D, 4 R, 2, 17, 19,  
232/20, 21, 22, 24, 27, 30, 31, 37, 38, 39,  
232/44, 45  
CPC ..... A47G 29/12; A47G 29/1201; A47G  
29/1203; A47G 29/1205; A47G 29/1207;  
A47G 29/1209; A47G 29/121; A47G  
29/1212; A47G 29/1214; A47G 29/1216;  
A47G 29/1218; A47G 29/122; A47G  
29/1225; A47G 29/16; A47G 29/00  
See application file for complete search history.

(56) **References Cited**  
U.S. PATENT DOCUMENTS  
D110,430 S \* 7/1938 Geis ..... D99/32  
2,249,731 A \* 7/1941 Gilstrap ..... A47G 29/1209  
292/74  
D221,361 S \* 8/1971 Parker ..... D99/29

D254,335 S \* 2/1980 Hodge ..... D99/29  
D342,367 S \* 12/1993 Lamancusa ..... D99/30  
D354,611 S \* 1/1995 Hazlett ..... D30/110  
D484,668 S \* 12/2003 Morgan ..... D99/29  
D493,937 S \* 8/2004 Dillilo ..... D99/29  
D499,524 S \* 12/2004 Taylor ..... D99/32  
D509,638 S \* 9/2005 Moritz ..... D99/5  
D510,785 S \* 10/2005 King ..... D99/30  
D511,604 S \* 11/2005 Moritz ..... D99/5  
6,974,073 B1 \* 12/2005 Snyder ..... A47G 29/1203  
232/1 C  
D547,925 S \* 7/2007 Schappler ..... D99/29  
D727,589 S \* 4/2015 Amato ..... D99/29  
D878,004 S \* 3/2020 Tsukii ..... D99/30

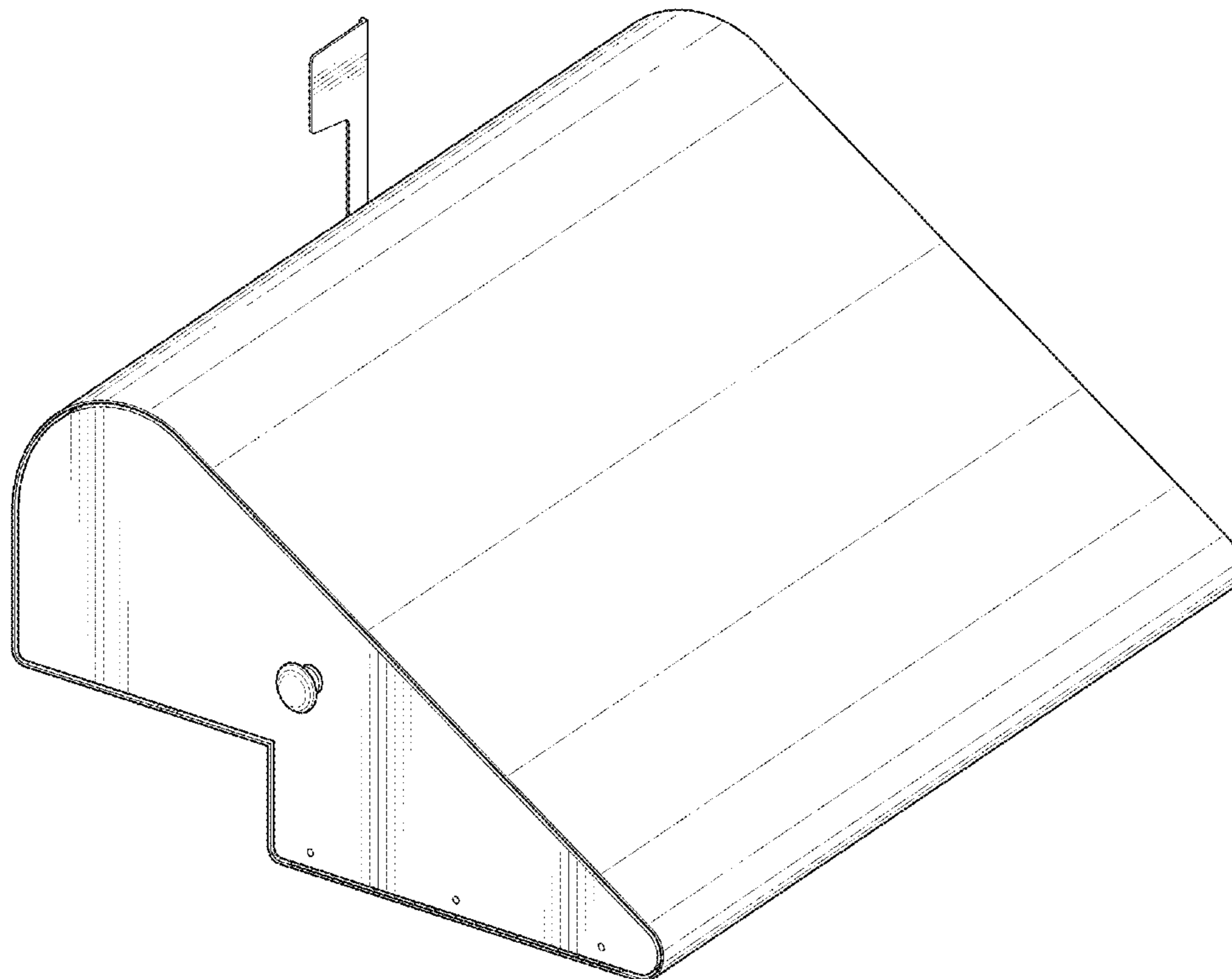
\* cited by examiner

*Primary Examiner* — Elizabeth J Oswecki  
(74) *Attorney, Agent, or Firm* — Joseph E. Maenner;  
Maenner & Associates, LLC

(57) **CLAIM**  
The ornamental design for a teardrop shaped mailbox, as shown and described.

**DESCRIPTION**  
FIG. 1 is a perspective view of a teardrop shaped mailbox, showing my new design;  
FIG. 2 is a front elevation view thereof;  
FIG. 3 is a rear elevation view thereof;  
FIG. 4 is a left elevation view thereof;  
FIG. 5 is a right elevation view thereof;  
FIG. 6 is a top plan view thereof; and,  
FIG. 7 is a bottom plan view thereof.

**1 Claim, 7 Drawing Sheets**



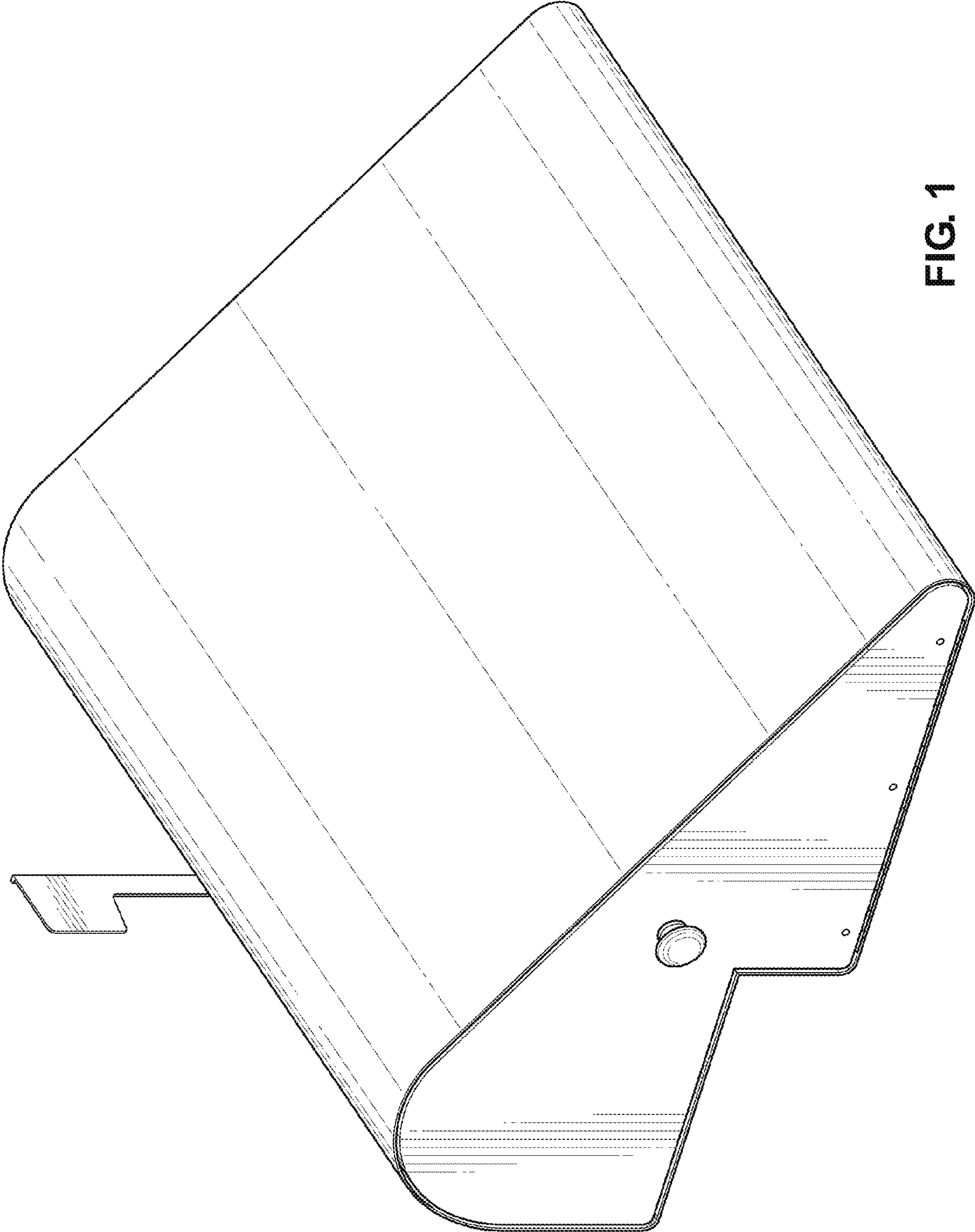


FIG. 1

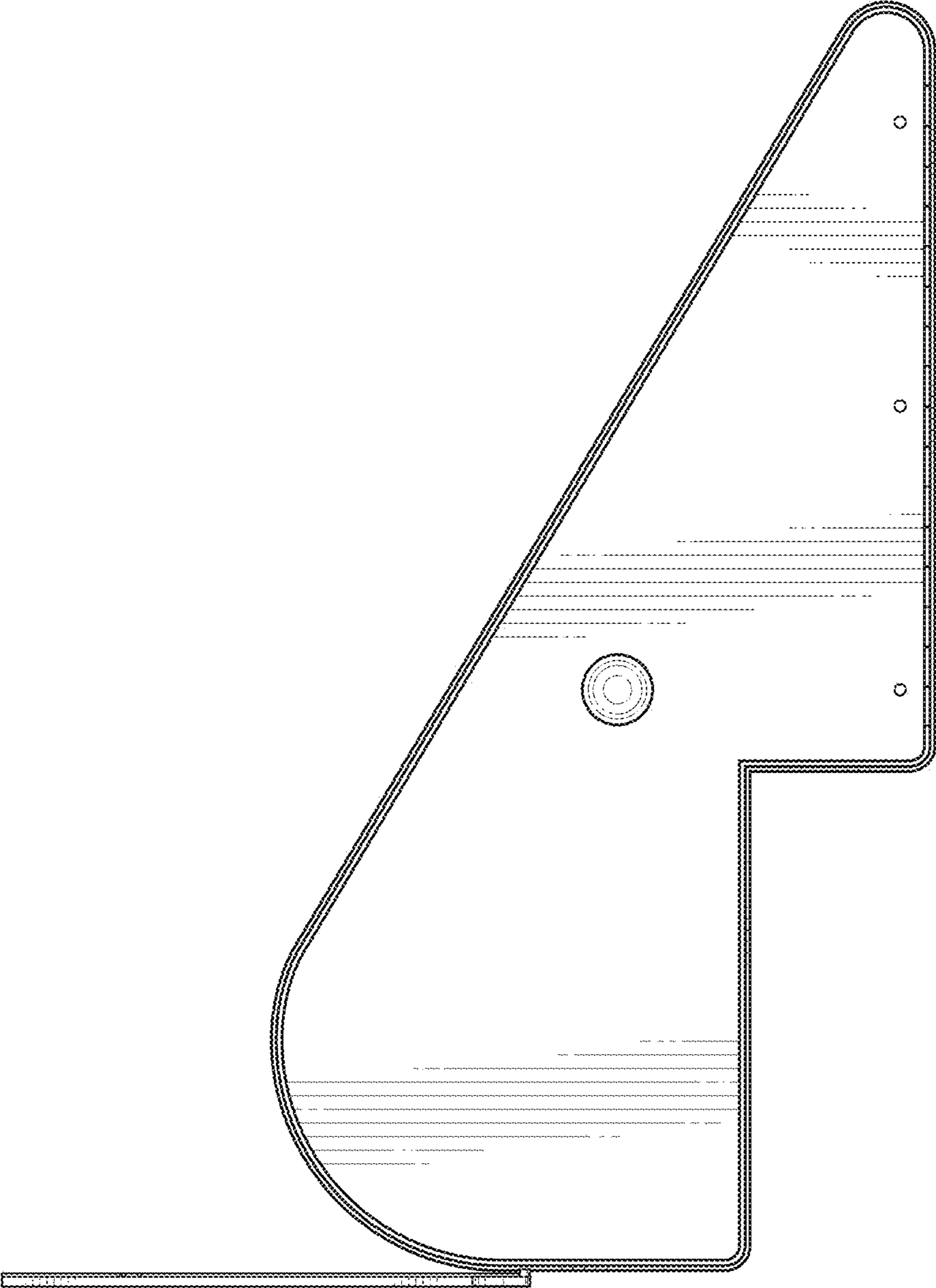


FIG. 2

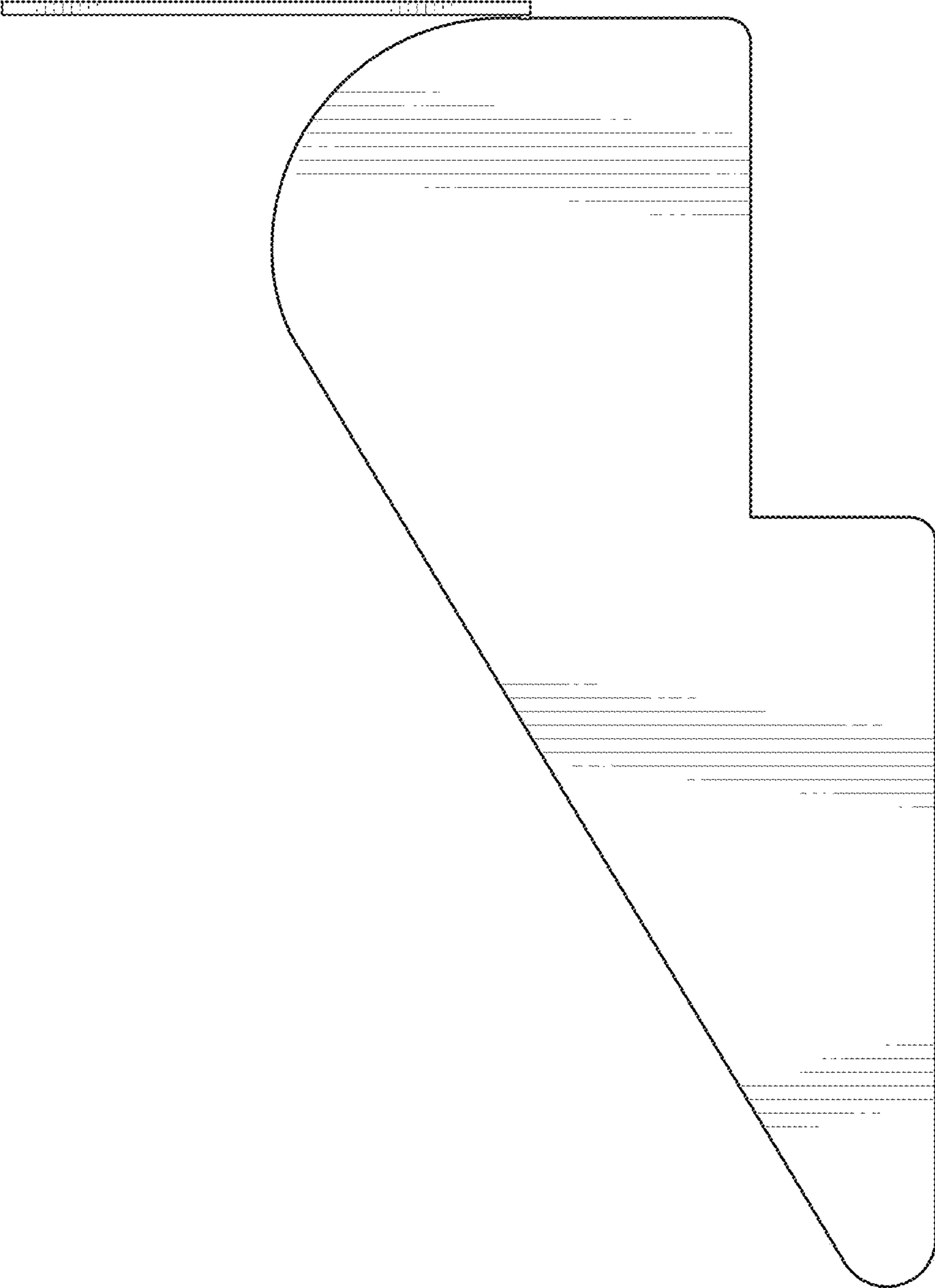


FIG. 3

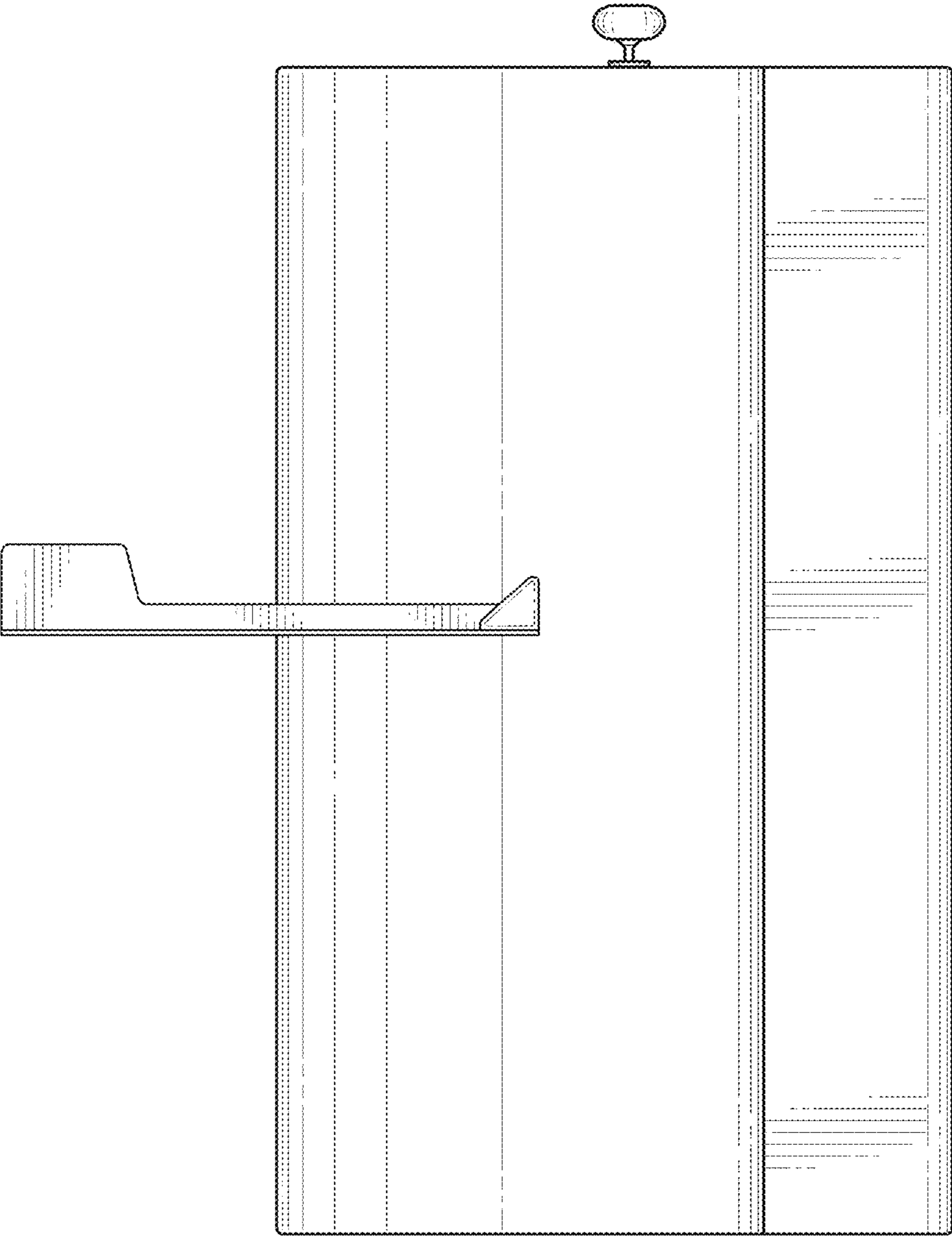


FIG. 4

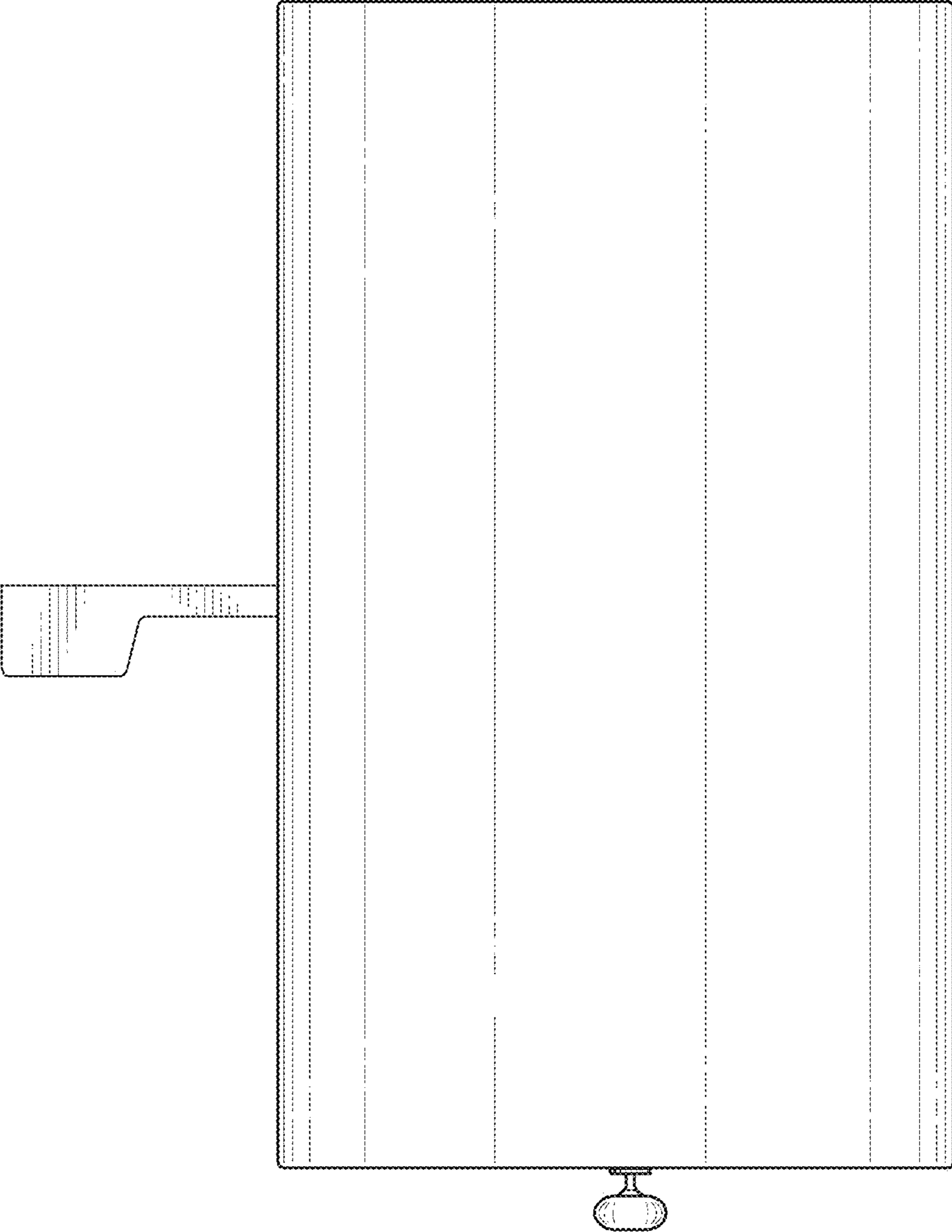
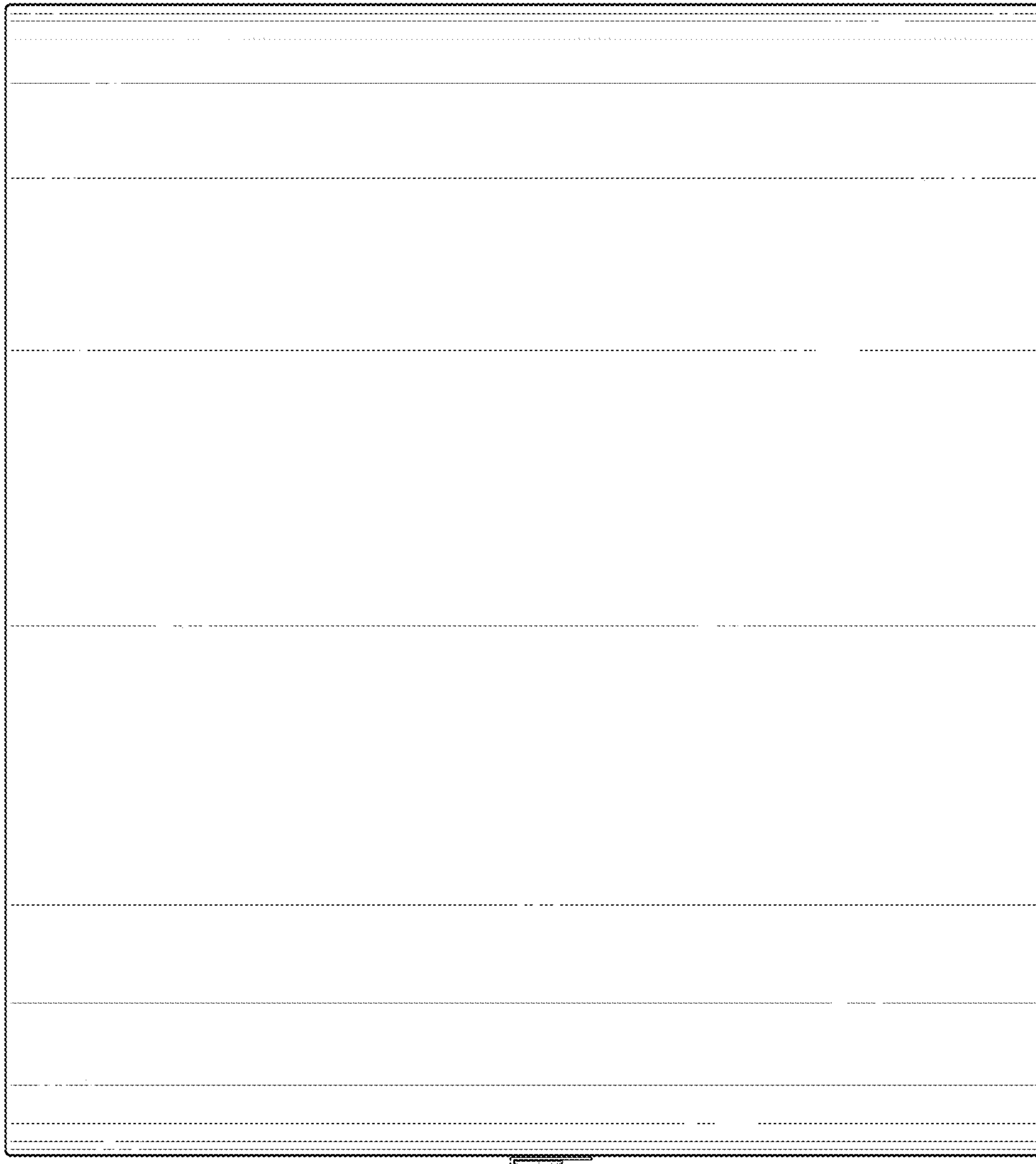


FIG. 5



**FIG. 6**

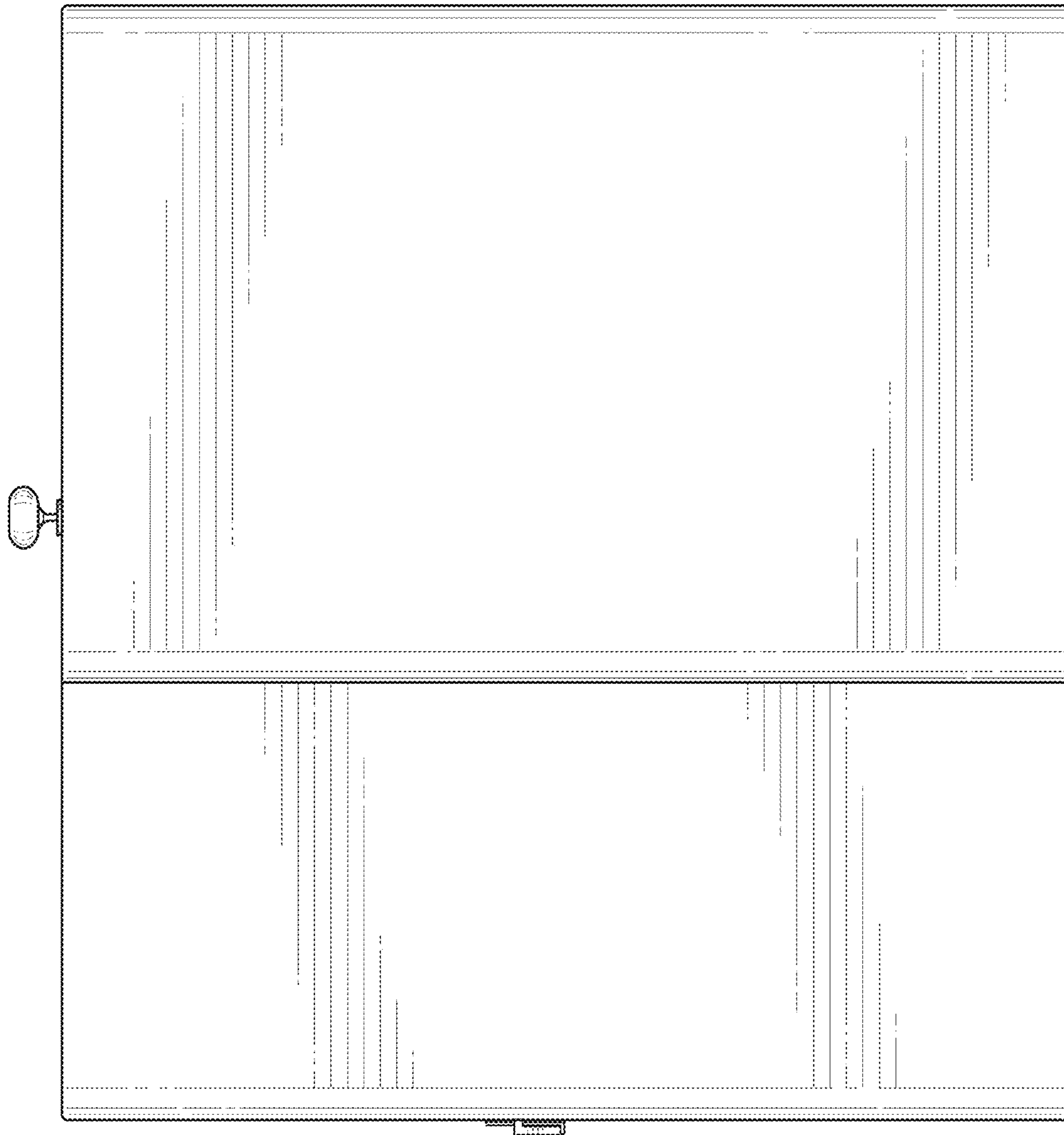


FIG. 7