



US00D894521S

(12) **United States Design Patent** (10) **Patent No.:** **US D894,521 S**
Falvey (45) **Date of Patent:** **** Aug. 25, 2020**

(54) **KEG ASSEMBLY**
(71) Applicant: **Petainer Large Container IP Limited**,
London (GB)
(72) Inventor: **James Falvey**, Houghton Regis (GB)
(73) Assignee: **Petainer Large Container IP Limited**
(GB)

(**) Term: **15 Years**
(21) Appl. No.: **29/619,902**
(22) Filed: **Oct. 3, 2017**

(30) **Foreign Application Priority Data**
Apr. 7, 2017 (EP) 003847839-0001
(51) **LOC (12) Cl.** **09-02**
(52) **U.S. Cl.**
USPC **D34/39**
(58) **Field of Classification Search**
USPC D34/39; 220/495.03, 592.19, 592.16,
220/254.1; 137/212, 317; D7/306
CPC .. B67D 1/0832; B67D 1/0829; B67D 1/0801;
B65D 11/06; B65D 2543/00092; F25D
2331/802; F25D 3/06; B62B 2202/02
See application file for complete search history.

(56) **References Cited**
U.S. PATENT DOCUMENTS
D374,959 S * 10/1996 Mull D34/39
D497,283 S * 10/2004 Groombridge D7/306
D558,950 S * 1/2008 Brans D34/39
D560,873 S * 1/2008 Brans D34/39
D574,574 S * 8/2008 Bax D34/39
8,646,660 B2 * 2/2014 Bates B65D 7/045
220/495.03

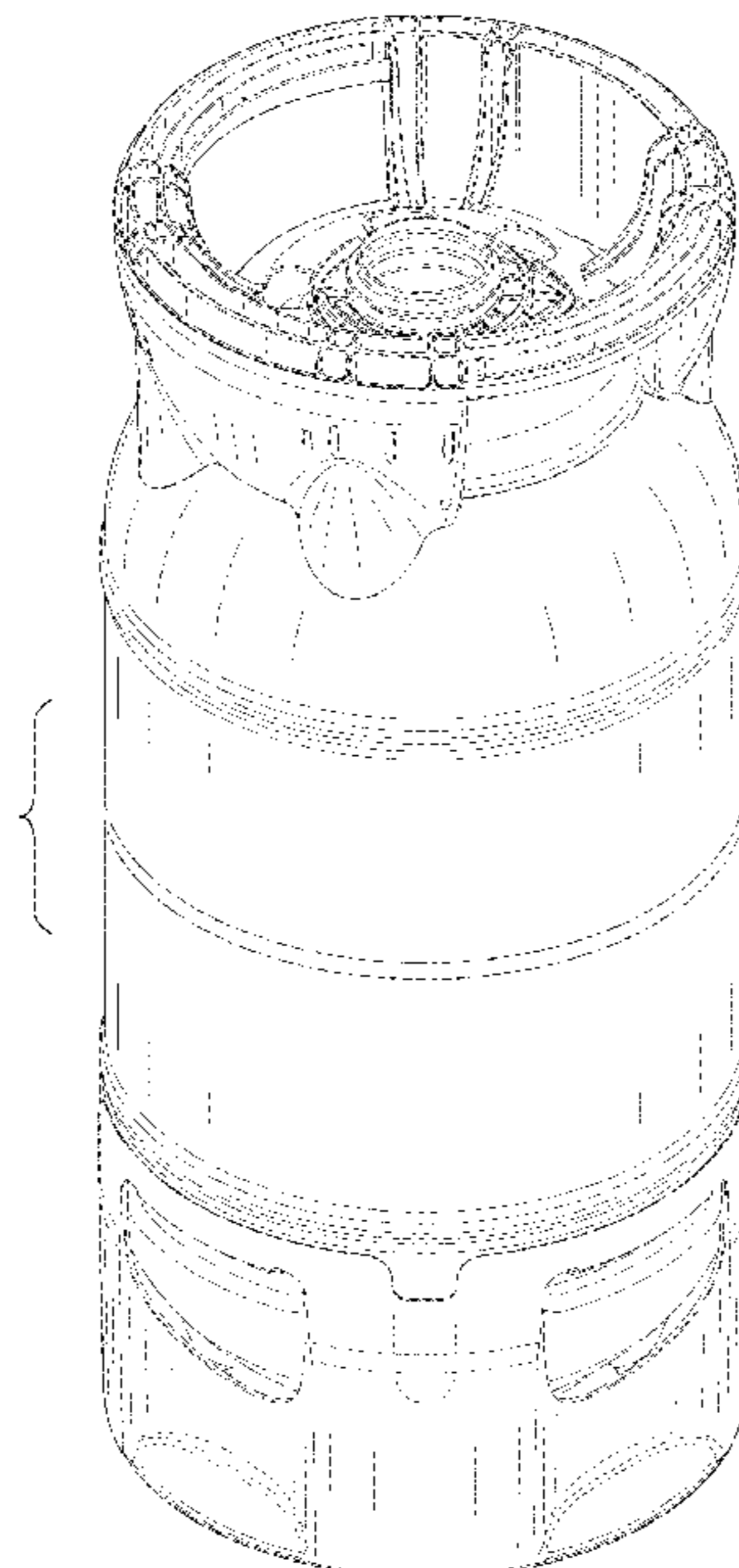
D701,763 S * 4/2014 Chur D9/435
D725,864 S * 3/2015 Sonzogni D34/39
9,045,325 B2 * 6/2015 Apps B65D 11/08
9,359,100 B2 * 6/2016 Smith B65D 1/0223
9,434,505 B2 * 9/2016 Apps B65D 11/08
D799,146 S * 10/2017 Fuller D34/39
10,253,284 B2 * 4/2019 Blichmann C12C 13/10
2011/0180535 A1 * 7/2011 Apps B65D 11/08
220/254.1

* cited by examiner
Primary Examiner — Gino Colan
(74) *Attorney, Agent, or Firm* — Stevens & Showalter
LLP

(57) **CLAIM**
The ornamental design for a keg assembly, as shown and
described.

DESCRIPTION
FIG. 1 is a top front perspective view of a keg assembly
showing my new design;
FIG. 2 is a bottom front perspective view thereof;
FIG. 3 is a front view thereof;
FIG. 4 is a back view thereof;
FIG. 5 is a right side view thereof;
FIG. 6 is a left side view thereof;
FIG. 7 is a bottom view thereof; and,
FIG. 8 is a top view thereof.
The broken lines shown in the figures are for the purpose of
illustrating portions of the keg assembly which form no part
of the claimed design. Additionally, the keg assembly is
shown with a symbolic break in its length, designated by the
dot-dashed lines along the sides of the keg assembly. The
appearance of any portion of the article between the dot-
dashed lines forms no part of the claimed design.

1 Claim, 7 Drawing Sheets



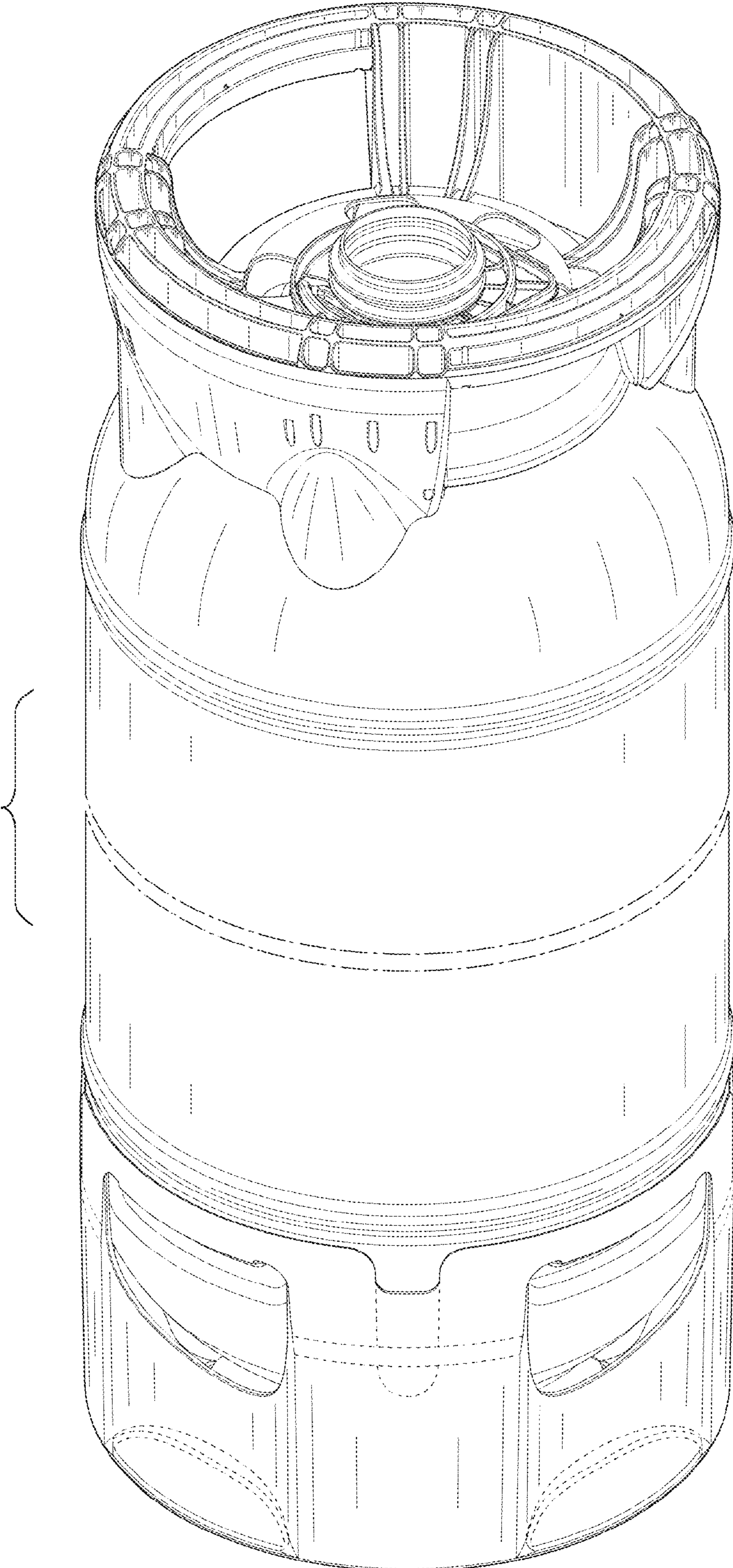


FIG. 1

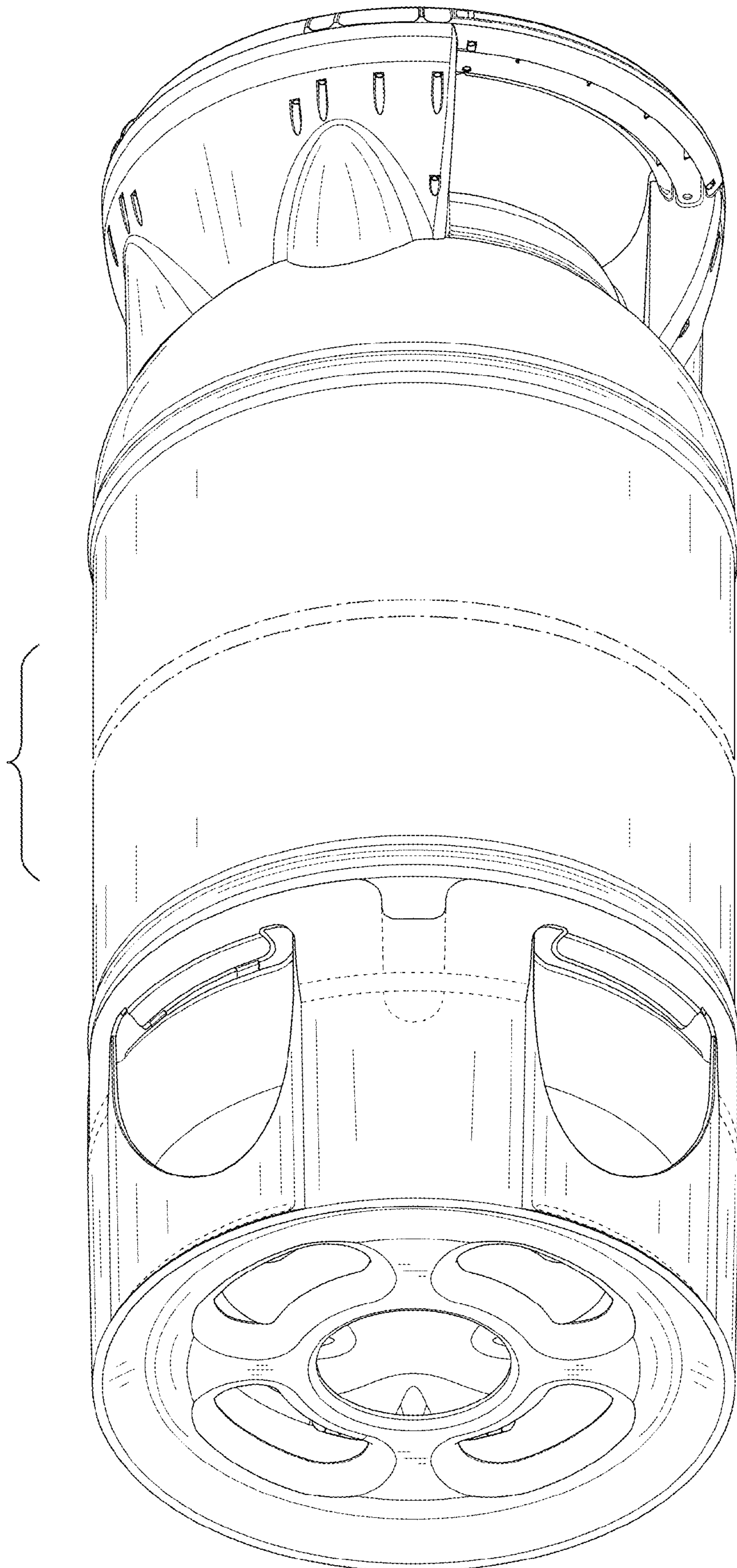


FIG. 2

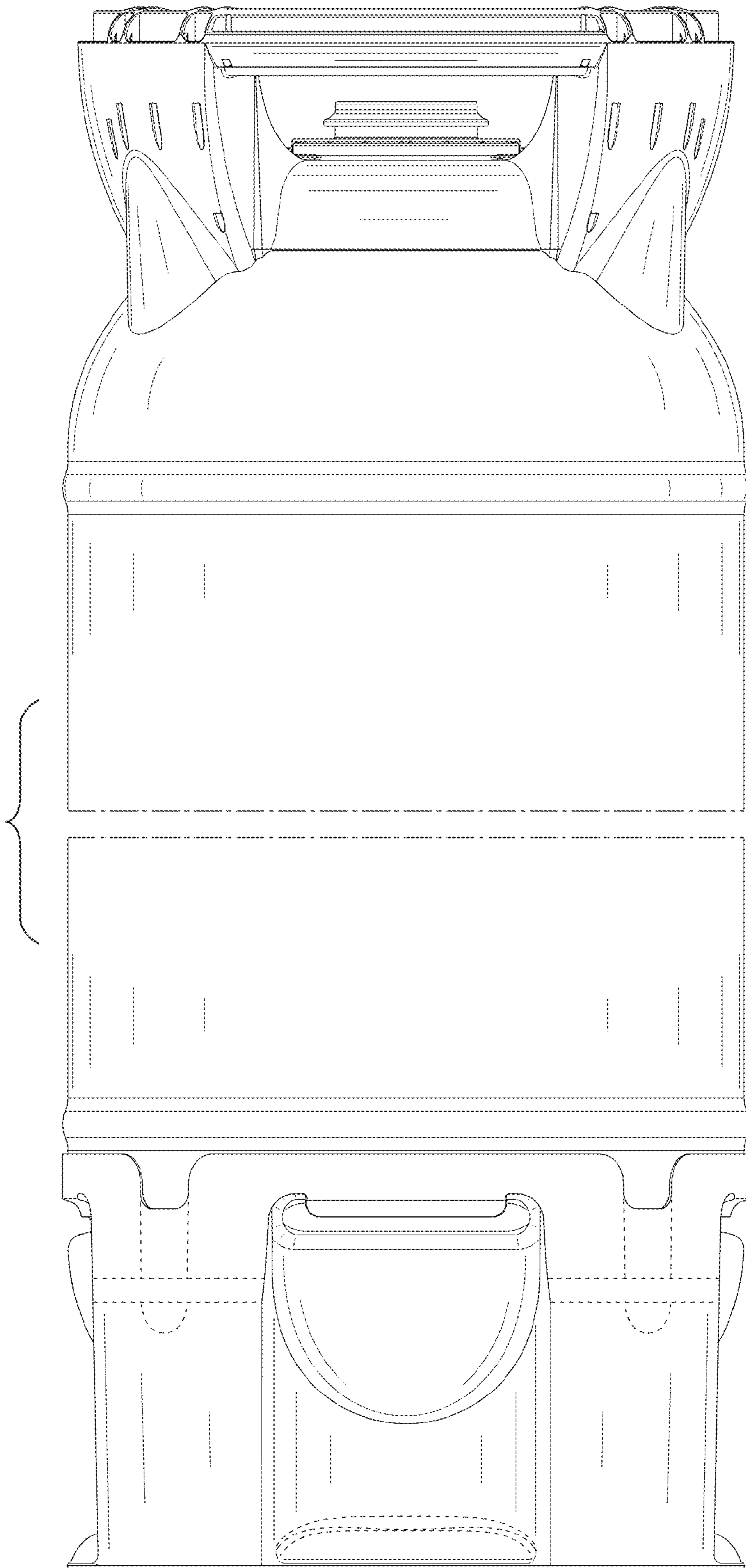


FIG. 3

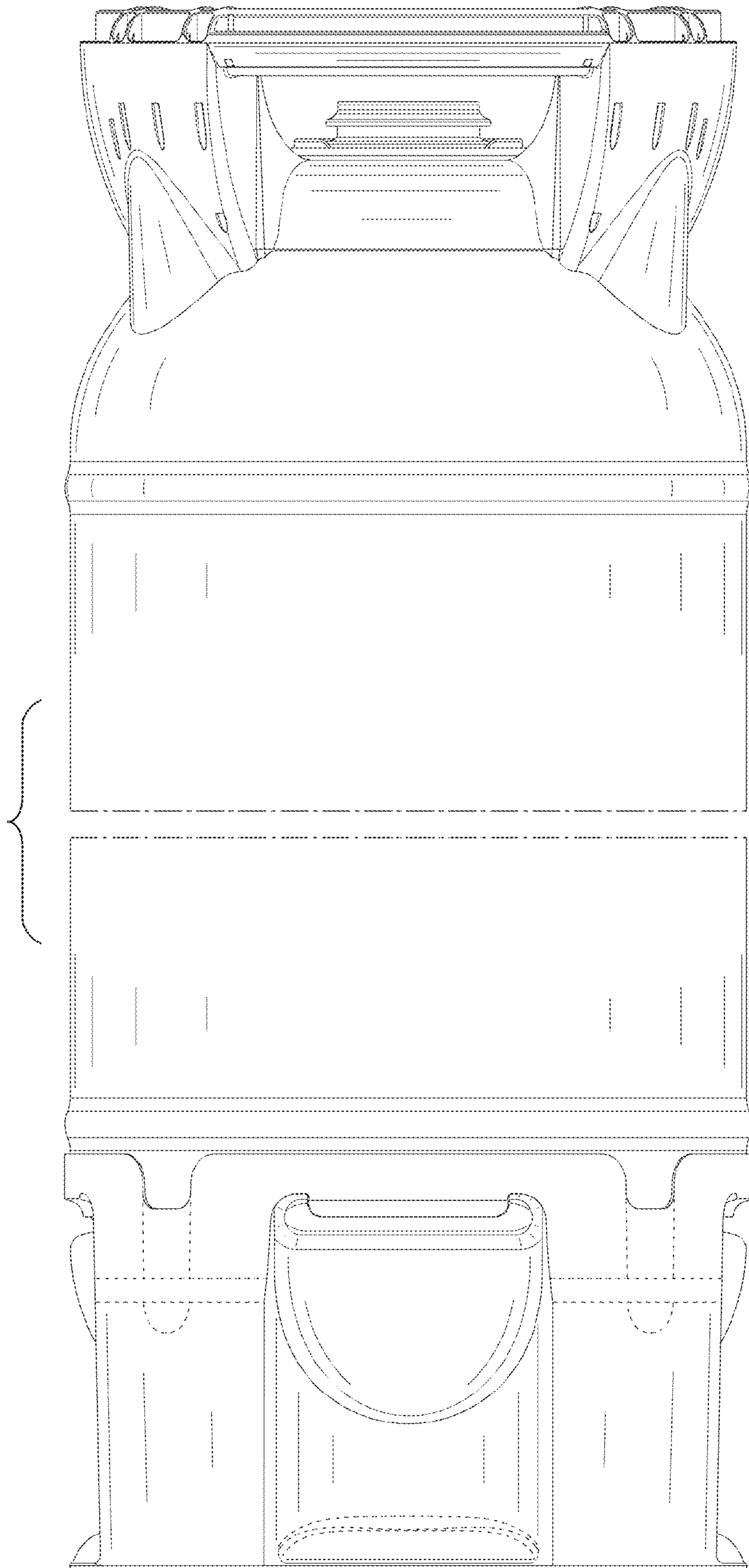


FIG. 4

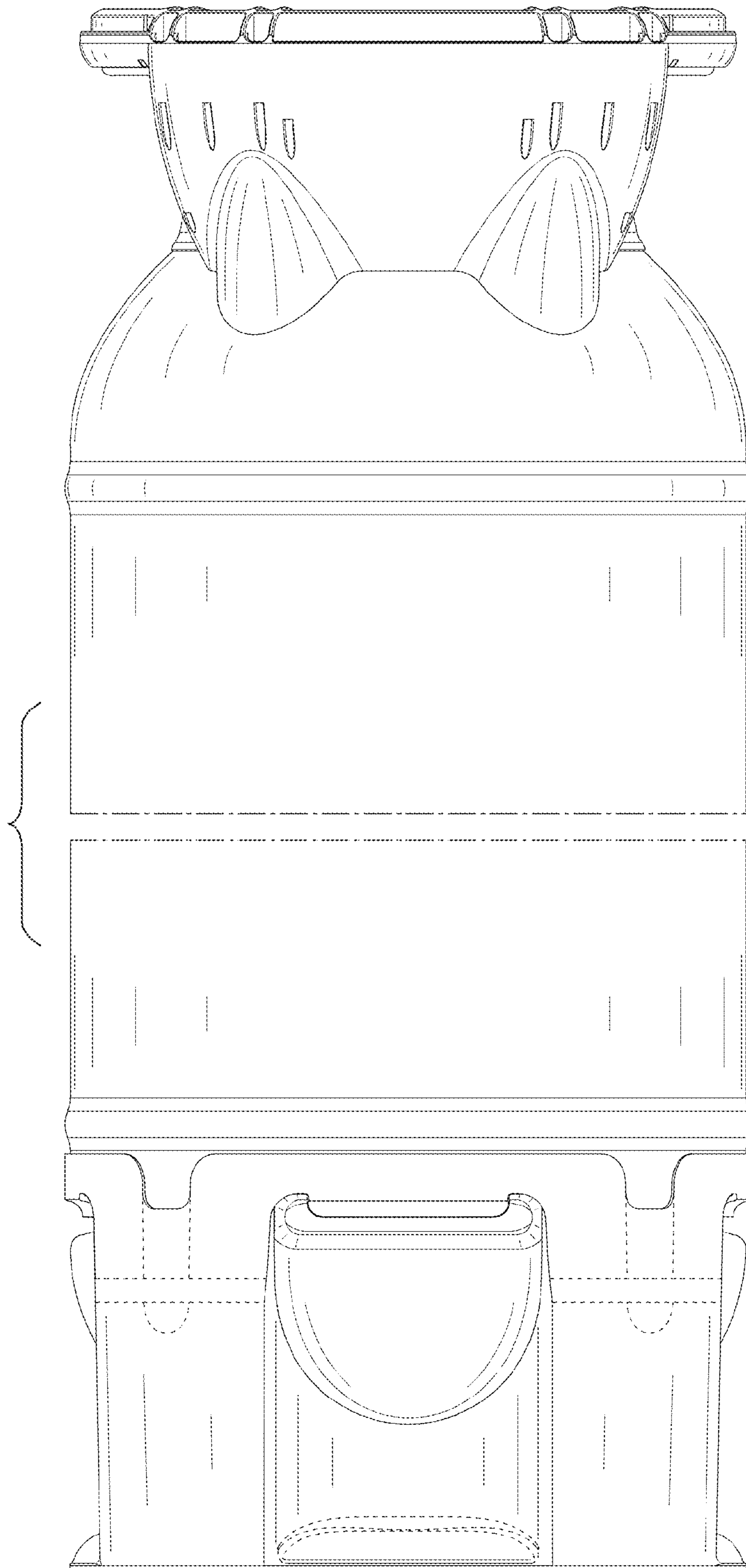


FIG. 5

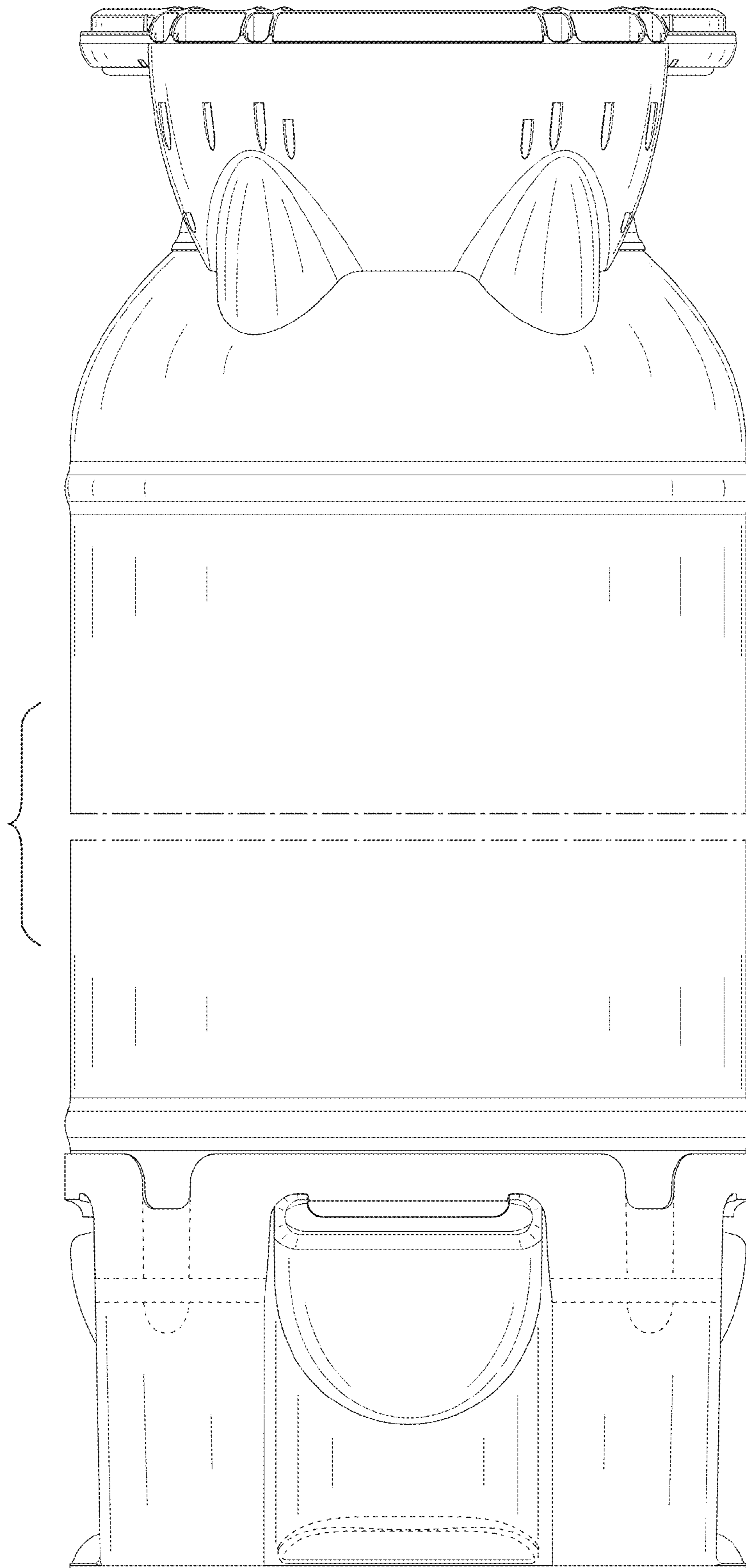


FIG. 6

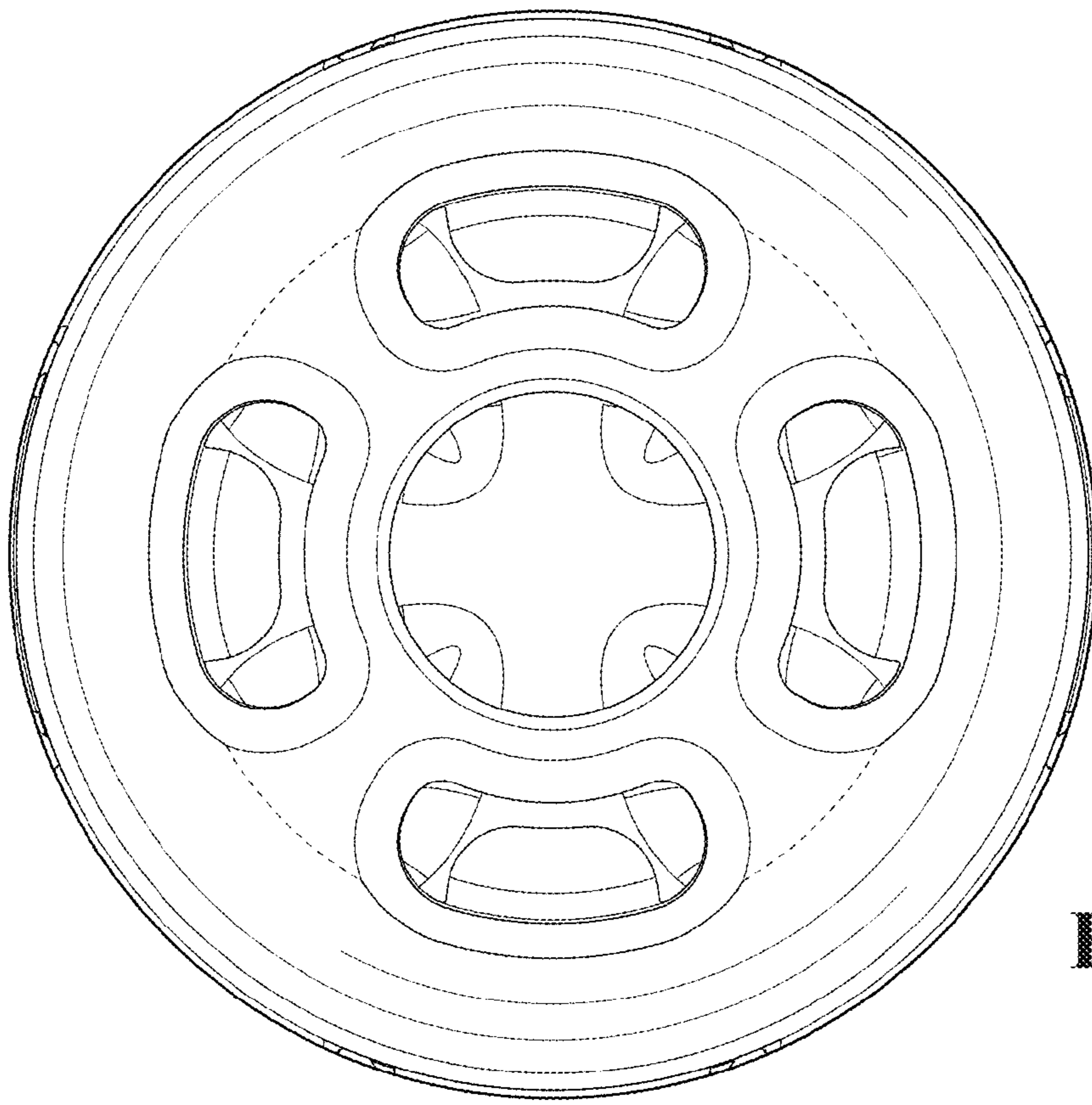


FIG. 7

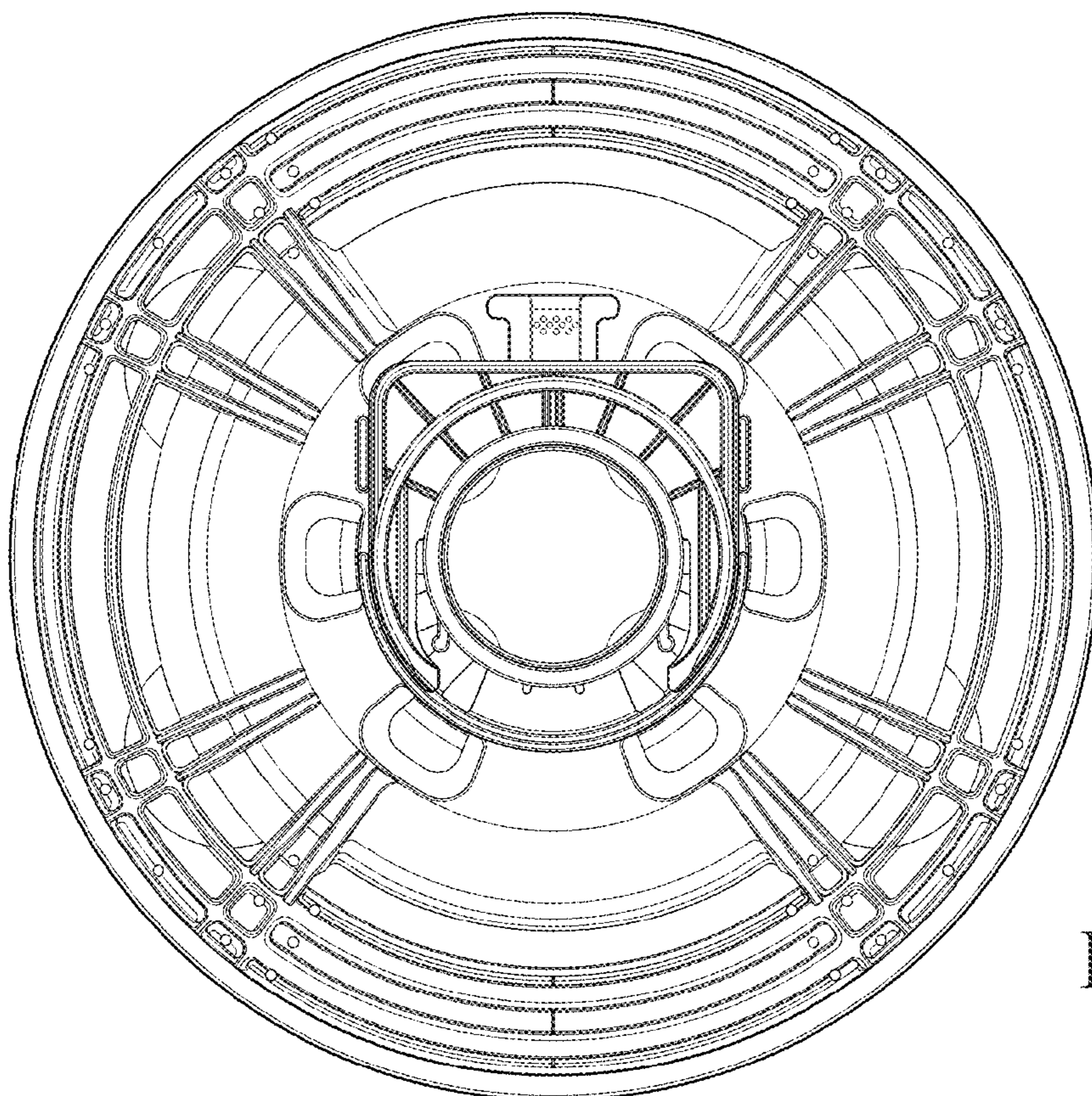


FIG. 8