



US00D894518S

(12) **United States Design Patent** (10) **Patent No.:** **US D894,518 S**  
**Steadman** (45) **Date of Patent:** **\*\* Aug. 25, 2020**

(54) **BATH-LIFT**

(71) Applicant: **William Lee Steadman**, Bromsgrove (GB)

(72) Inventor: **William Lee Steadman**, Bromsgrove (GB)

(\*\*) Term: **15 Years**

(21) Appl. No.: **29/646,314**

(22) Filed: **May 3, 2018**

(30) **Foreign Application Priority Data**

Nov. 6, 2017 (GB) ..... 6021387  
Nov. 6, 2017 (GB) ..... 6021388

(51) **LOC (12) Cl.** ..... **12-05**

(52) **U.S. Cl.**  
USPC ..... **D34/33; D34/28**

(58) **Field of Classification Search**  
USPC ..... D34/28, 33  
CPC .. A61G 7/1003; A61G 7/1015; A61G 7/1021;  
A61G 7/1088; A61G 7/1059; A61G  
7/1044  
See application file for complete search history.

(56) **References Cited**

**U.S. PATENT DOCUMENTS**

2,624,053 A \* 1/1953 Beckwith ..... A61G 7/1003  
4/565.1  
5,168,585 A \* 12/1992 Cox ..... A61G 7/1003  
4/560.1  
5,267,360 A \* 12/1993 Bassil ..... A61G 7/1003  
4/560.1  
D437,467 S \* 2/2001 Steadman ..... D34/33  
6,199,226 B1 \* 3/2001 Steadman ..... A61G 7/1003  
4/560.1  
6,397,410 B1 \* 6/2002 Steadman ..... A61G 7/1003  
4/560.1  
2002/0174482 A1 \* 11/2002 Steadman ..... A61G 7/1003  
4/565.1

(Continued)

**OTHER PUBLICATIONS**

<http://www.easy-bath.co.uk/>, Easy Bath lift google search for bath lifts, searched on Sep. 17, 2019 (Year: 2919).\*  
(Continued)

*Primary Examiner* — Cynthia Ramirez  
(74) *Attorney, Agent, or Firm* — Pearne & Gordon LLP

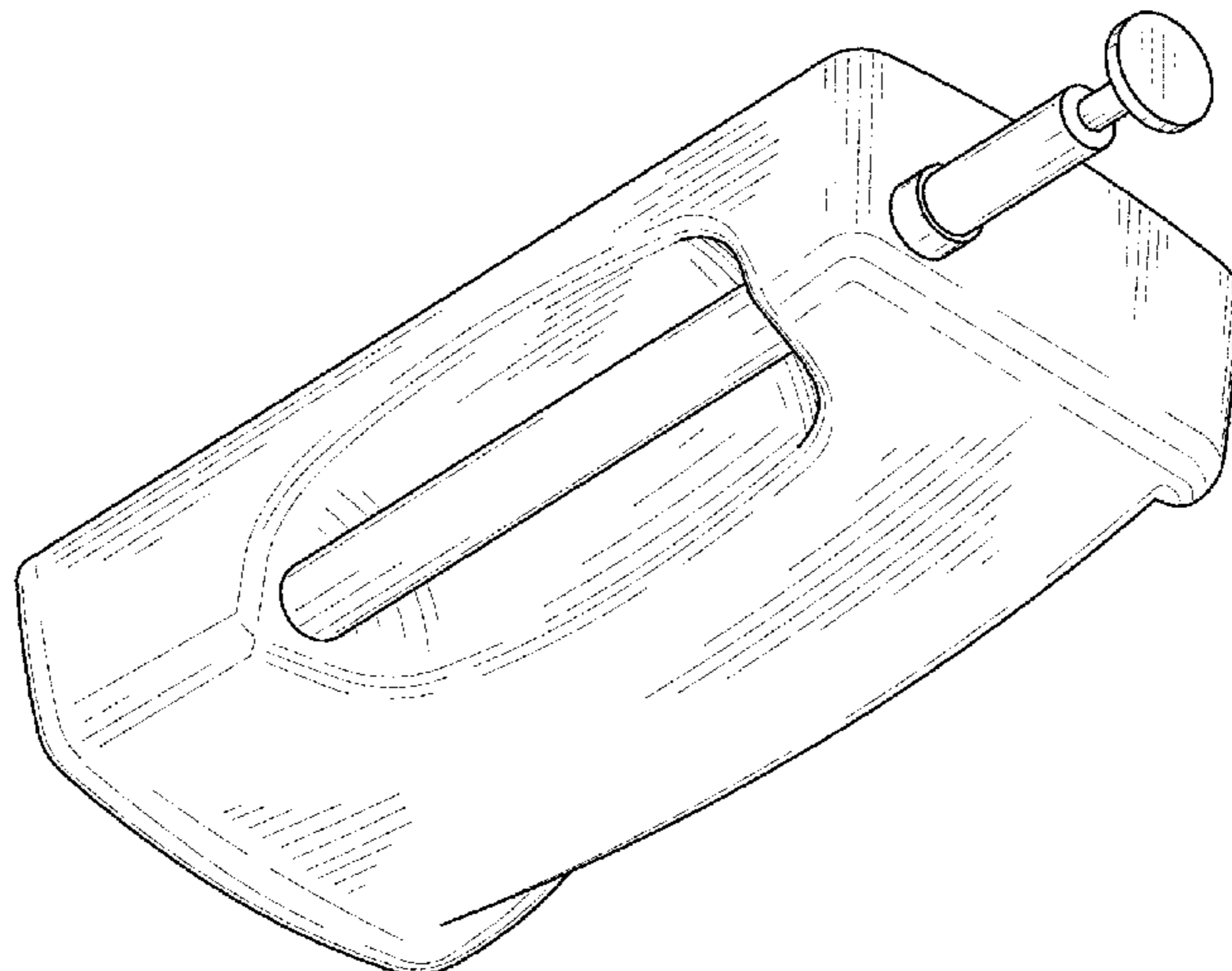
(57) **CLAIM**

I claim the ornamental design for a bath-lift, as shown and described.

**DESCRIPTION**

FIG. 1 is a perspective view of a bath-lift showing my new design;  
FIG. 2 is a left side view thereof;  
FIG. 3 is a front view thereof;  
FIG. 4 is a right side view thereof;  
FIG. 5 is a front view with the battery for the bath-lift removed;  
FIG. 6 is a top view thereof;  
FIG. 7 is a bottom view thereof;  
FIG. 8 is a perspective view of a second embodiment thereof;  
FIG. 9 is a left side view thereof;  
FIG. 10 is a front view thereof;  
FIG. 11 is a right side view thereof;  
FIG. 12 is a front view with the battery for the bath-lift removed;  
FIG. 13 is a top view thereof; and,  
FIG. 14 is a bottom view thereof.  
Broken lines in the figures are to show portions of the bath-lift which form no part of the claimed design. The dot-dash lines in FIGS. 5 and 12 are used to indicate an exploded view, and form no part of the claimed design.

**1 Claim, 4 Drawing Sheets**



(56)

**References Cited**

U.S. PATENT DOCUMENTS

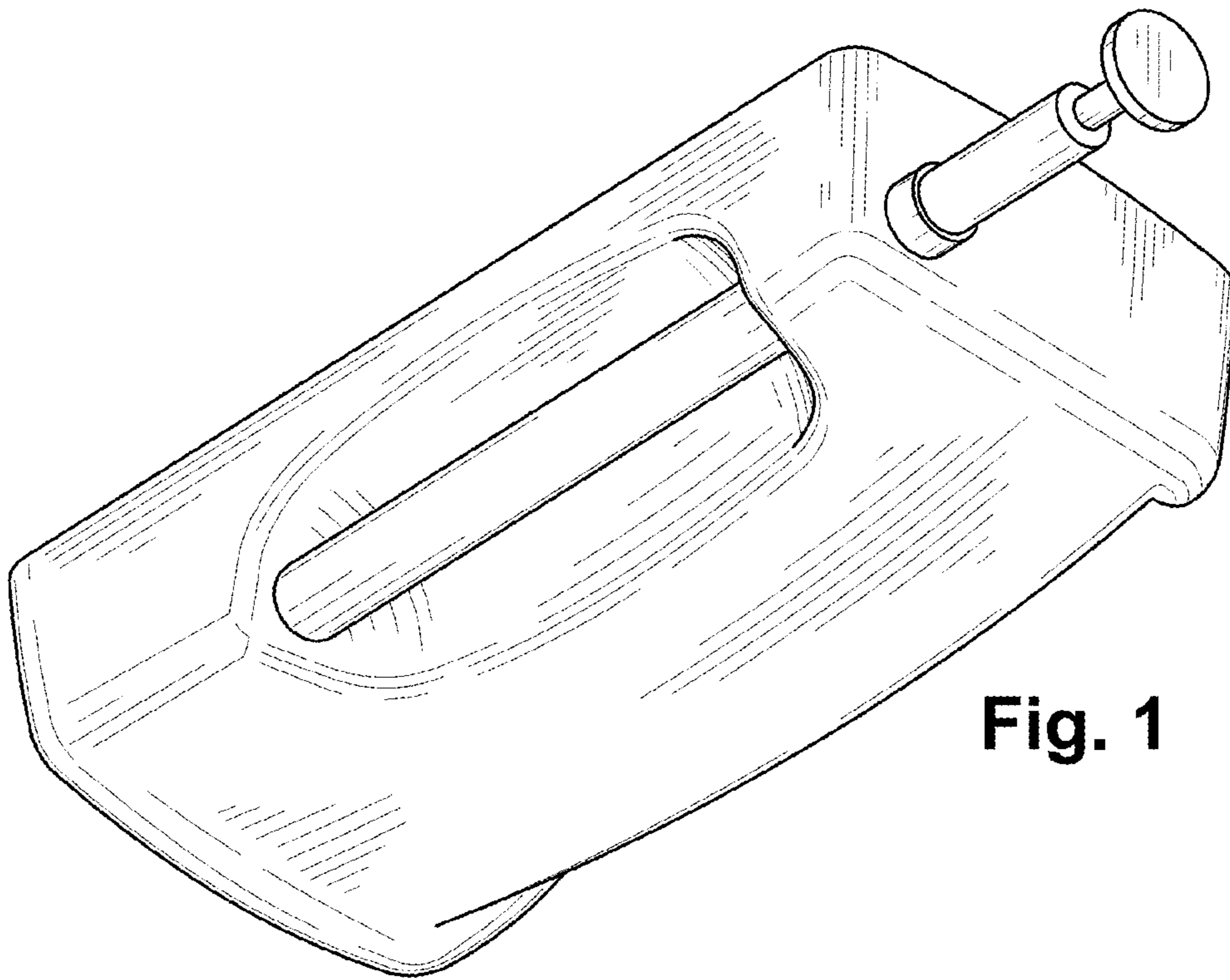
2019/0151176 A1\* 5/2019 Zeigler ..... A61G 7/1015

OTHER PUBLICATIONS

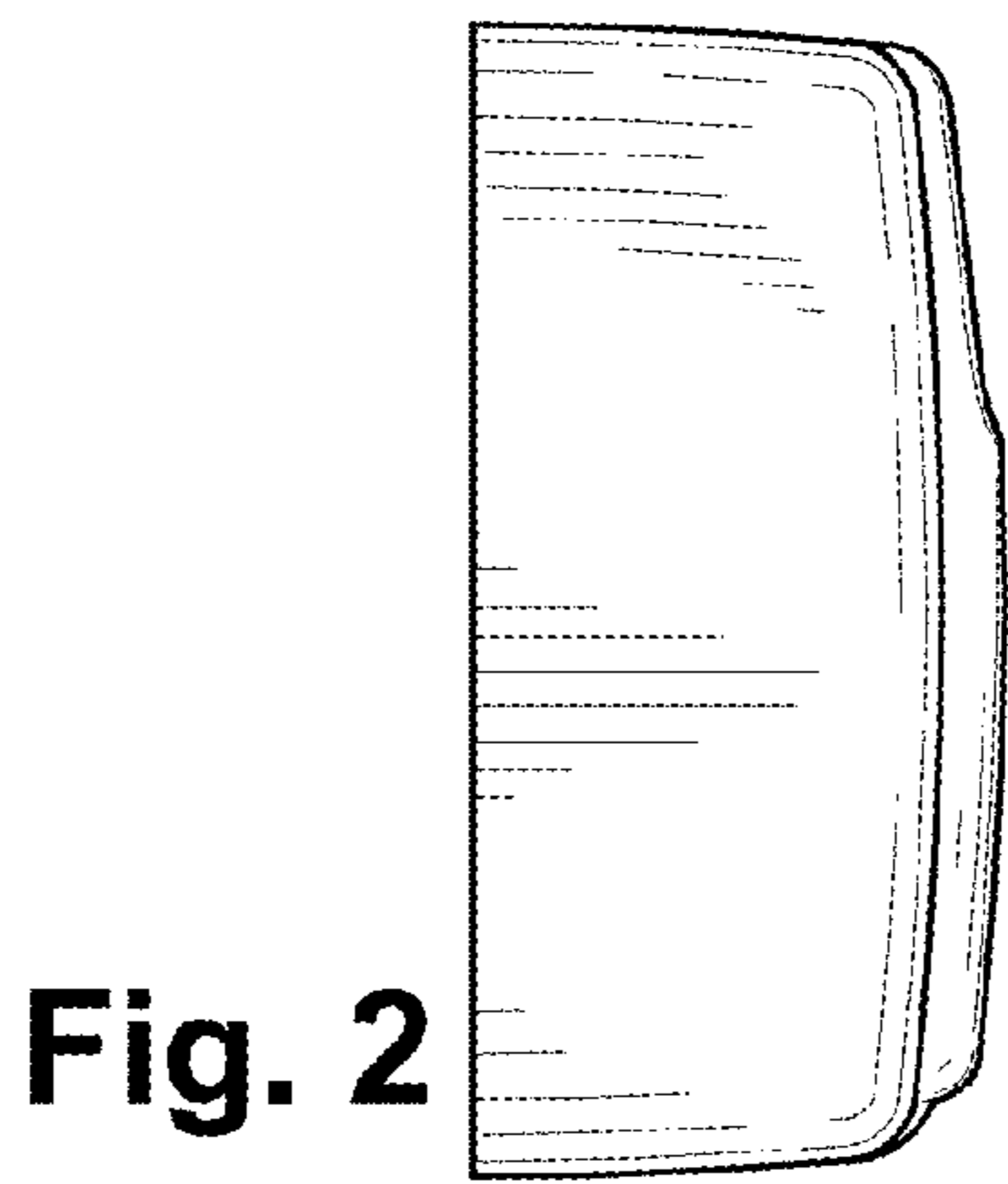
[www.livingmadeeasy.org.uk/personal%20care/band-bath-lifts-p/relaxa-bath-lift-0102077-319-information.htm](http://www.livingmadeeasy.org.uk/personal%20care/band-bath-lifts-p/relaxa-bath-lift-0102077-319-information.htm), Relaxa Bath Lift, Google search for bath lifts, searched on Sep. 17, 2019 (Year: 2019).\*

<https://1stseniorcare.com/products/molly-bath-lift-with-rechargeable-battery>, Molly Bath Lift with rechargeable battery, google search for bath lifts on Sep. 17, 2019 (Year: 2019).\*

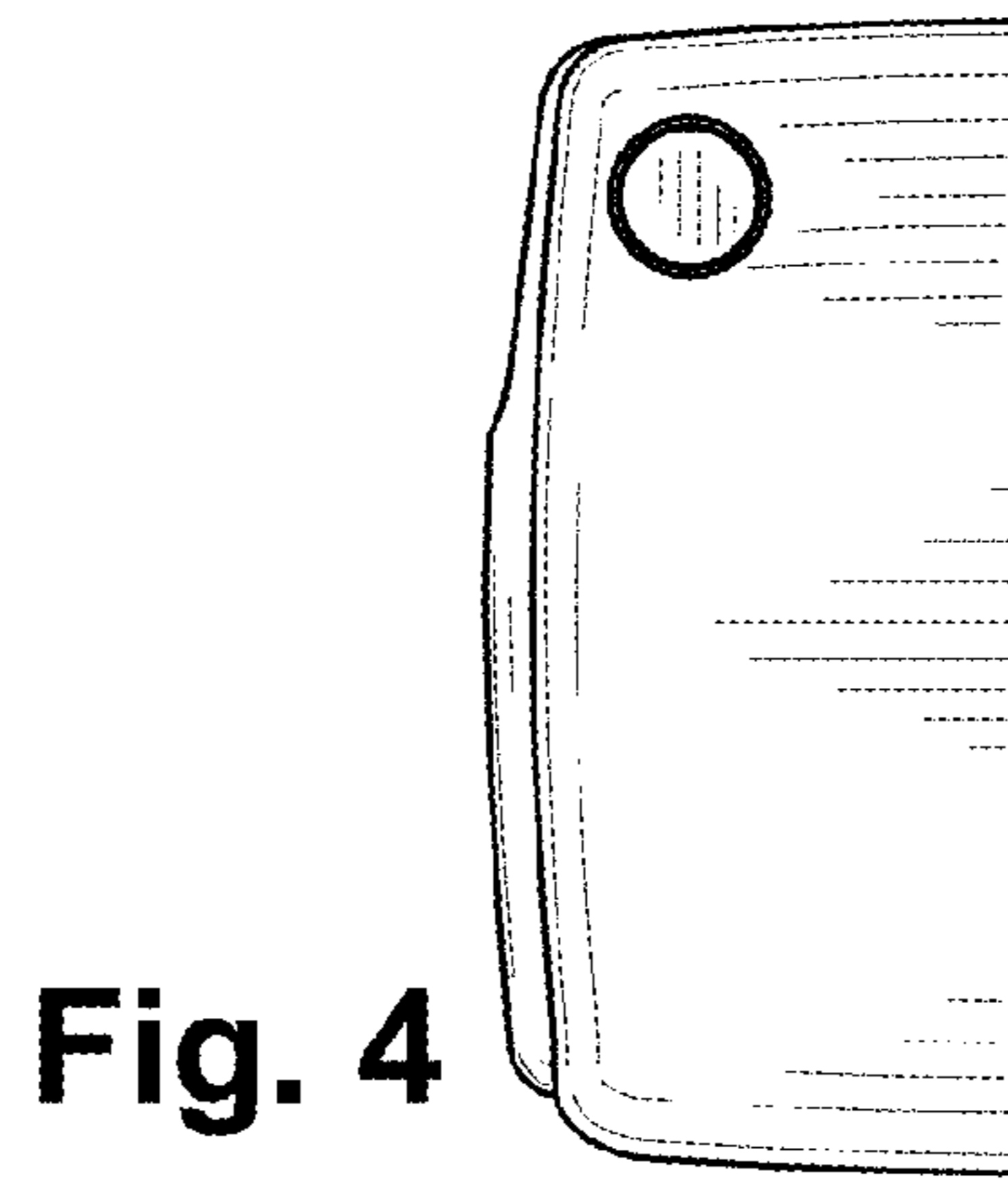
\* cited by examiner



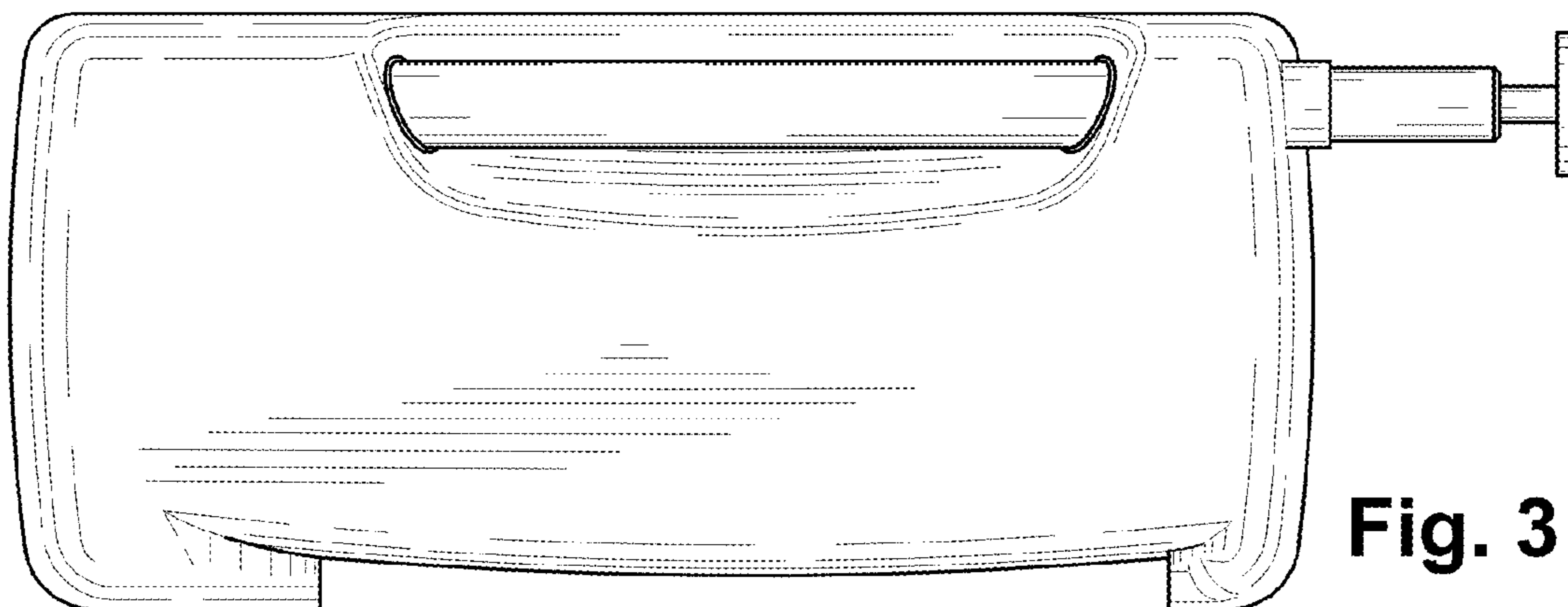
**Fig. 1**



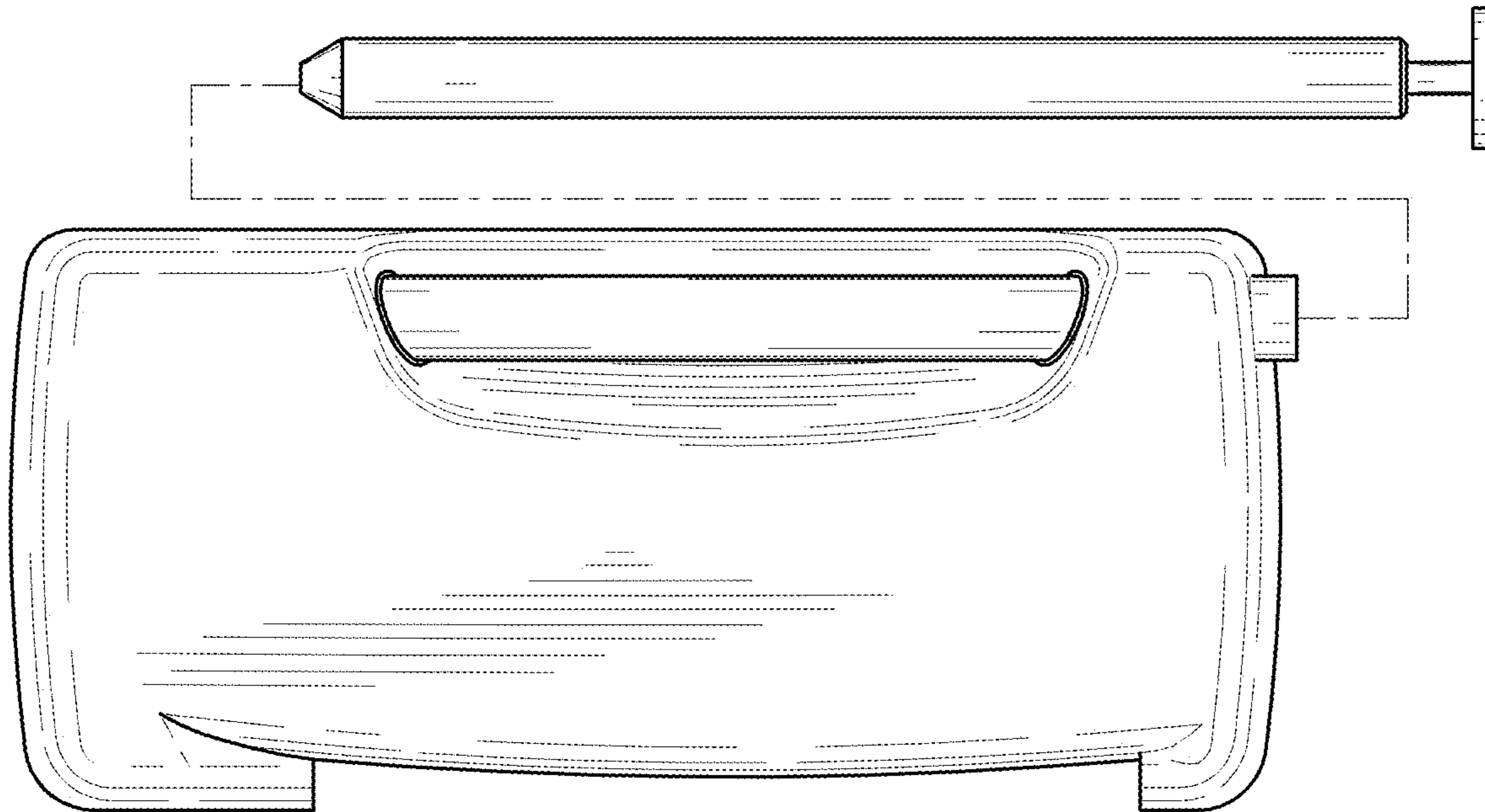
**Fig. 2**



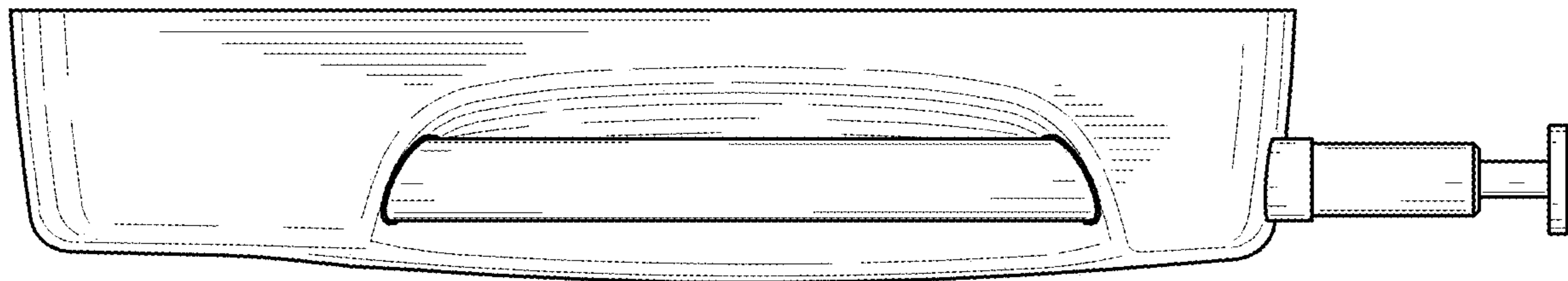
**Fig. 4**



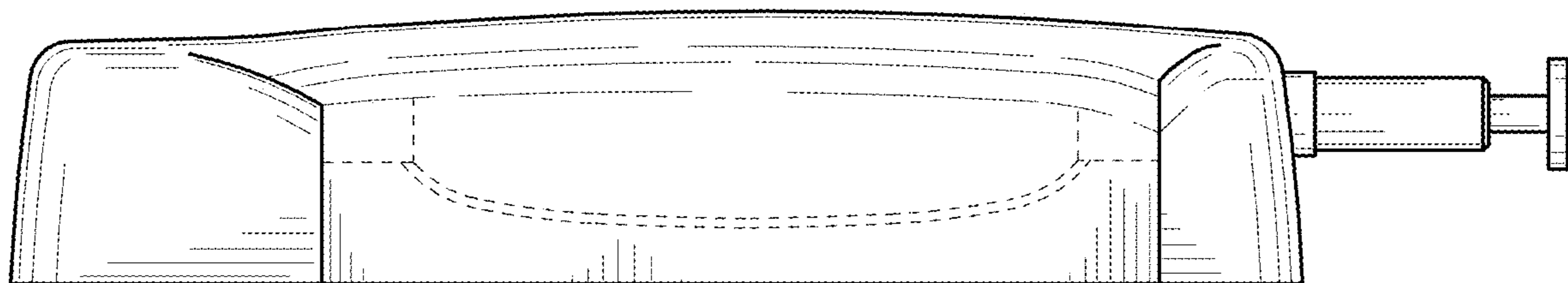
**Fig. 3**



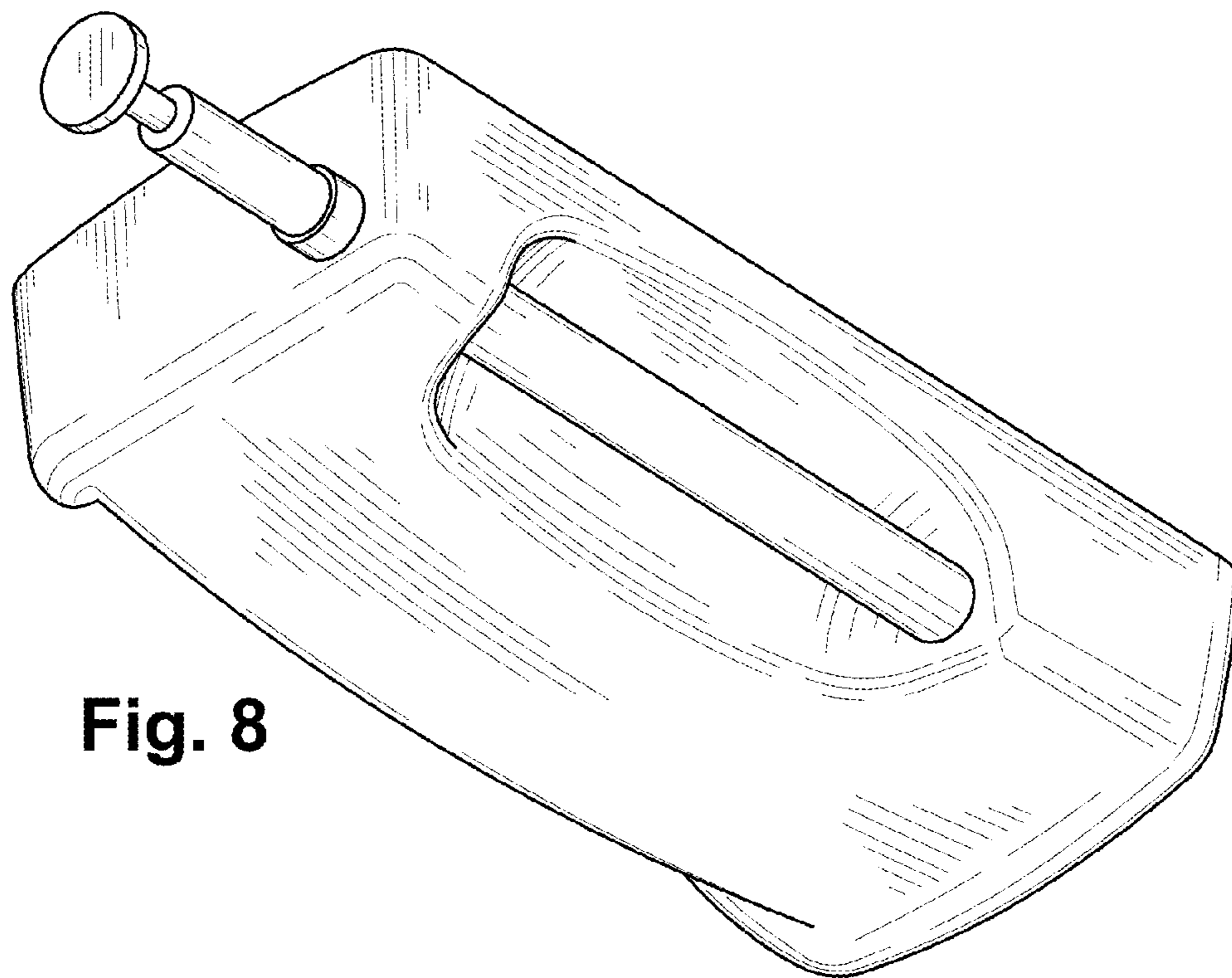
**Fig. 5**



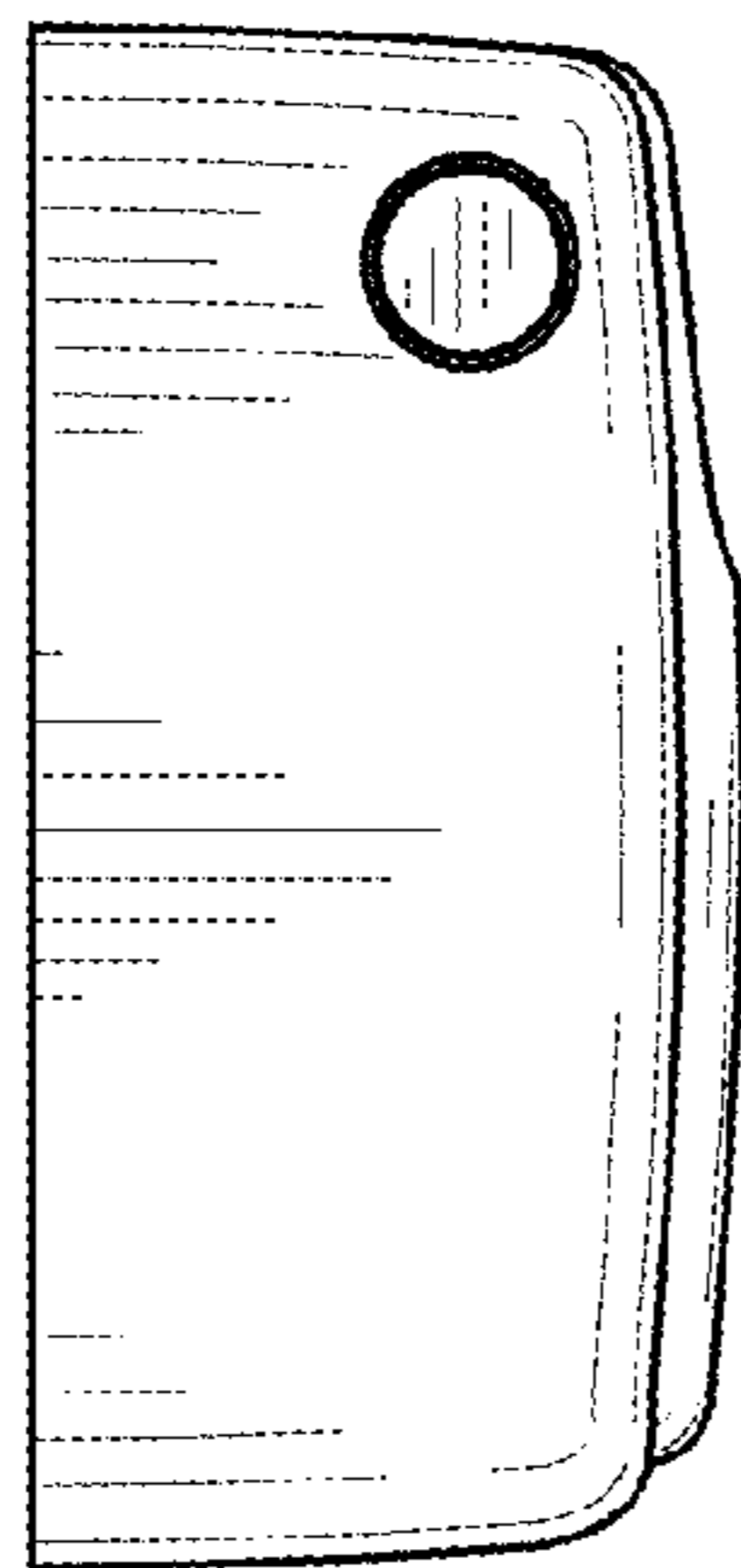
**Fig. 6**



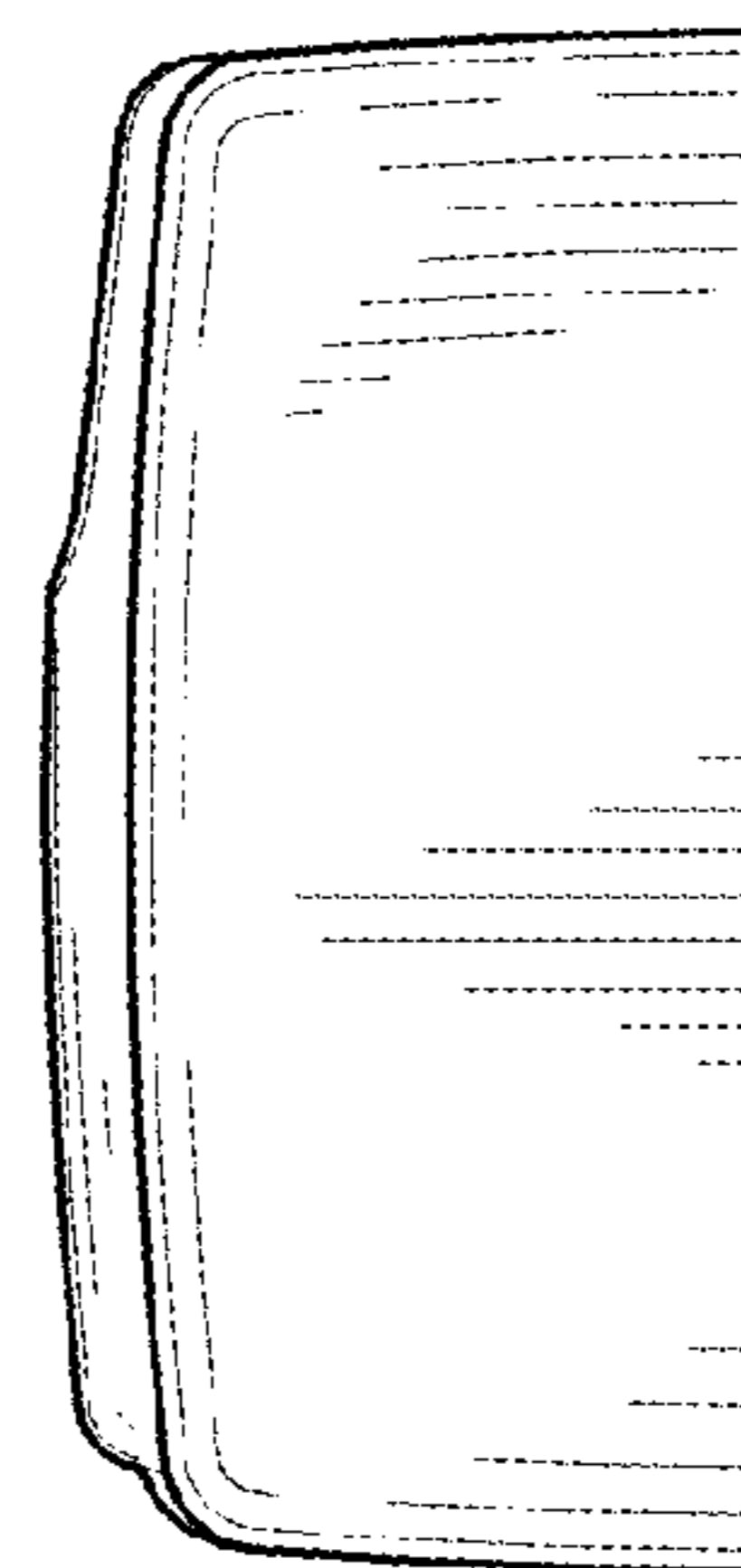
**Fig. 7**



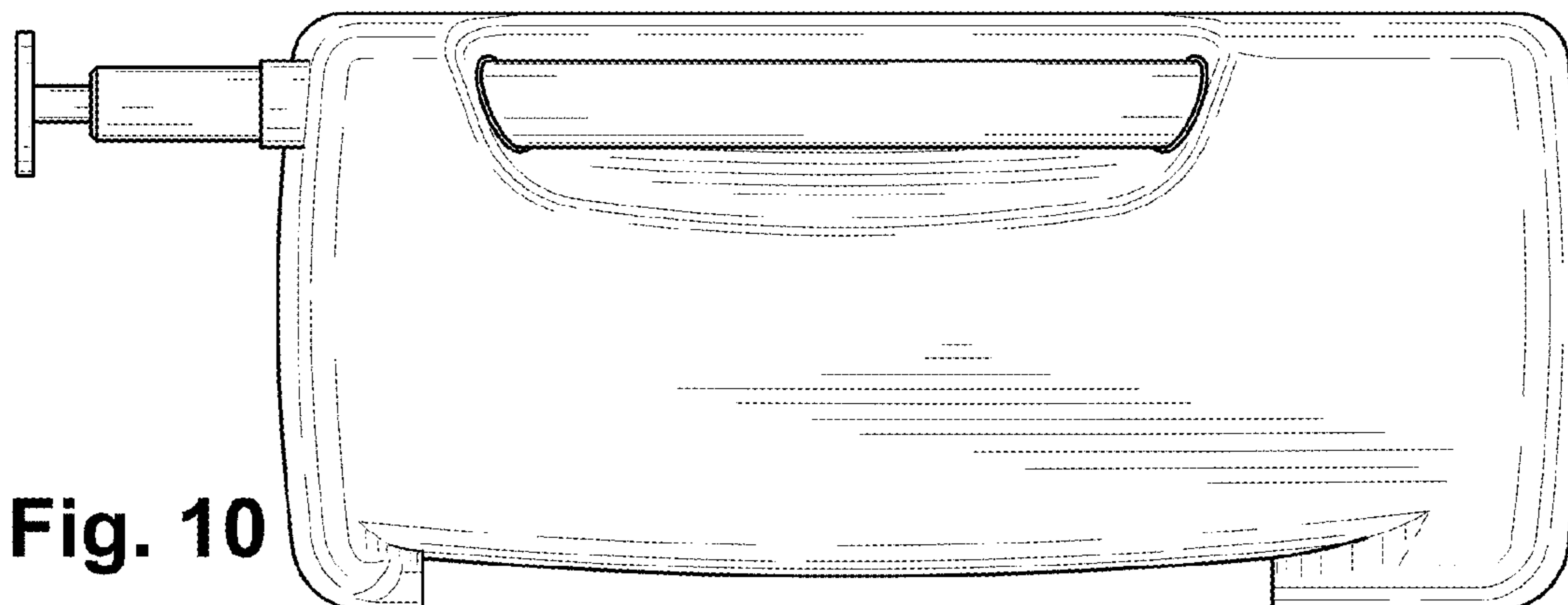
**Fig. 8**



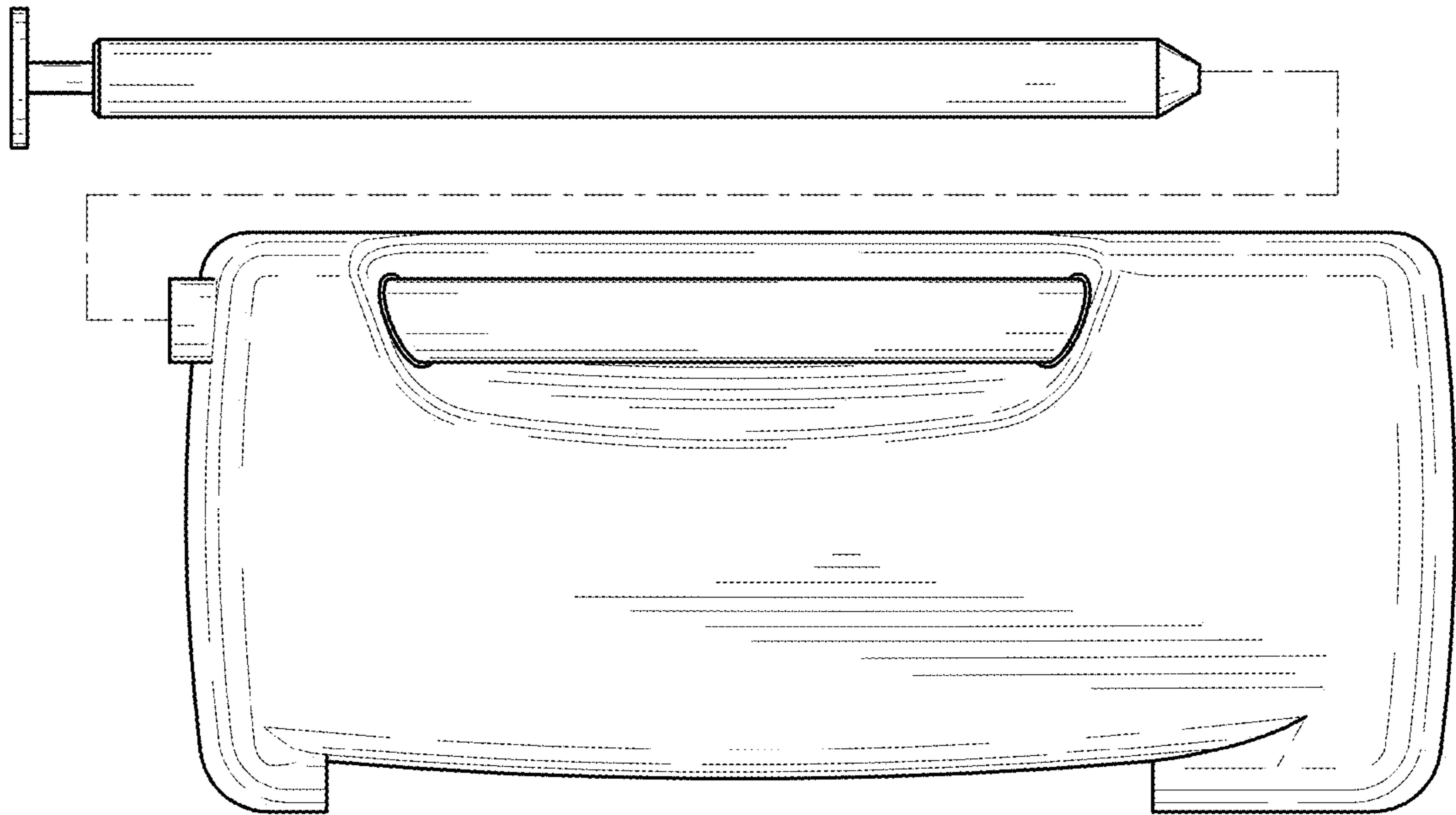
**Fig. 9**



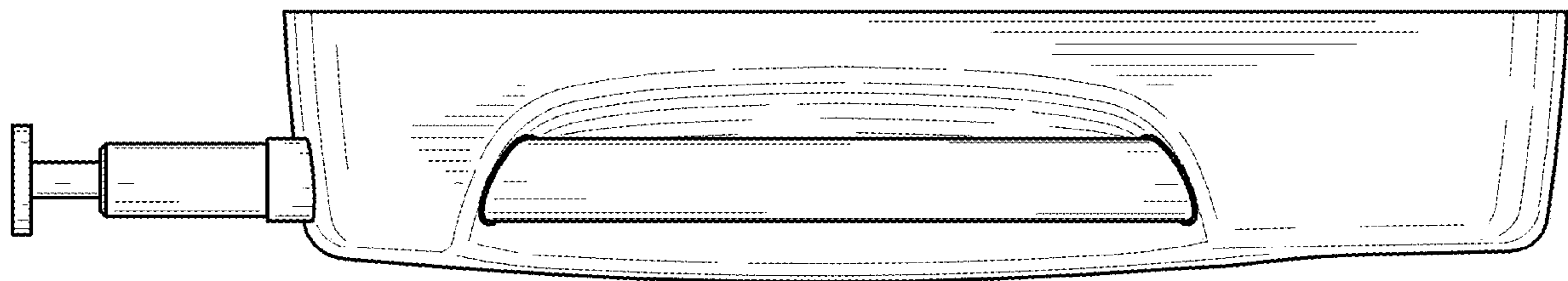
**Fig. 11**



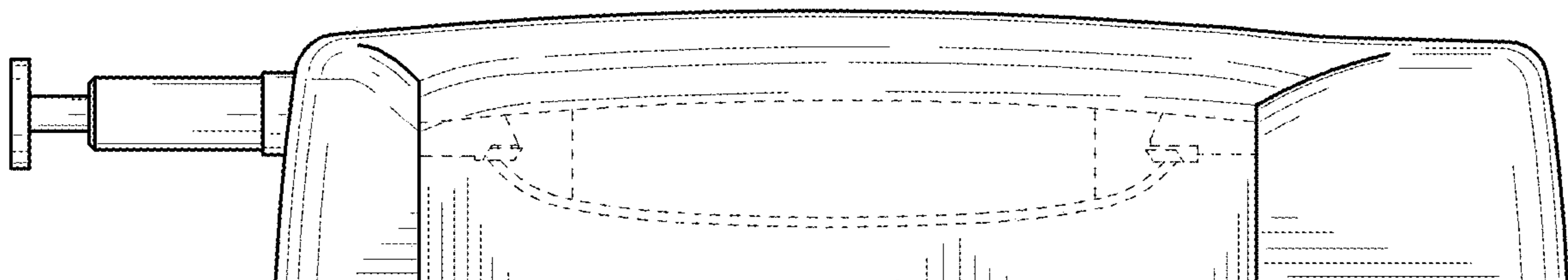
**Fig. 10**



**Fig. 12**



**Fig. 13**



**Fig. 14**