



US00D894517S

(12) **United States Design Patent**  
**Phillips et al.**

(10) **Patent No.:** **US D894,517 S**

(45) **Date of Patent:** **\*\* Aug. 25, 2020**

(54) **SERVICE CART**

(71) Applicant: **SUNCAST TECHNOLOGIES, LLC**,  
Palm Beach Gardens, FL (US)

(72) Inventors: **William J. Phillips**, Batavia, IL (US);  
**Samuel G. Logan**, West Chicago, IL  
(US); **Stephen Whitehead**, Elgin, IL  
(US)

(73) Assignee: **Suncast Technologies, LLC**, Palm  
Beach Gardens, FL (US)

(\*\*) Term: **15 Years**

(21) Appl. No.: **29/686,148**

(22) Filed: **Apr. 2, 2019**

(51) **LOC (12) Cl.** ..... **12-02**

(52) **U.S. Cl.**

USPC ..... **D34/21**

(58) **Field of Classification Search**

USPC ..... D34/19, 21, 17, 20, 27, 14, 23, 12;  
280/47.34, 47.35, 651

CPC ..... A47B 31/00; A47B 2031/002; A47B  
2031/03; A47B 2031/008; B62B 2202/67;  
B62B 3/02; B62B 2206/02; B62B 1/12

See application file for complete search history.

(56) **References Cited**

**U.S. PATENT DOCUMENTS**

6,497,423 B1 \* 12/2002 Perelli ..... B62B 3/10  
280/47.34

D474,570 S \* 5/2003 Presnell ..... D34/17

D485,037 S \* 1/2004 Presnell ..... D34/17  
D572,424 S \* 7/2008 Presnell ..... D34/14  
D575,922 S \* 8/2008 Presnell ..... D34/17  
D594,170 S \* 6/2009 Catron ..... D34/14  
D697,284 S \* 1/2014 Ho ..... D34/12  
D817,585 S \* 5/2018 Thuma ..... D34/21  
D831,293 S \* 10/2018 Thuma ..... D34/21  
10,093,335 B2 \* 10/2018 Thuma ..... B62B 5/0006

\* cited by examiner

*Primary Examiner* — Gino Colan

(74) *Attorney, Agent, or Firm* — McHale & Slavin, P.A.

(57) **CLAIM**

The ornamental design for a service cart, as shown and described.

**DESCRIPTION**

FIG. 1 is a top front right perspective view of the service cart showing our new design;

FIG. 2 is a top rear right perspective view thereof;

FIG. 3 is a right side view thereof;

FIG. 4 is a left side view thereof;

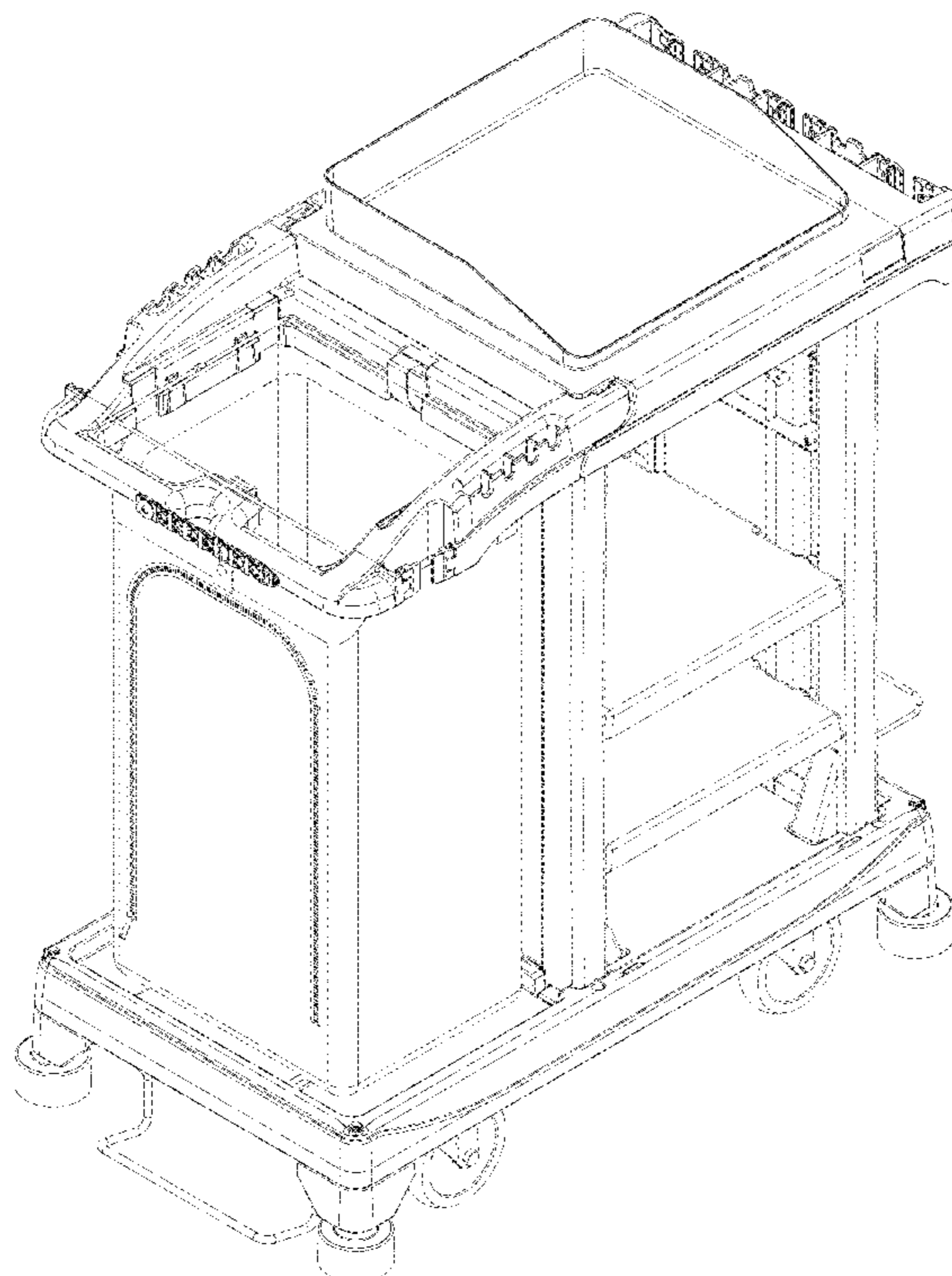
FIG. 5 is a front view thereof;

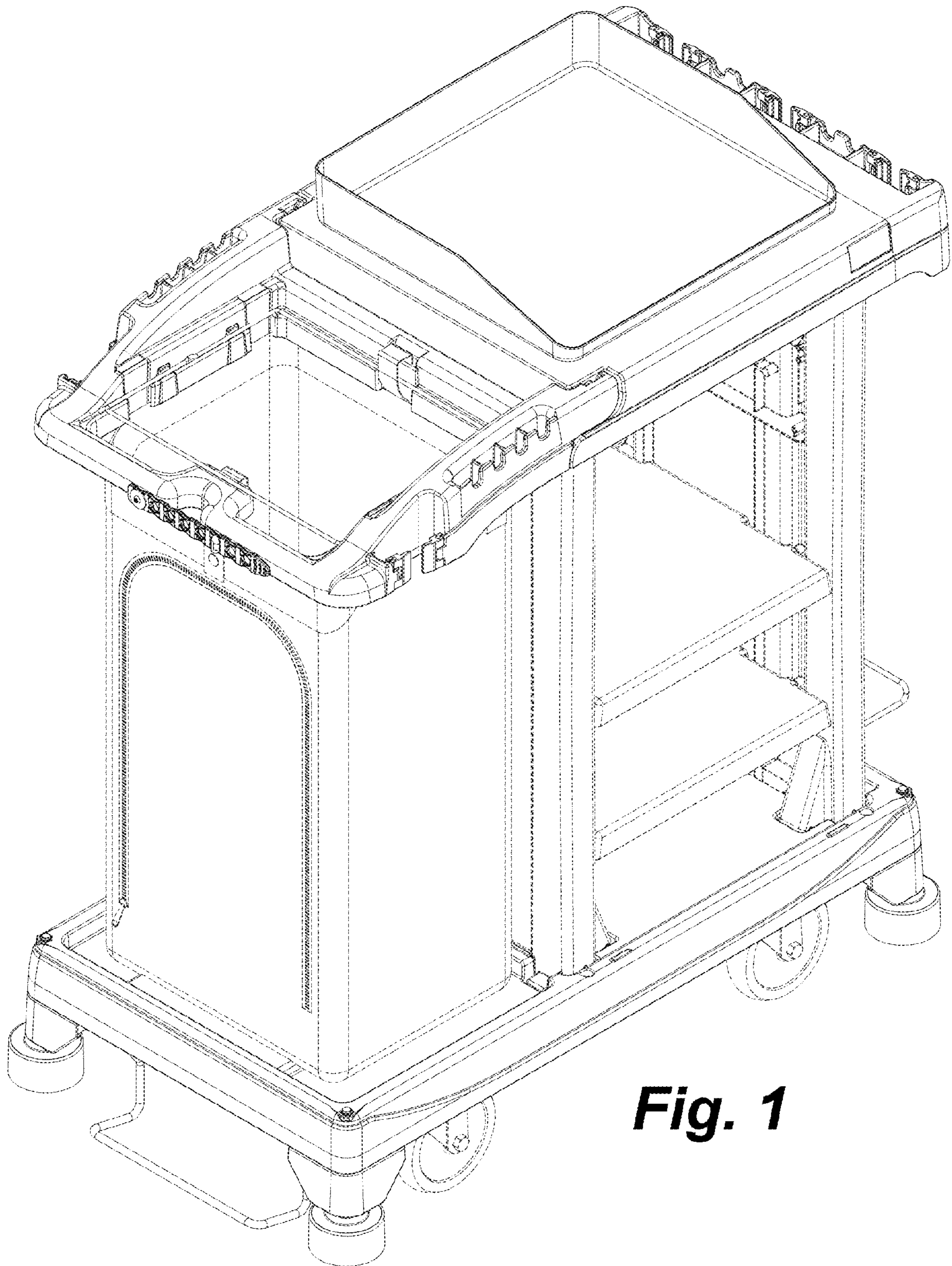
FIG. 6 is a rear view thereof; and,

FIG. 7 is a top view thereof.

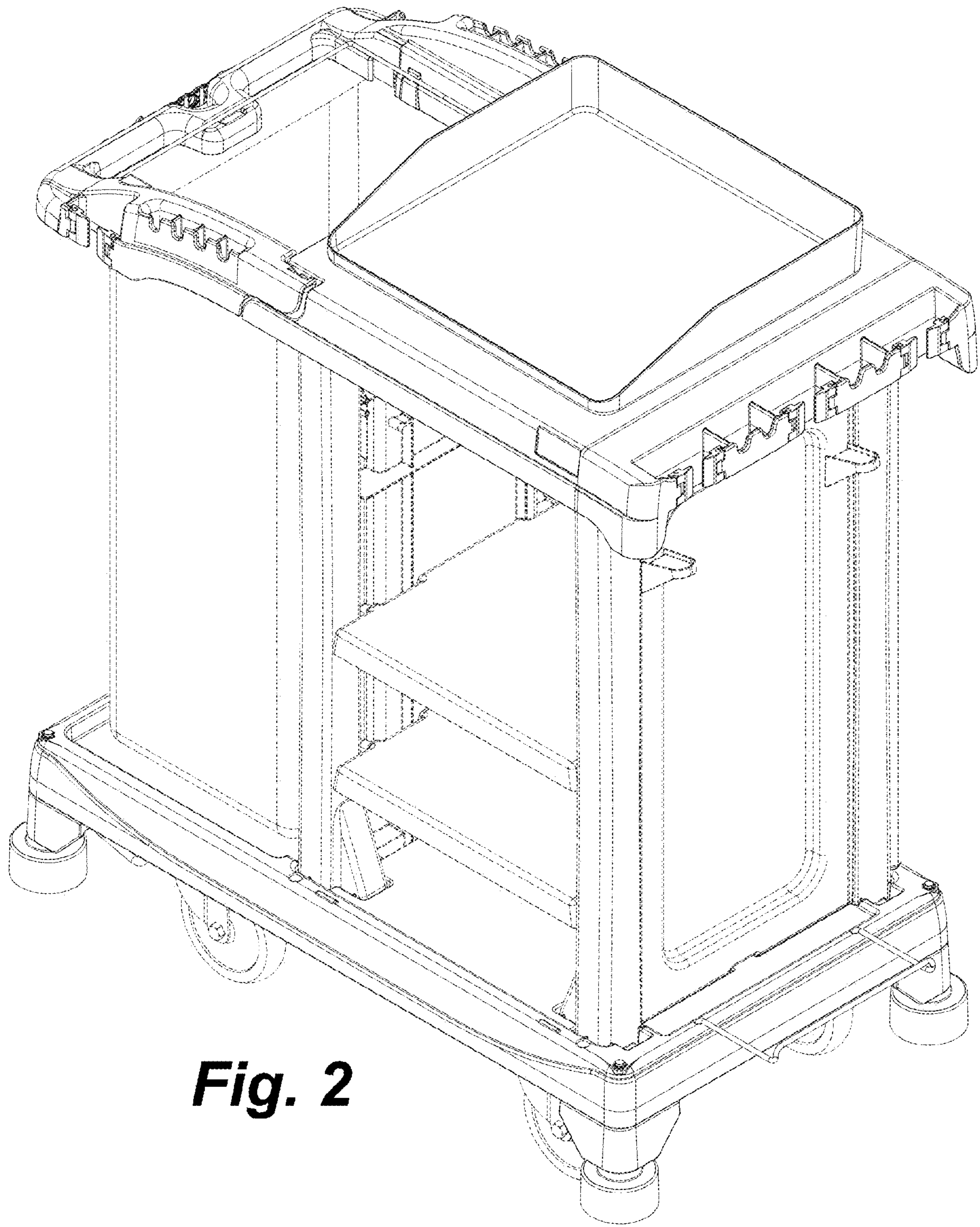
The portions of the service cart illustrated in broken lines forms no part of the claim for service cart design.

**1 Claim, 7 Drawing Sheets**

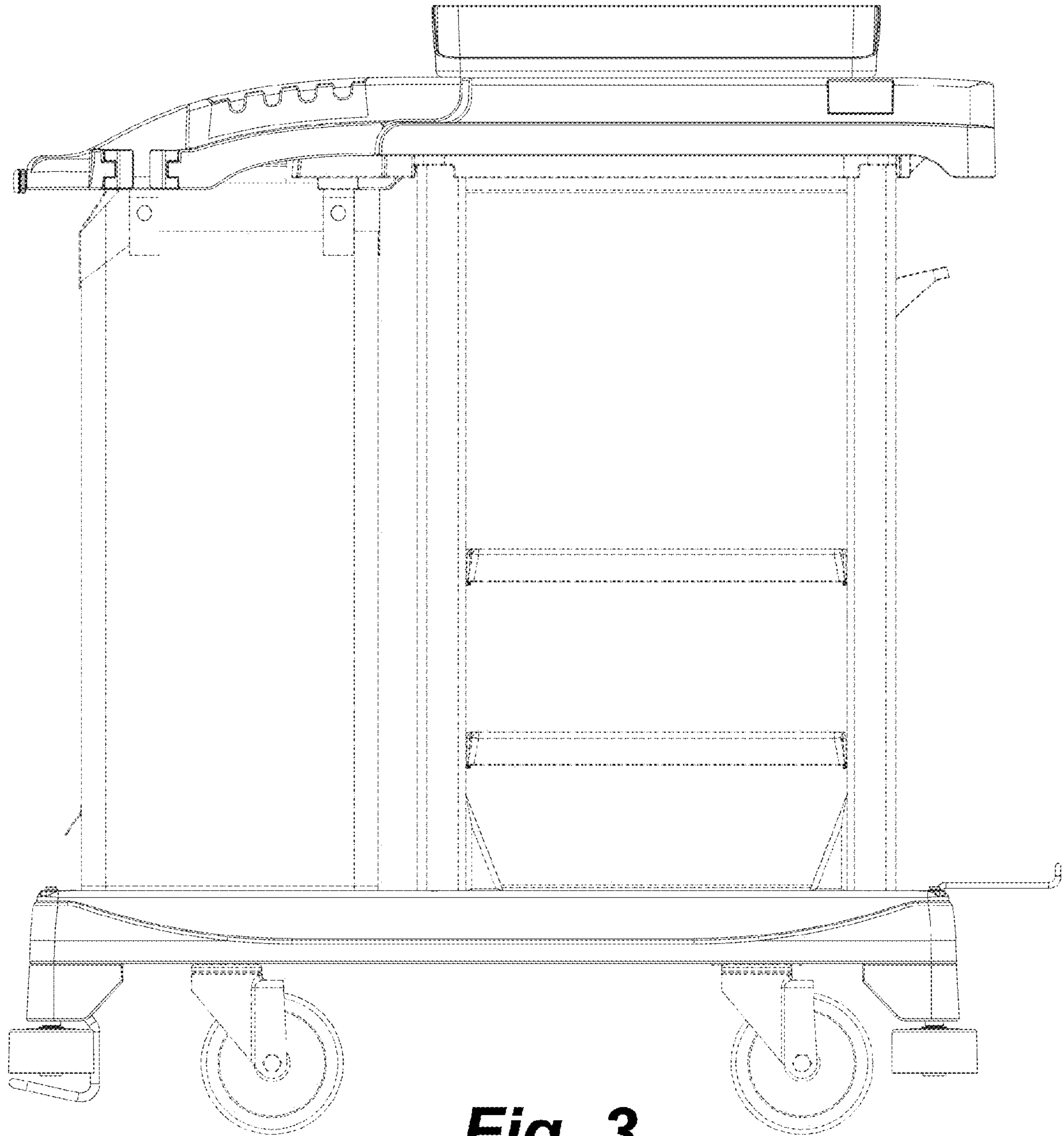




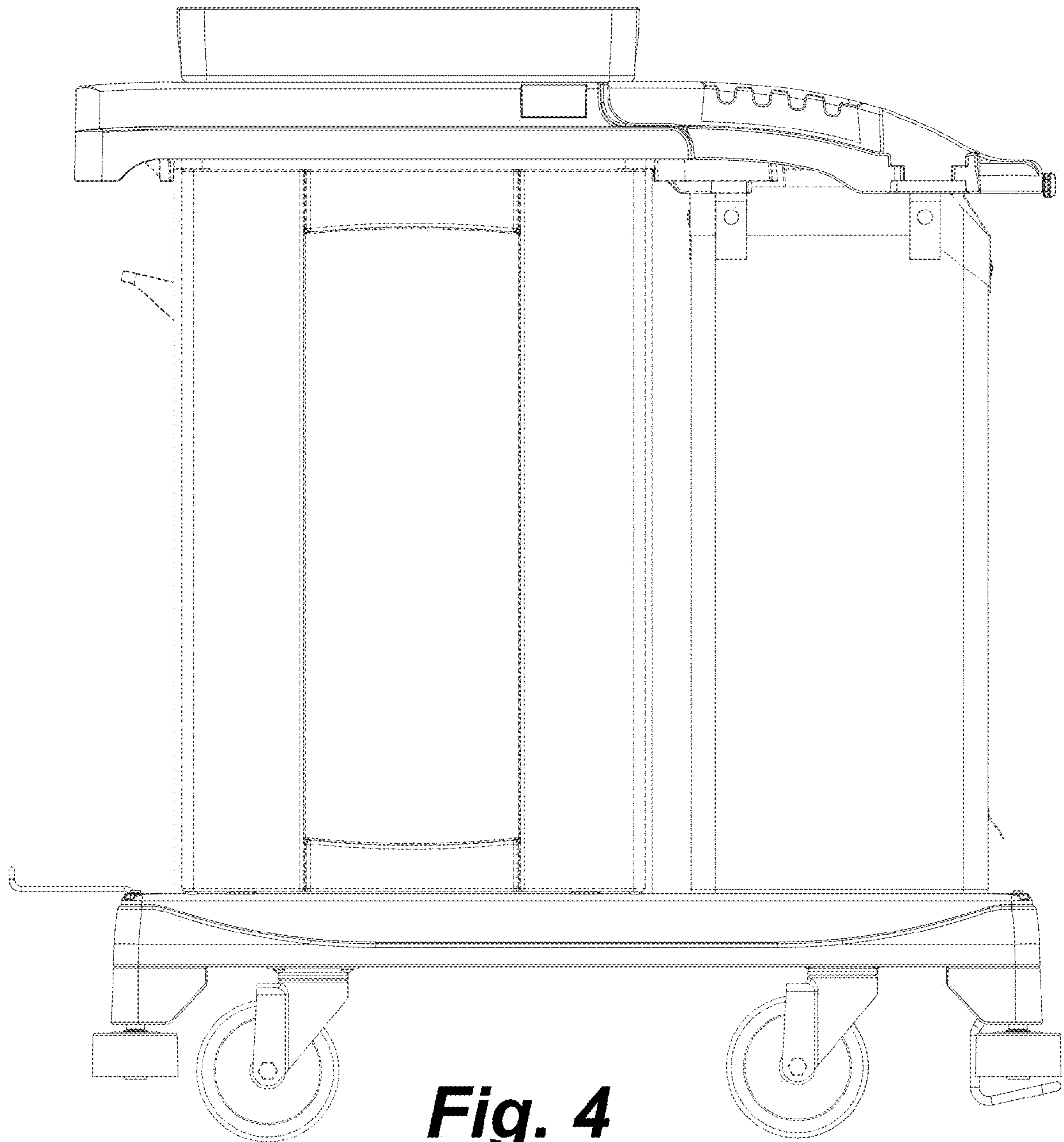
**Fig. 1**



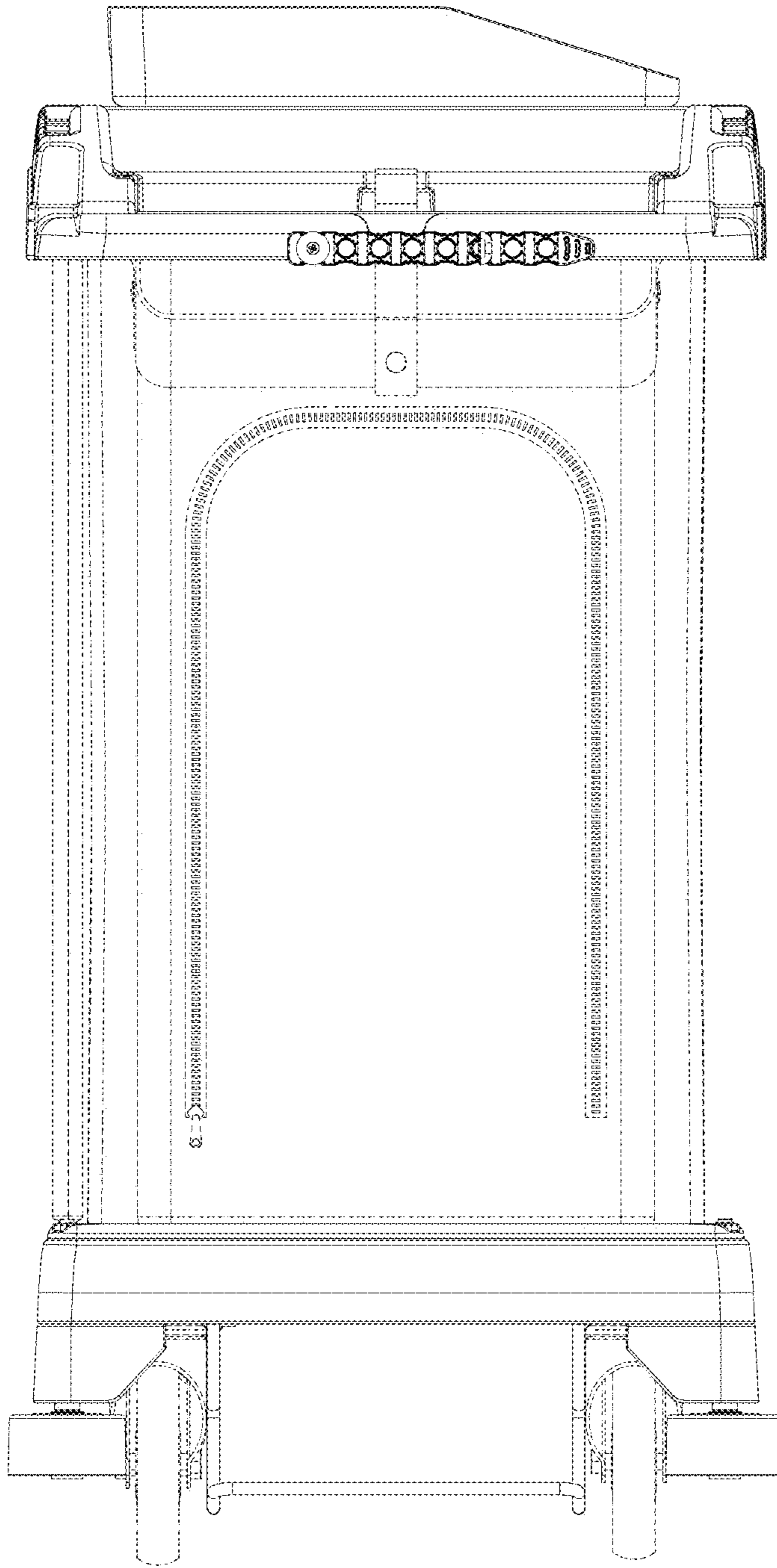
**Fig. 2**



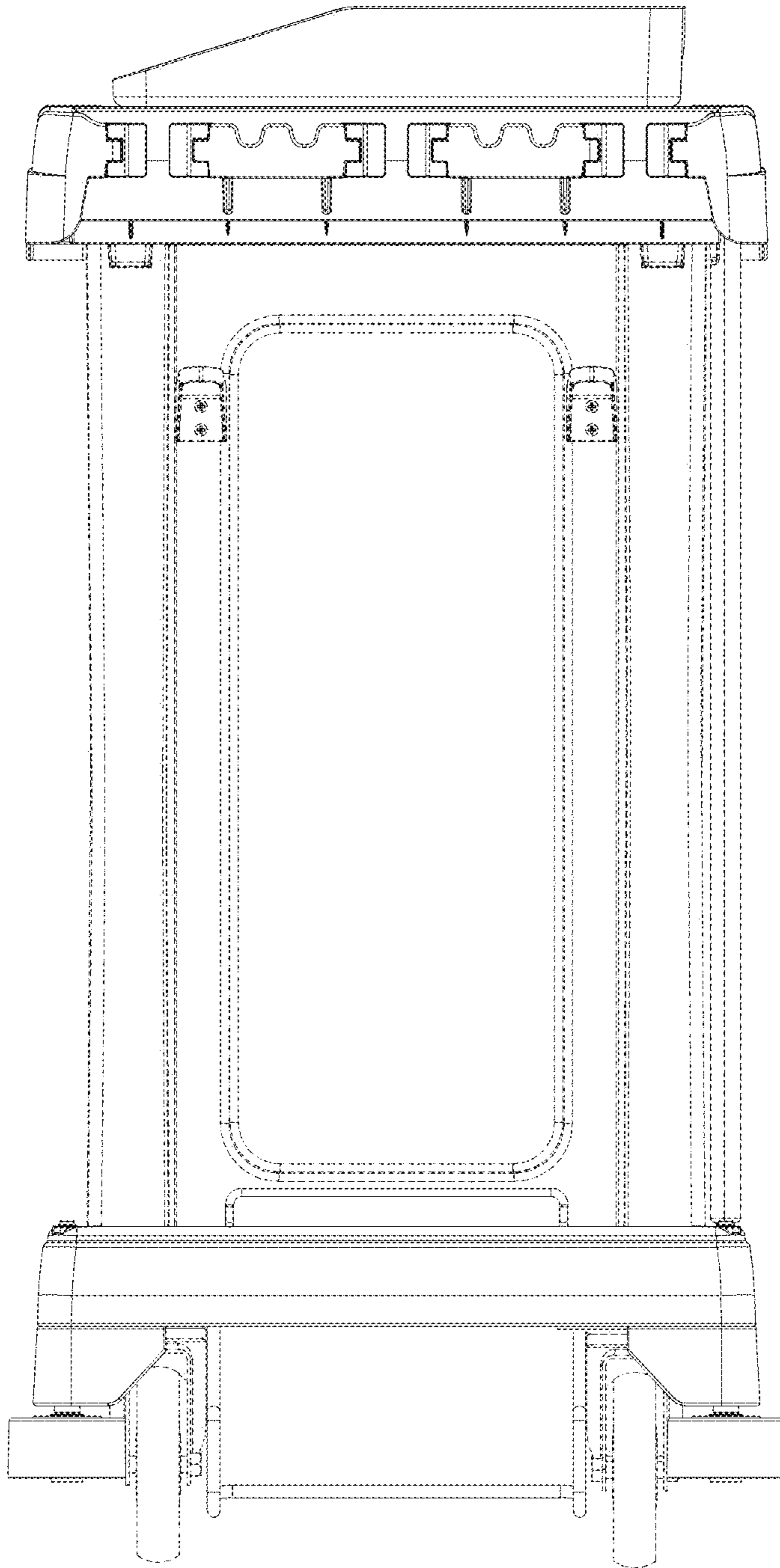
**Fig. 3**



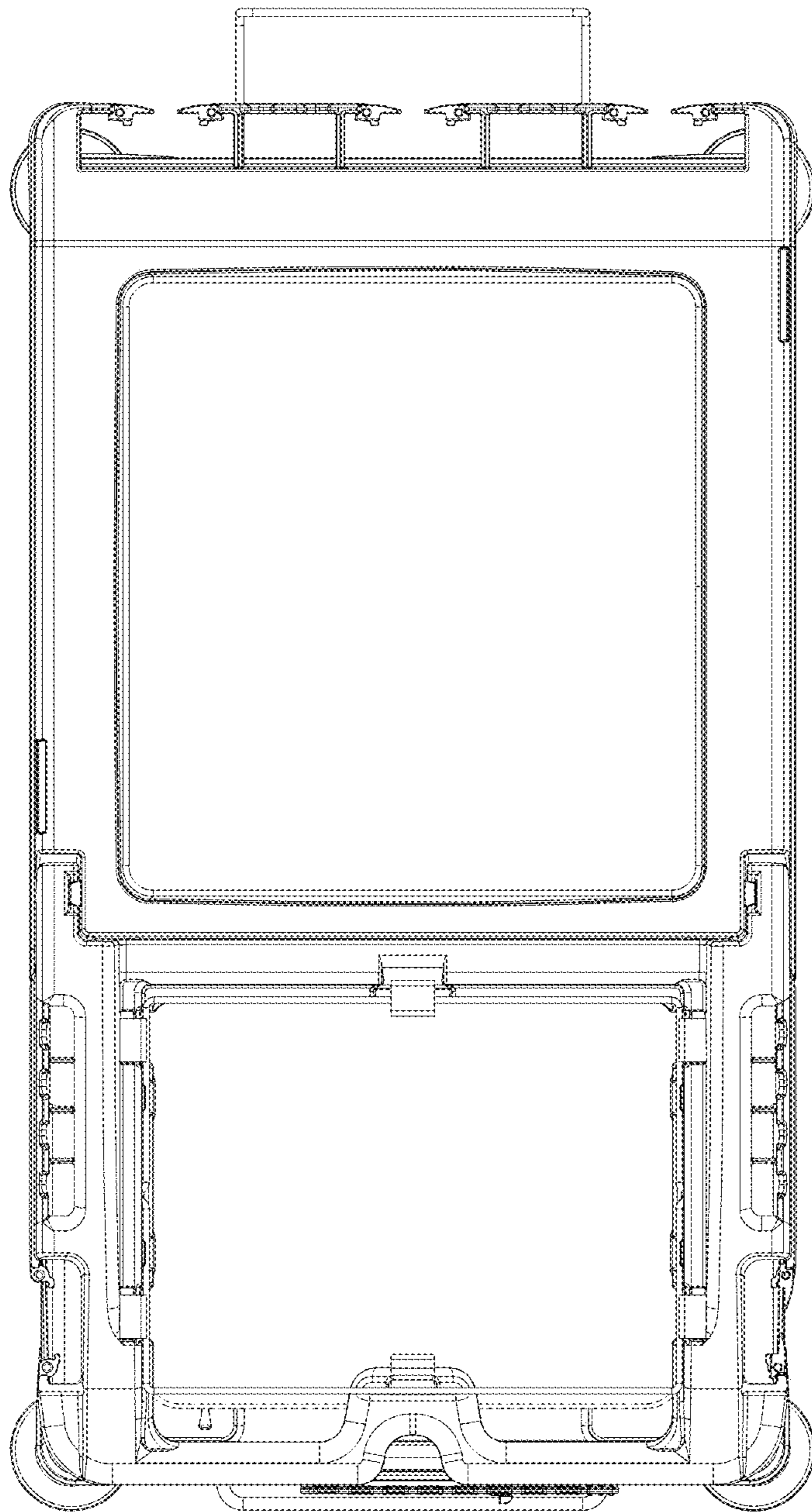
**Fig. 4**



**Fig. 5**



**Fig. 6**



**Fig. 7**