



US00D894515S

(12) **United States Design Patent**
Phillips et al.

(10) **Patent No.:** **US D894,515 S**

(45) **Date of Patent:** **** Aug. 25, 2020**

(54) **SERVICE CART**

(71) Applicant: **SUNCAST TECHNOLOGIES, LLC**,
Palm Beach Gardens, FL (US)

(72) Inventors: **William J. Phillips**, Batavia, IL (US);
Samuel G. Logan, West Chicago, IL
(US); **Stephen Whitehead**, Elgin, IL
(US)

(73) Assignee: **Suncast Technologies, LLC**, Palm
Beach Gardens, FL (US)

(**) Term: **15 Years**

(21) Appl. No.: **29/686,140**

(22) Filed: **Apr. 2, 2019**

(51) **LOC (12) Cl.** **12-02**

(52) **U.S. Cl.**

USPC **D34/21**

(58) **Field of Classification Search**

USPC D34/19, 21, 17, 20, 27, 14, 23, 12;
280/47.34, 47.35, 651

CPC A47B 31/00; A47B 2031/002; A47B
2031/03; A47B 2031/008; B62B 2202/67;
B62B 3/02; B62B 2206/02; B62B 1/12

See application file for complete search history.

(56) **References Cited**

U.S. PATENT DOCUMENTS

6,497,423 B1 * 12/2002 Perelli B62B 3/10
280/47.34
D474,570 S * 5/2003 Presnell D34/17

D485,037 S * 1/2004 Presnell D34/17
D572,424 S * 7/2008 Presnell D34/14
D575,922 S * 8/2008 Presnell D34/17
D594,170 S * 6/2009 Catron D34/14
D697,284 S * 1/2014 Ho D34/12
D817,585 S * 5/2018 Thuma D34/21
D831,293 S * 10/2018 Thuma D34/21
10,093,335 B2 * 10/2018 Thuma B62B 5/0006

* cited by examiner

Primary Examiner — Gino Colan

(74) *Attorney, Agent, or Firm* — McHale & Slavin, P.A.

(57) **CLAIM**

The ornamental design for a service cart, as shown and described.

DESCRIPTION

FIG. 1 is a top front left perspective view of the service cart of the present invention;

FIG. 2 is a top rear left perspective view thereof;

FIG. 3 is a right side view thereof;

FIG. 4 is a left side view thereof;

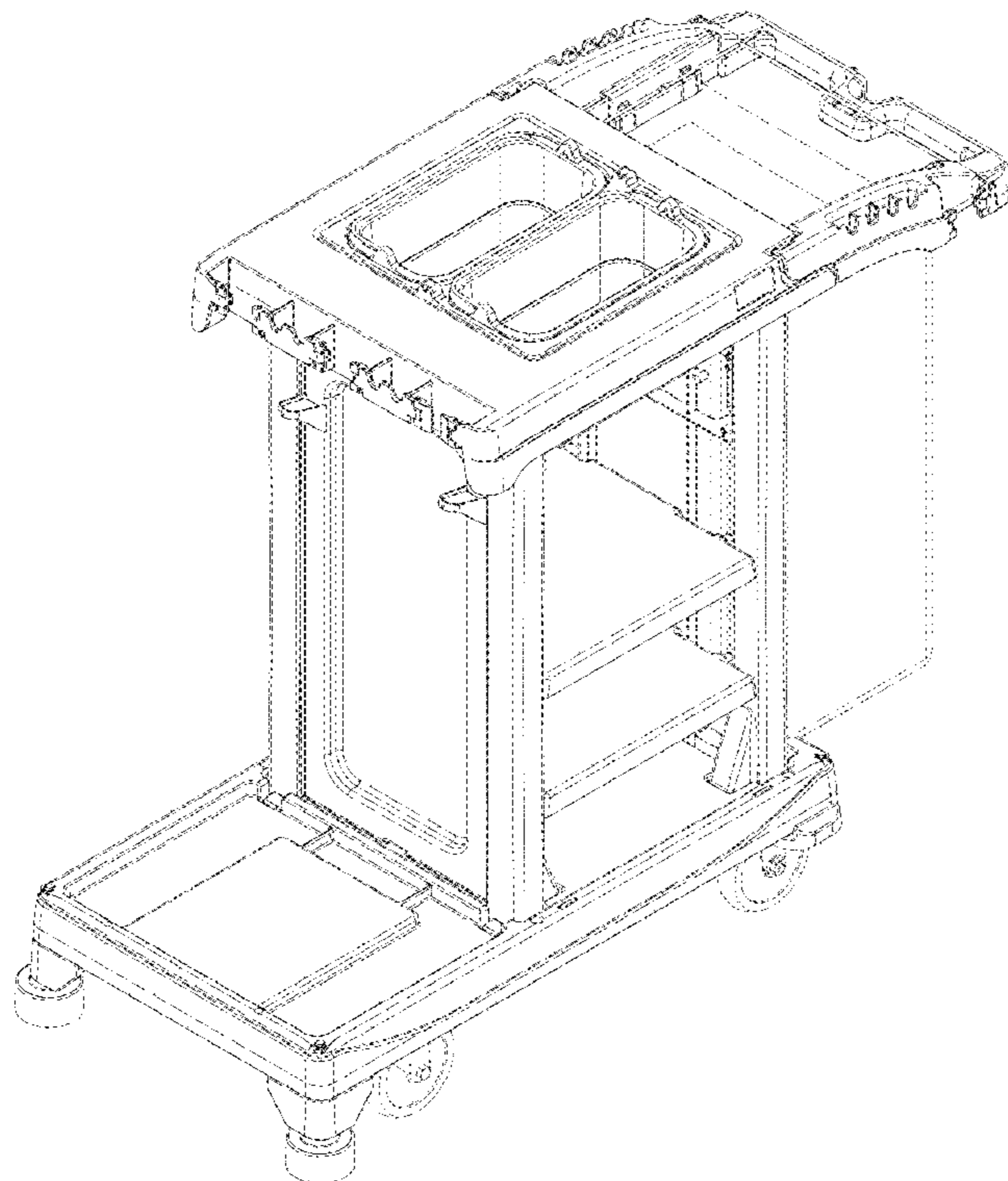
FIG. 5 is a rear view thereof;

FIG. 6 is a front view thereof; and,

FIG. 7 is a top view thereof.

The portions of the service cart illustrated in broken lines forms no part of the claim for service cart design.

1 Claim, 7 Drawing Sheets



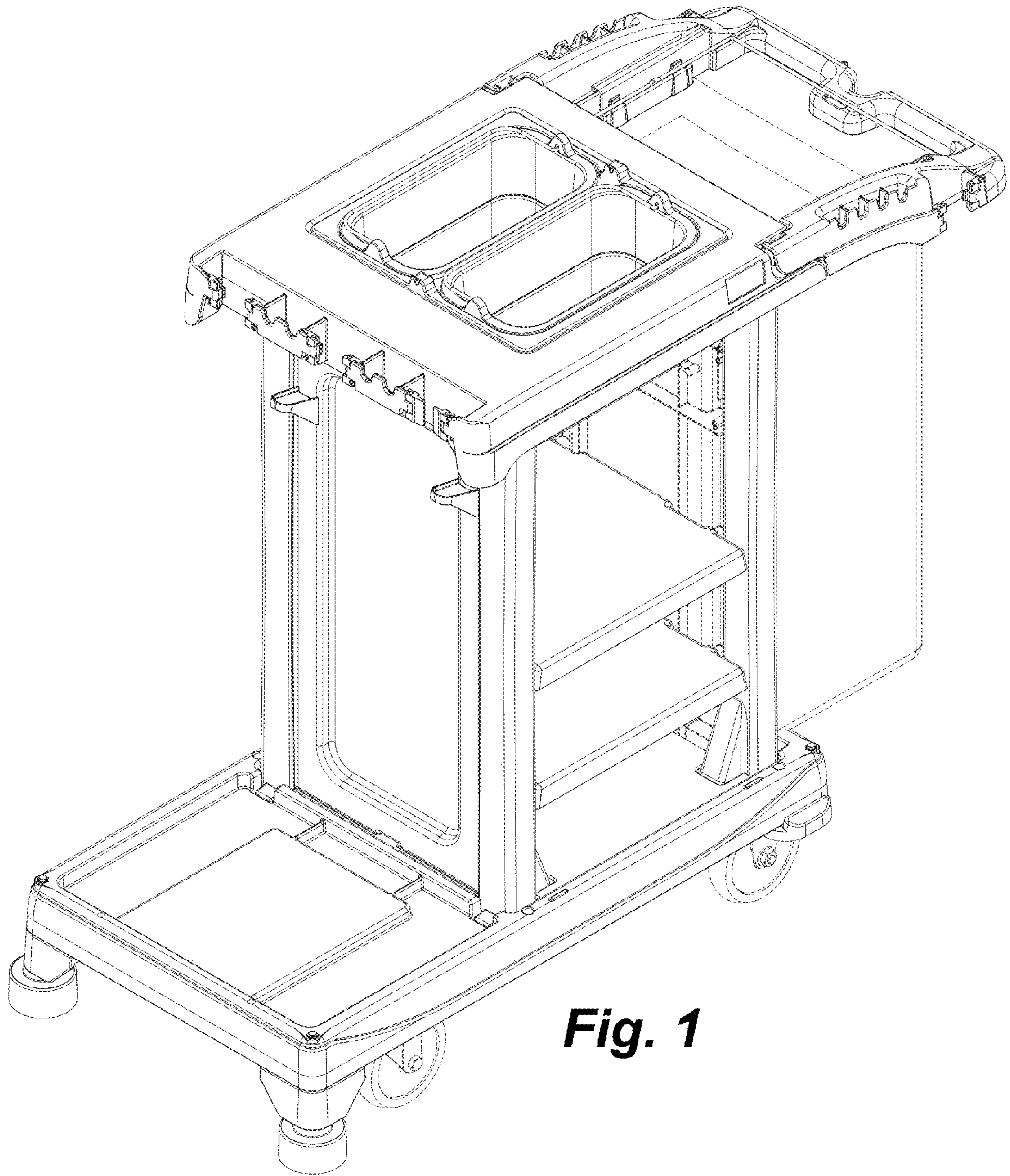


Fig. 1

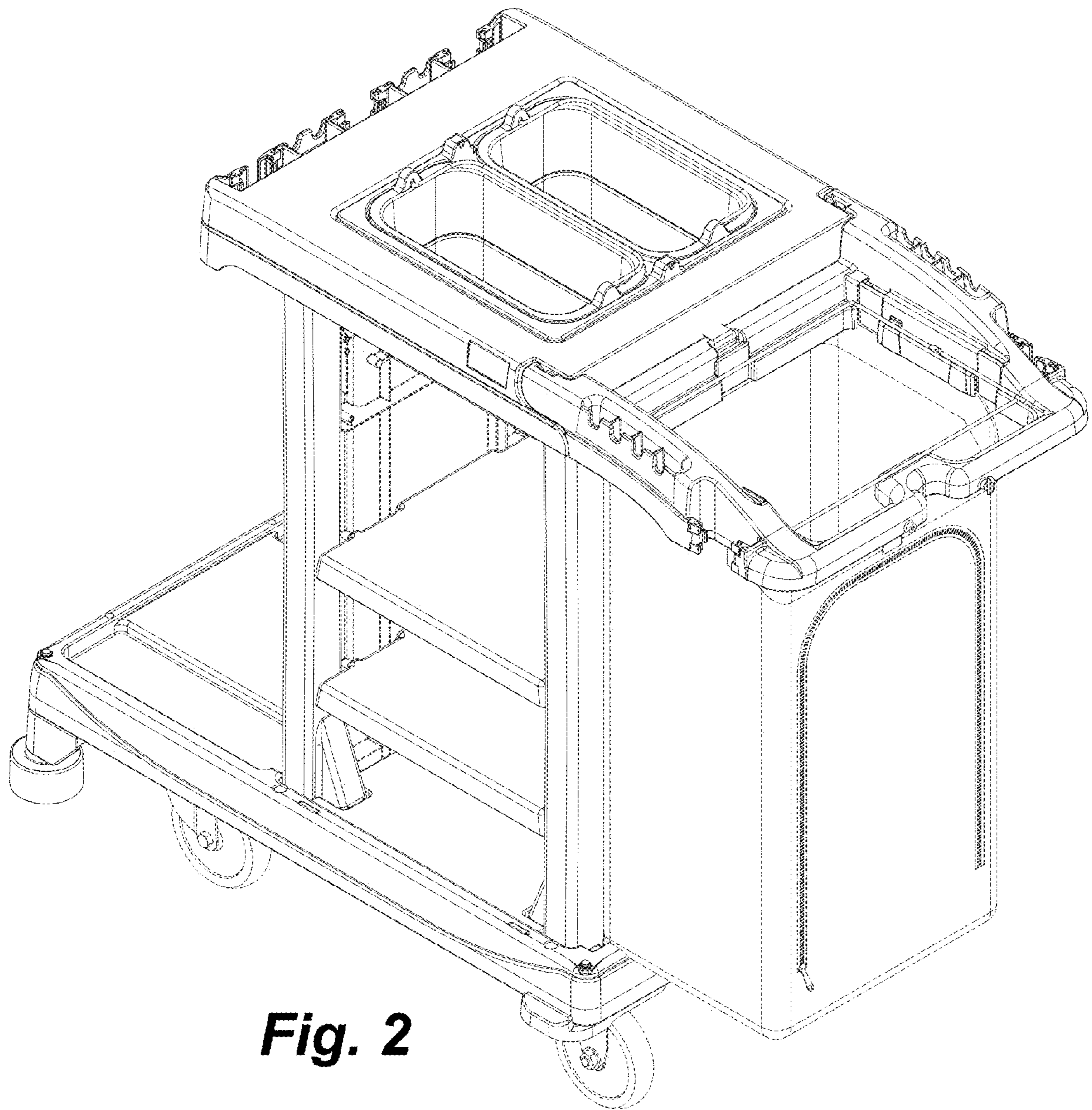


Fig. 2

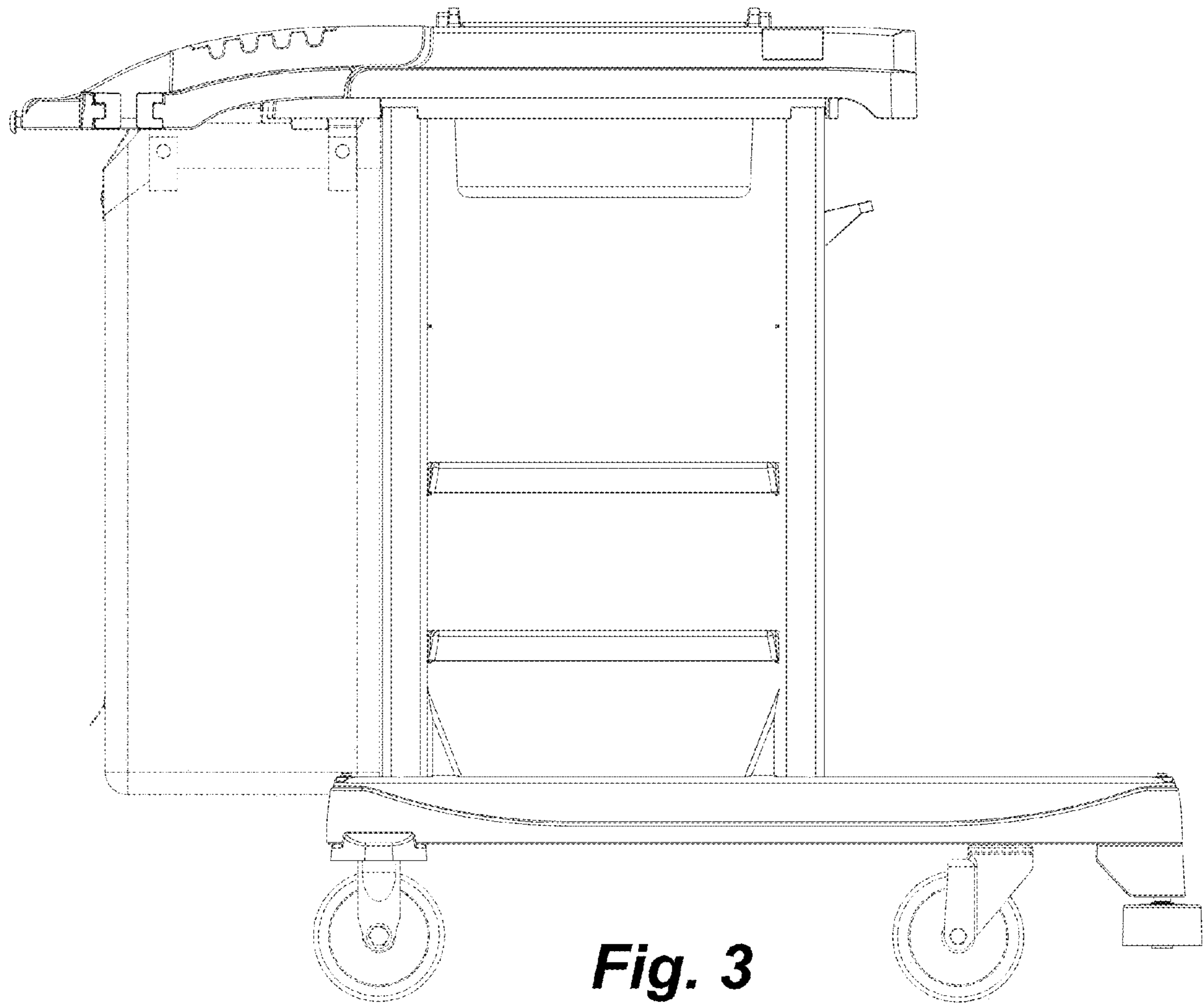


Fig. 3

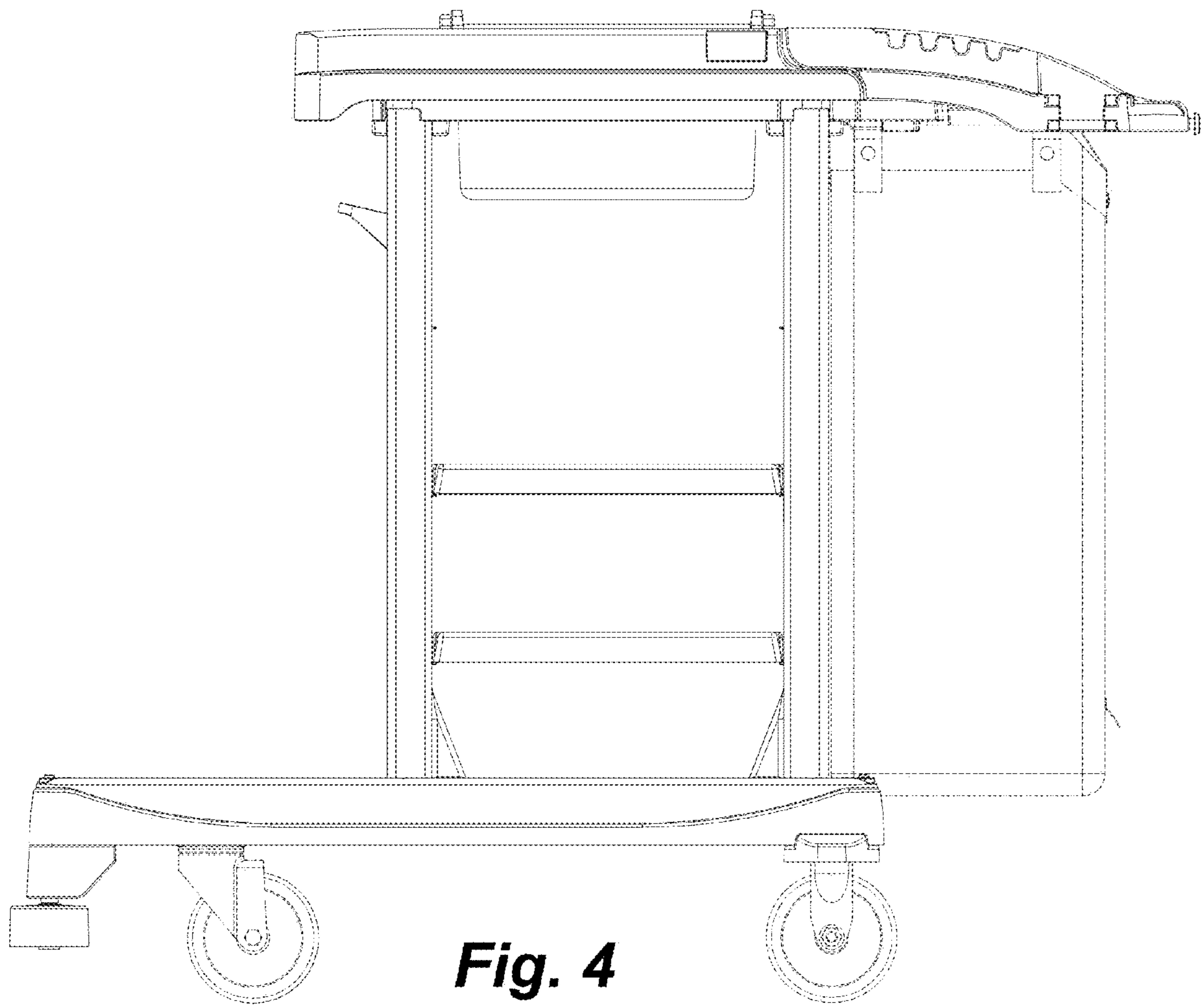


Fig. 4

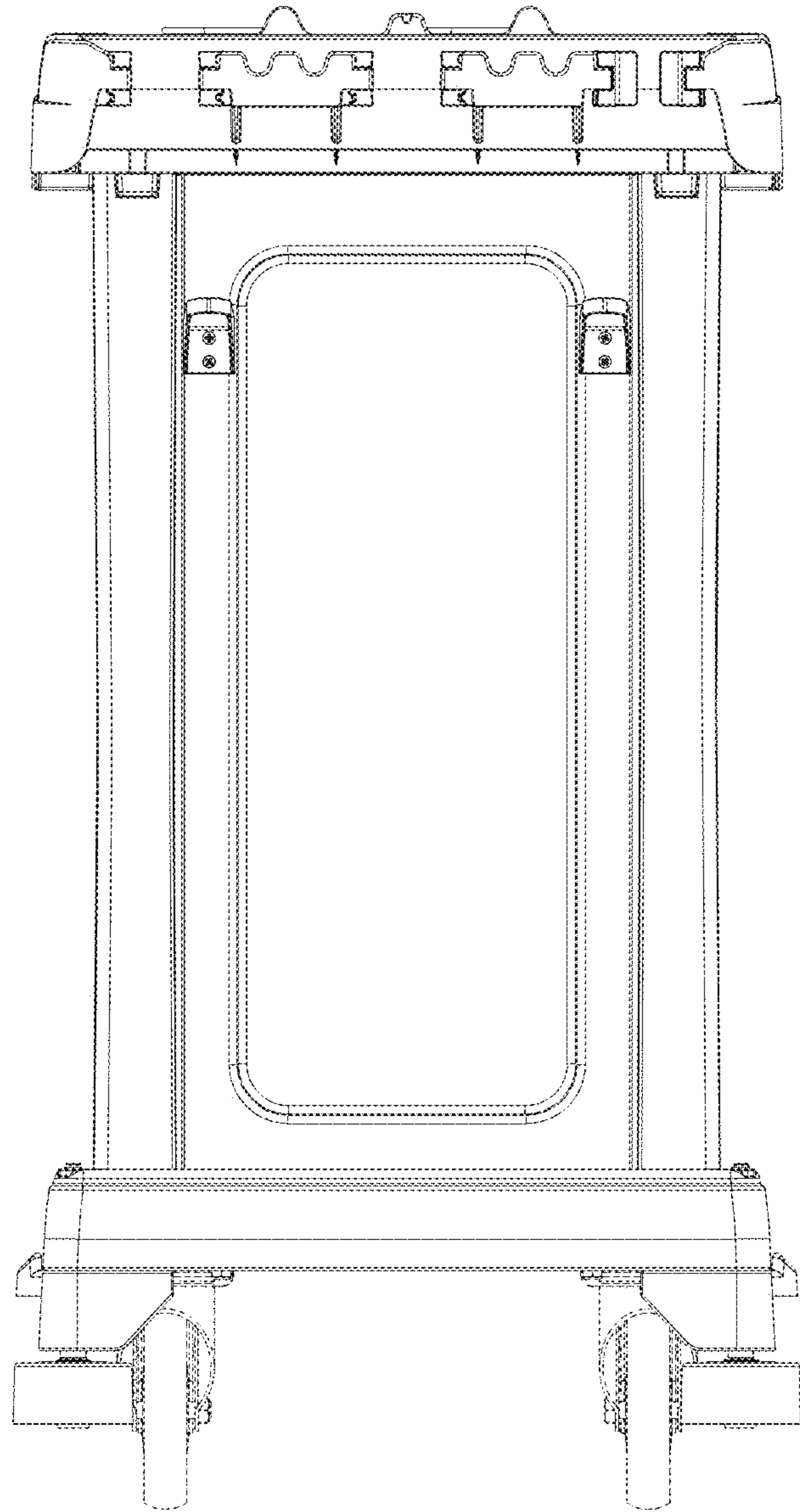


Fig. 5

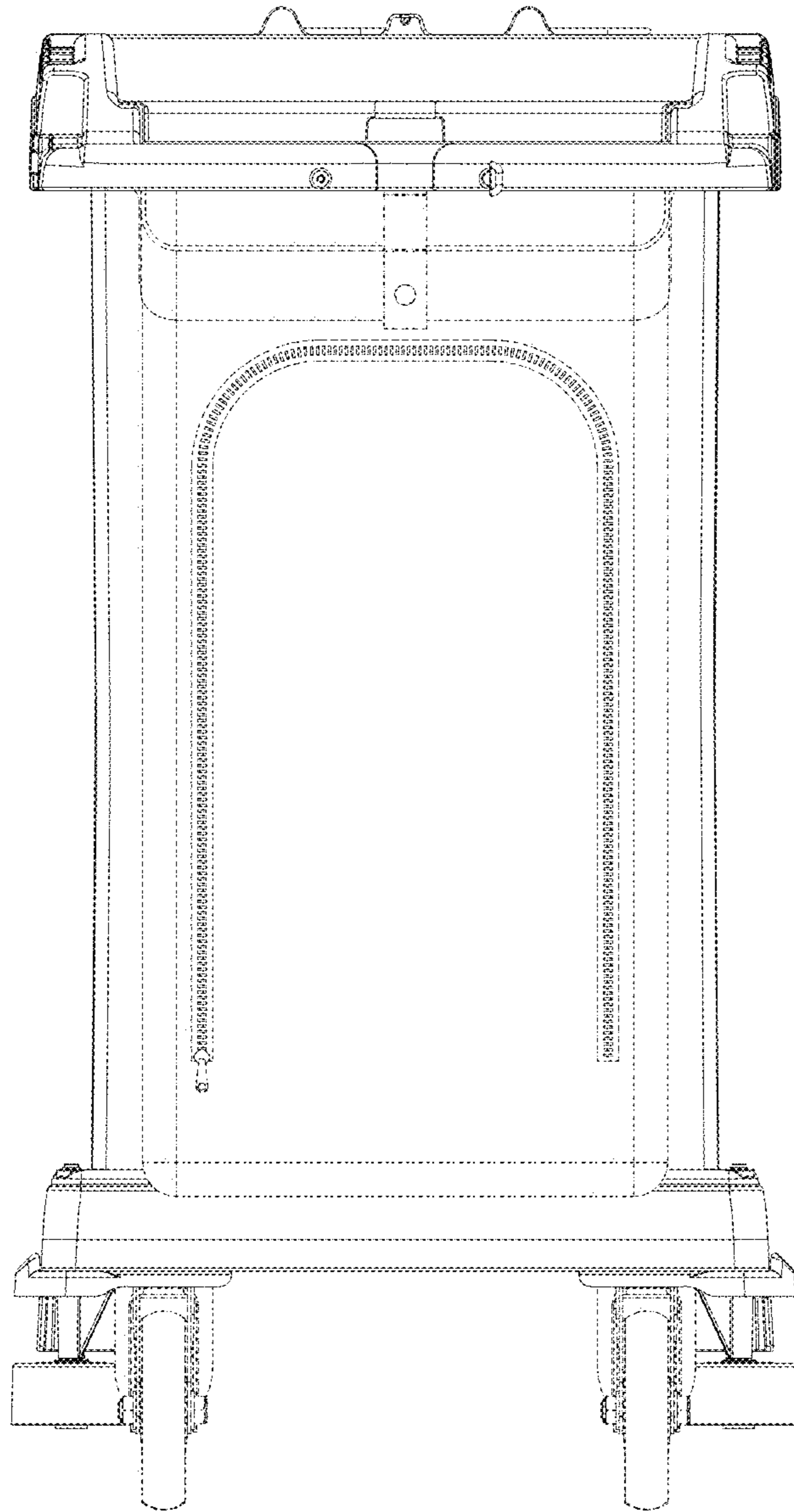


Fig. 6

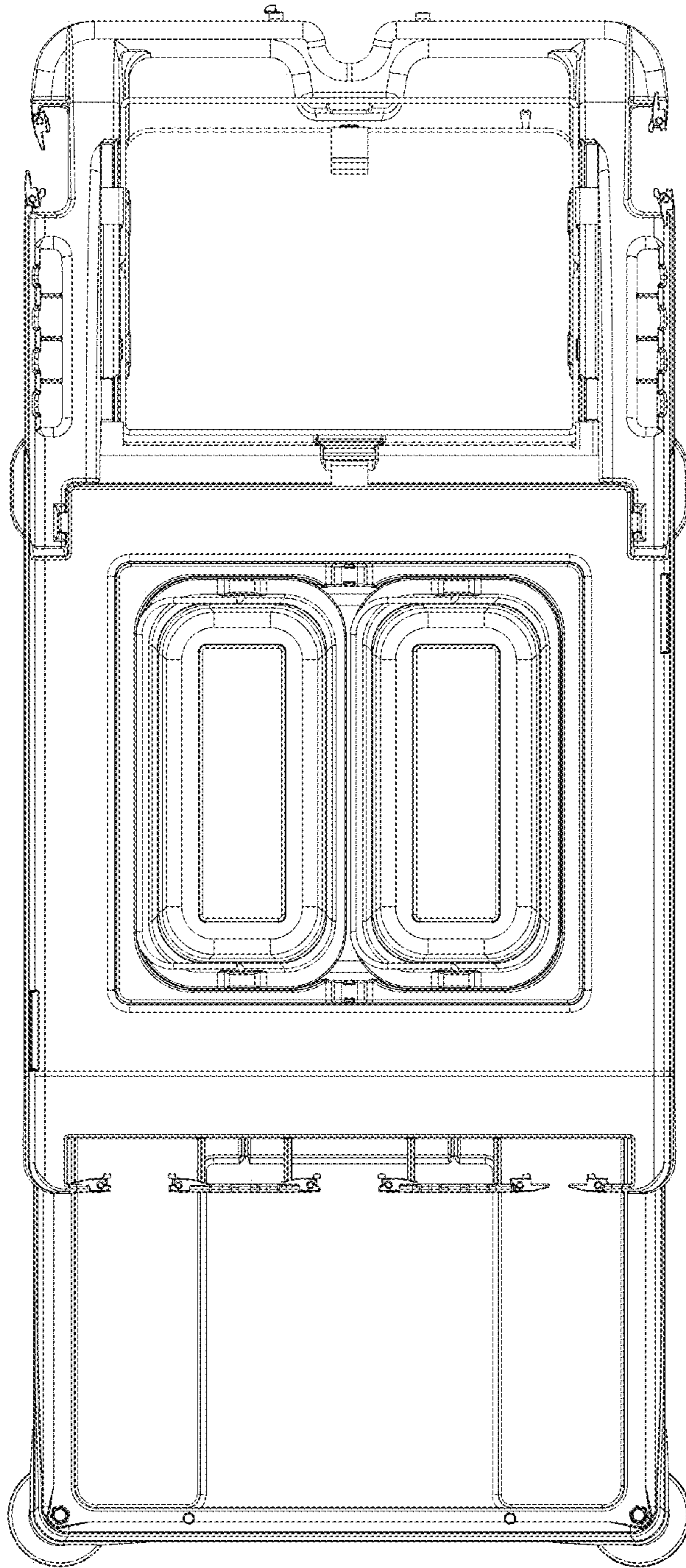


Fig. 7