



US00D894513S

(12) **United States Design Patent**
Sterns et al.

(10) **Patent No.:** **US D894,513 S**

(45) **Date of Patent:** **** Aug. 25, 2020**

(54) **ALL TERRANE CREEPER**

(71) Applicant: **Whiteside Mfg. Co.**, Delaware, OH
(US)

(72) Inventors: **Jason Sterns**, Joplin, MO (US); **Kirt E. Whiteside**, Delaware, OH (US);
Chad E. Mays, Delaware, OH (US)

(**) Term: **15 Years**

(21) Appl. No.: **29/659,519**

(22) Filed: **Aug. 9, 2018**

(51) **LOC (12) Cl.** **12-02**

(52) **U.S. Cl.**
USPC **D34/12; D34/23**

(58) **Field of Classification Search**
USPC D34/12, 14, 16, 24, 23
CPC B62B 1/12; B62B 5/0083; B62B 3/02;
B62B 3/025; B62B 7/02; B25H 5/00;
B62D 63/061

See application file for complete search history.

(56) **References Cited**

U.S. PATENT DOCUMENTS

D356,412 S * 3/1995 Hensley, Jr. D34/23
7,114,742 B1 * 10/2006 Sterns B25H 5/00
280/639

2004/0066020 A1* 4/2004 Hernandez, Jr. B25H 5/00
280/639
2007/0285807 A1* 12/2007 Duval B60P 1/435
359/843
2011/0227302 A1* 9/2011 Gillespie B25H 5/00
280/32.6

* cited by examiner

Primary Examiner — Cynthia Ramirez

(74) *Attorney, Agent, or Firm* — Renner, Kenner, Greive,
Bobak, Taylor & Weber

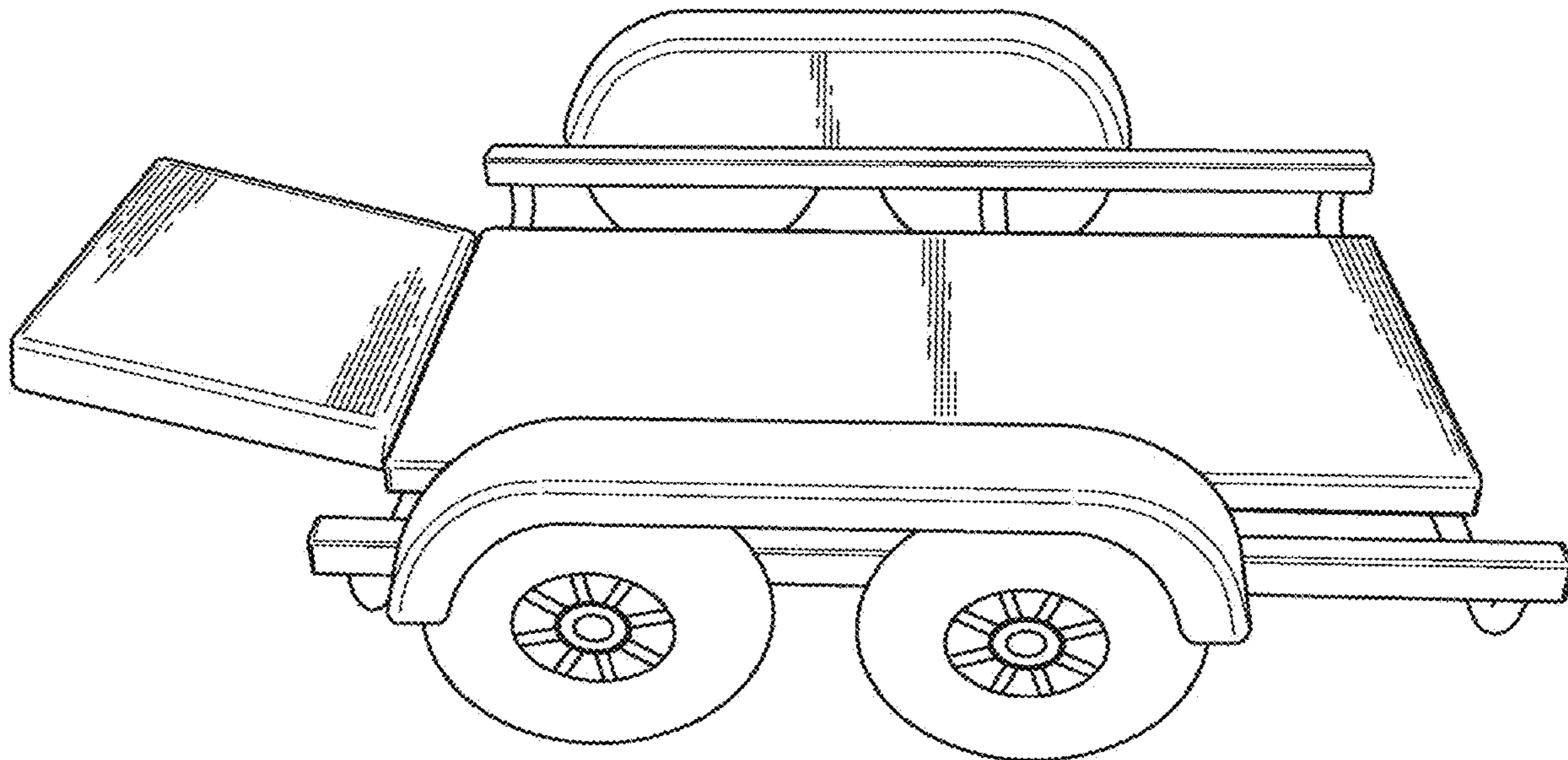
(57) **CLAIM**

The ornamental design for an all terrane creeper, as shown
and described.

DESCRIPTION

FIG. 1 is a top, left side perspective view of an all terrane
creeper showing our new design;
FIG. 2 is a top plan view thereof;
FIG. 3 is a left side elevational view thereof;
FIG. 4 is a rear elevational view thereof;
FIG. 5 is a front elevational view thereof;
FIG. 6 is a right side elevational view thereof; and,
FIG. 7 is a bottom plan view thereof.

1 Claim, 6 Drawing Sheets



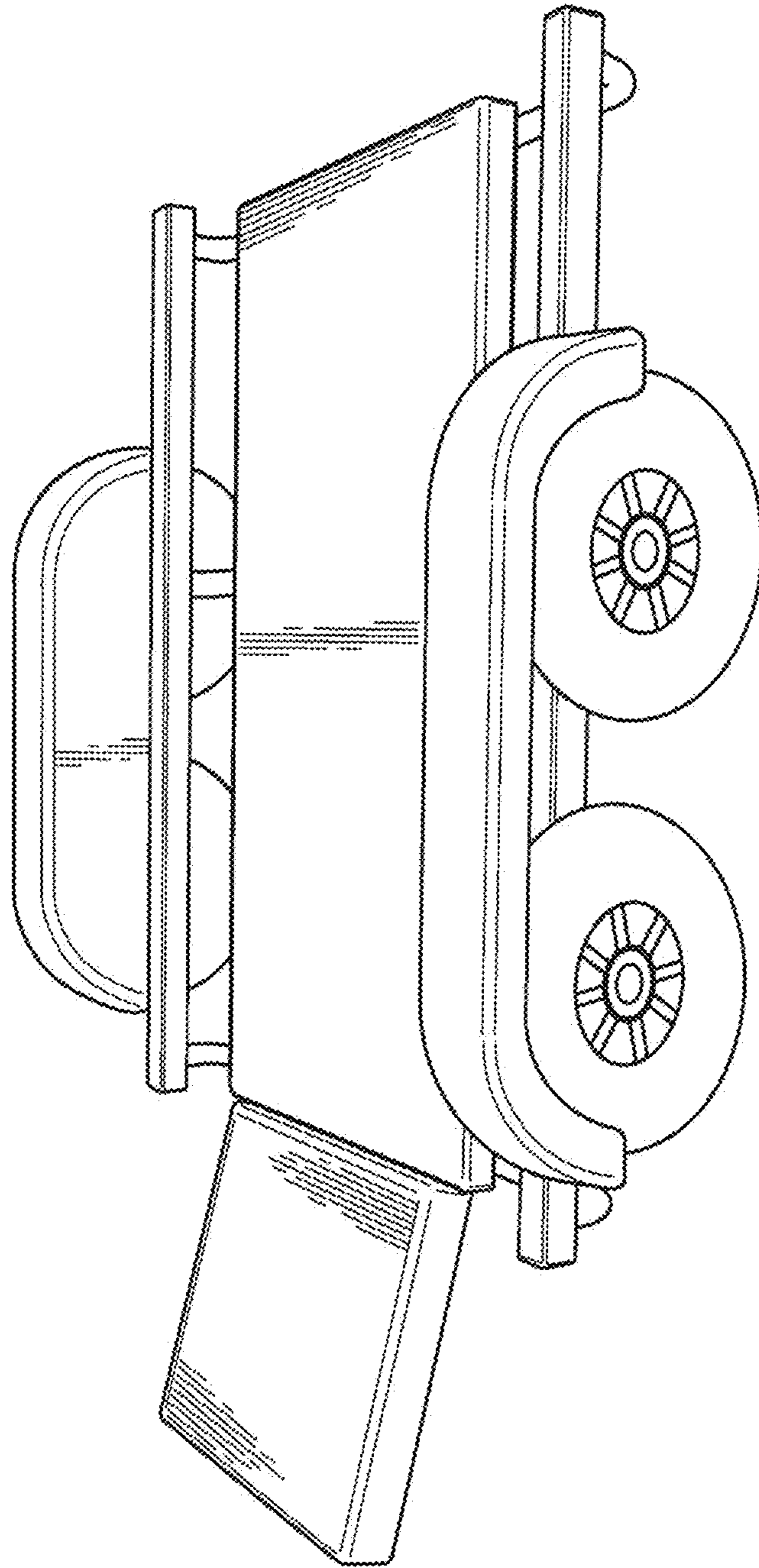


FIG. 1

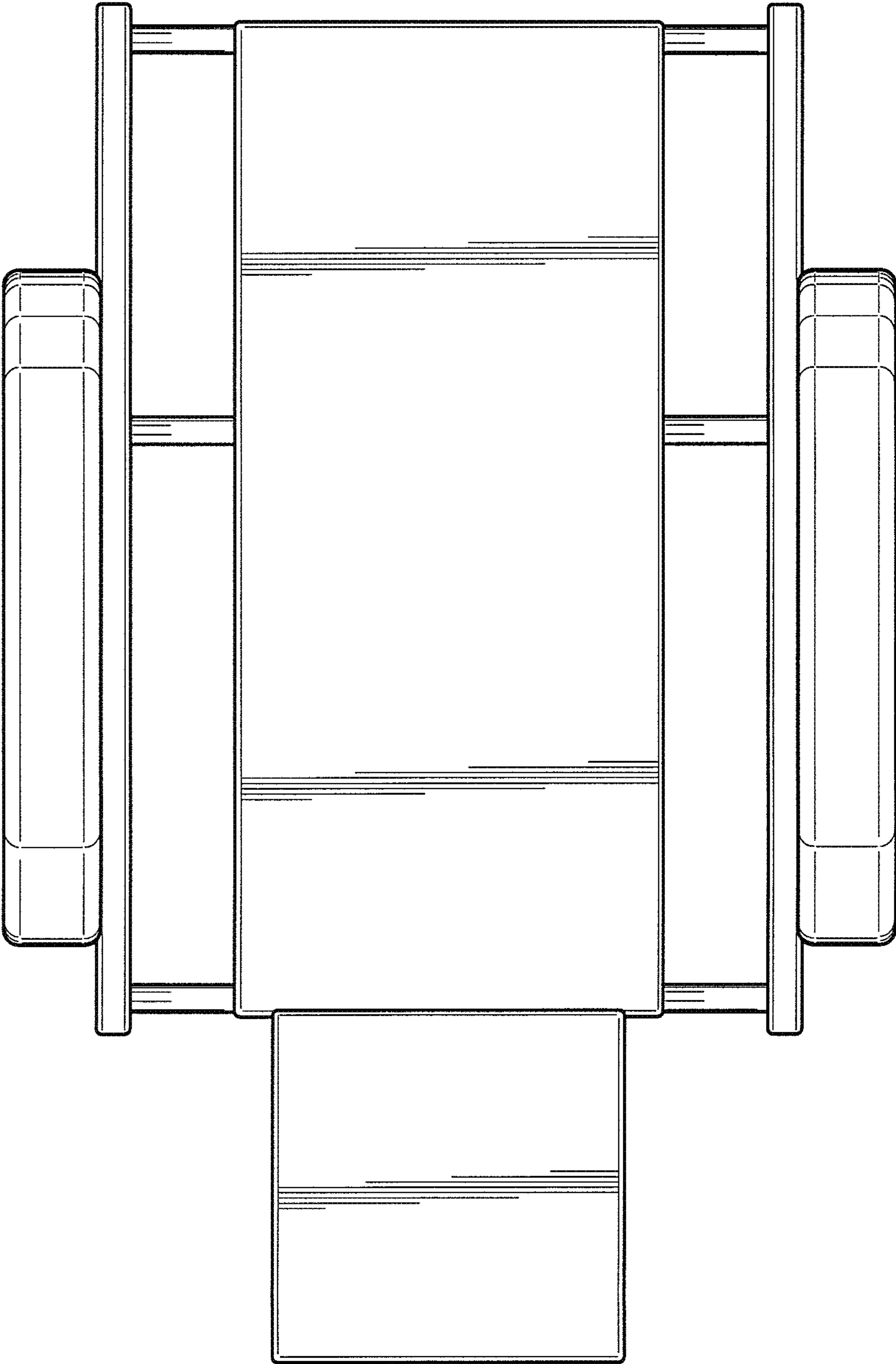


FIG. 2

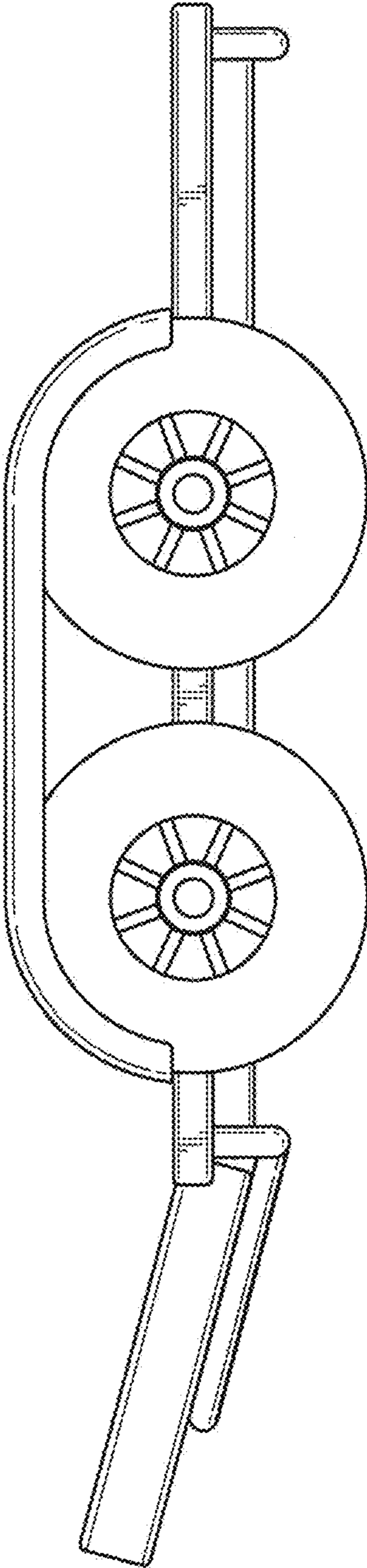


FIG. 3

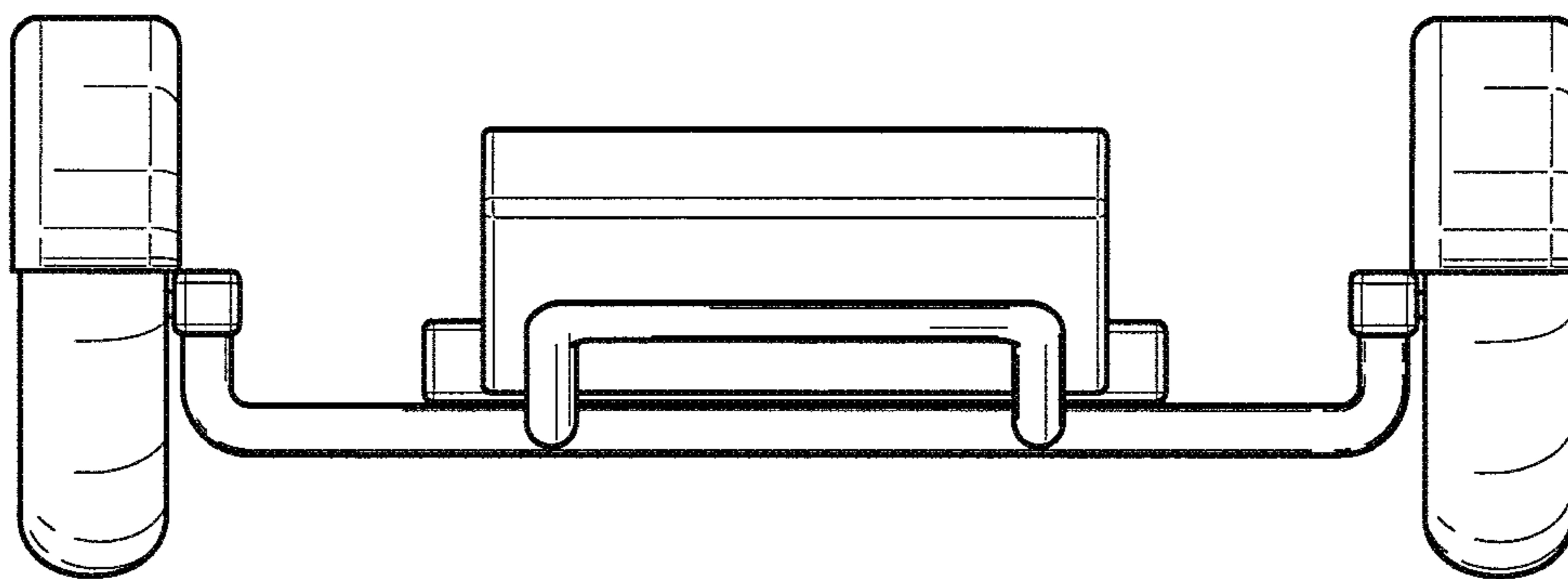


FIG. 4

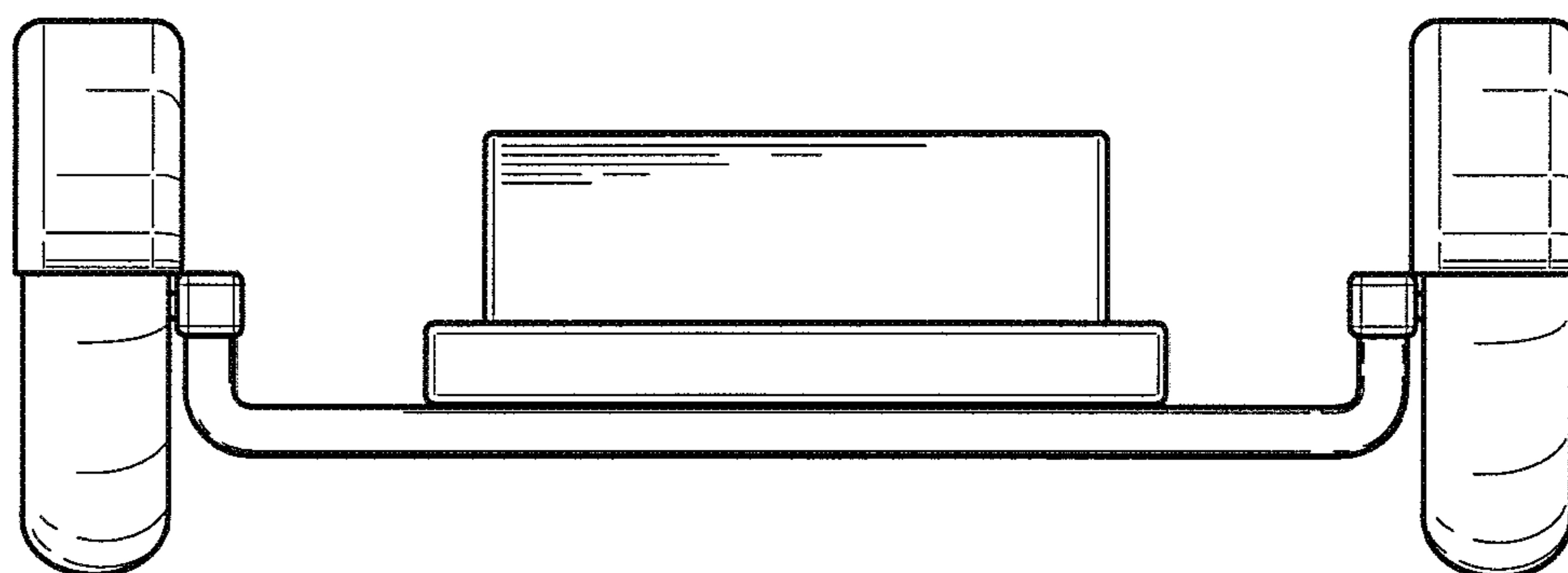


FIG. 5

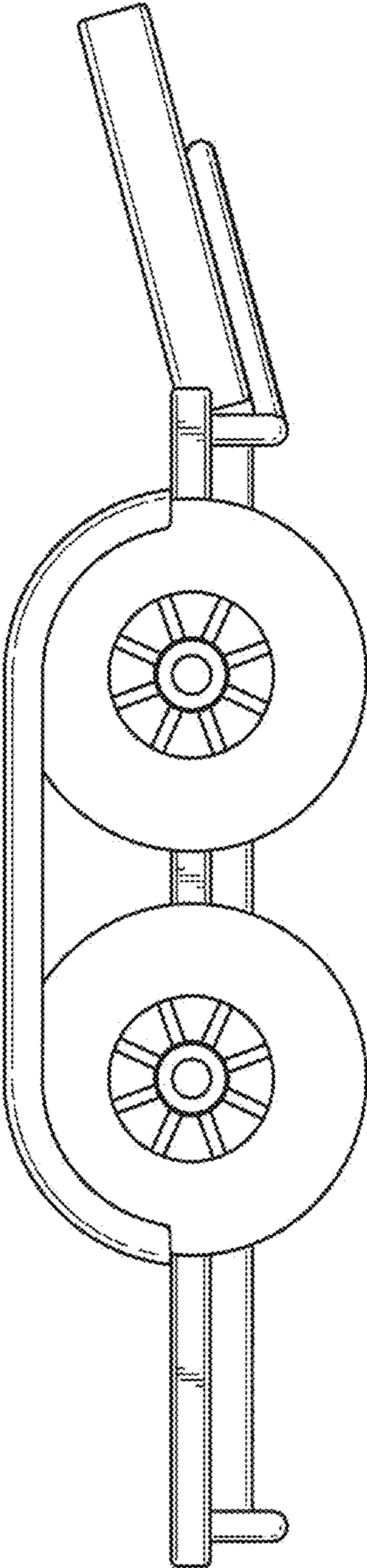


FIG. 6

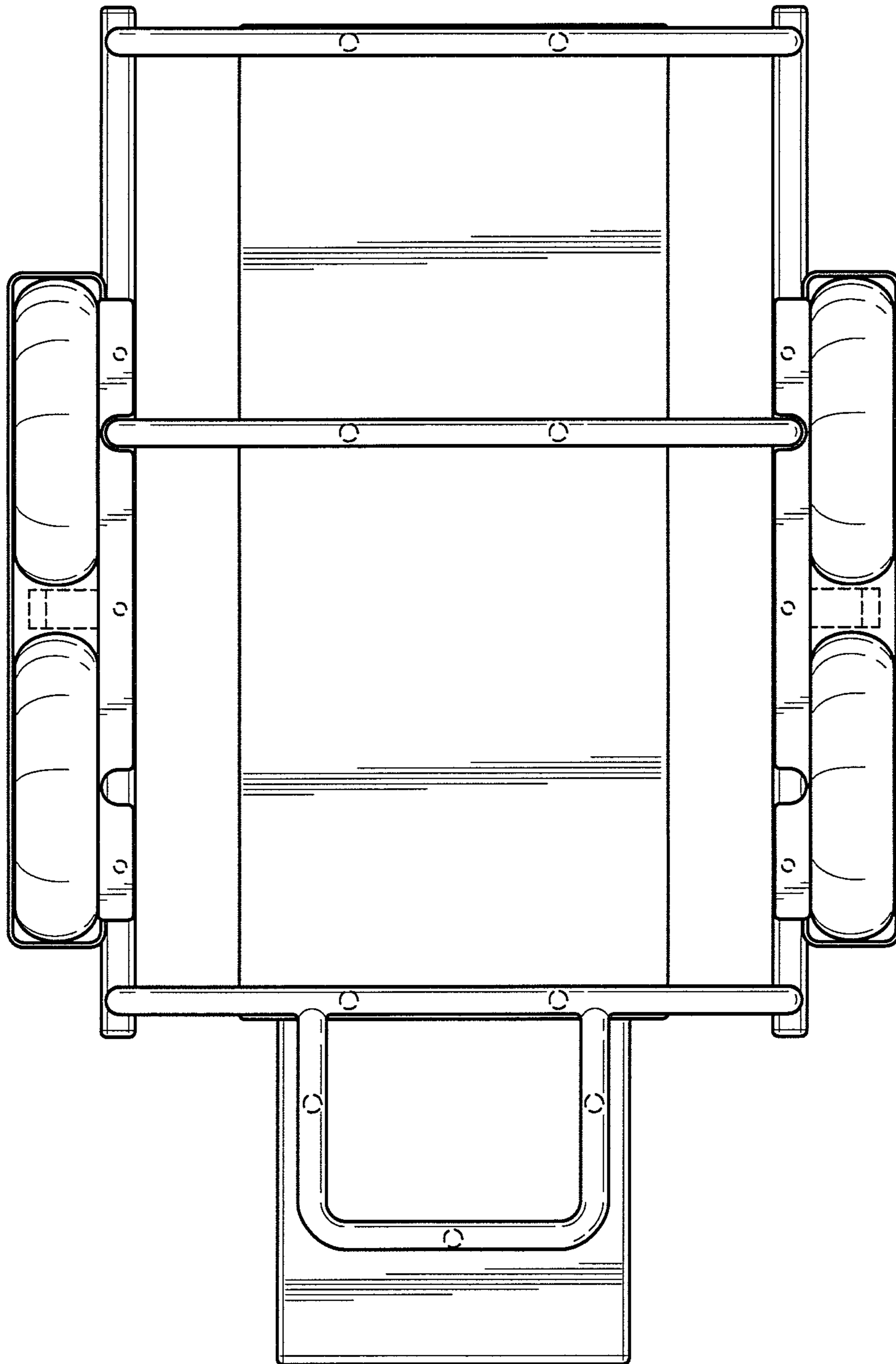


FIG. 7