



US00D894509S

(12) **United States Design Patent**
Renteria

(10) **Patent No.:** **US D894,509 S**

(45) **Date of Patent:** **** Aug. 25, 2020**

- (54) **SPLIT PAINT BUCKET**
- (71) Applicant: **Jorge Renteria**, Tempe, AR (US)
- (72) Inventor: **Jorge Renteria**, Tempe, AR (US)
- (**) Term: **15 Years**
- (21) Appl. No.: **29/647,967**
- (22) Filed: **May 17, 2018**
- (51) **LOC (12) Cl.** **07-05**
- (52) **U.S. Cl.**
USPC **D32/53**
- (58) **Field of Classification Search**
USPC D32/53, 53.1, 54; D3/304, 307, 315;
D9/753
CPC B44D 3/123; B44D 3/128; B44D 3/12;
A47L 13/142; A47L 13/58; B65D 25/14
See application file for complete search history.

- D453,405 S * 2/2002 Howard B44D 3/128
D3/311
- 8,636,171 B1 * 1/2014 Dattilo B44D 3/12
220/657
- D740,510 S * 10/2015 Arvinte A47G 19/12
D32/54
- D759,332 S * 6/2016 Basmajian D34/1
- 9,446,884 B2 * 9/2016 McGinley A47G 19/12
- D801,610 S * 10/2017 Nadin A47J 47/18
D32/53
- D831,505 S * 10/2018 McSweeney B65D 7/02
D9/756
- 2006/0226156 A1 * 10/2006 Lundy B44D 3/123
220/570

* cited by examiner

Primary Examiner — Sheryl Lane
Assistant Examiner — Calvin E Vansant
 (74) *Attorney, Agent, or Firm* — Sanchelima &
 Associates, P.A.; Christian Sanchelima; Jesus Sanchelima

(56) **References Cited**

U.S. PATENT DOCUMENTS

- 2,321,981 A * 6/1943 Bowers A47J 47/18
211/85.21
- 2,726,004 A * 12/1955 McLeod B65D 7/02
220/23.2
- 2,896,809 A * 7/1959 Metzger A47J 47/18
220/553
- 3,329,307 A * 7/1967 Jacobson B44D 3/128
220/695
- 4,834,253 A * 5/1989 Crine B65F 1/085
220/23.4
- 6,062,389 A * 5/2000 Kent B44D 3/12
15/257.05
- 6,138,963 A * 10/2000 Malvasio B44D 3/12
220/555
- D446,619 S * 8/2001 Howard B44D 3/123
D34/1

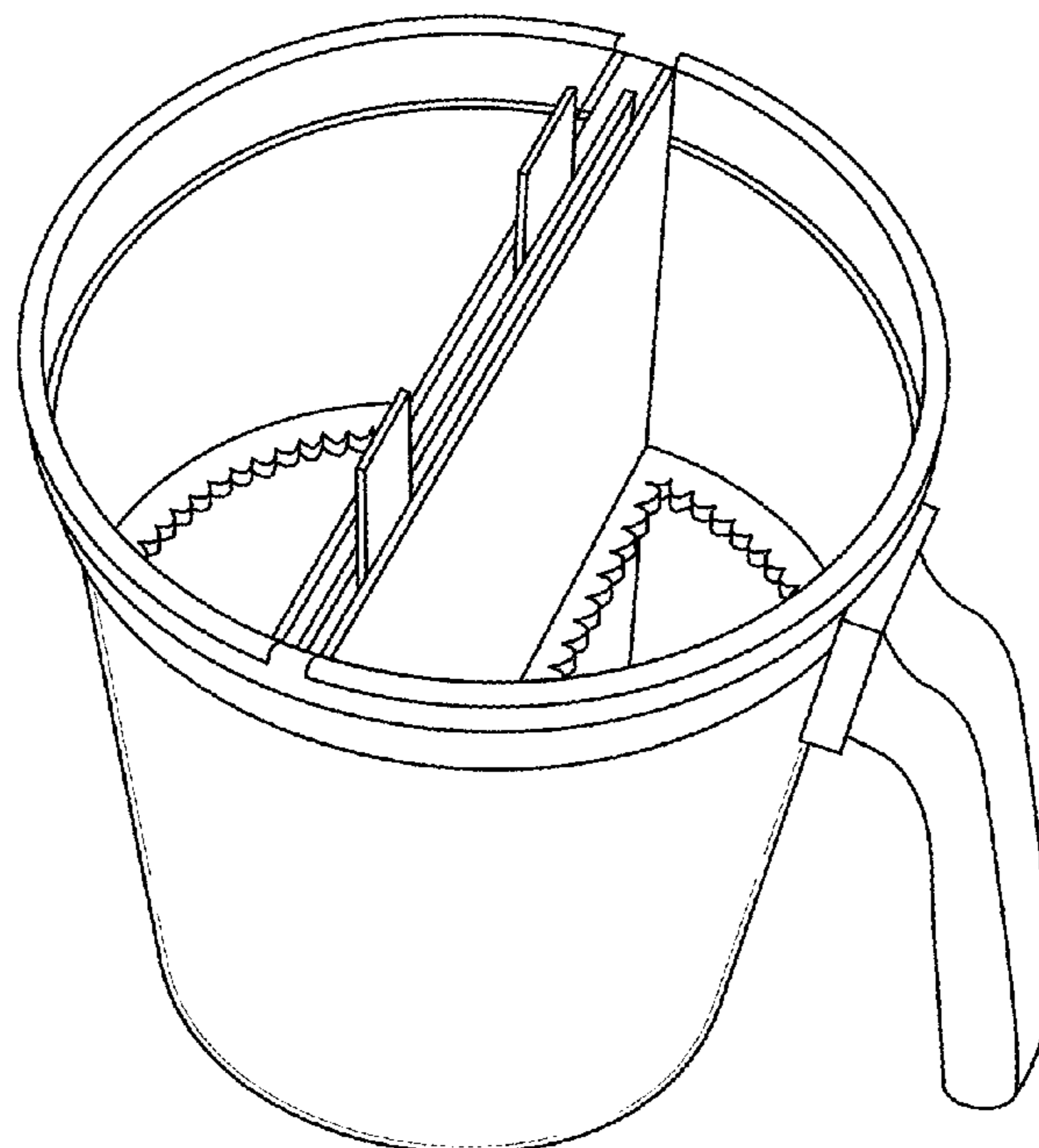
(57) **CLAIM**

The ornamental design for a split paint bucket, as shown and described.

DESCRIPTION

FIG. 1 is an isometric view of a split paint bucket showing my new design;
 FIG. 2 is a top isometric view thereof;
 FIG. 3 is a left side view thereof;
 FIG. 4 is a right side view thereof;
 FIG. 5 is a rear side view thereof;
 FIG. 6 is a front view thereof;
 FIG. 7 is a top view thereof; and,
 FIG. 8 is a bottom view thereof showing my design.

1 Claim, 7 Drawing Sheets



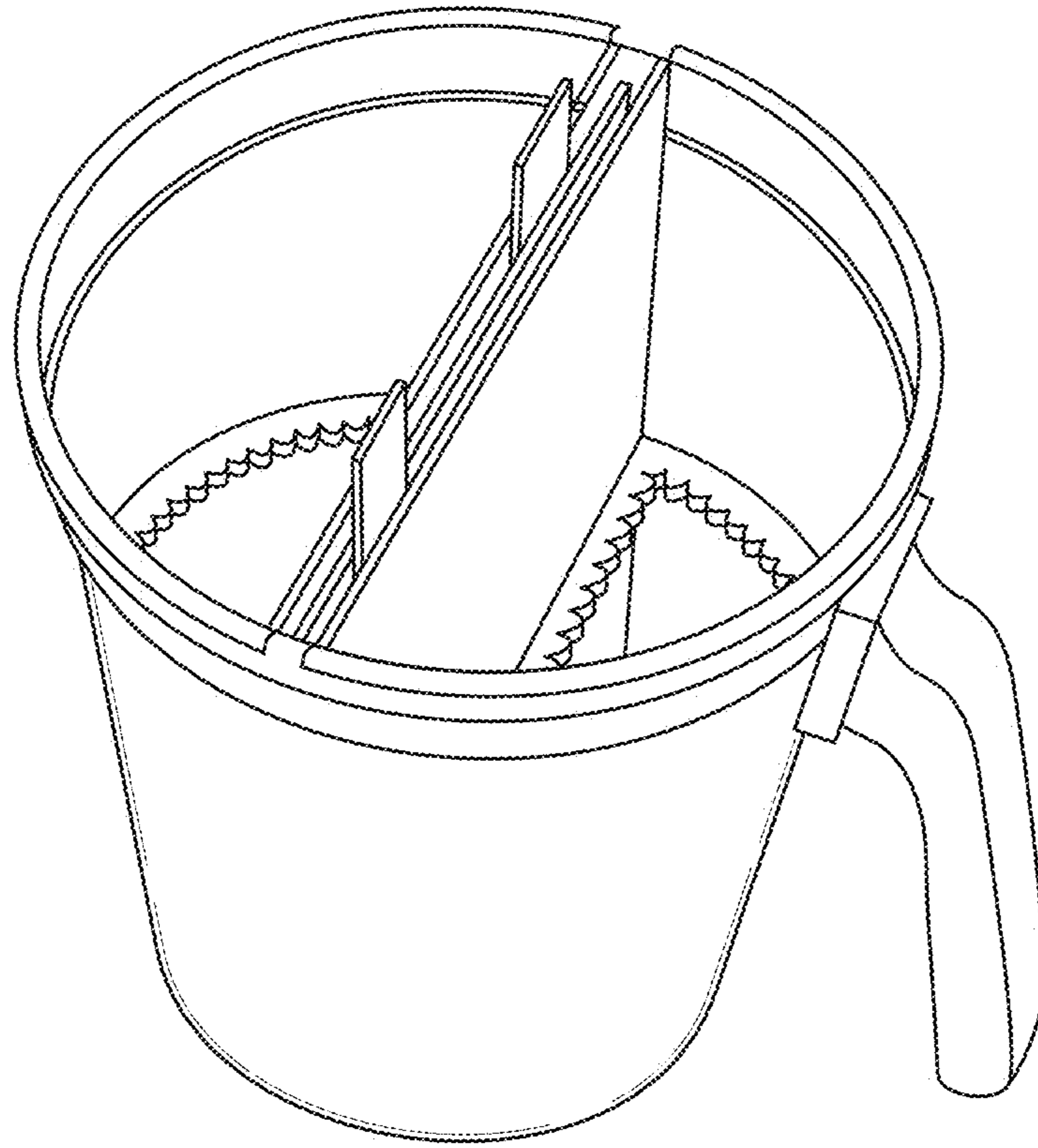


FIG. 1

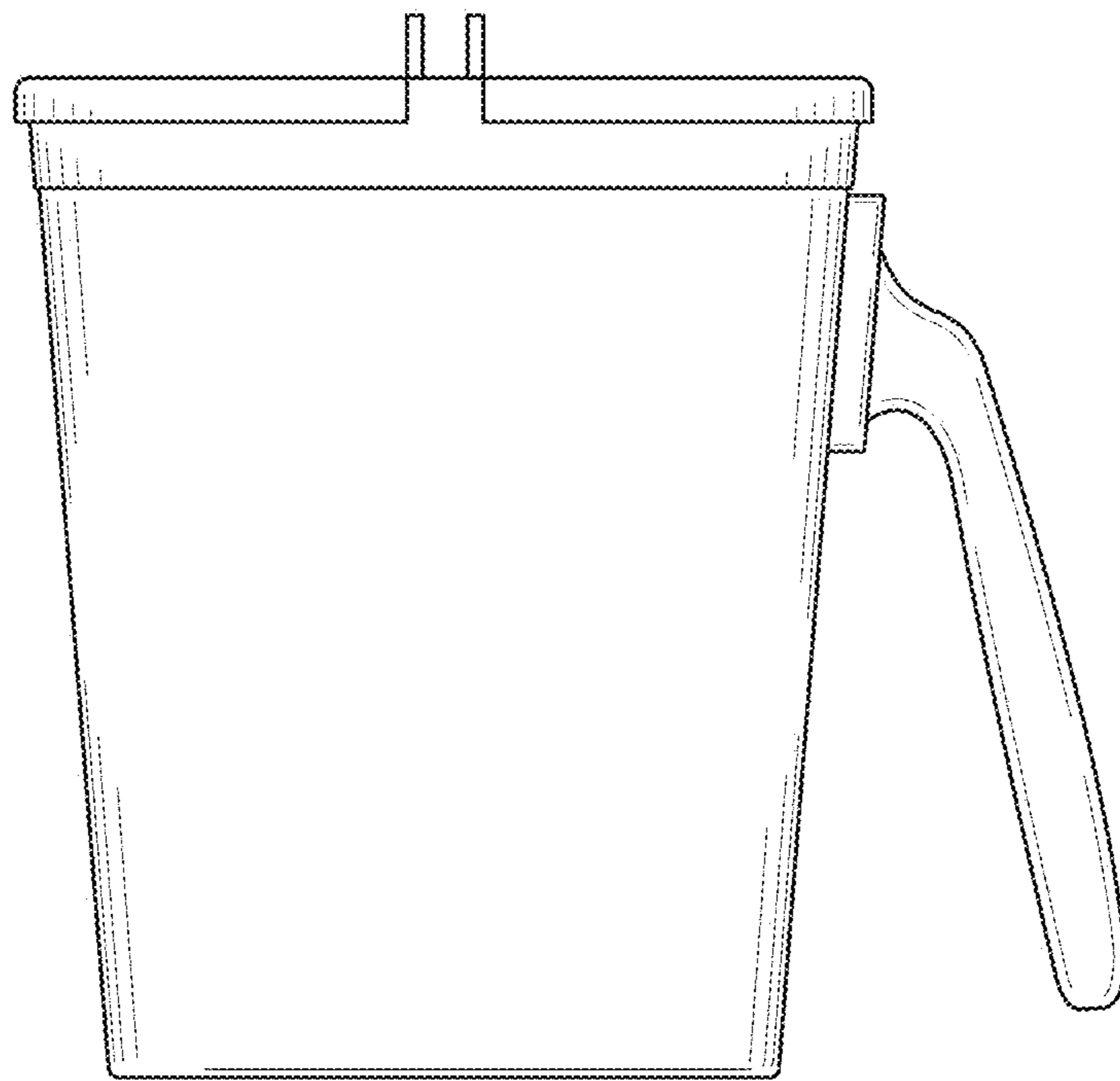


FIG. 2

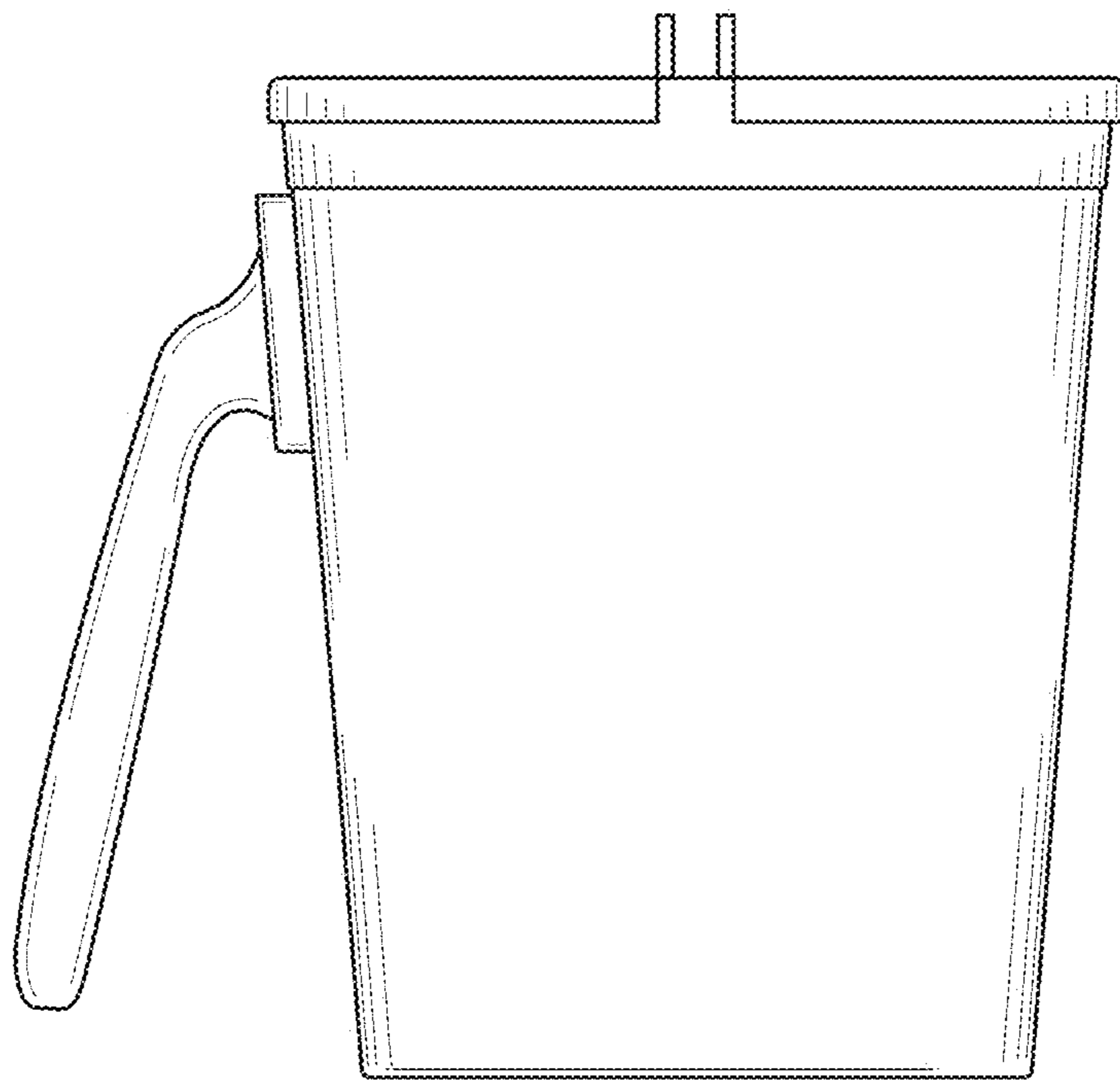


FIG. 3

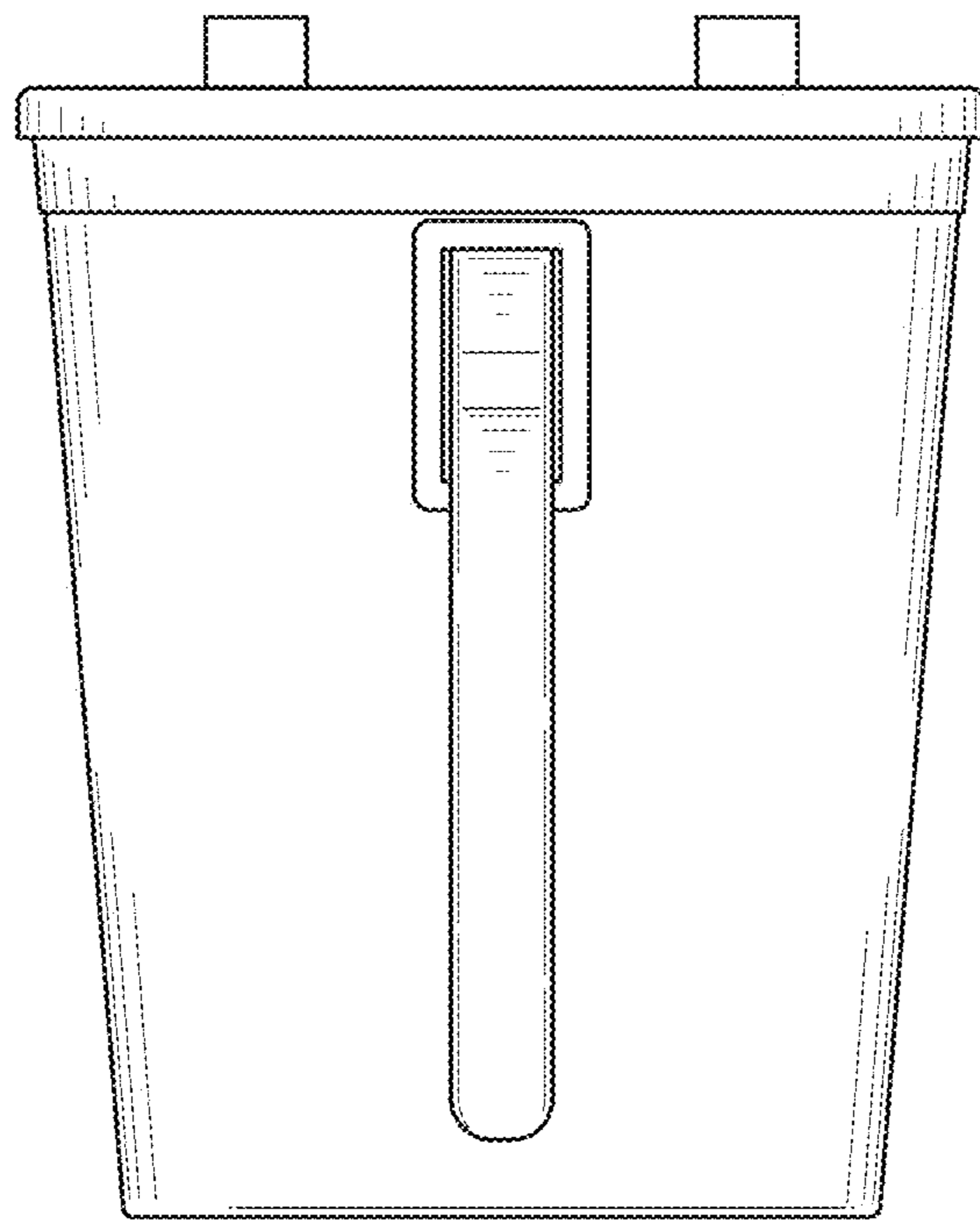


FIG. 4

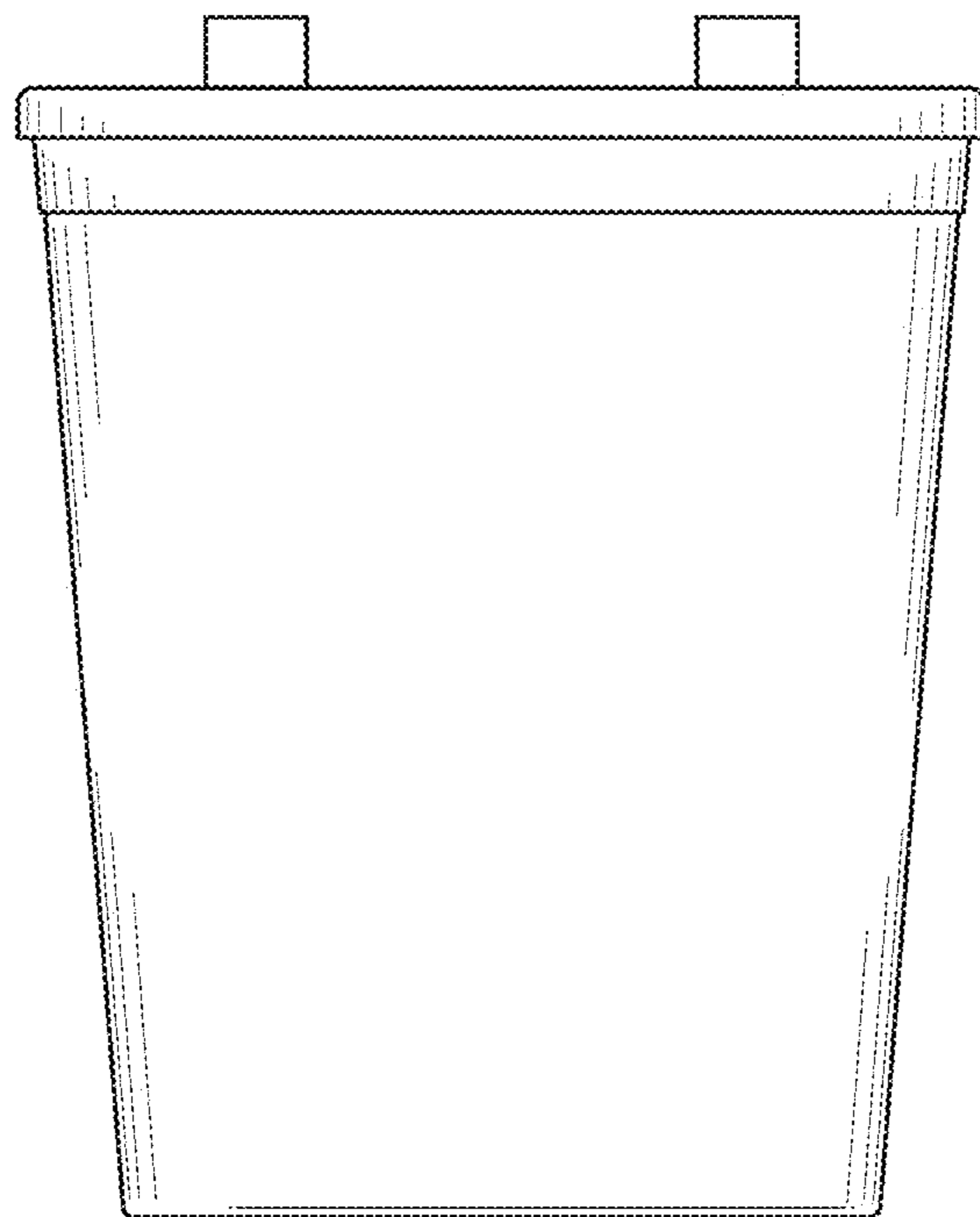


FIG. 5

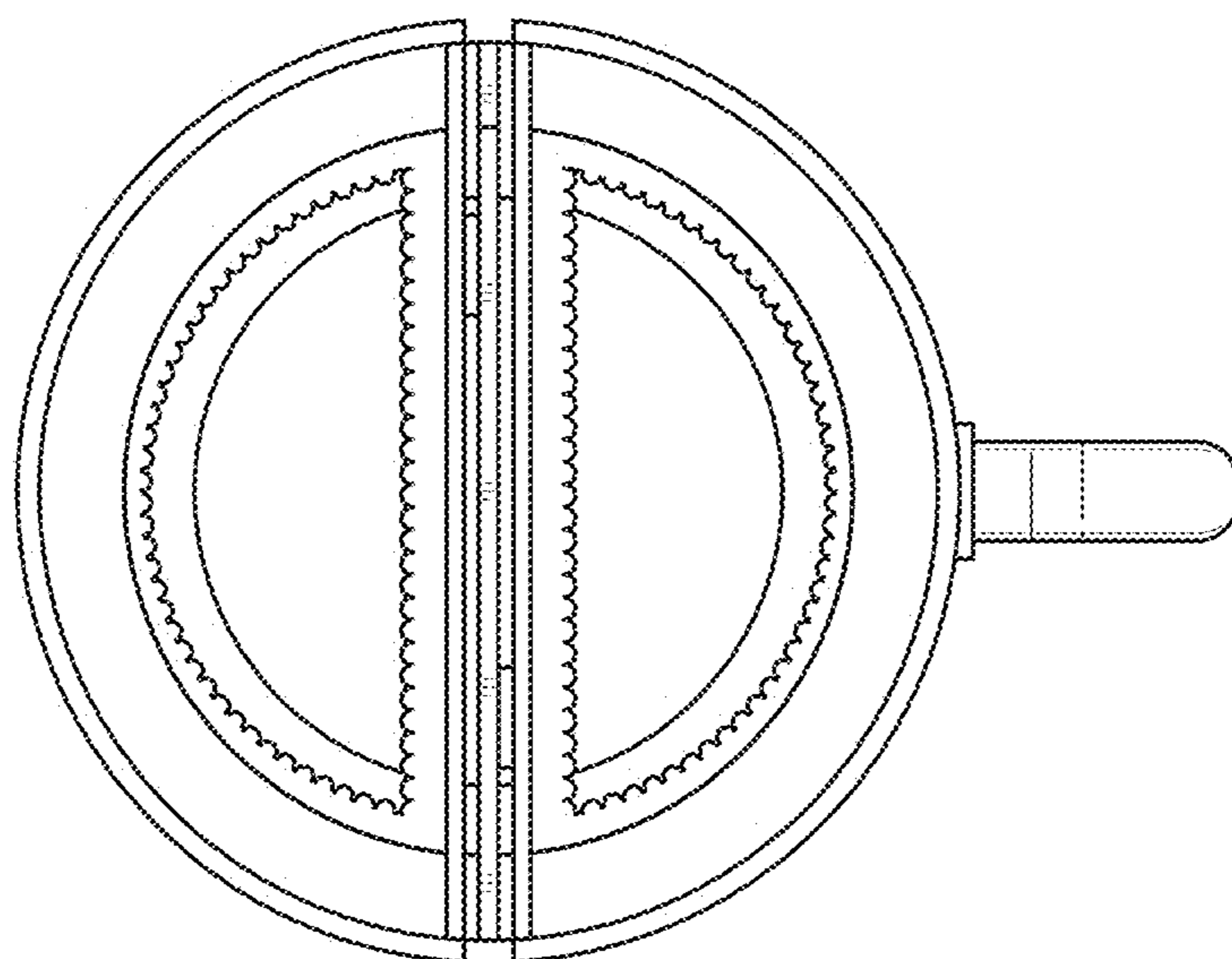


FIG. 6

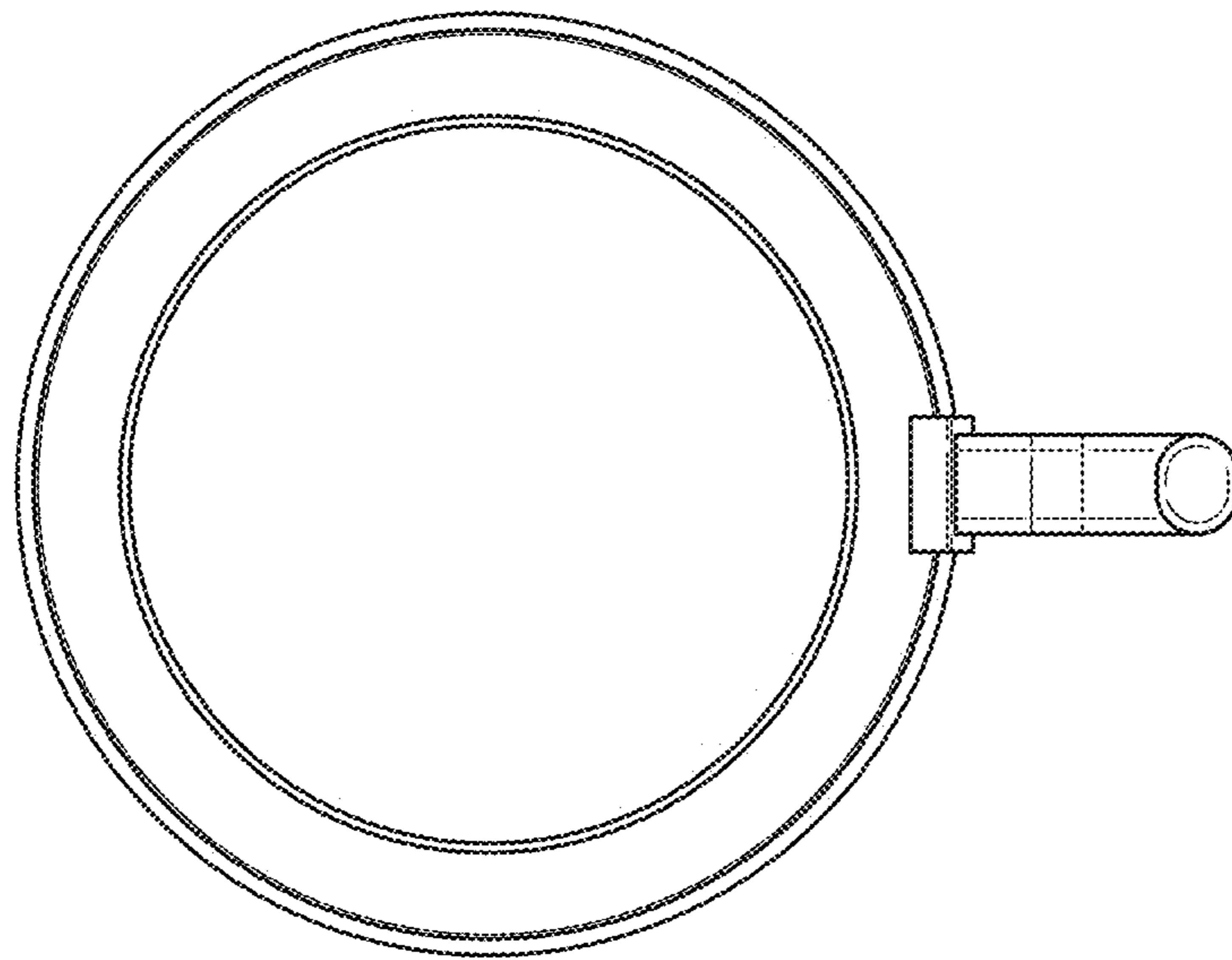


FIG. 7