

US00D894508S

(12) **United States Design Patent** (10) **Patent No.:** **US D894,508 S**
Kim et al. (45) **Date of Patent:** **** Aug. 25, 2020**

(54) **DETERGENT DISPENSER FOR WASHING MACHINE**

(71) Applicant: **LG ELECTRONICS INC.**, Seoul (KR)

(72) Inventors: **Byeongkook Kim**, Seoul (KR); **Nerry Son**, Seoul (KR); **Junghwan Lee**, Seoul (KR)

(73) Assignee: **LG Enterprises Inc.**, Seoul (KR)

(**) Term: **15 Years**

(21) Appl. No.: **35/507,253**

(22) Filed: **Feb. 15, 2019**

(80) **Hague Agreement Data**

Int. Filing Date: **Feb. 15, 2019**

Int. Reg. No.: **DM/201475**

Int. Reg. Date: **Feb. 15, 2019**

Int. Reg. Pub. Date: **Aug. 16, 2019**

(51) **LOC (12) Cl.** **23-01**

(52) **U.S. Cl.**
USPC **D32/29.1**

(58) **Field of Classification Search**

USPC D32/2, 6-13, 55, 56, 58, 25-31; D6/410, D6/411, 462, 546, 548, 553, 567, 574, D6/566; D23/271, 273, 284, 286, 308

CPC D06F 33/02; D06F 39/14; D06F 37/304; D06F 39/005; D06F 39/12; D06F 37/04; D06F 39/02; D06F 29/00; D06F 37/203; D06F 37/28; D06F 37/30; D06F 58/02; D06F 2204/065; D06F 2222/00; D06F 29/005; D06F 29/02; D06F 31/00; D06F 33/00; D06F 37/10; D06F 37/12; D06F 37/36; D06F 58/206; D06F 58/22; D06F 58/24; D06F 17/08; D06F 1/04; D06F 2058/2803; D06F 2202/00; D06F 2202/02; D06F 2202/065; D06F 2202/12; D06F 2204/02; D06F 2204/086; D06F 2224/00; D06F 2232/00; D06F 2232/08;

D06F 23/04; D06F 35/00; D06F 35/005; D06F 35/006; D06F 35/007; D06F 37/00; D06F 37/02; D06F 37/225; D06F 37/263; D06F 37/266; D06F 37/268; D06F 37/40; D06F 37/42; D06F 39/003; D06F 39/004; D06F 39/007; D06F 39/08; D06F 39/088; D06F 39/125; D06F 58/203; D06F 58/28; D06F 81/06

See application file for complete search history.

(56) **References Cited**

U.S. PATENT DOCUMENTS

D787,764 S * 5/2017 Kim D32/29.1
D788,390 S * 5/2017 Kim D32/29.1
D788,391 S * 5/2017 Kim D32/29.1
D797,389 S * 9/2017 Kim D32/29.1
D800,402 S * 10/2017 Ha D32/29.1
D831,285 S * 10/2018 Kim D32/29.1
D857,317 S * 8/2019 Bockos D32/29.1
D862,014 S * 10/2019 Kim D32/25

(Continued)

Primary Examiner — Khawaja Anwar

(74) *Attorney, Agent, or Firm* — Birch, Stewart, Kolasch & Birch, LLP

(57) **CLAIM**

The ornamental design for a detergent dispenser for washing machine, as shown and described.

DESCRIPTION

1. Detergent dispenser for washing machine

1.1 : Perspective

1.2 : Front

1.3 : Back

1.4 : Left

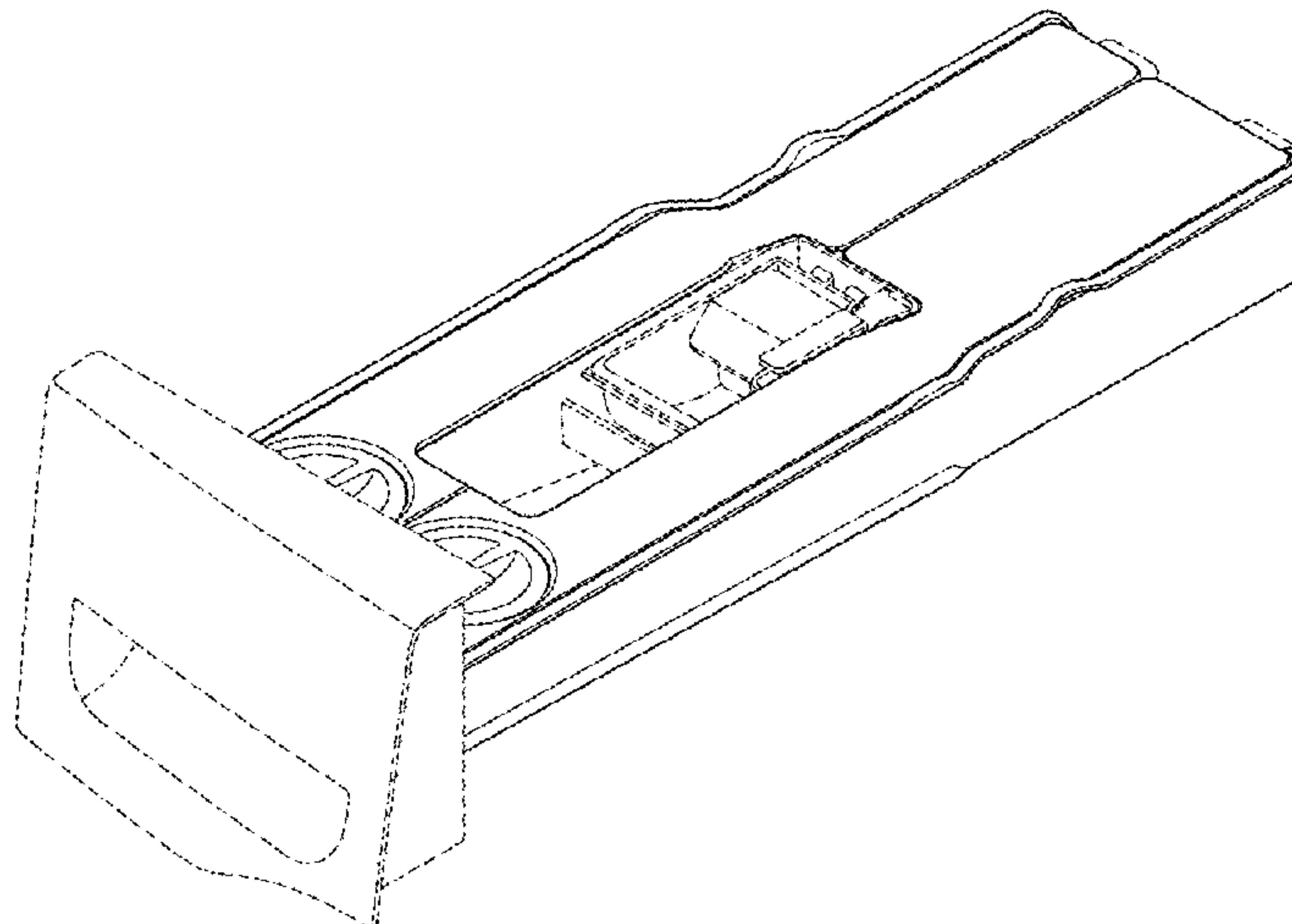
1.5 : Right

1.6 : Top

1.7 : Bottom

Broken lines illustrate environmental condition only and form no part of the claimed design.

1 Claim, 7 Drawing Sheets



(56)

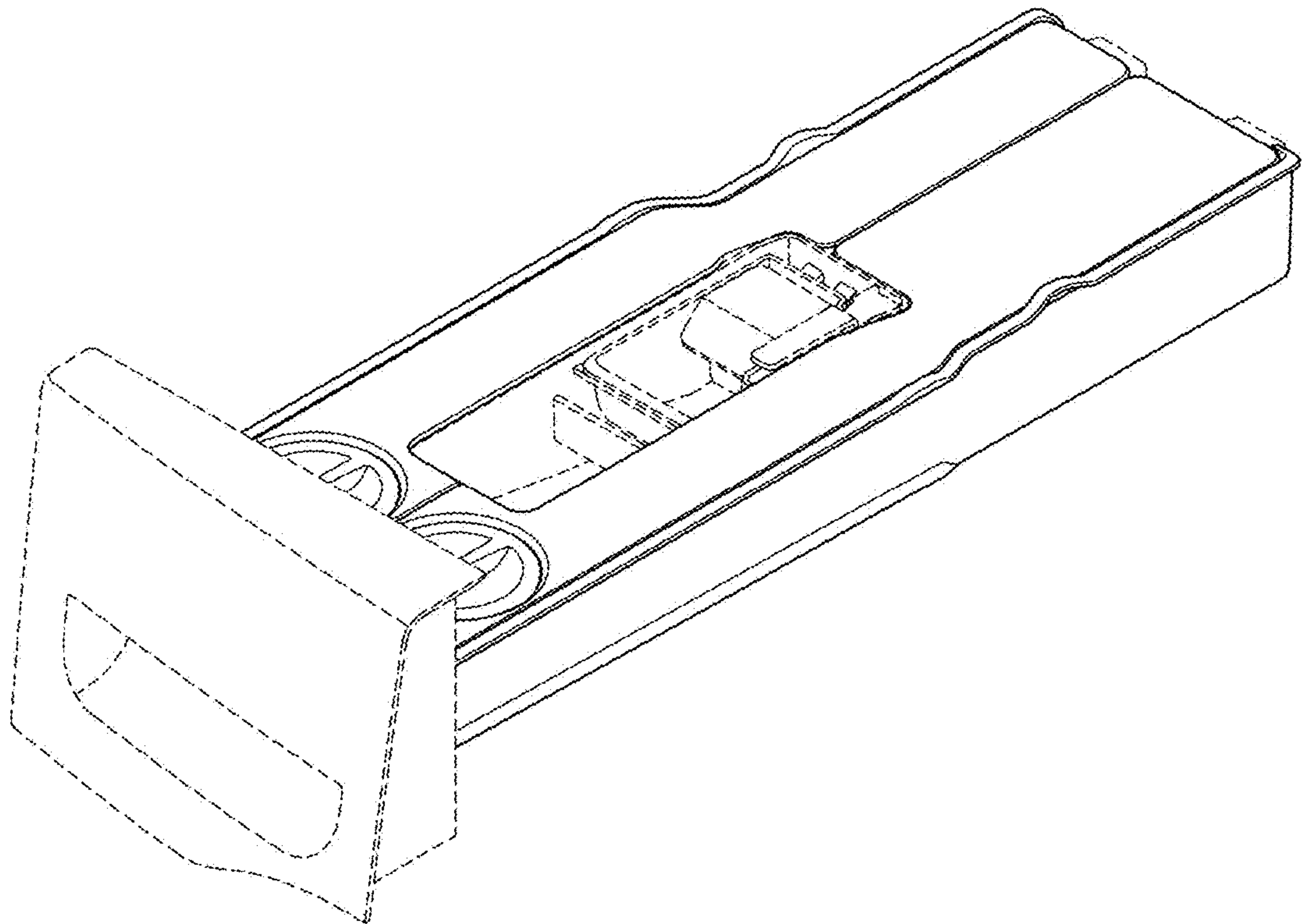
References Cited

U.S. PATENT DOCUMENTS

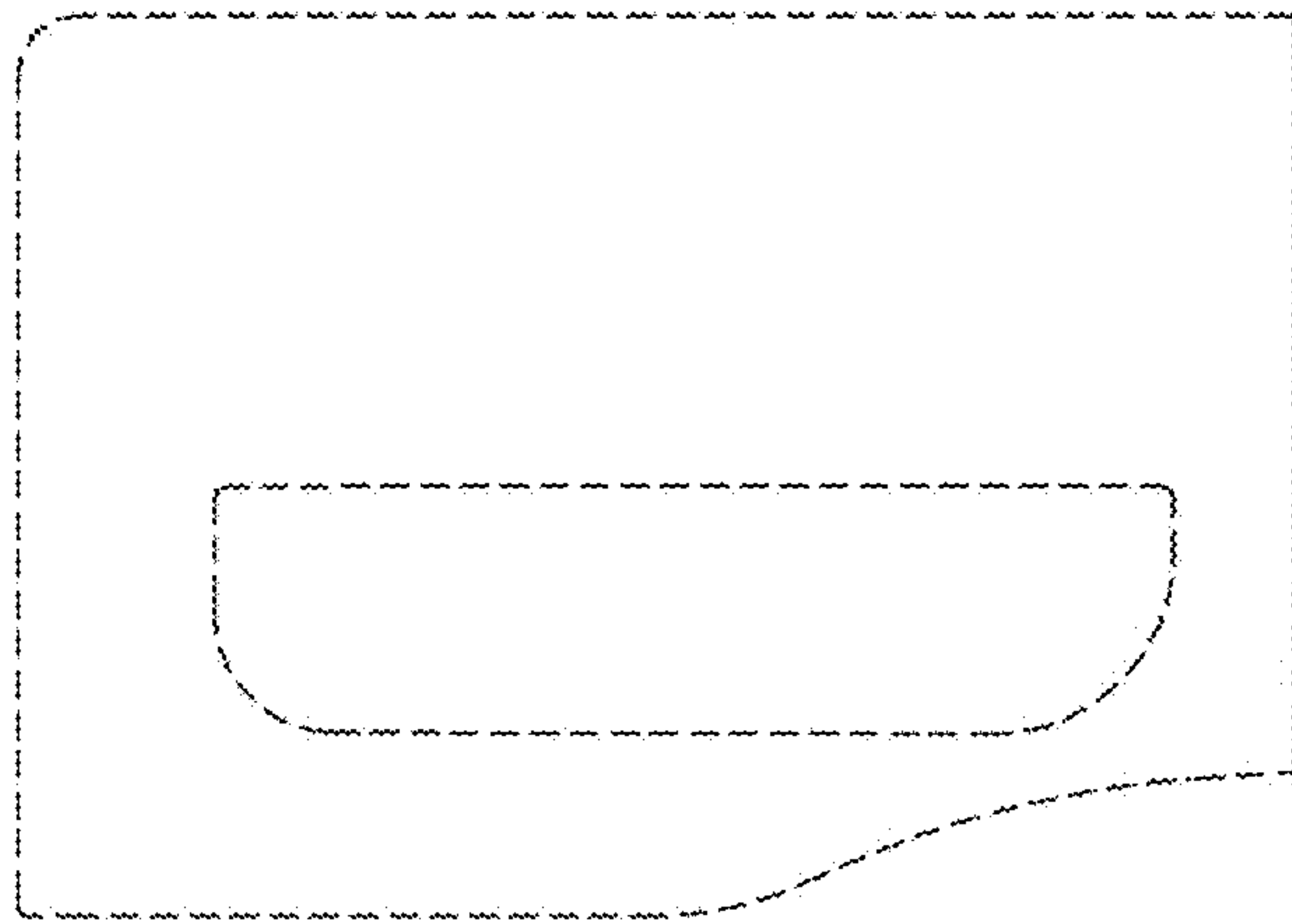
D862,015 S *	10/2019	Kim	D32/25
D882,194 S *	4/2020	Bockos	D32/29.1
D883,597 S *	5/2020	Bockos	D32/29.1
2010/0095712 A1 *	4/2010	Kim	D06F 39/02 68/12.18

* cited by examiner

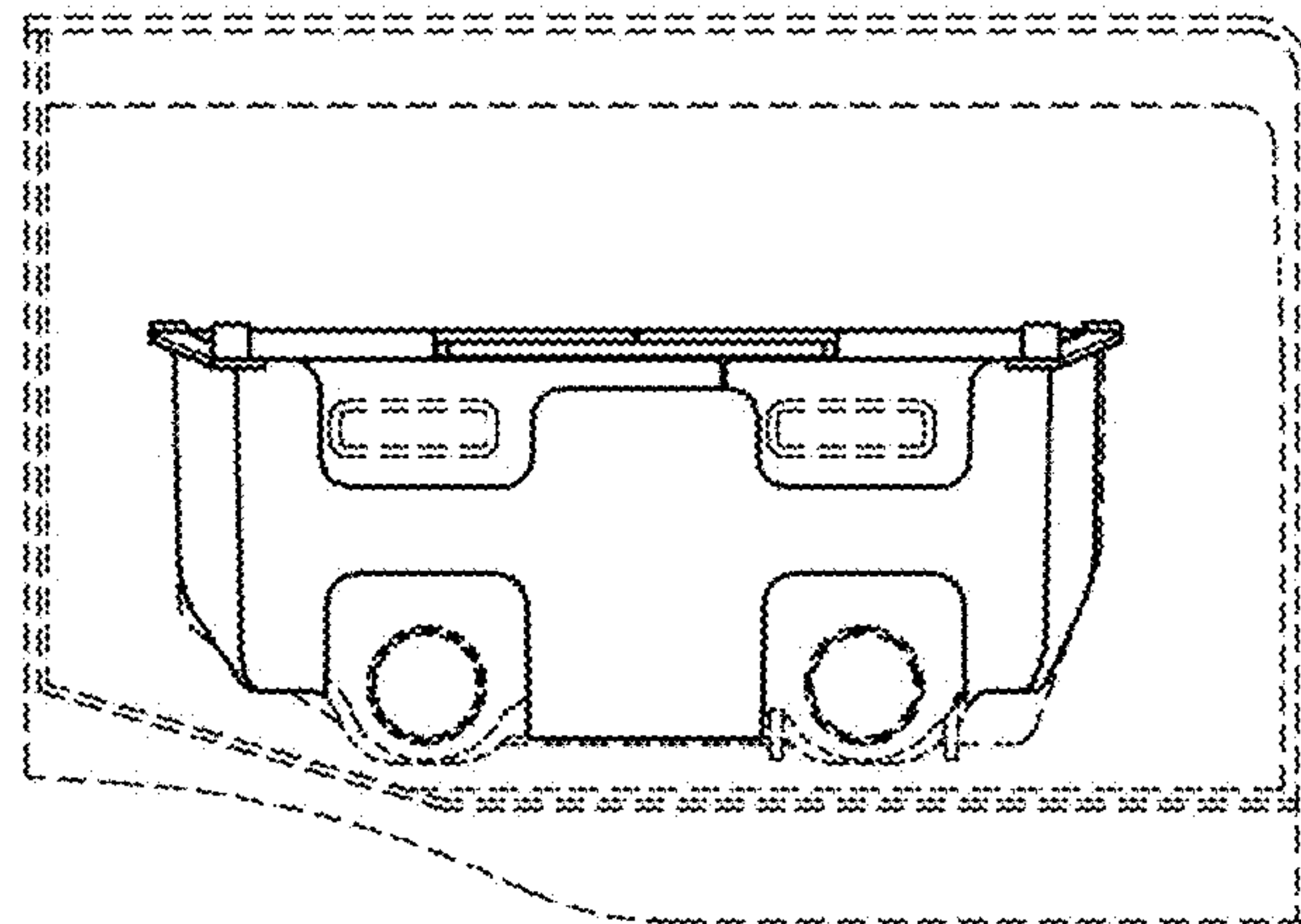
1.1



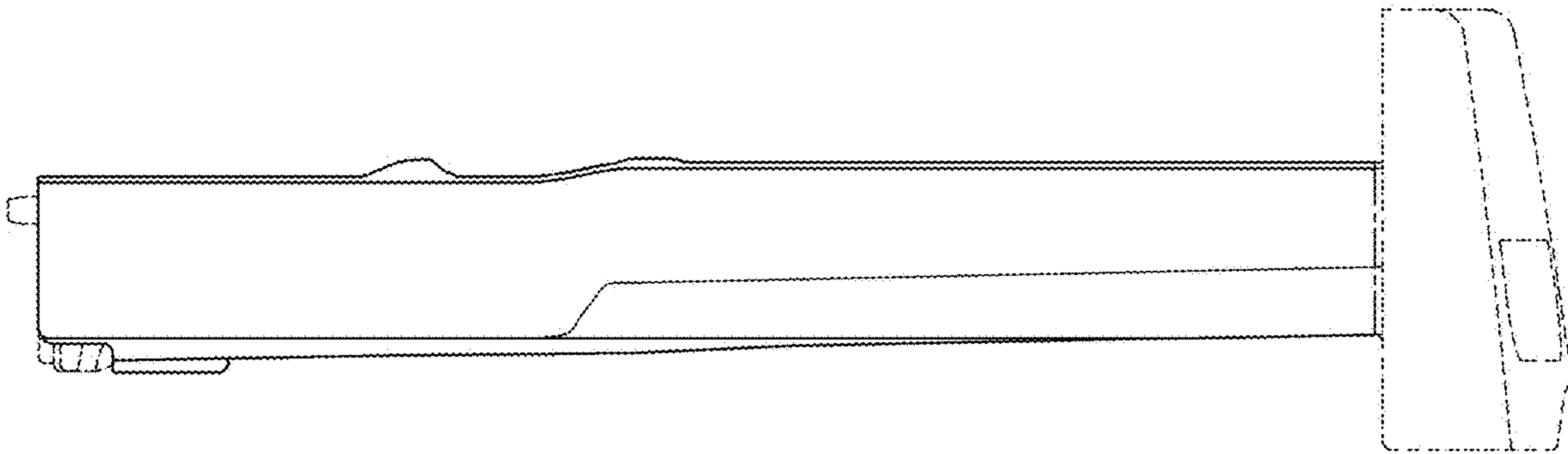
1.2



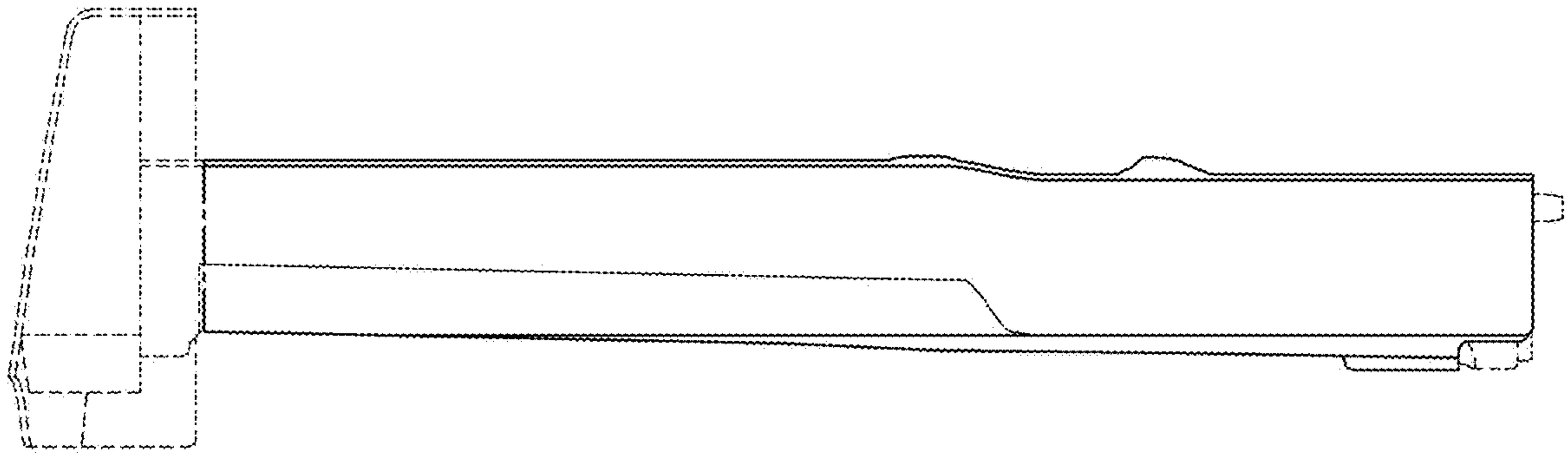
1.3



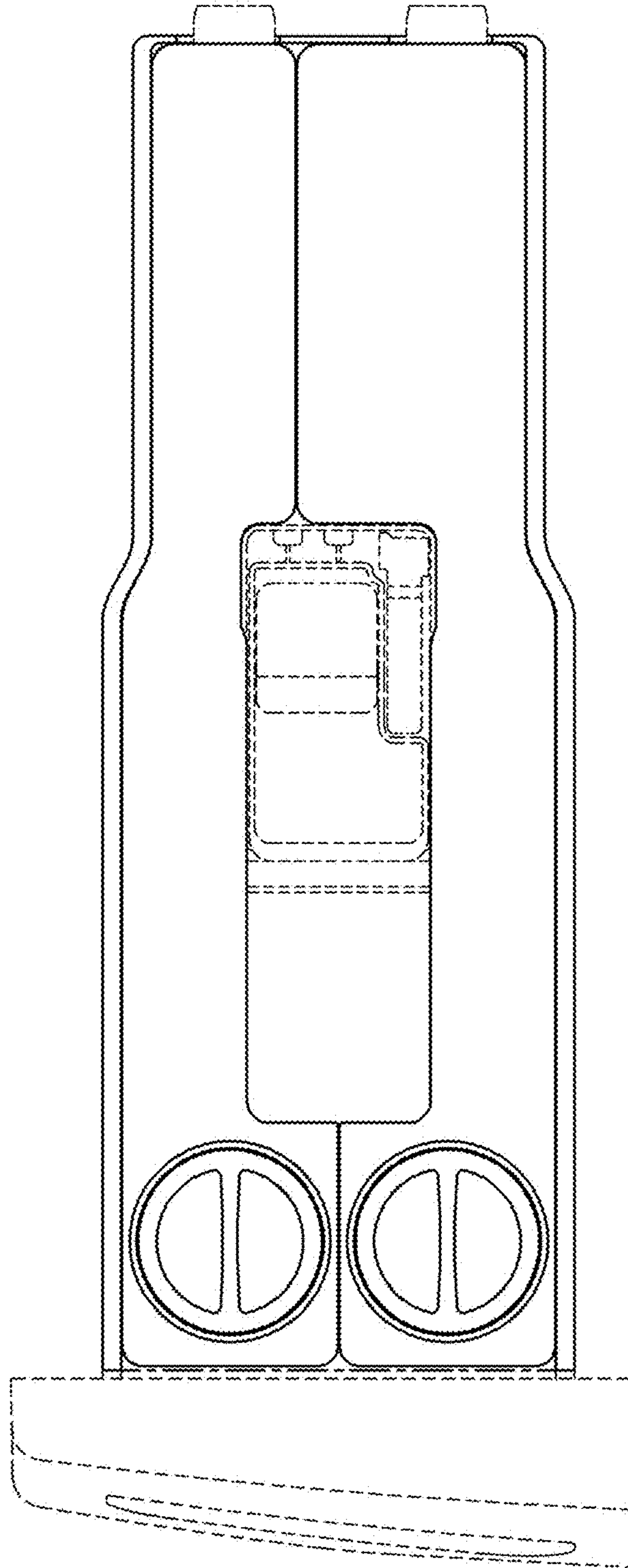
1.4



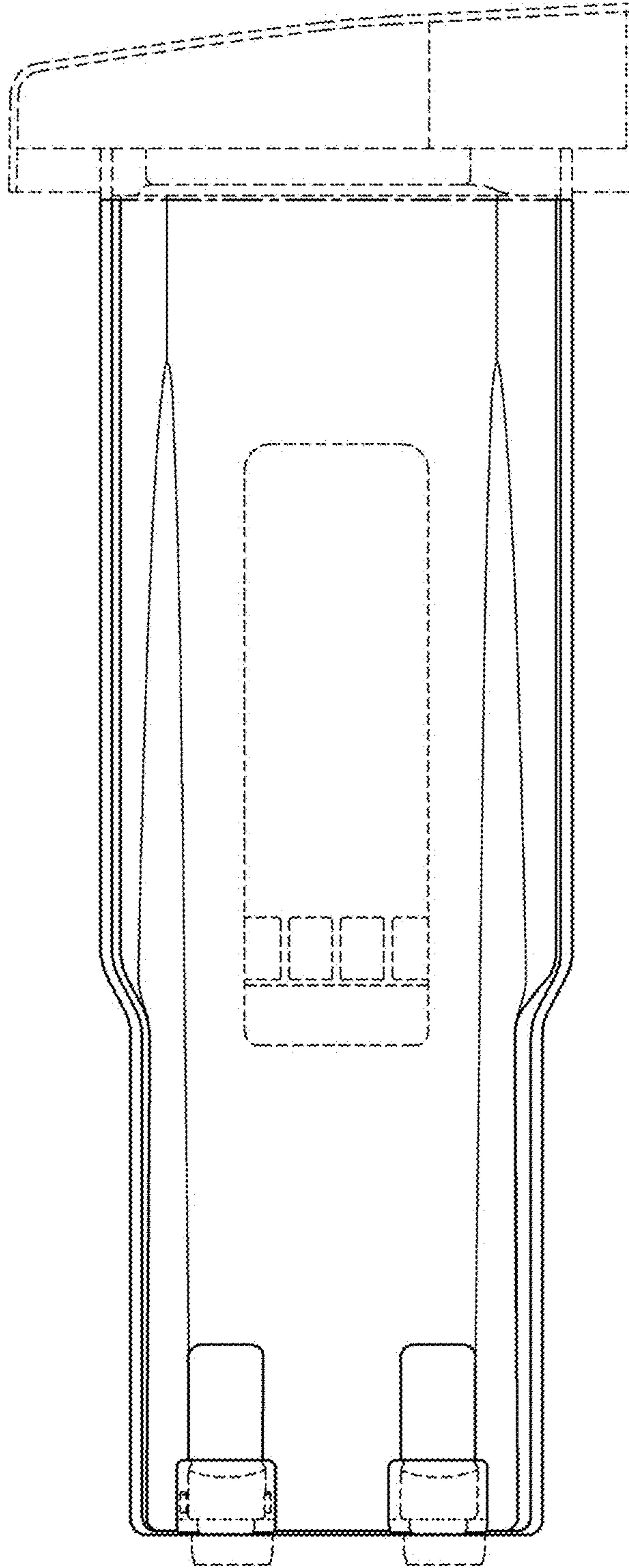
1.5



1.6



1.7



UNITED STATES PATENT AND TRADEMARK OFFICE
CERTIFICATE OF CORRECTION

PATENT NO. : D894,508 S
APPLICATION NO. : 35/507253
DATED : August 25, 2020
INVENTOR(S) : Byeongkook Kim et al.

Page 1 of 1

It is certified that error appears in the above-identified patent and that said Letters Patent is hereby corrected as shown below:

On the Title Page

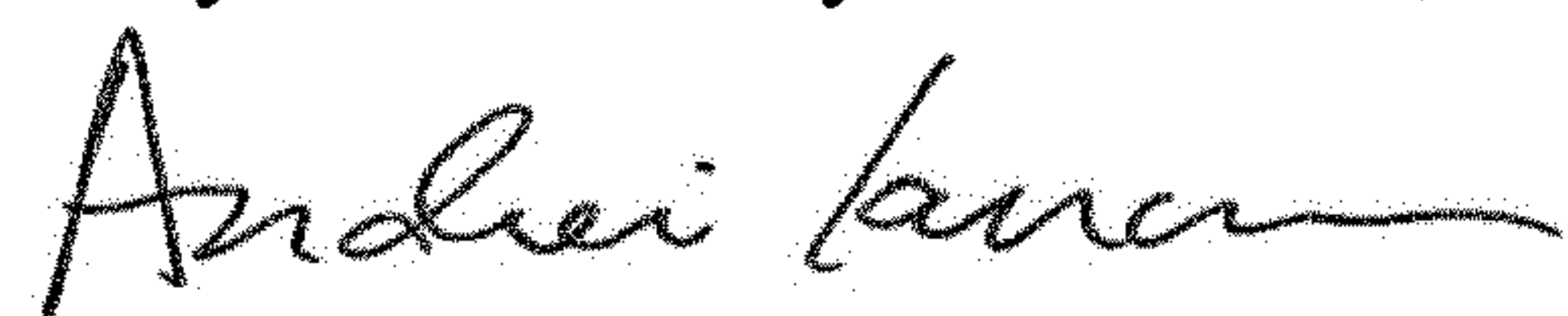
Item (73) Assignee, please correct:

“LG Enterprises Inc., Seoul (KR)”

TO:

-- LG Electronics Inc., Seoul (KR) --

Signed and Sealed this
Twenty-seventh Day of October, 2020



Andrei Iancu
Director of the United States Patent and Trademark Office