



US00D894506S

(12) **United States Design Patent**
Protet

(10) **Patent No.:** **US D894,506 S**

(45) **Date of Patent:** **** Aug. 25, 2020**

(54) **STEAMER APPARATUS**

(71) Applicant: **CALOR**, Ecully (FR)

(72) Inventor: **David Protet**, Auxerre (FR)

(73) Assignee: **CALOR**, Ecully (FR)

(**) Term: **15 Years**

(21) Appl. No.: **29/666,020**

(22) Filed: **Oct. 9, 2018**

(30) **Foreign Application Priority Data**

Jul. 9, 2018 (EM) 005495009-0001
Jul. 9, 2018 (EM) 005495009-0002
Jul. 9, 2018 (EM) 005495009-0003

(51) **LOC (12) Cl.** **15-05**

(52) **U.S. Cl.**
USPC **D32/17**

(58) **Field of Classification Search**

USPC D32/17, 18, 21, 25, 71, 73, 1, 9, 15, 16,
D32/31; 70/20-22, 57, 57.1, DIG. 26,
70/DIG. 27, DIG. 44
CPC D06F 87/00; D06F 75/30; D06F 75/12;
D06F 75/20; D06F 73/00; D06F 59/02;
D06F 59/08; A41L 5/24
See application file for complete search history.

(56) **References Cited**

U.S. PATENT DOCUMENTS

D659,919 S * 5/2012 Lin D32/17
D695,473 S * 12/2013 Ediger D32/17
D707,904 S * 6/2014 Salagnac D32/71
D808,600 S * 1/2018 Malatray D32/17
9,915,024 B2 * 3/2018 Chua D06F 75/38

D828,654 S * 9/2018 Yao D32/1
2008/0168688 A1 * 7/2008 Hahn D06F 75/10
38/77.8
2010/0166396 A1 * 7/2010 Xu D06F 73/00
392/394
2014/0345334 A1 * 11/2014 Chua D06F 75/00
68/5 B
2016/0053430 A1 * 2/2016 Chua D06F 87/00
68/5 A
2016/0160434 A1 * 6/2016 Chua D06F 87/00
68/5 A
2016/0194816 A1 * 7/2016 Chua D06F 75/38
68/222

* cited by examiner

Primary Examiner — Manpreet S Matharu

Assistant Examiner — Yolanda Robinson

(74) *Attorney, Agent, or Firm* — Loeb & Loeb LLP

(57) **CLAIM**

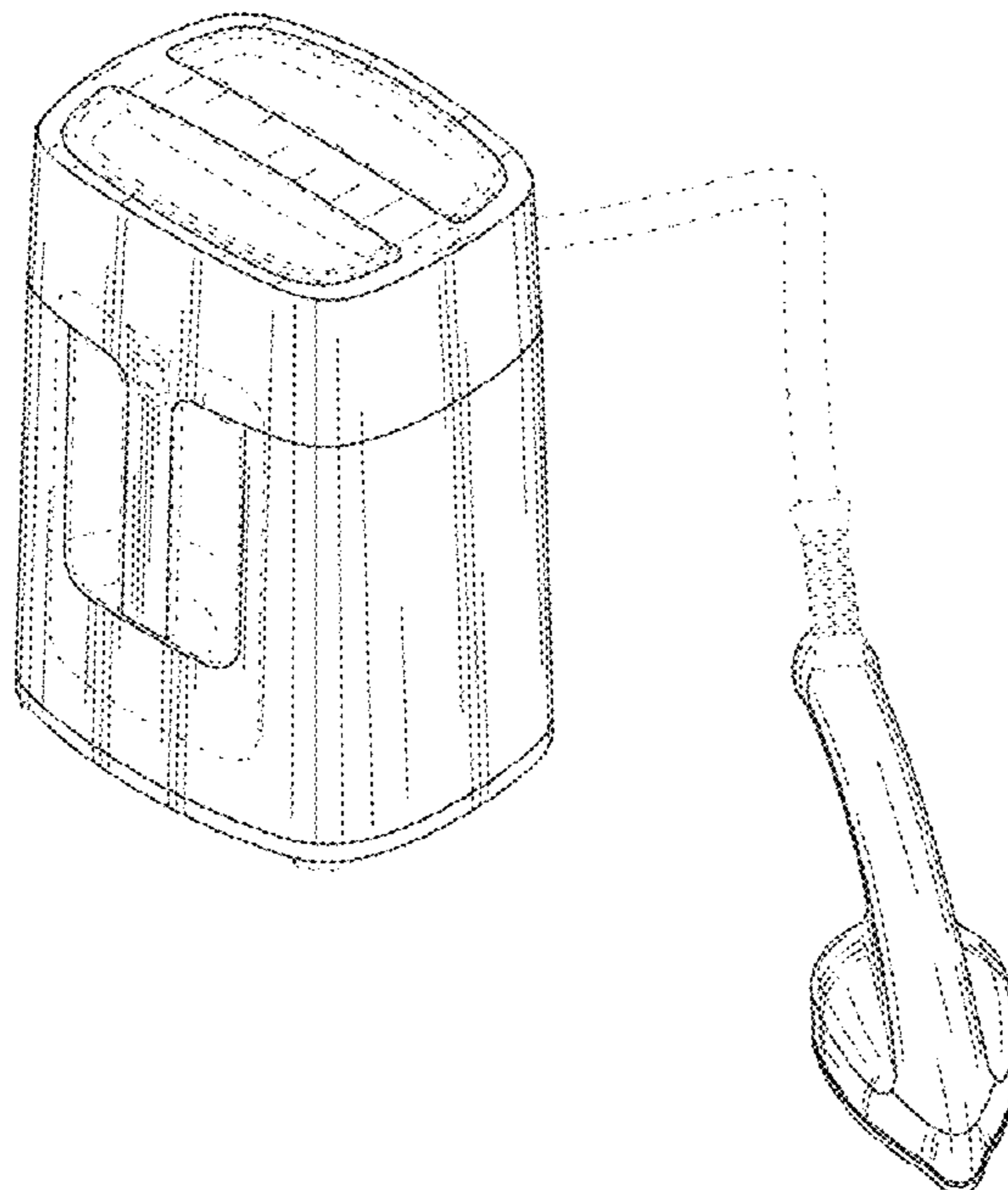
The ornamental design for a steamer apparatus, as shown and described.

DESCRIPTION

FIG. 1 is a perspective view of a steamer apparatus showing my new design;
FIG. 2 is a front elevational view thereof;
FIG. 3 is a rear elevational view thereof;
FIG. 4 is a right side elevational view thereof;
FIG. 5 is a left side elevational view thereof;
FIG. 6 is a top view thereof; and,
FIG. 7 is a bottom view thereof.

The broken lines shown in the figure drawings depict portions of the steamer apparatus that form no part of the claimed design. The dot dash lines in the figure drawings indicate the bounds of the claimed subject matter and forms no part thereof.

1 Claim, 7 Drawing Sheets



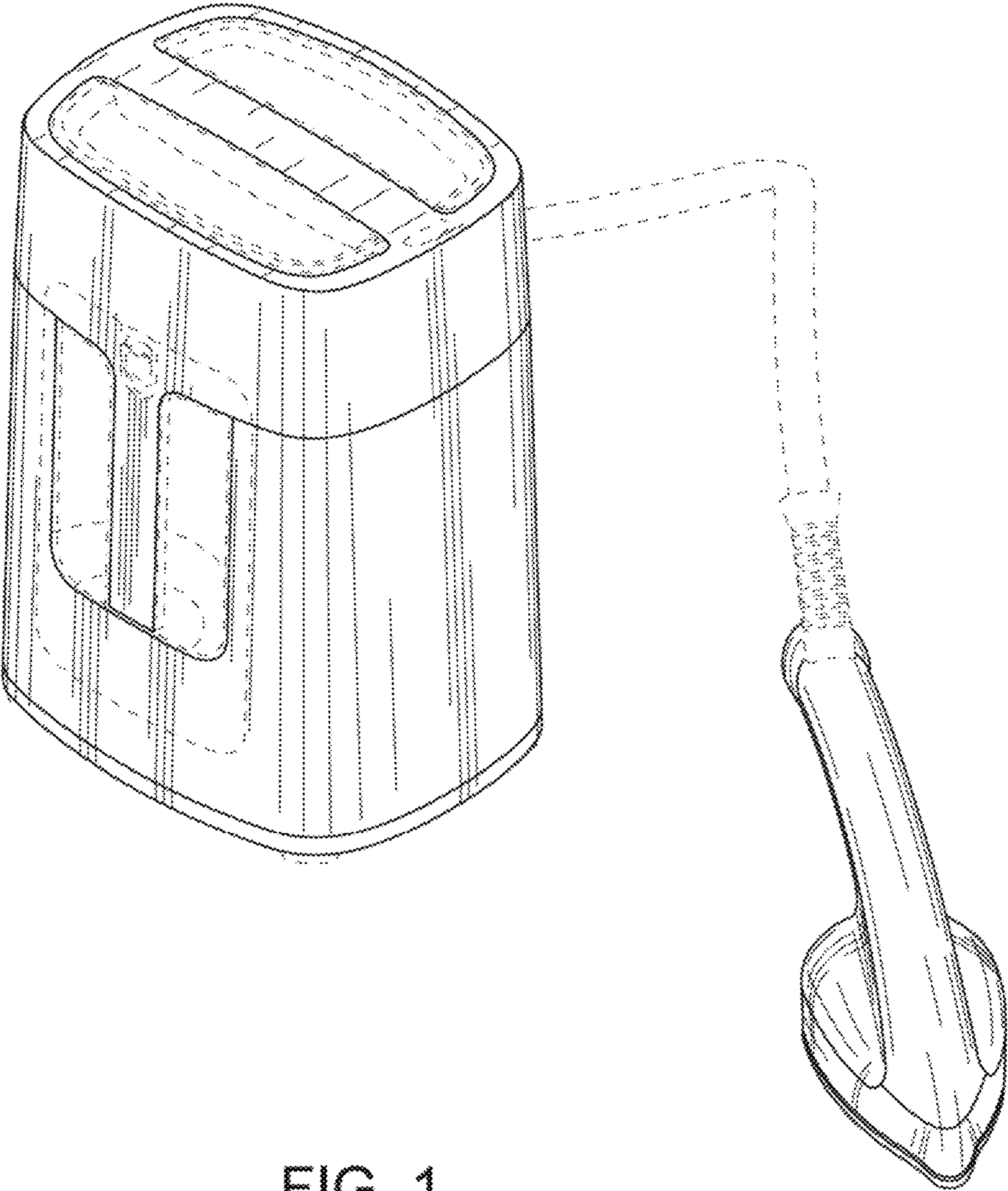


FIG. 1

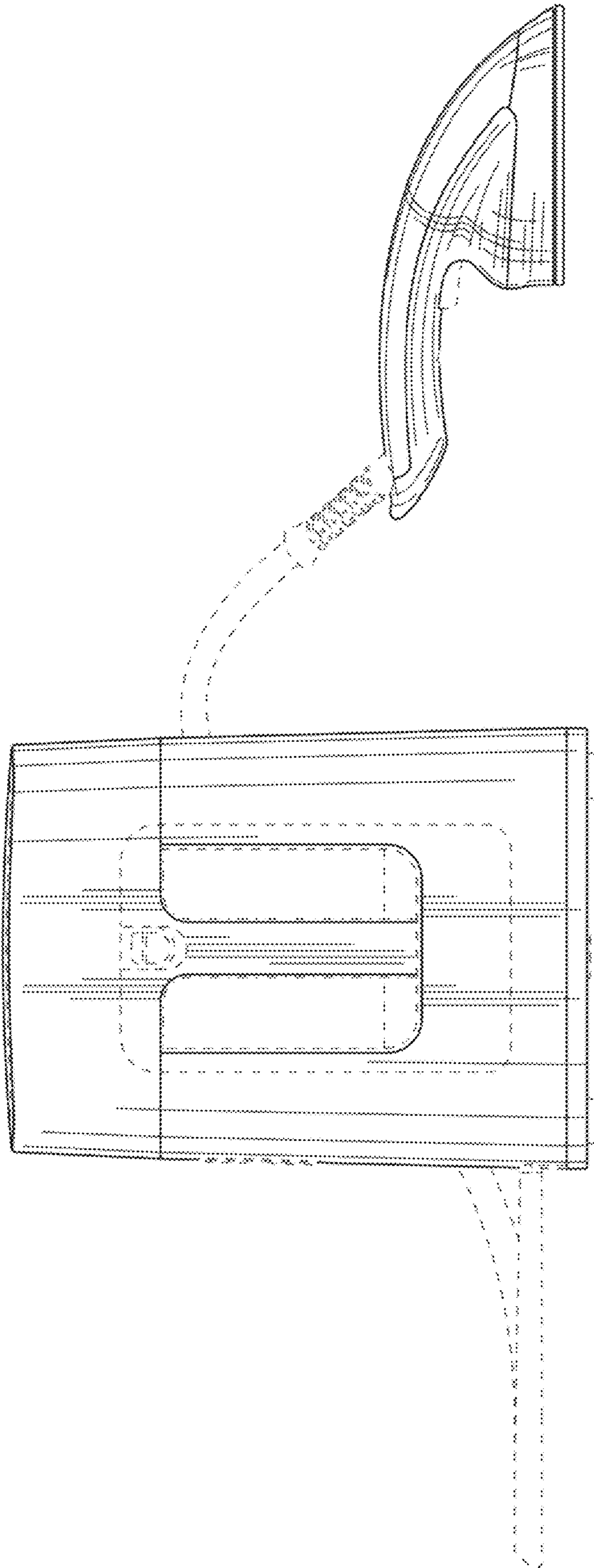


FIG. 2

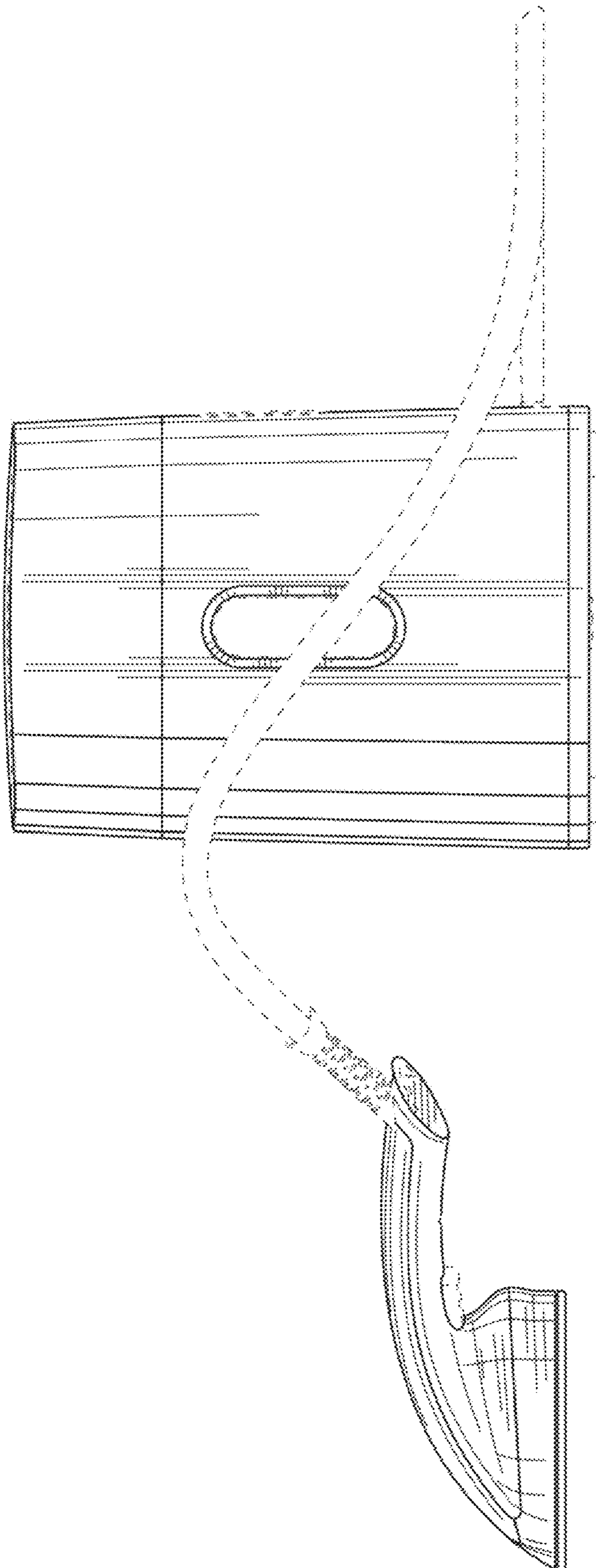


FIG. 3

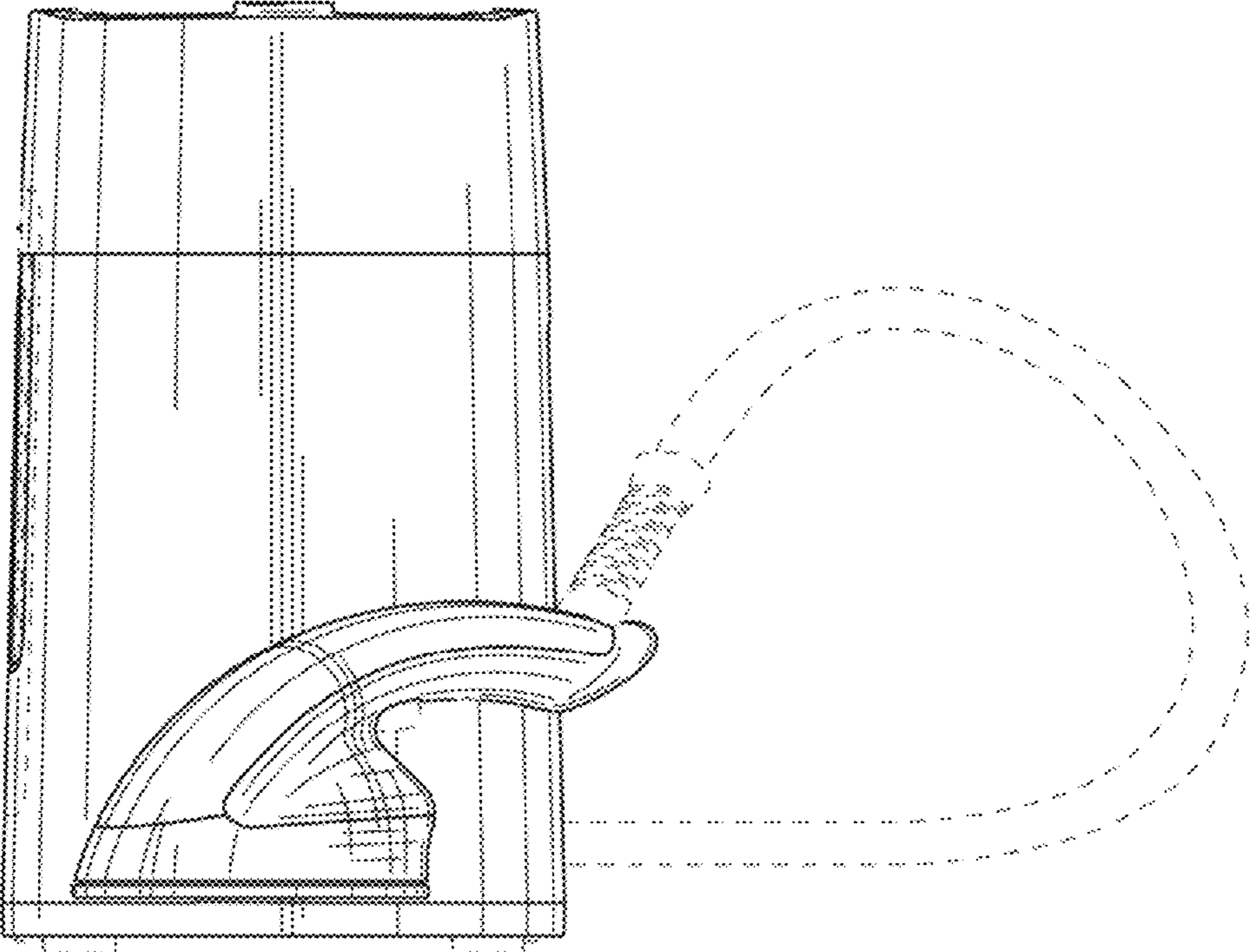


FIG. 4

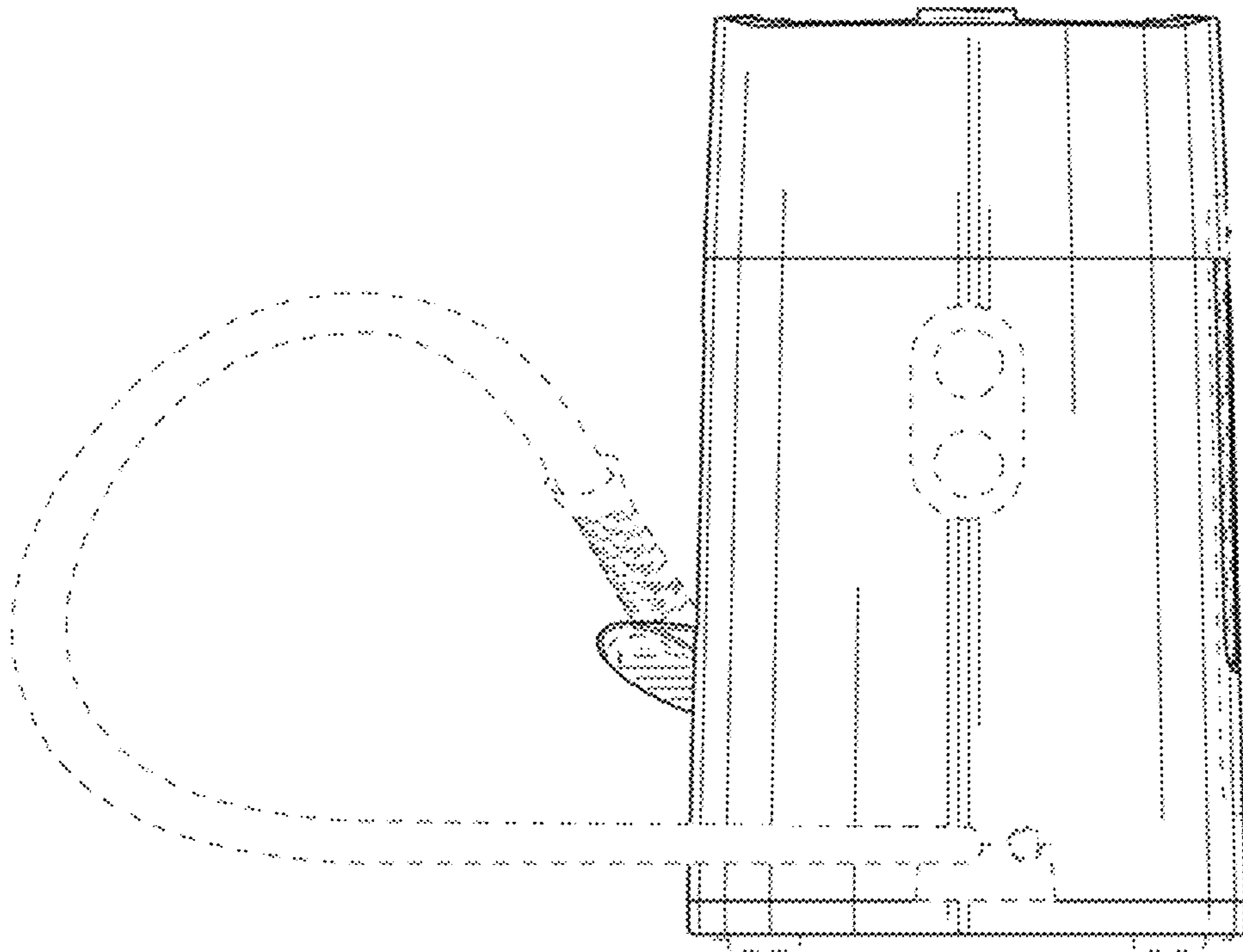


FIG. 5

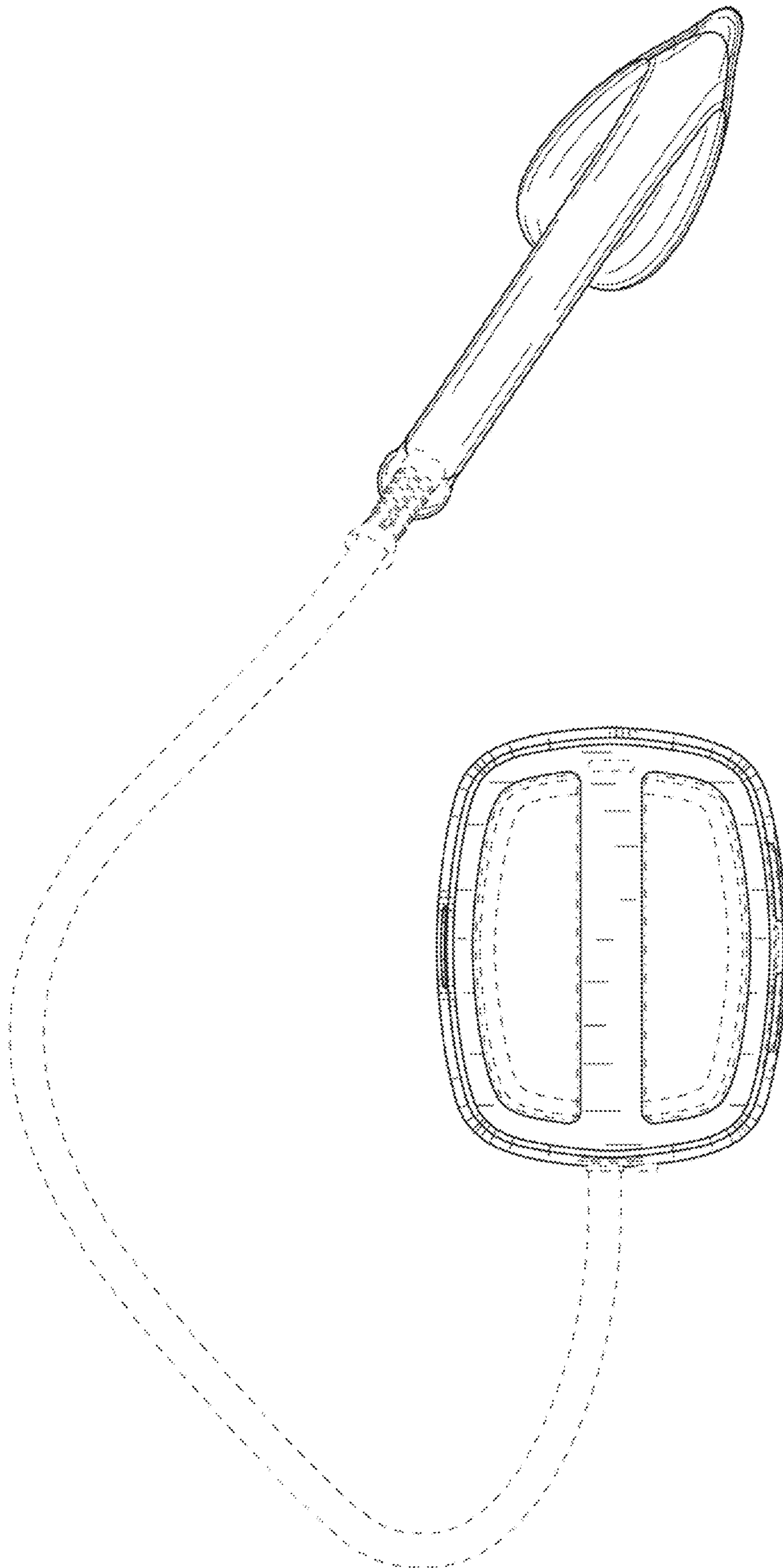


FIG. 6

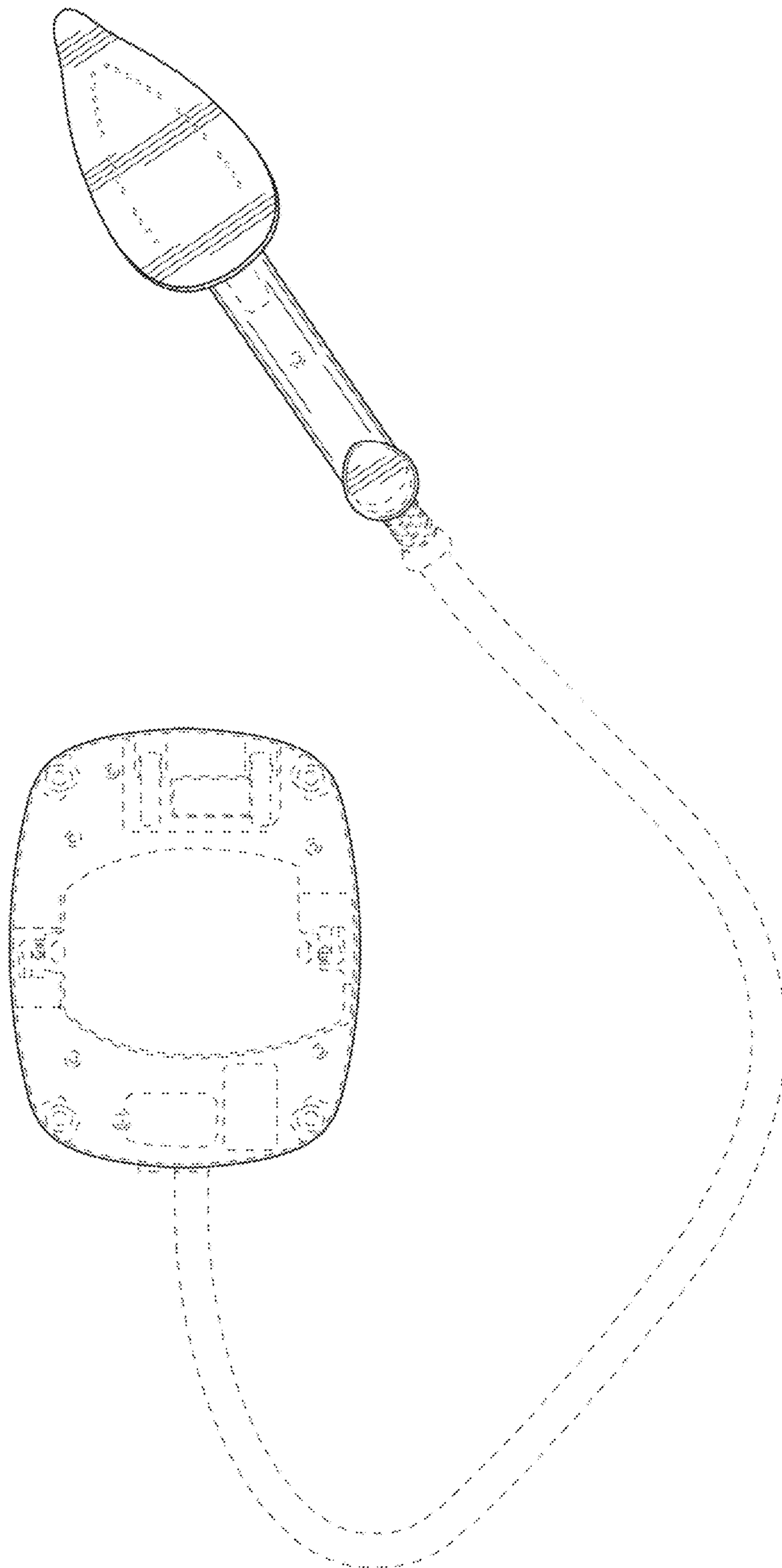


FIG. 7