



US00D894505S

(12) **United States Design Patent**
Yang

(10) **Patent No.:** **US D894,505 S**

(45) **Date of Patent:** **** Aug. 25, 2020**

(54) **PRESSURE WASHER**

(71) Applicant: **Changzhou Globe Co., Ltd.,**
Changzhou, Jiangsu (CN)

(72) Inventor: **Longfei Yang,** Changzhou (CN)

(73) Assignee: **Changzhou Globe Co., Ltd.,**
Changzhou, Jiangsu (CN)

(**) Term: **15 Years**

(21) Appl. No.: **29/644,505**

(22) Filed: **Apr. 18, 2018**

(30) **Foreign Application Priority Data**

Oct. 18, 2017 (CN) 2017 3 0496699
Oct. 18, 2017 (CN) 2017 3 0497084

(51) **LOC (12) Cl.** **15-05**

(52) **U.S. Cl.**
USPC **D32/15**

(58) **Field of Classification Search**
USPC D32/1, 4, 15-18, 21; D23/223, 225, 226
CPC B05B 7/32; B05B 7/0876; B05B 1/12;
B05B 7/005; B05B 1/1654; B08B 3/026;
F04F 5/00; F04B 17/05
See application file for complete search history.

(56) **References Cited**

U.S. PATENT DOCUMENTS

D568,557 S * 5/2008 Alexander D32/15
D570,060 S * 5/2008 Renner D32/15
D646,853 S * 10/2011 Alexander D32/15
D647,256 S * 10/2011 Alexander D32/15
D647,257 S * 10/2011 Alexander D32/15
D647,258 S * 10/2011 Alexander D32/15
D647,672 S * 10/2011 Alexander D32/15
D648,081 S * 11/2011 Alexander D32/15
D648,493 S * 11/2011 Alexander D32/15
D660,525 S * 5/2012 Alexander D32/15

D661,438 S * 6/2012 Alexander D32/15
D675,794 S * 2/2013 Chen D32/15
D694,968 S * 12/2013 Dammkoehler D32/15
D696,824 S * 12/2013 Dammkoehler D32/15
D711,603 S * 8/2014 Alenxander D32/16
D728,872 S * 5/2015 Alexander D32/15
D729,468 S * 5/2015 Dammkoehler D32/15

(Continued)

Primary Examiner — Michelle E. Wilson

(74) *Attorney, Agent, or Firm* — Dorton & Willis, LLP

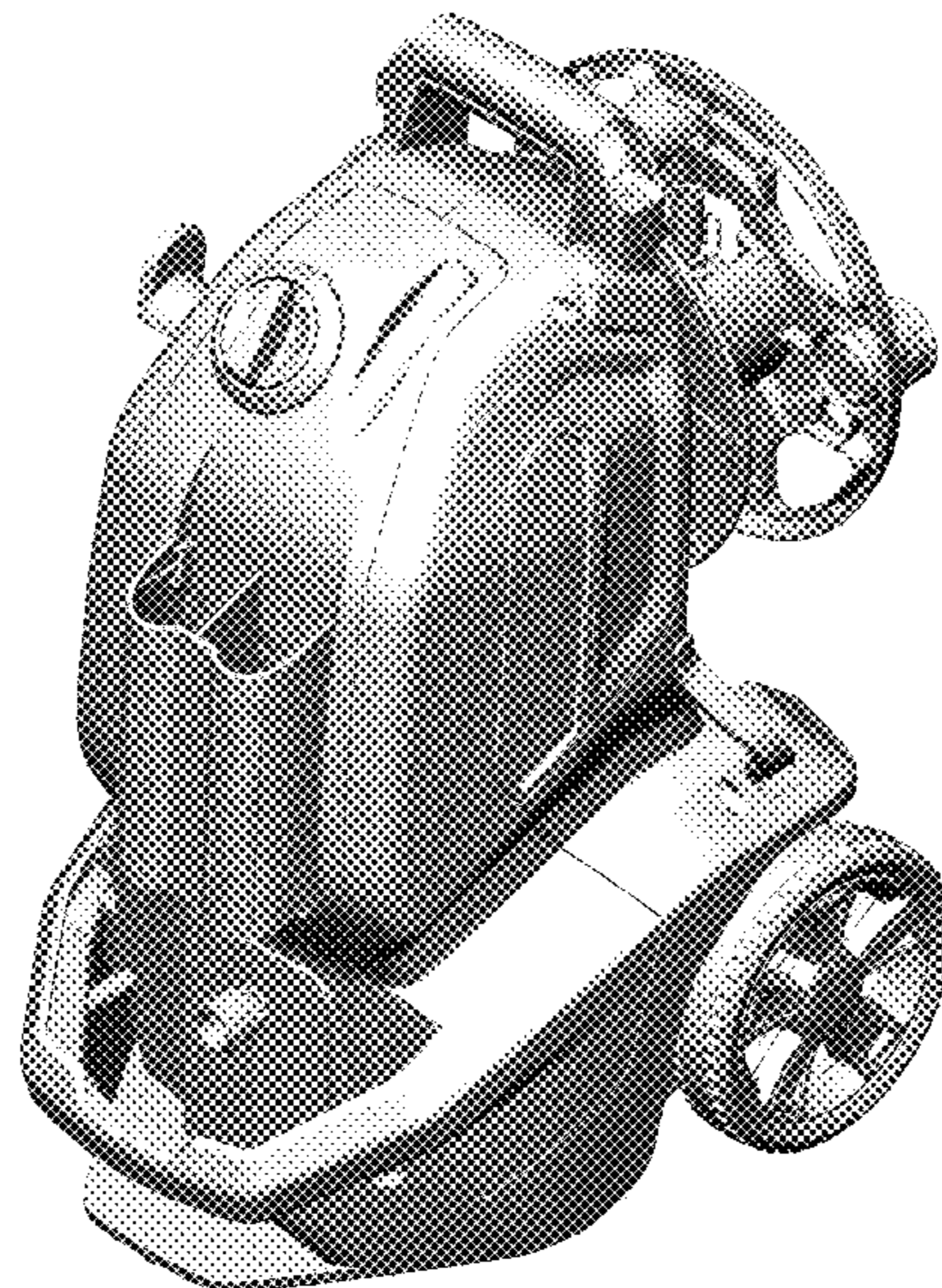
(57) **CLAIM**

The ornamental design for a pressure washer, therefor as shown and described.

DESCRIPTION

FIG. 1 is a front right perspective view of the pressure washer according to a first embodiment of the invention.
FIG. 2 is a front left perspective view of the pressure washer according to a first embodiment of the invention.
FIG. 3 is a rear left perspective view of the pressure washer according to a first embodiment of the invention.
FIG. 4 is a rear right perspective view of the pressure washer according to a first embodiment of the invention.
FIG. 5 is a front view of the pressure washer according to a first embodiment of the invention.
FIG. 6 is a rear side view of the pressure washer according to a first embodiment of the invention.
FIG. 7 is a left side view of the pressure washer according to a first embodiment of the invention.
FIG. 8 is a right side view of the pressure washer according to a first embodiment of the invention.
FIG. 9 is a top view of the pressure washer according to a first embodiment of the invention; and,
FIG. 10 is a bottom view of the pressure washer according to a first embodiment of the invention.
Any elements shown in broken lines in the Figures form no part of the claimed invention, and are instead included to show environmental aspects of the claimed invention.

1 Claim, 10 Drawing Sheets



(56)

References Cited

U.S. PATENT DOCUMENTS

D737,528	S	*	8/2015	Dammkoehler	D32/25
D739,099	S	*	9/2015	Tatic	D32/15
D739,100	S	*	9/2015	Tatic	D32/15
D743,643	S	*	11/2015	Casey	D32/15
D781,009	S	*	3/2017	Meyer	D32/16
D781,010	S	*	3/2017	Meyer	D32/16
D781,511	S	*	3/2017	Meyer	D32/16
2005/0189437	A1	*	9/2005	Alexander	B08B 3/026 239/332
2008/0245425	A1	*	10/2008	Alexander	B08B 3/026 137/565.13

* cited by examiner

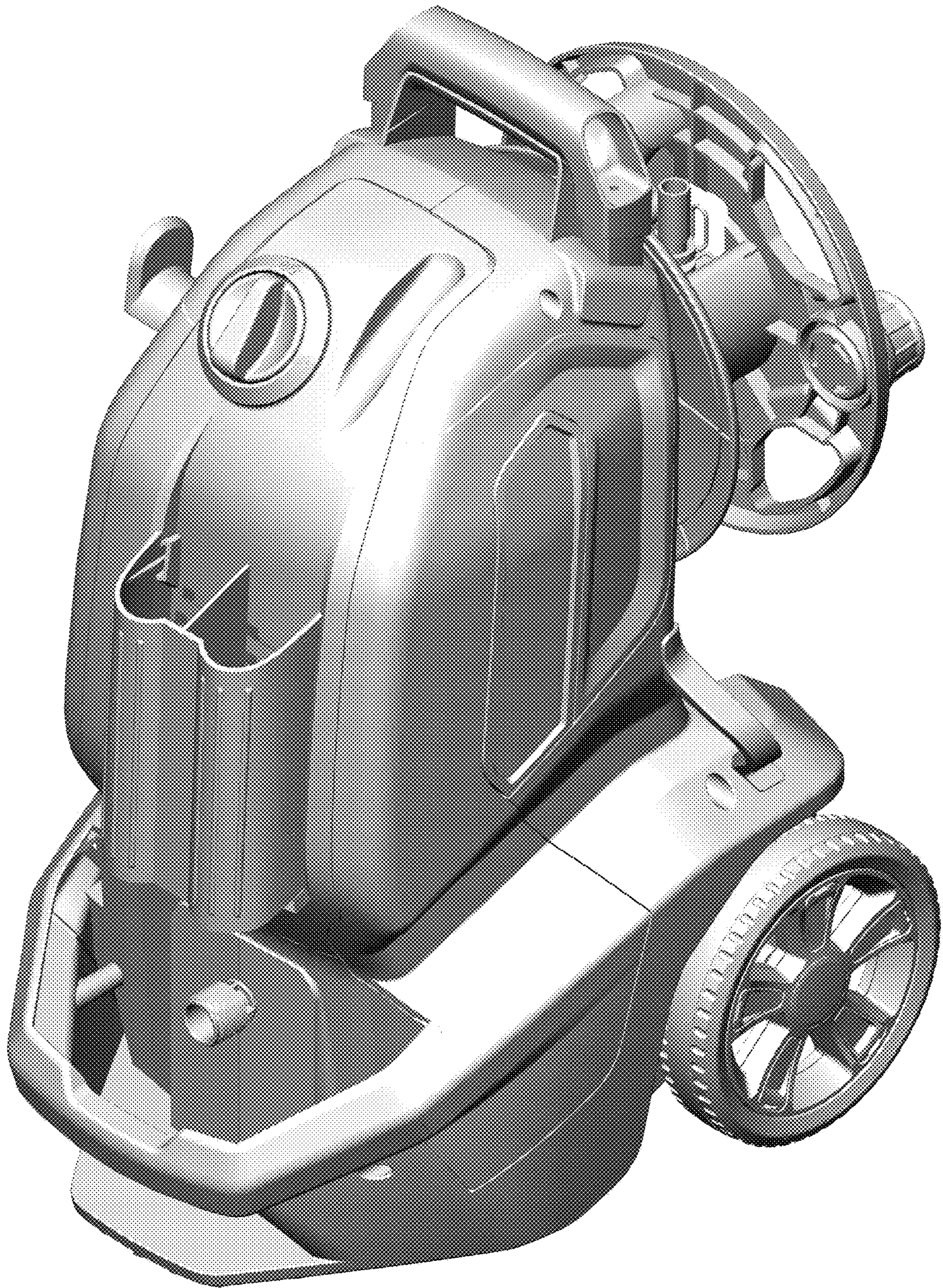


FIG. 1

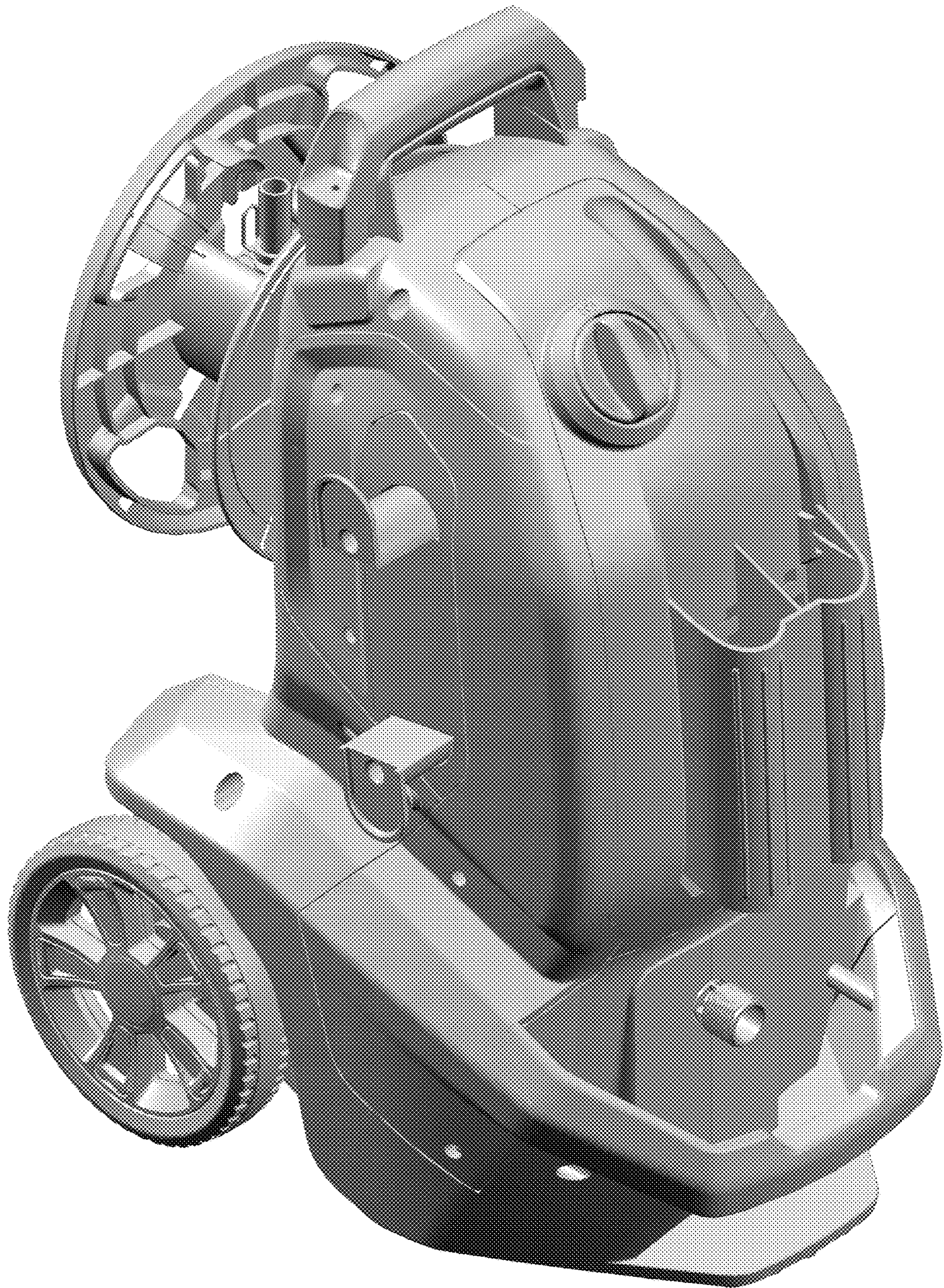


FIG. 2

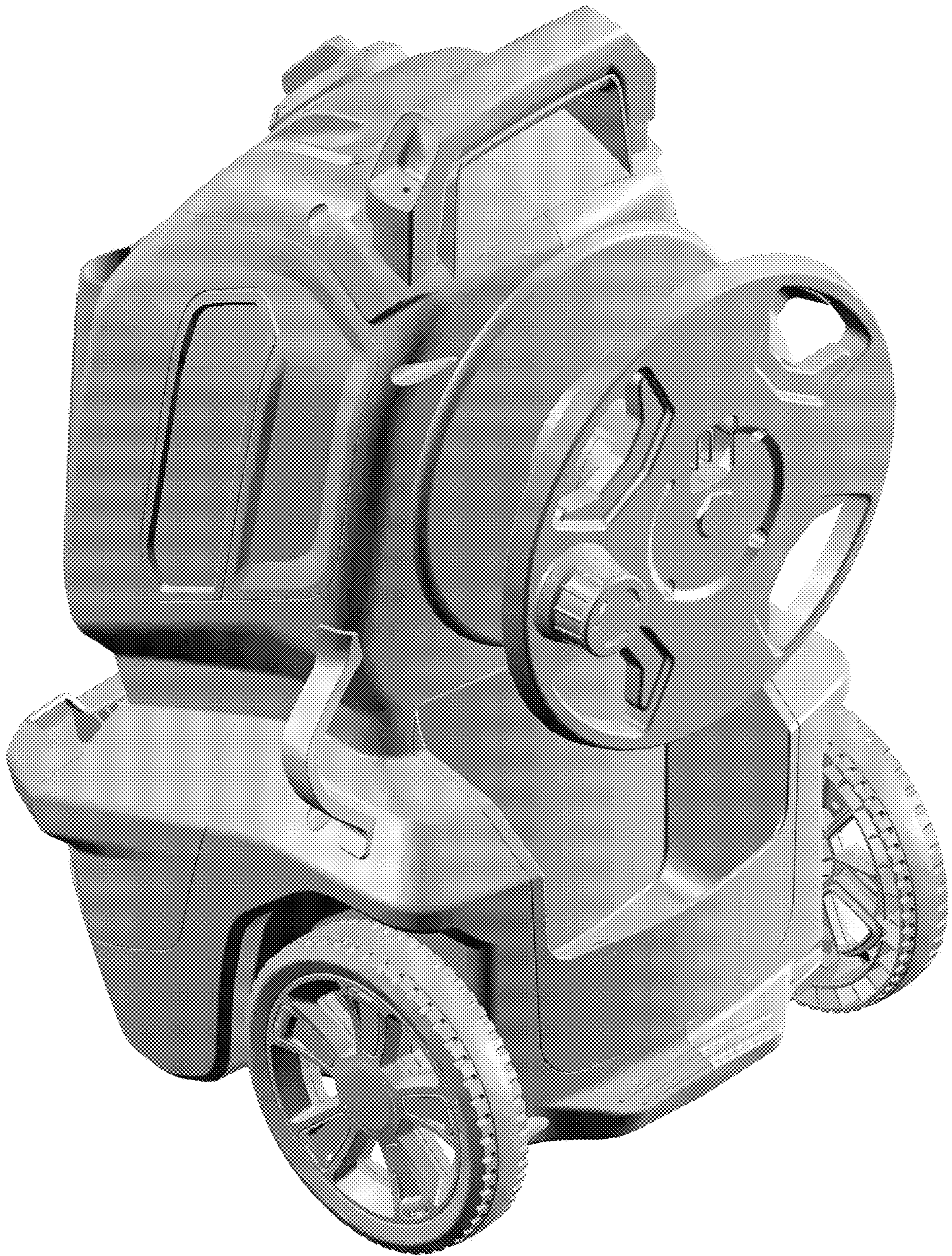


FIG. 3

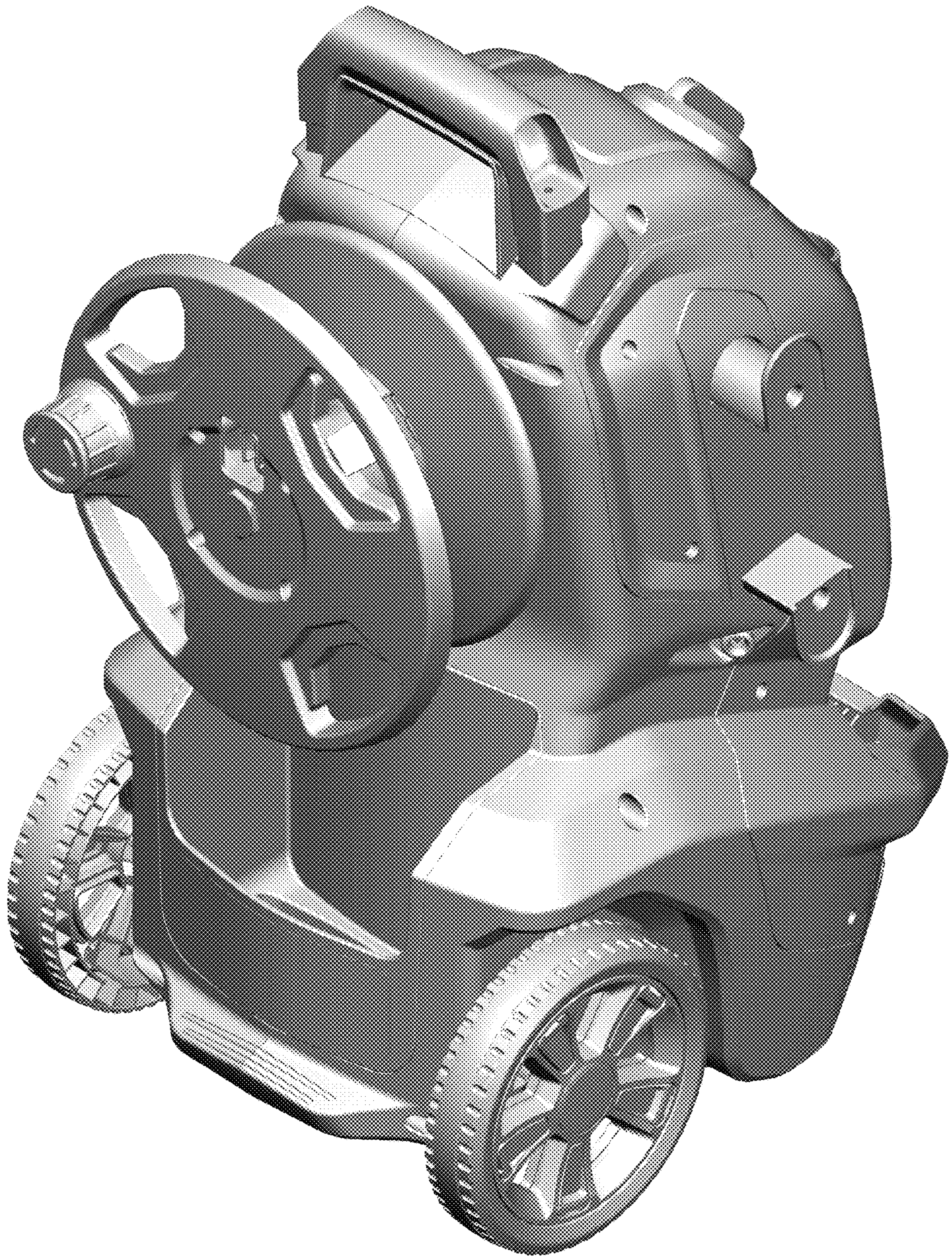


FIG. 4



FIG. 5

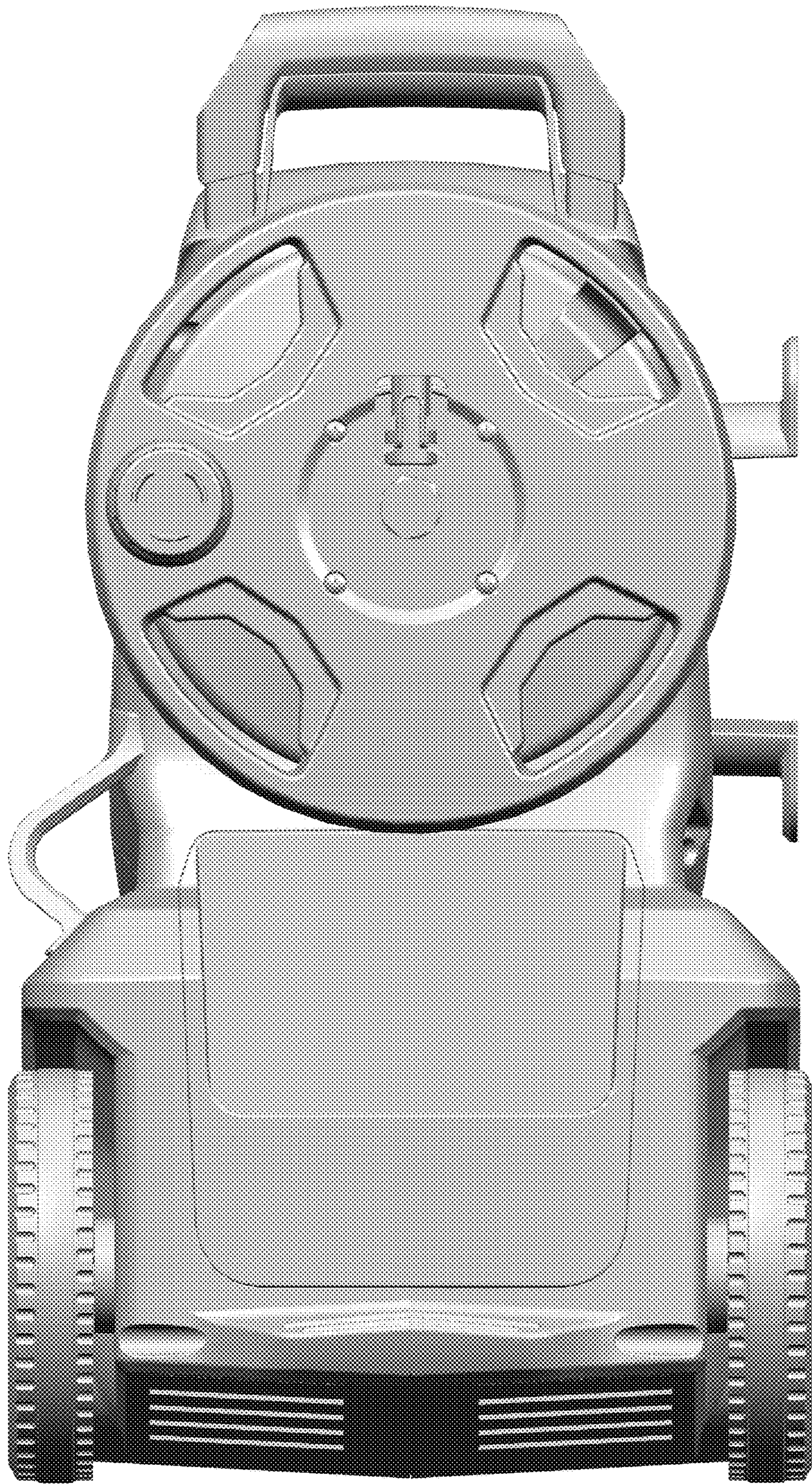


FIG. 6

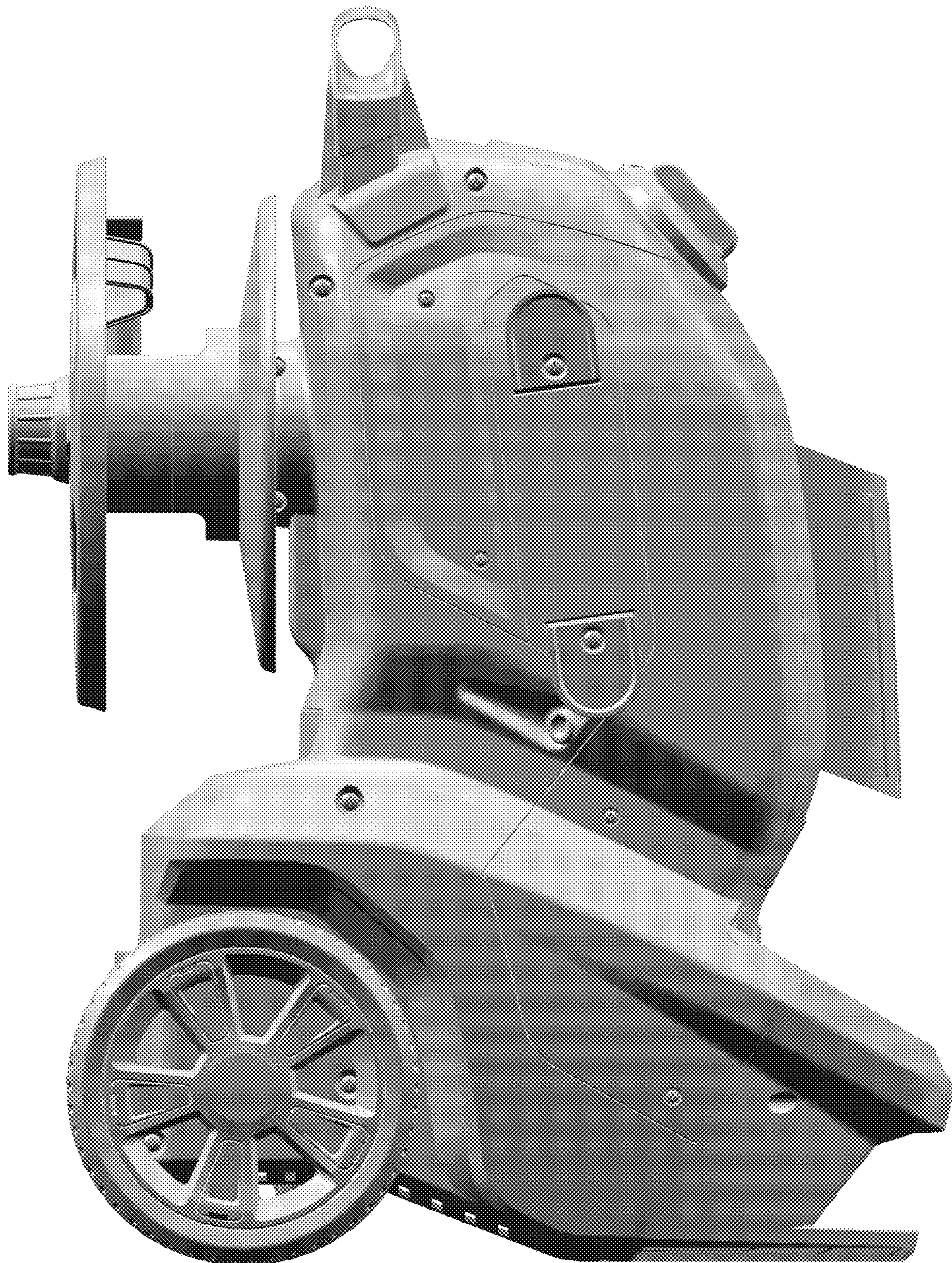


FIG. 7

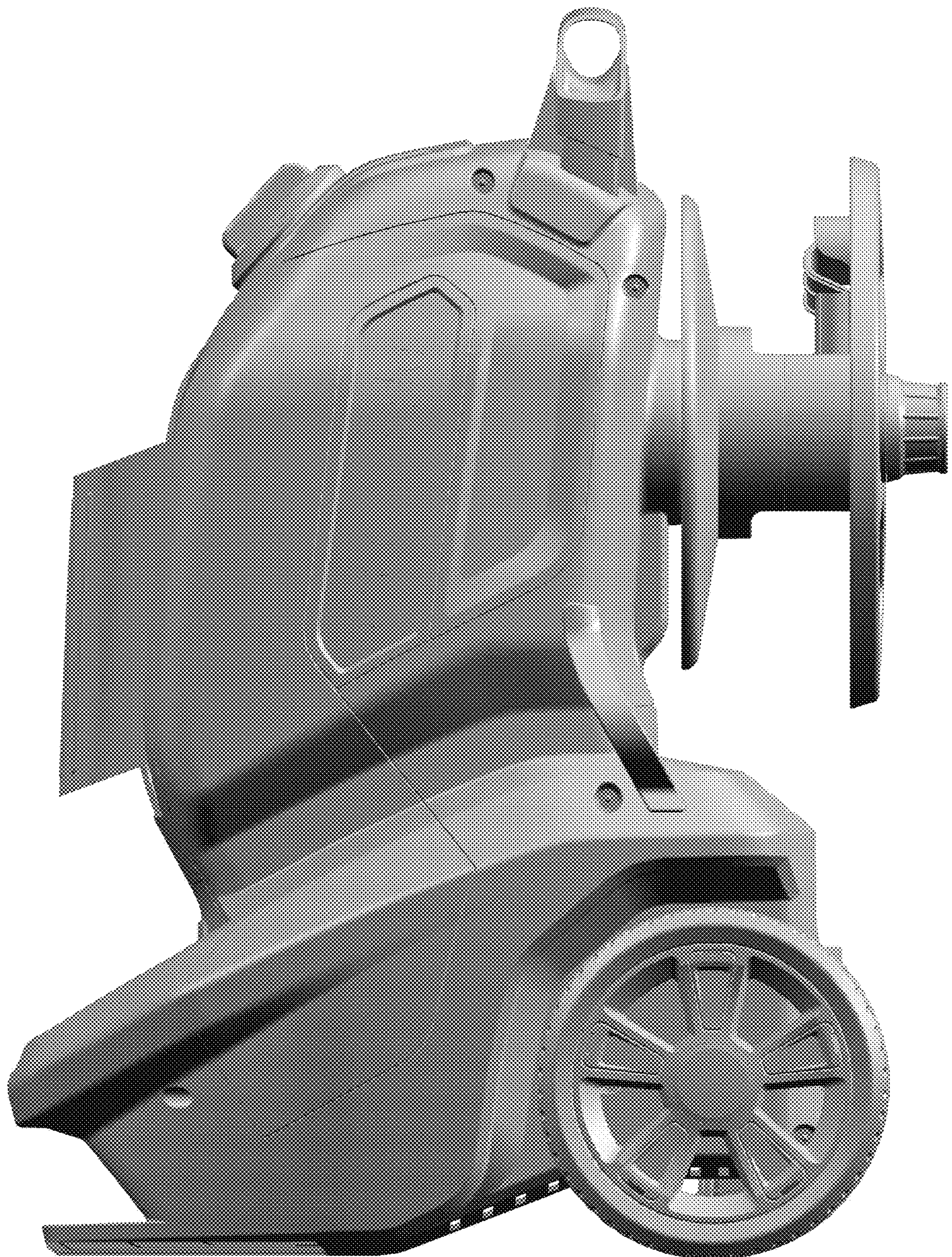


FIG. 8

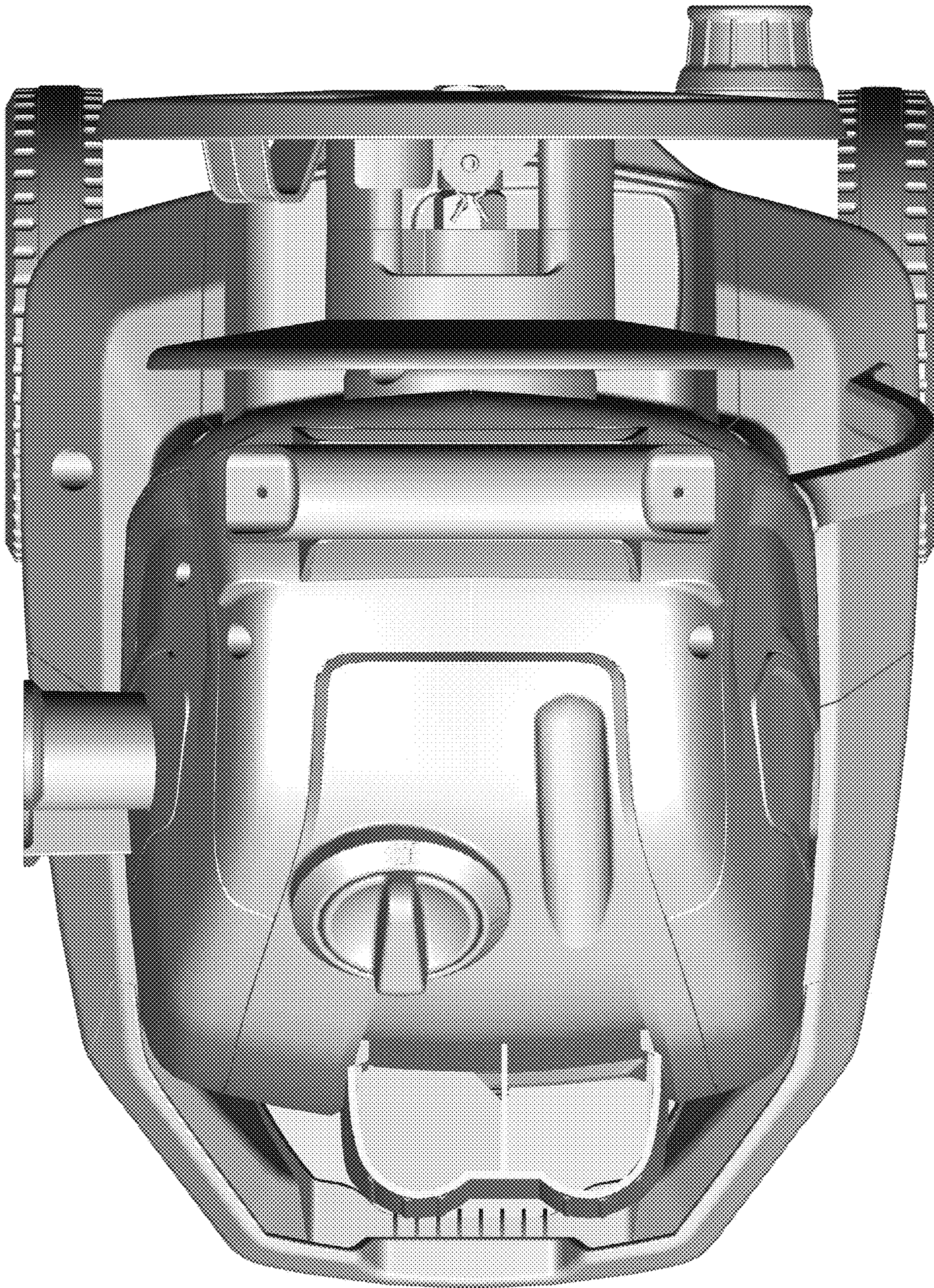


FIG. 9

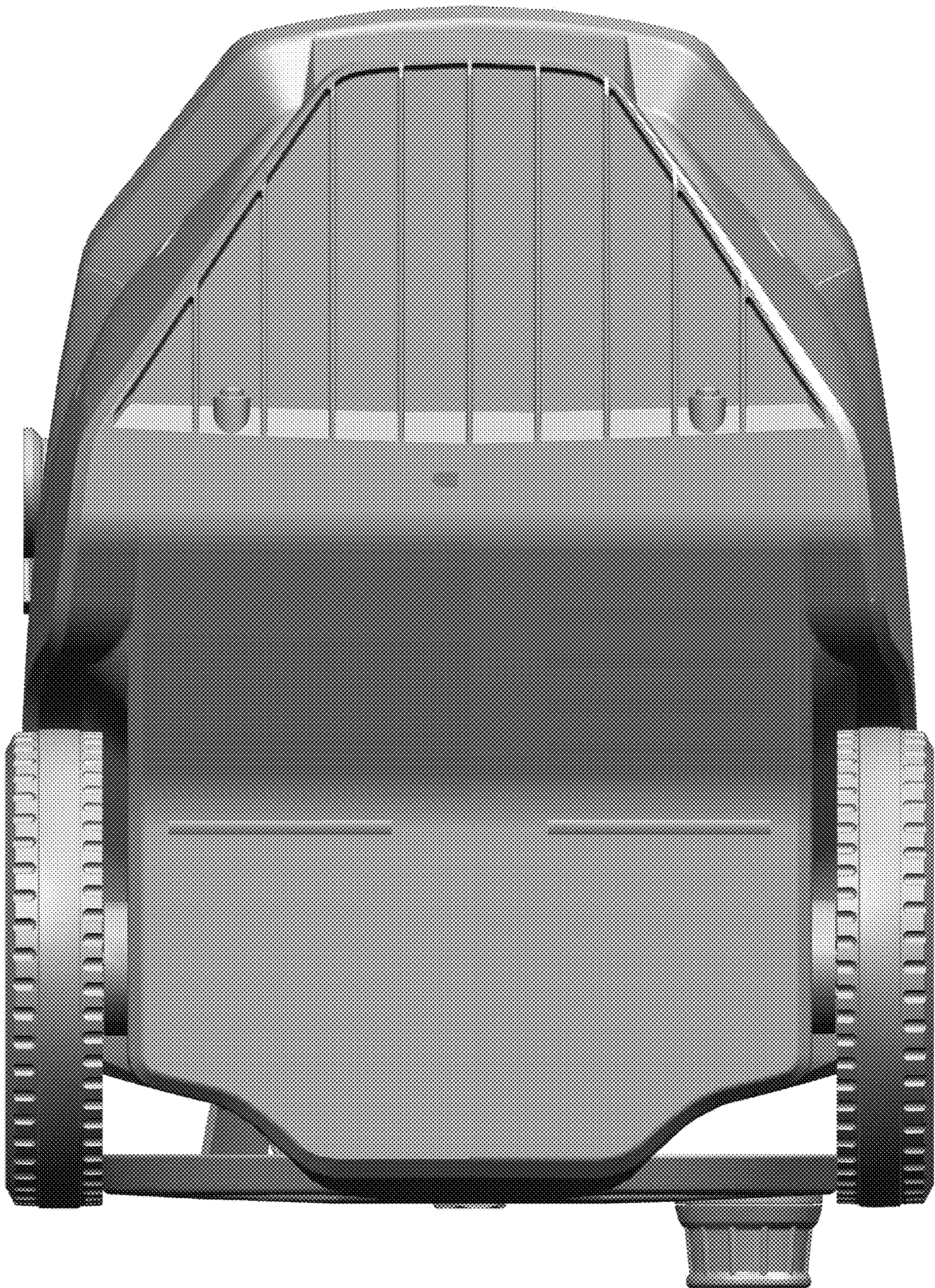


FIG. 10