



US00D894504S

(12) **United States Design Patent** (10) **Patent No.:** **US D894,504 S**
Ryan (45) **Date of Patent:** **** Aug. 25, 2020**

(54) **CAT SCRATCHER**
(71) Applicant: **Wiski LLC**, Westport, CT (US)
(72) Inventor: **Evan L. Ryan**, Highland Park, IL (US)
(73) Assignee: **Wiski LLC**, Westport, CT (US)
(**) Term: **15 Years**
(21) Appl. No.: **29/640,683**
(22) Filed: **Mar. 16, 2018**
(51) **LOC (12) Cl.** **30-99**
(52) **U.S. Cl.**
USPC **D30/160**
(58) **Field of Classification Search**
USPC D30/161, 124-128, 108-120, 158-160
CPC A01K 1/011; A01K 1/0107; A01K 1/0125;
A01K 1/0121; A47K 11/02; A47K 11/06;
A47K 13/00; A47K 13/06; A47K 13/14
See application file for complete search history.

D644,795 S * 9/2011 Haaf D30/160
D651,371 S * 12/2011 Seliskar D30/118
D652,182 S * 1/2012 Seliskar D30/118
D655,463 S * 3/2012 Seliskar D30/118
D655,464 S * 3/2012 Seliskar D30/118
8,561,575 B2 10/2013 Ruffin et al.
8,678,393 B2 3/2014 Reed et al.
D738,580 S 9/2015 Elliot et al.
D864,612 S * 10/2019 Castellano D6/601
2006/0157938 A1 7/2006 Box et al.
2010/0006037 A1 1/2010 Salzman
2012/0090552 A1 4/2012 Haaf
2014/0014043 A1 1/2014 McCann
2015/0107520 A1 4/2015 Durnen

* cited by examiner

Primary Examiner — Sheryl Lane
Assistant Examiner — Aula Soroush
(74) *Attorney, Agent, or Firm* — Zollinger & Burleson Ltd.

(57) **CLAIM**

The ornamental design for a cat scratcher, as shown and described.

DESCRIPTION

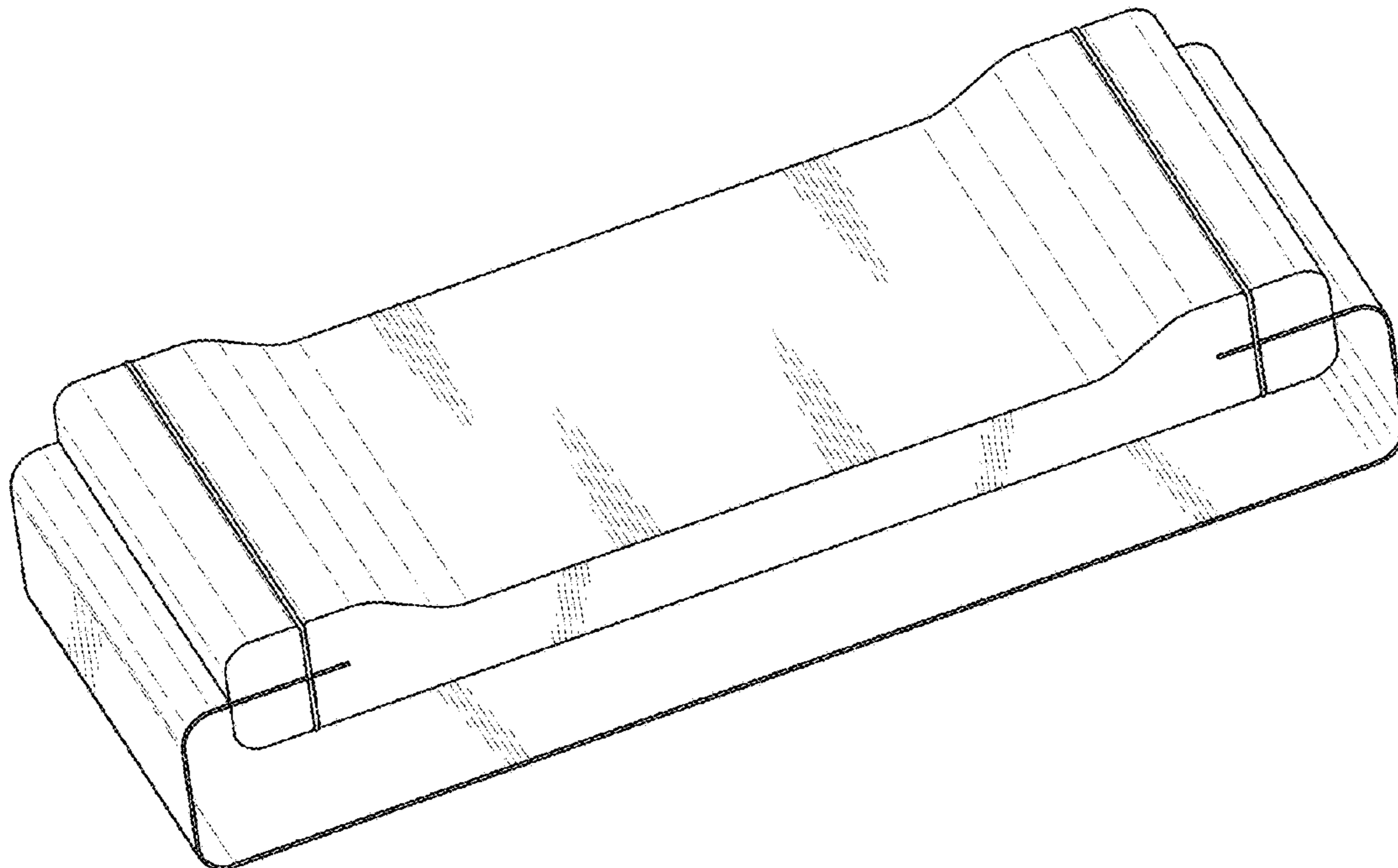
FIG. 1 is a perspective view of a cat scratcher showing my new design.
FIG. 2 is a front elevation view thereof.
FIG. 3 is a top plan view of thereof.
FIG. 4 is a left side elevation view thereof.
FIG. 5 is a right side elevation view thereof.
FIG. 6 is a rear elevation view thereof; and,
FIG. 7 is a bottom plan view thereof.
The features depicted in broken lines form no part of the claimed design.

1 Claim, 4 Drawing Sheets

(56) **References Cited**

U.S. PATENT DOCUMENTS

3,486,485 A 12/1969 Kahanick
3,993,027 A 11/1976 Mullin
5,269,261 A 12/1993 McCance
5,842,440 A 12/1998 Bell, Jr.
5,875,737 A 3/1999 Boshears
D466,749 S * 12/2002 O'Quinn D6/601
7,011,043 B2 3/2006 Diep
7,117,821 B2 10/2006 Novak
D589,657 S * 3/2009 Lamstein D30/118
7,565,884 B2 7/2009 Lamstein et al.
7,647,893 B2 1/2010 Kraus
7,765,956 B2 8/2010 Lamstein
D627,110 S * 11/2010 Seliskar D30/160



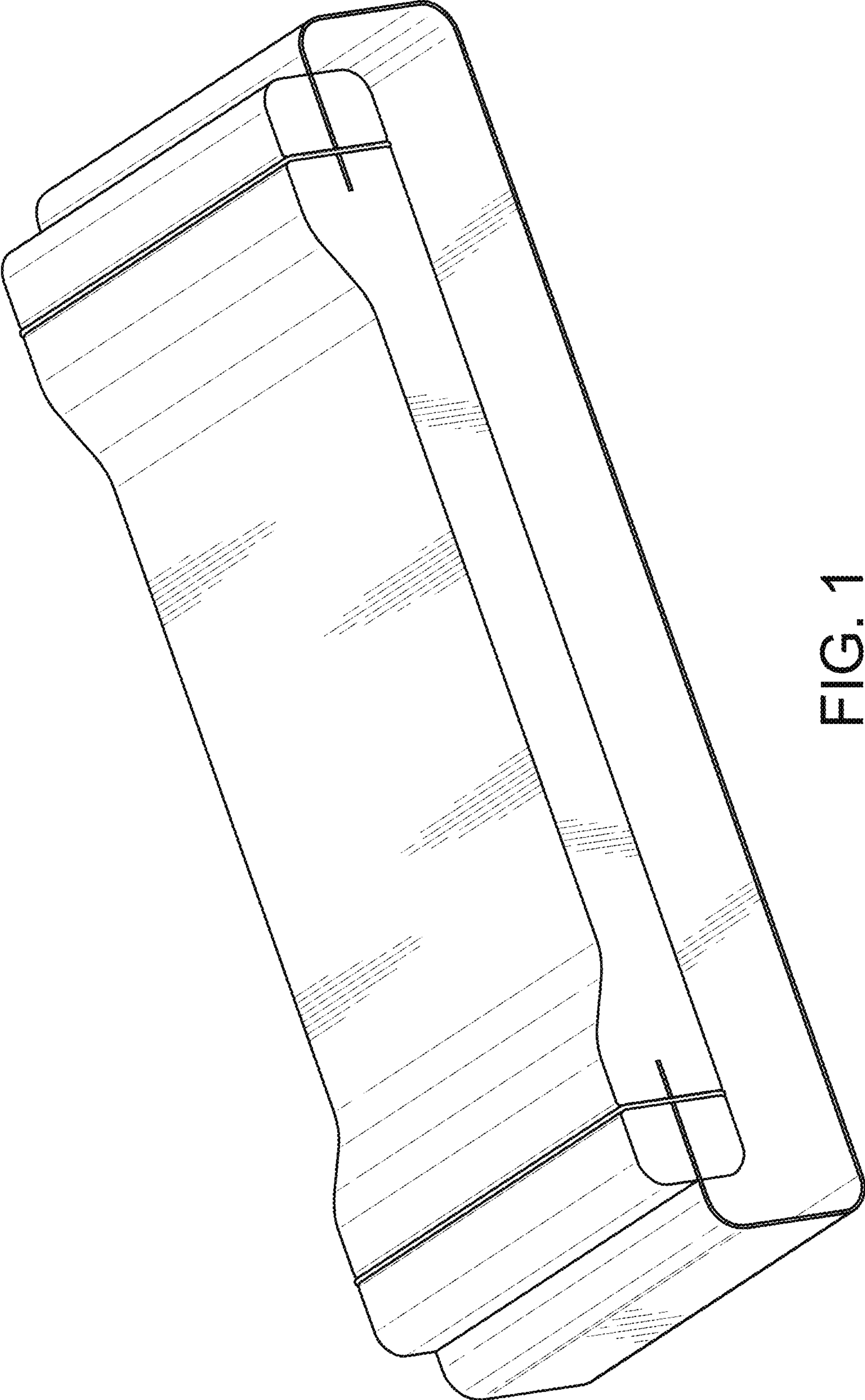


FIG. 1

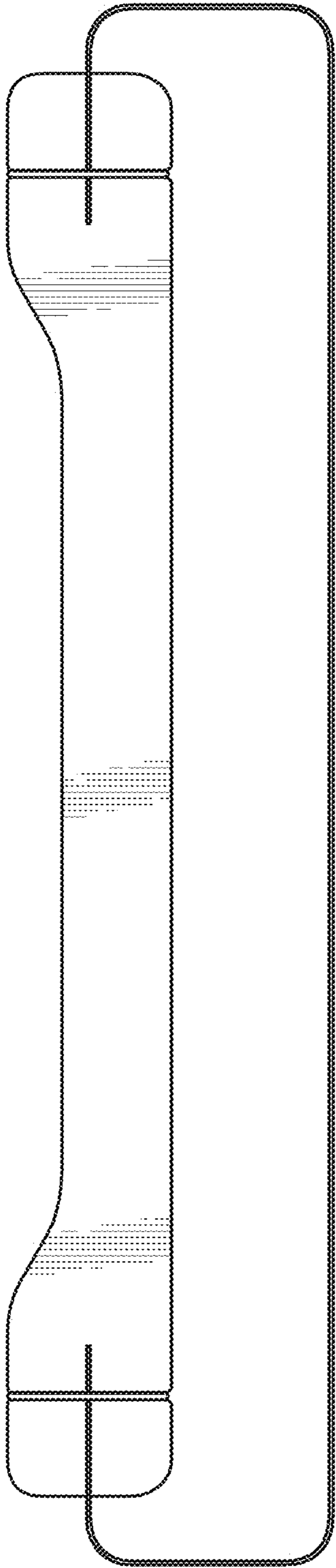


FIG. 2

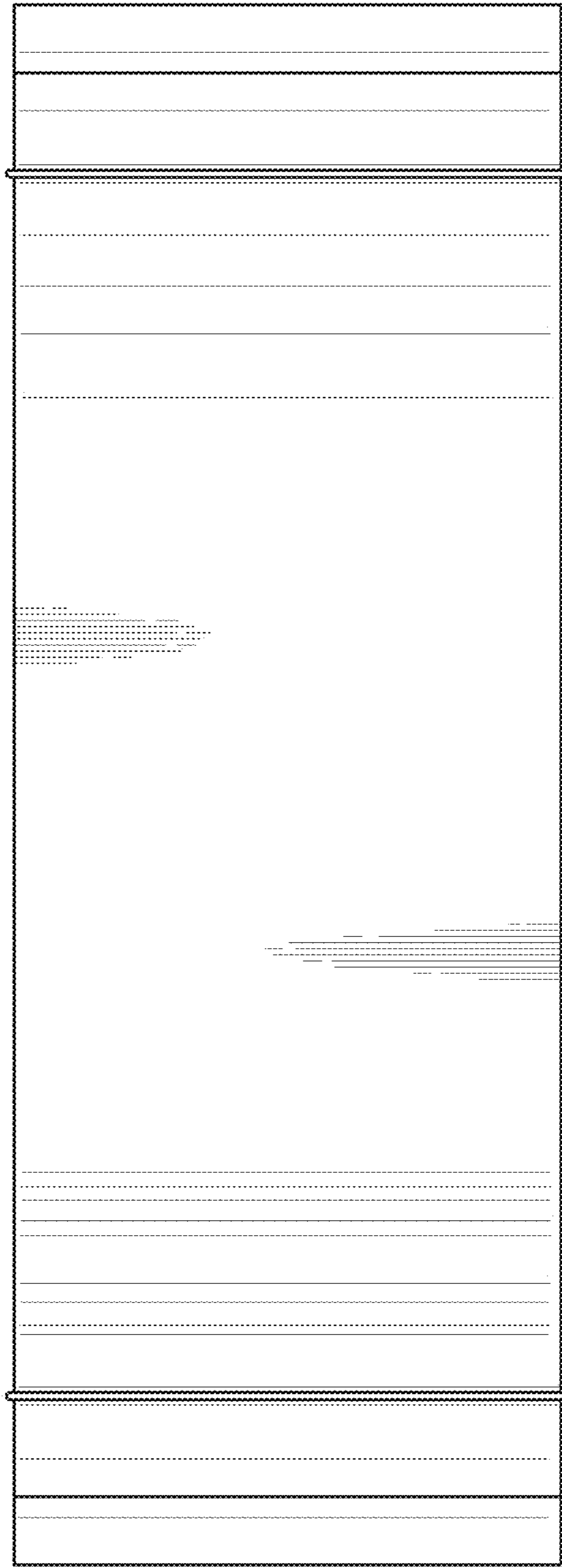


FIG. 3

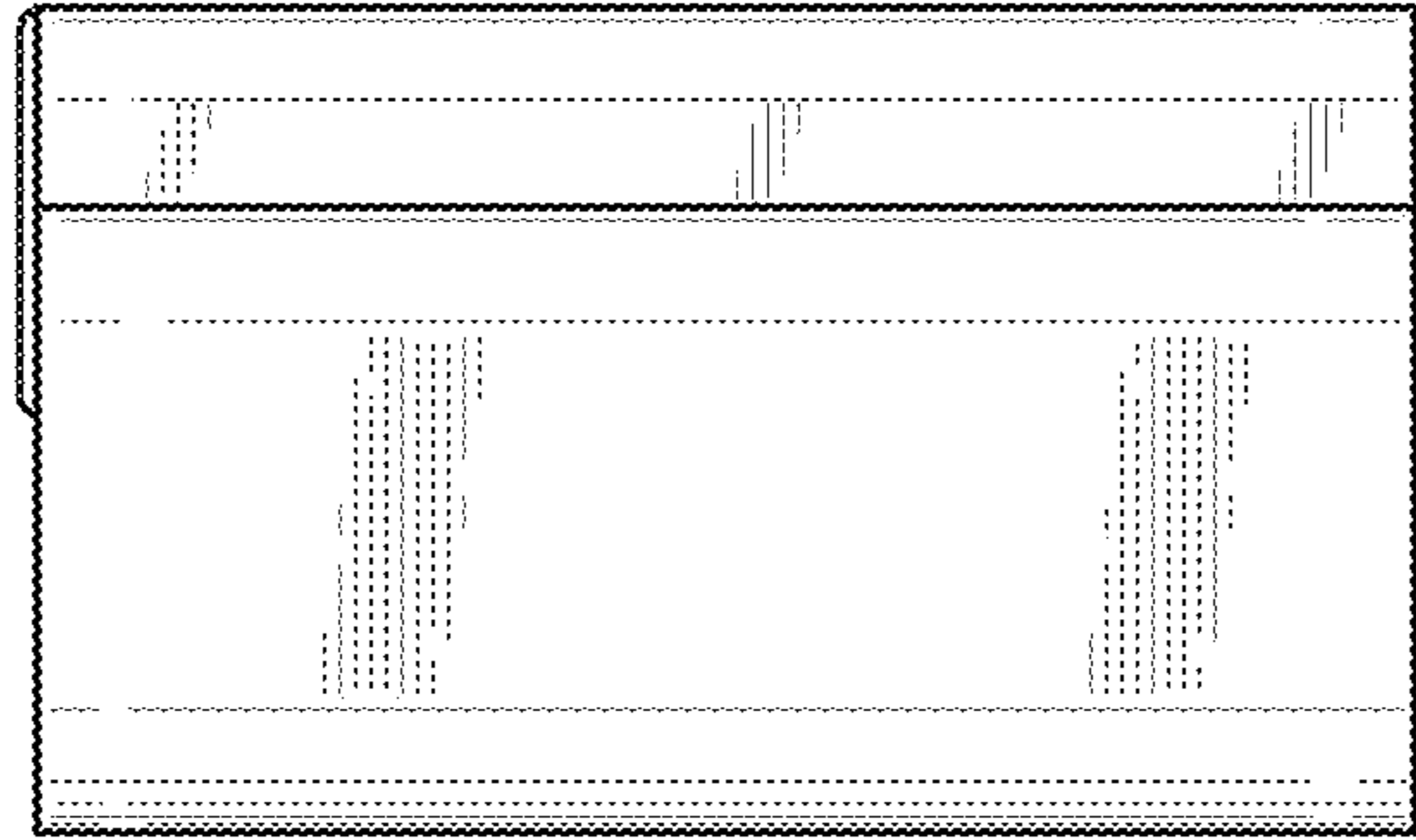


FIG. 4

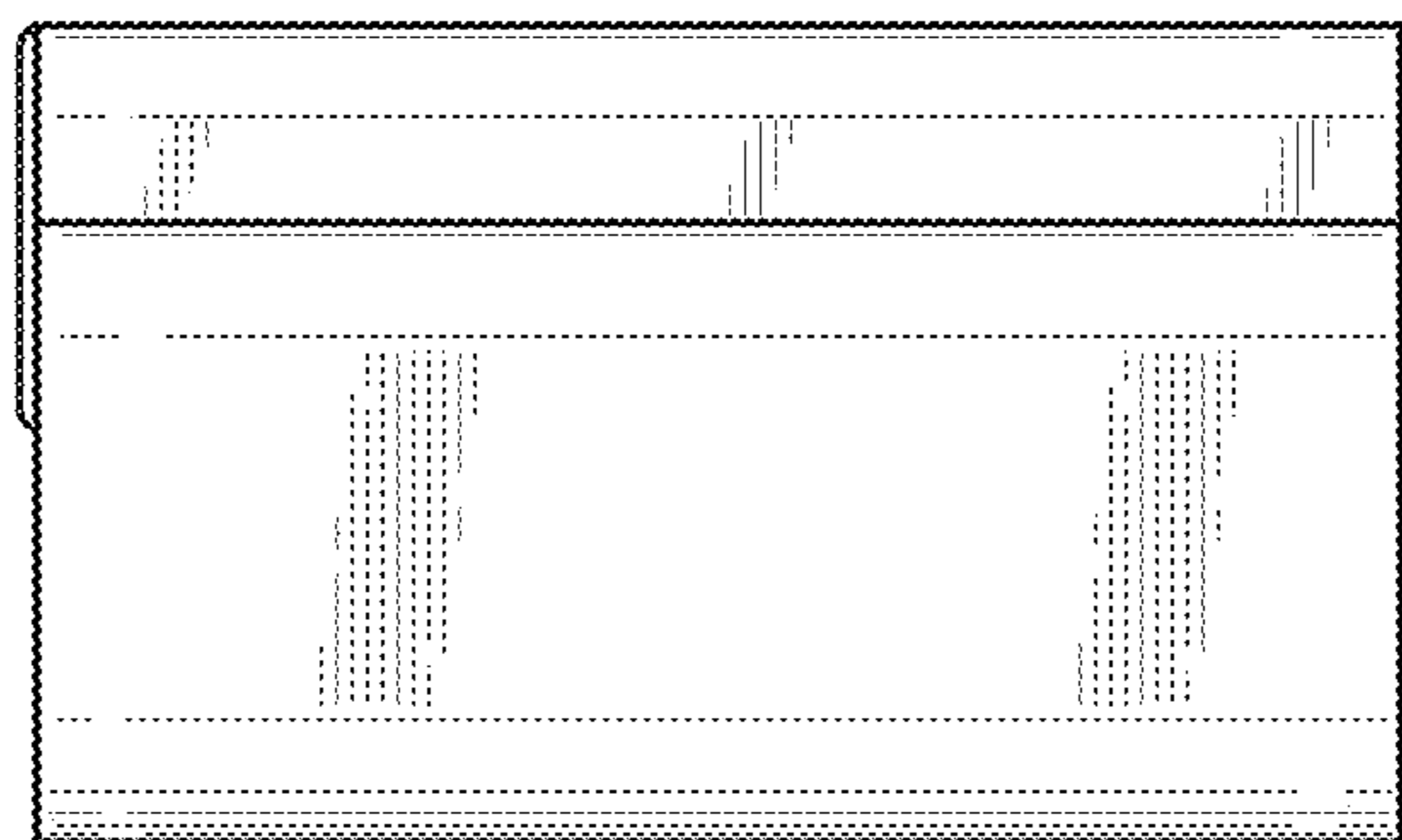


FIG. 5

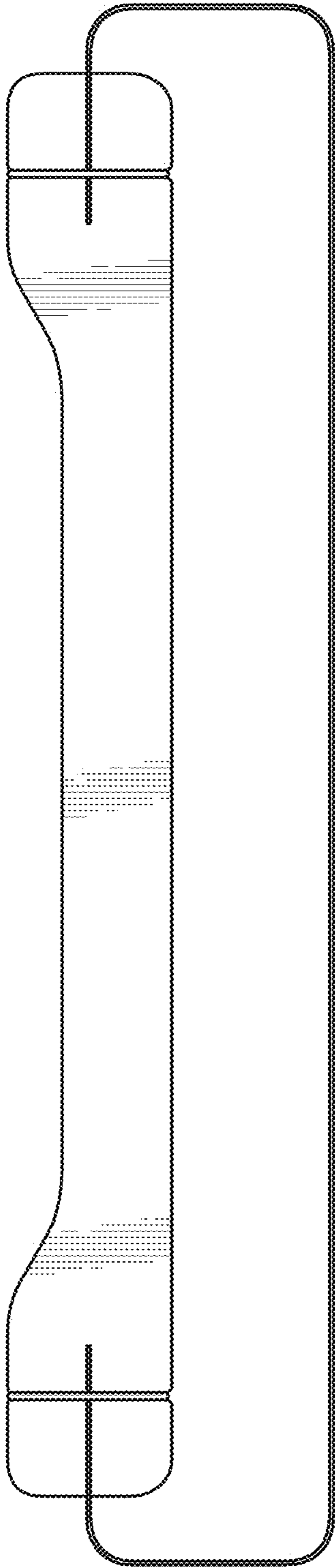


FIG. 6

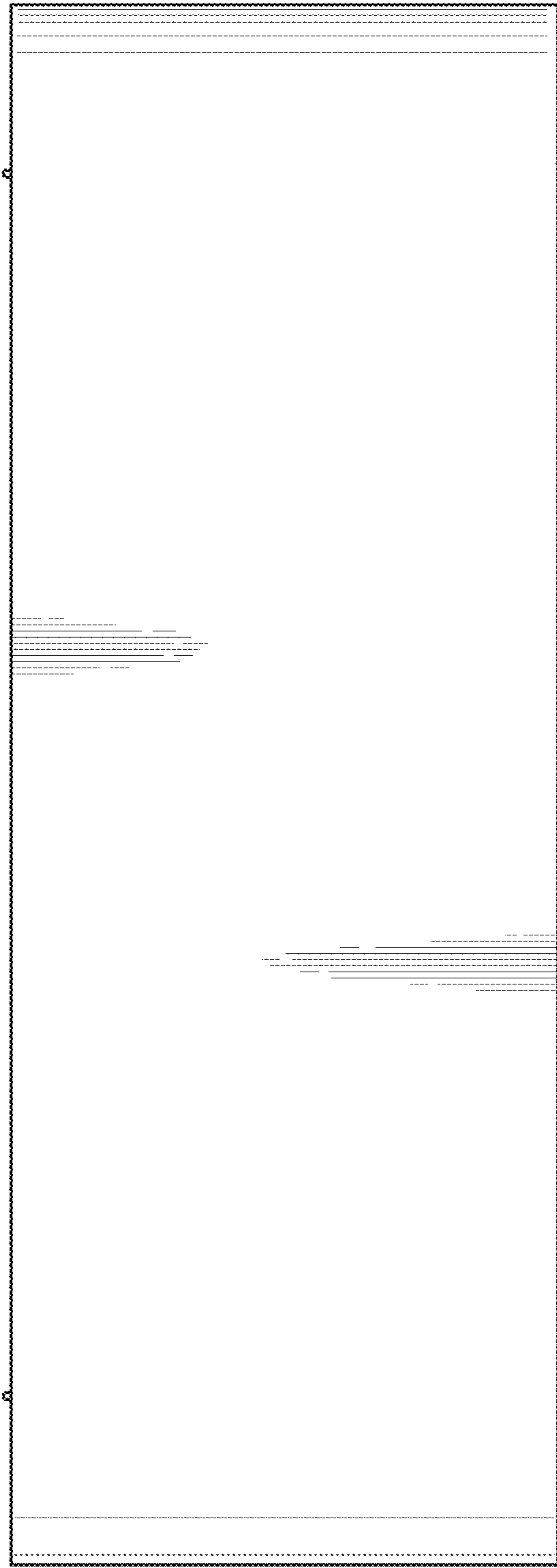


FIG. 7