



US00D894503S

(12) **United States Design Patent** (10) **Patent No.:** **US D894,503 S**
Toolan et al. (45) **Date of Patent:** **** Aug. 25, 2020**

(54) **PET CHEW TOY**

(71) Applicant: **Benebone LLC**, Westport, CT (US)

(72) Inventors: **Peter Toolan**, Westport, CT (US); **Evan L. Ryan**, Highland Park, IL (US)

(73) Assignee: **Benebone LLC**, Westport, CT (US)

(**) Term: **15 Years**

(21) Appl. No.: **29/622,395**

(22) Filed: **Oct. 17, 2017**

(51) **LOC (12) Cl.** **30-99**

(52) **U.S. Cl.**
USPC **D30/160**

(58) **Field of Classification Search**

USPC D21/398, 400, 402, 412, 415, 426, 436, D21/439, 440, 441, 443, 455, 460-462, D21/466-468, 479, 495, 563, 656, 712, D21/713, 788, 799.1, 470, 681; D24/211, D24/214, 215, 193-195; D30/160, 112, D30/119; D1/125-127

CPC A63H 5/00; A63H 33/26; A63H 33/18; A63H 29/22; A63H 29/24; A63H 2200/00; A63H 11/00; A63H 13/00; A63H 18/02; A63H 18/14; A63H 18/16; A63H 29/00; A63H 33/009; A63H 33/22; A63H 33/3055; A63H 3/003; A63H 3/006; A63H 3/008; A63H 3/24; A63H 3/28; A63H 3/31; A63H 3/36; A63H 9/00; A63B 59/20; A63B 69/406; A63B 47/04; A63B 2220/51; A63B 2220/53; A63B 2220/56; A63B 2220/805; A63B 2071/0625; A63B 2071/063; A63B 2220/17; A63B 2220/18; A63B 2220/40; A63B 2220/803; A63B 2220/833; A63B 43/004; A63B 43/06; A63B 71/0622; A63B 2071/0602; A63B 21/0055; A63B 2207/02; A63B 2225/54; A63B 69/0053; A63B 2047/043

See application file for complete search history.

(56) **References Cited**

U.S. PATENT DOCUMENTS

D253,373 S *	11/1979	Celeste	601/121
D256,503 S *	8/1980	Moustakas	D24/212
D475,464 S *	6/2003	Chen	D24/211
D636,949 S	4/2011	Axelrod et al.	
D676,140 S *	2/2013	Feightner	D24/212
D690,897 S	10/2013	Toolan et al.	
D708,418 S *	7/2014	Allen	D1/106
D709,559 S *	7/2014	Baumann	D21/398
D712,602 S	9/2014	Chen et al.	
D746,018 S	12/2015	Axelrod et al.	
D827,846 S *	9/2018	De Nitto	D24/211

(Continued)

OTHER PUBLICATIONS

Drawings from Design U.S. Appl. No. 29/597,866, filed Mar. 21, 2017.

Primary Examiner — Sheryl Lane

Assistant Examiner — Aula Soroush

(74) *Attorney, Agent, or Firm* — Zollinger & Burleson Ltd.

(57) **CLAIM**

The ornamental design for a pet chew toy, as shown and described.

DESCRIPTION

FIG. 1 is an upper front right perspective view of a pet chew toy showing our new design.

FIG. 2 is an upper rear right perspective view thereof.

FIG. 3 is a front elevation view thereof.

FIG. 4 is a rear elevation view thereof.

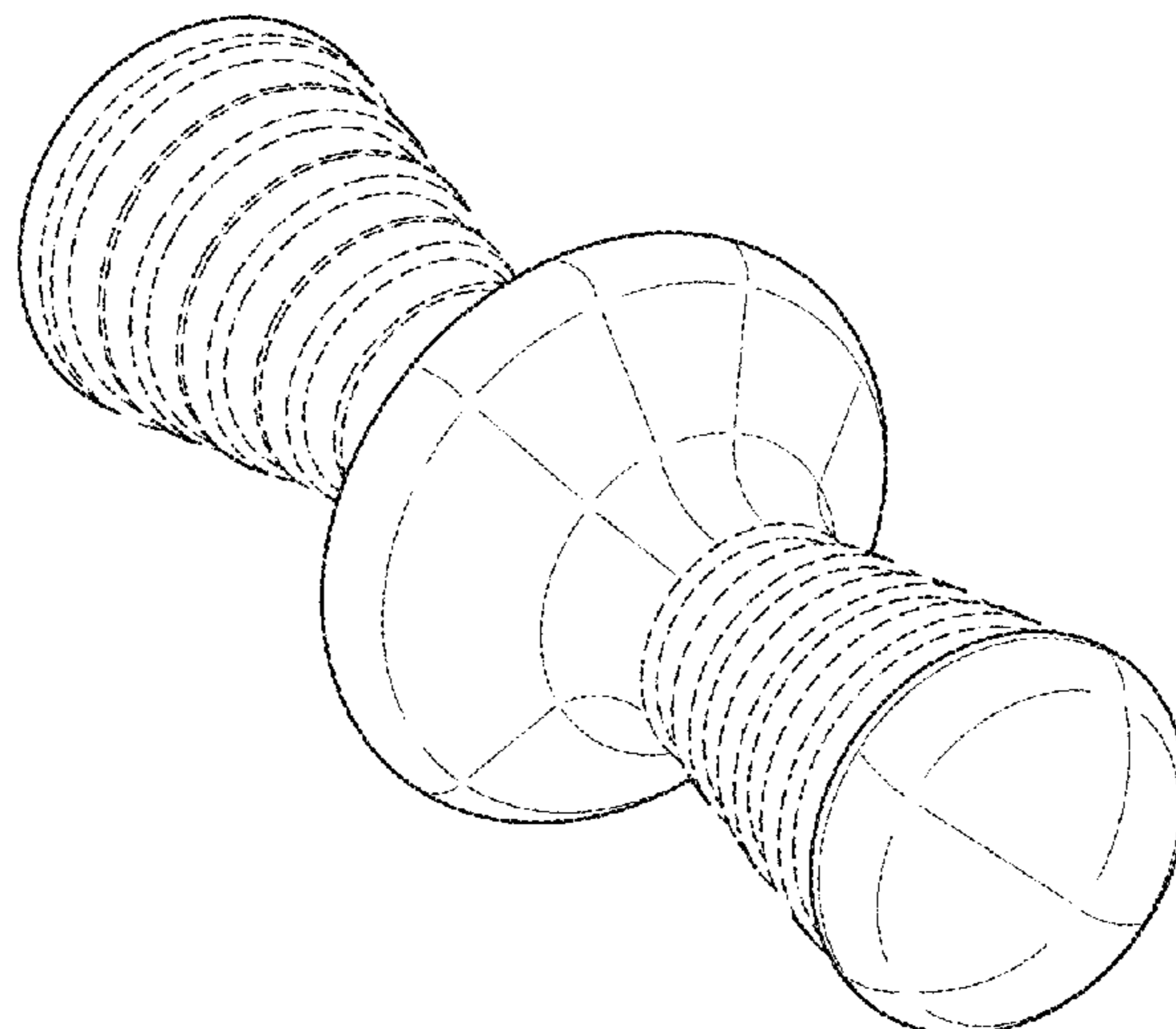
FIG. 5 is a top plan view of thereof.

FIG. 6 is a bottom plan view thereof; and,

FIG. 7 is a left side elevation view thereof; the right side elevation view being a mirror image thereof.

The eight grooves on the arms depicted in broken lines form no part of the claimed invention.

1 Claim, 3 Drawing Sheets



(56)

References Cited

U.S. PATENT DOCUMENTS

D840,045 S * 2/2019 Merkel D24/211
D840,610 S * 2/2019 Toolan D30/160
D843,680 S * 3/2019 Becattini, Jr. D1/118
D851,271 S * 6/2019 Burson A61H 15/0092
D24/211
D858,911 S * 9/2019 Becattini, Jr. D30/160
2006/0102099 A1 5/2006 Edwards
2014/0130750 A1 5/2014 Valle et al.
2015/0040837 A1 2/2015 Axelrod et al.
2016/0255812 A1 9/2016 Wolfe, Jr. et al.
2018/0000048 A1* 1/2018 Stone A01K 15/025

* cited by examiner

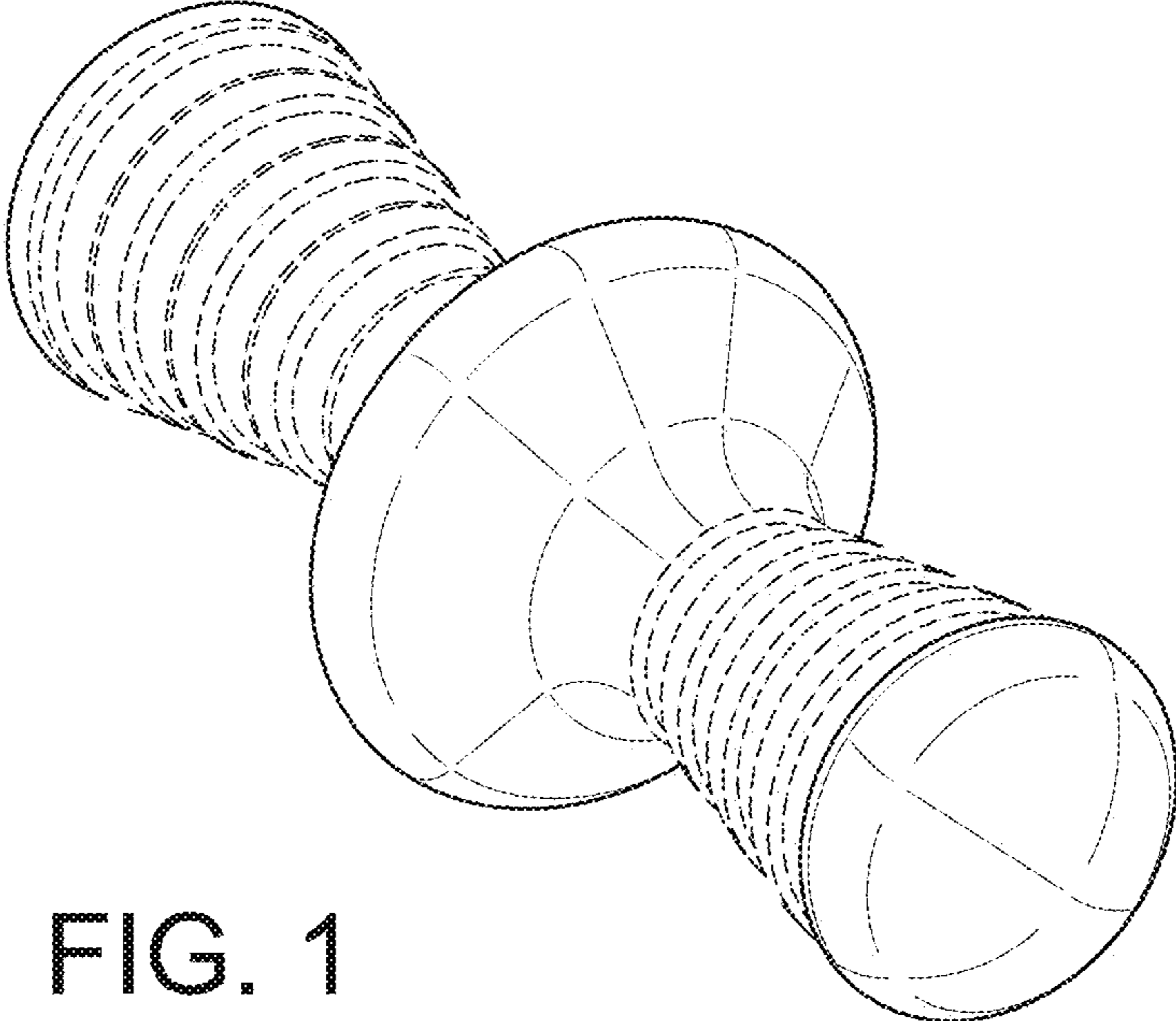


FIG. 1

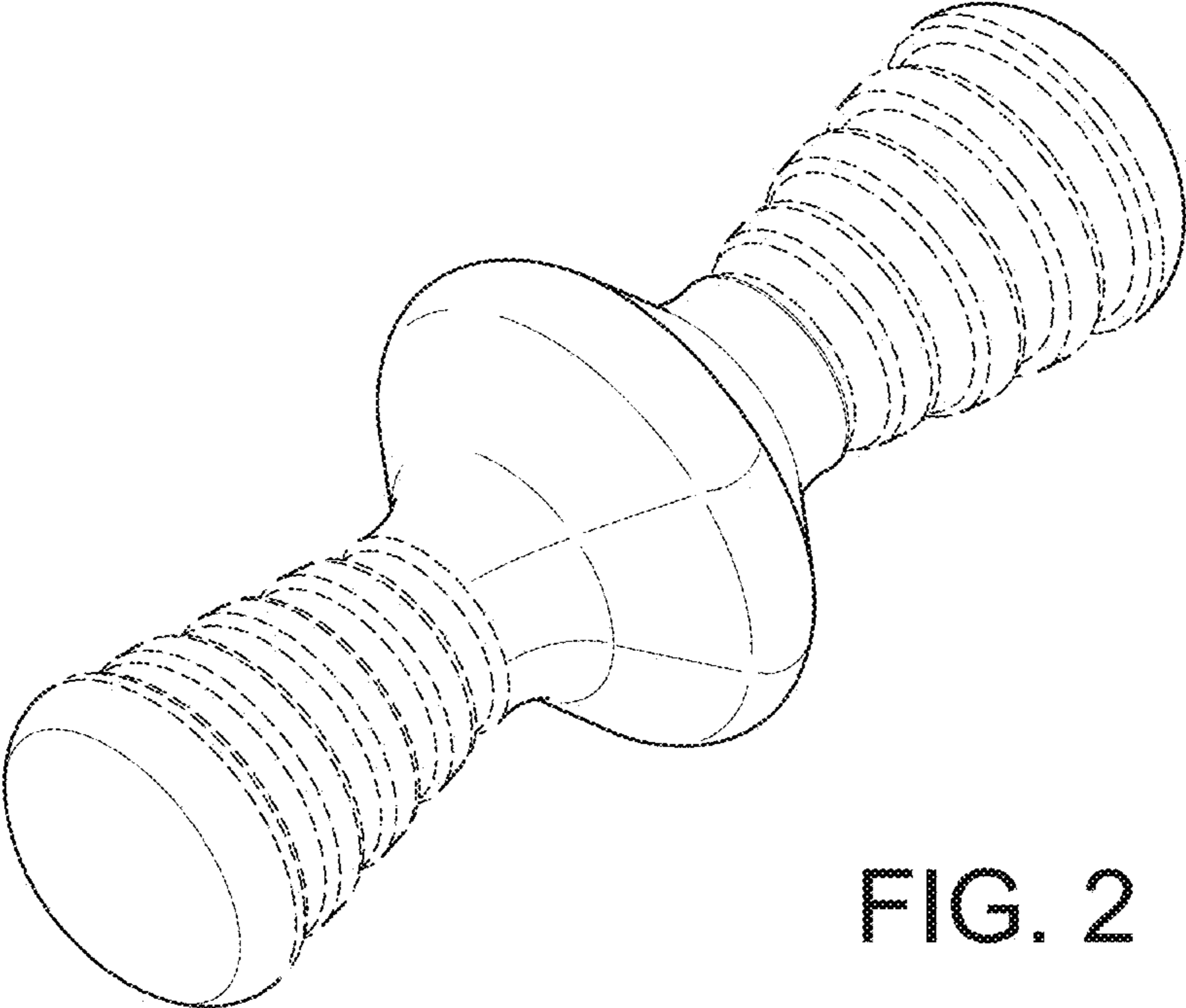


FIG. 2

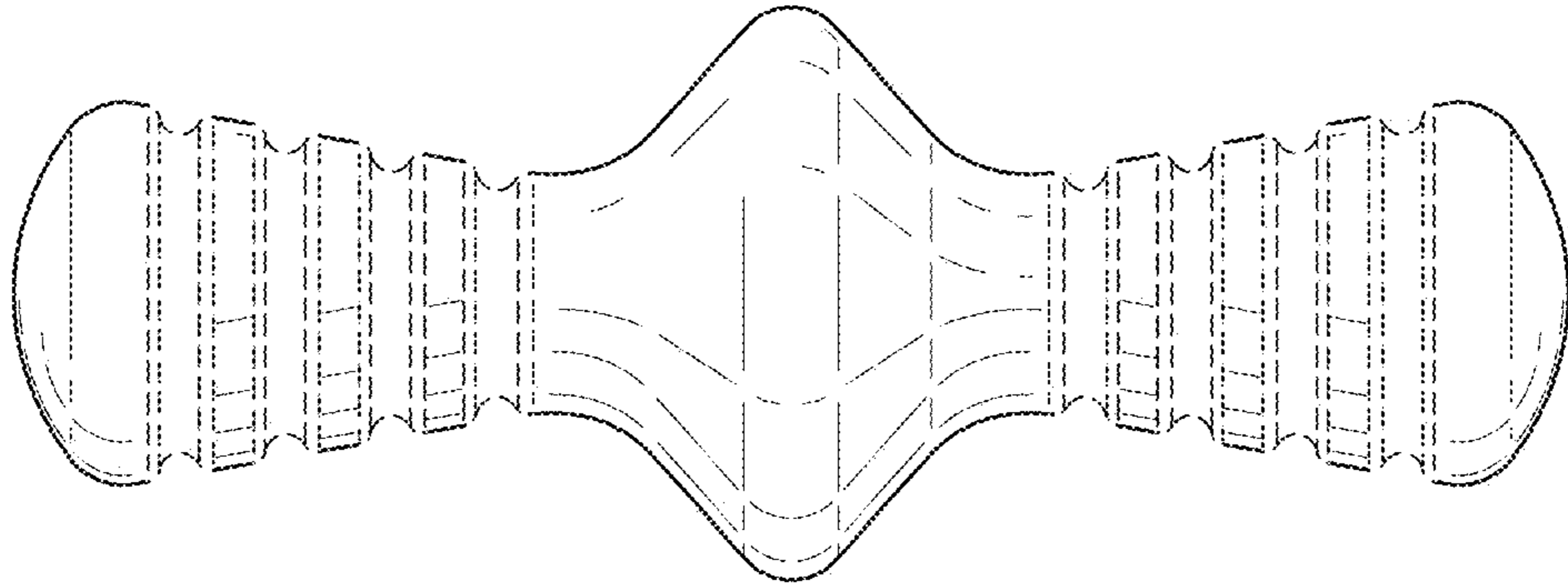


FIG. 3

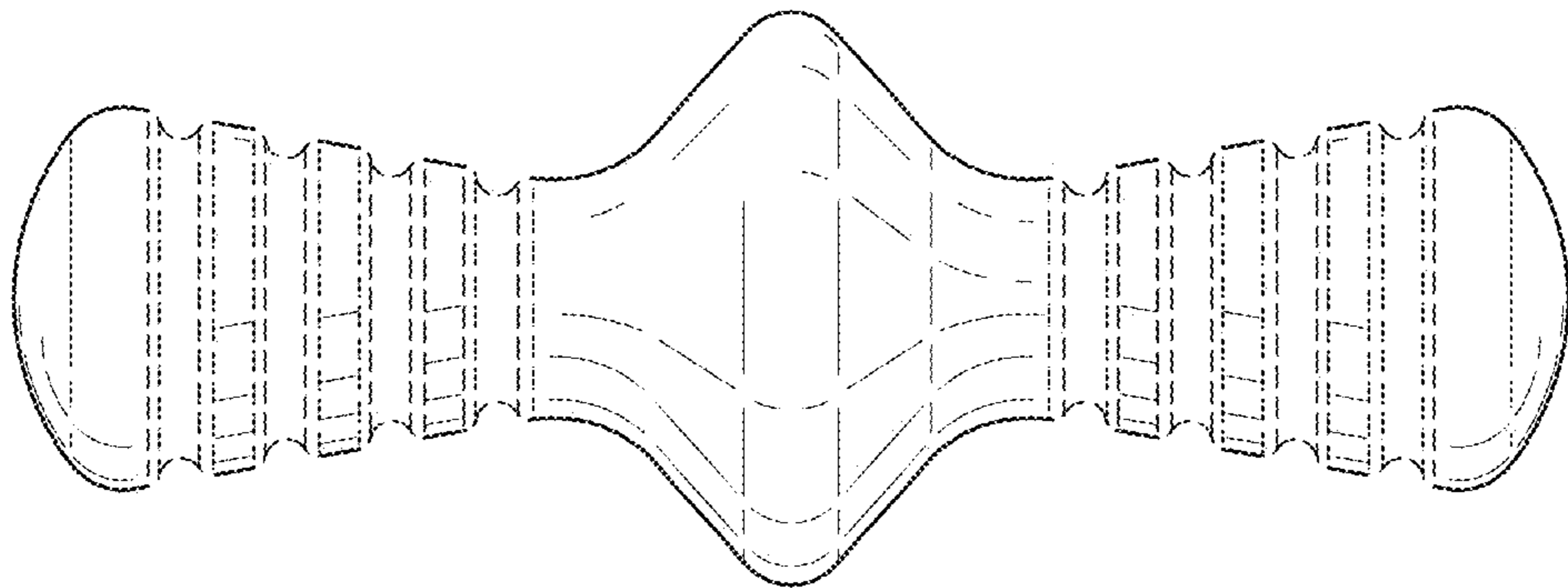


FIG. 4

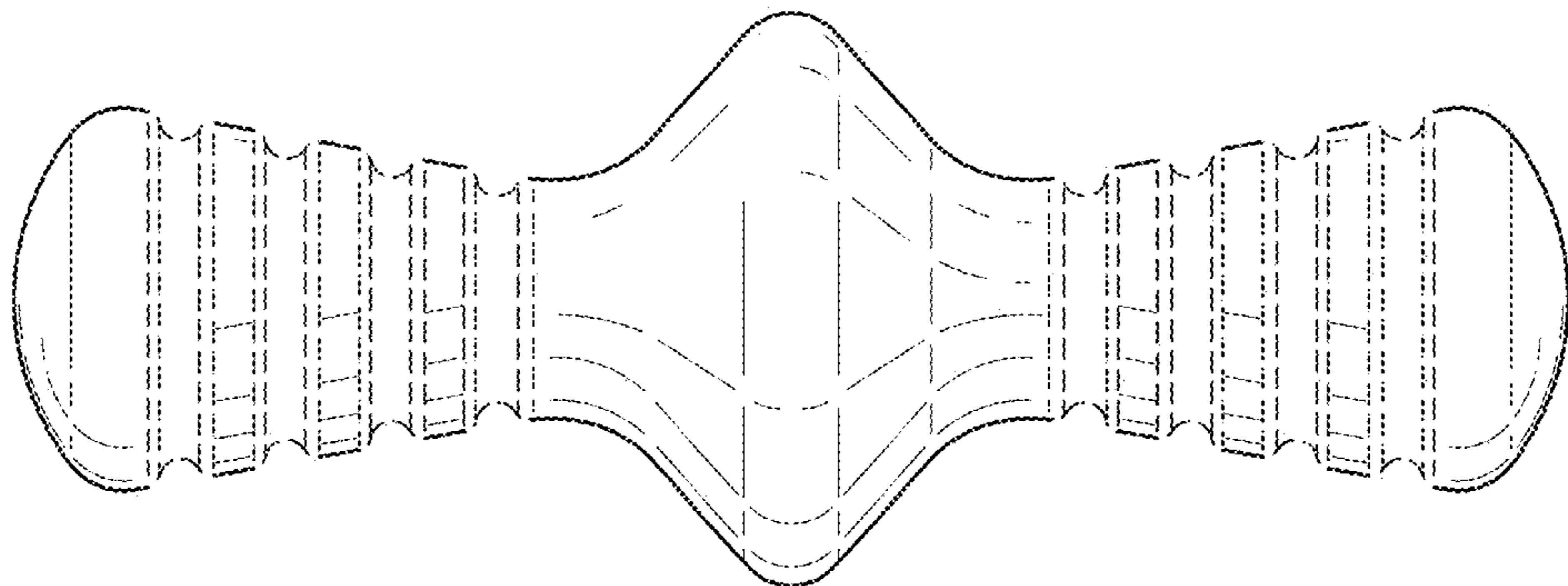


FIG. 5

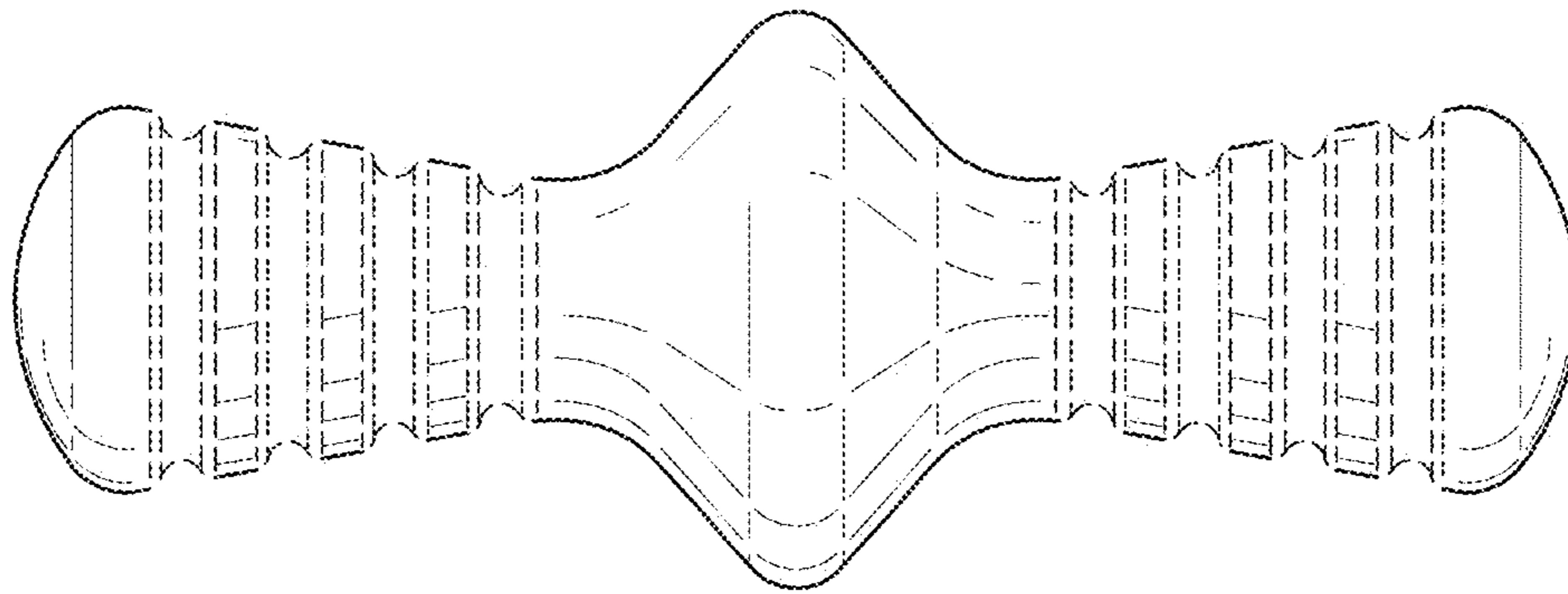


FIG. 6

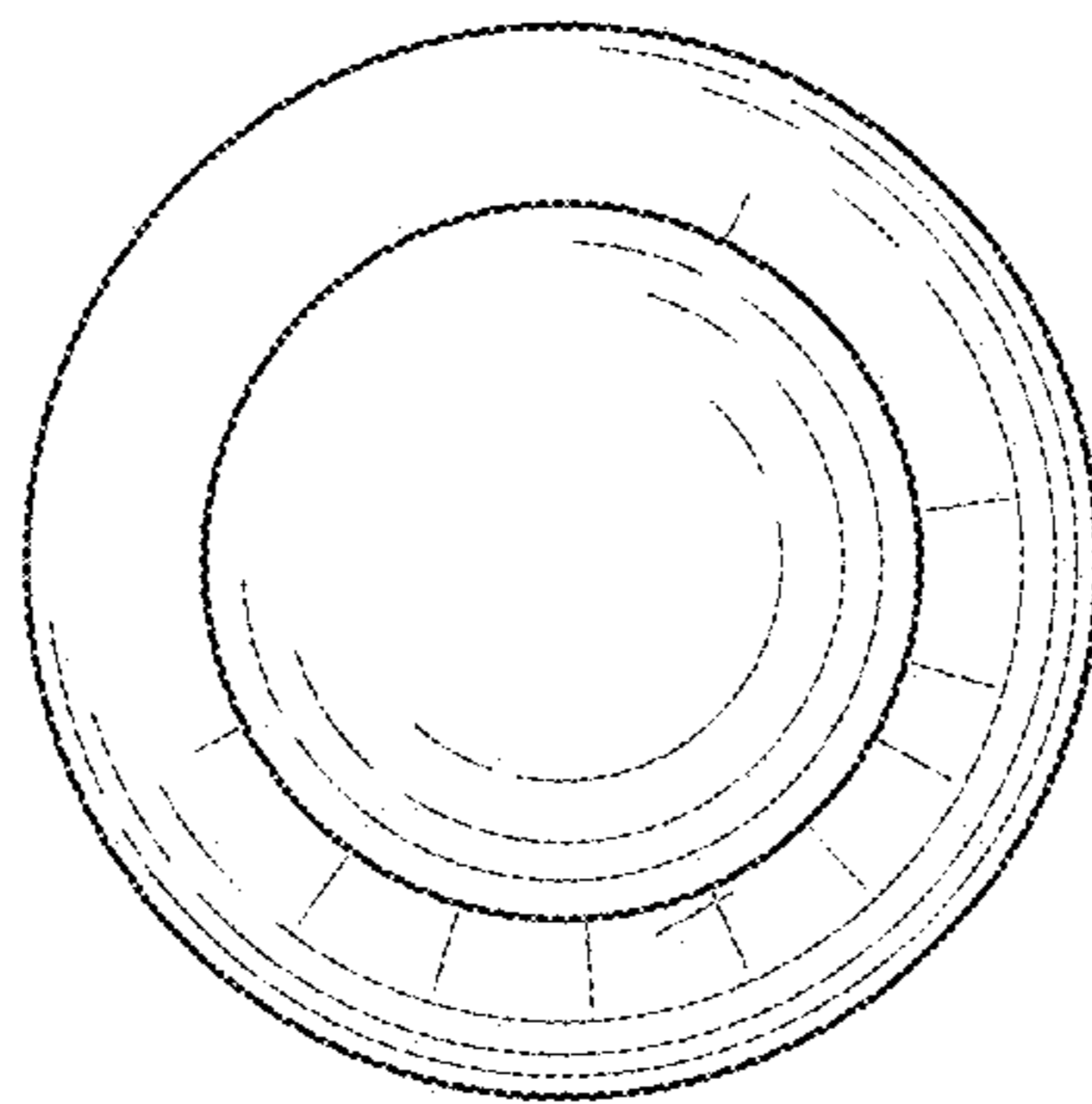


FIG. 7