



US00D894500S

(12) **United States Design Patent** (10) **Patent No.:** **US D894,500 S**
Cui (45) **Date of Patent:** **** Aug. 25, 2020**

(54) **PET WATER FOUNTAIN**

(71) Applicant: **Xuan Cui**, Guangdong (CN)

(72) Inventor: **Xuan Cui**, Guangdong (CN)

(**) Term: **15 Years**

(21) Appl. No.: **29/664,833**

(22) Filed: **Sep. 28, 2018**

(30) **Foreign Application Priority Data**

Jun. 15, 2018 (CN) 2018 3 0308077

(51) **LOC (12) Cl.** **30-03**

(52) **U.S. Cl.**
USPC **D30/132**

(58) **Field of Classification Search**
USPC D30/121, 122, 129, 130, 131, 132, 133,
D30/199
CPC A01K 5/00; A01K 5/0291; A01K 7/00;
A01K 7/005; A01K 7/02; A01K 39/02;
A01K 39/04

See application file for complete search history.

(56) **References Cited**

U.S. PATENT DOCUMENTS

D497,041 S *	10/2004	Plante	D30/130
D820,533 S *	6/2018	Huang	D30/132
D820,534 S *	6/2018	Huang	D30/132
10,165,753 B1 *	1/2019	Huang	A01K 7/02
D849,336 S *	5/2019	Huang	D30/132
D849,337 S *	5/2019	Huang	D30/132
D850,020 S *	5/2019	Paxson	D30/132
D850,731 S *	6/2019	Wu	D30/132

OTHER PUBLICATIONS

“3.5L Cat Fountain Automatic Pet Water Fountain” available May 15, 2019, [online], [site visited May 28, 2020]. Retrieved from

Internet, URL: <https://www.walmart.com/ip/Water-Pcs-Dispenser-Fountain-Element-Drinking-Replacement-Carbon-Design-Activated-Filters-Three-layer-Filter-6-Pet-Automatic-Fountains/147172072> (Year: 2019).*
“Pet Water Fountain—Stylish New Deals” available May 28, 2020, [online], [site visited May 28, 2020]. Retrieved from Internet, URL: <https://stylishnewdeal.com/products/pet-water-fountain> (Year: 2020).*
“Beacon Pet Cat Water Fountain” available Mar. 29, 2019, [online], [site visited May 28, 2020]. Retrieved from Internet, URL: https://www.amazon.com/Beacon-Pet-Stainless-Automatic-Replacement/dp/B07P9DXMJ6/ref=cm_cr_ar_p_d_product_top?ie=UTF8 (Year: 2019).*

* cited by examiner

Primary Examiner — Michael C Stout
Assistant Examiner — Katrina N Gonzalez

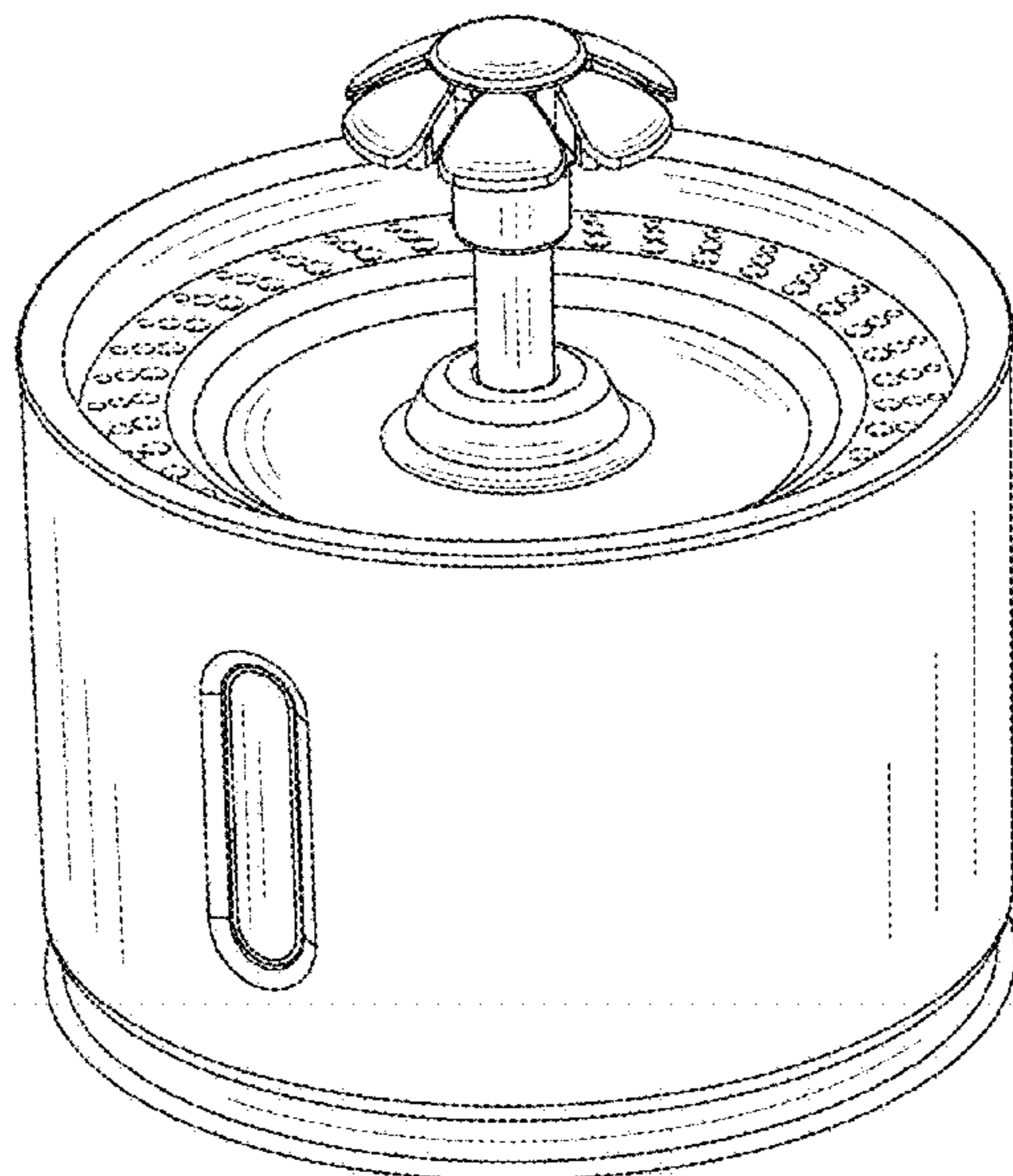
(57) **CLAIM**

The ornamental design for a pet water fountain, as shown and described.

DESCRIPTION

FIG. 1 is a front elevational view of a pet water fountain showing my new design;
FIG. 2 is a rear elevational view thereof;
FIG. 3 is a left side view thereof;
FIG. 4 is a right side view thereof;
FIG. 5 is a top plan view thereof;
FIG. 6 is a bottom plan view thereof;
FIG. 7 is a top, front and right side perspective view thereof;
FIG. 8 is a top, rear and left side perspective view thereof;
and,
FIG. 9 is a top, front and right side perspective view showing the pet water fountain in a disassembled state.
The broken lines in the drawings illustrate portions of the pet water fountain which form no part of the claimed design.

1 Claim, 9 Drawing Sheets



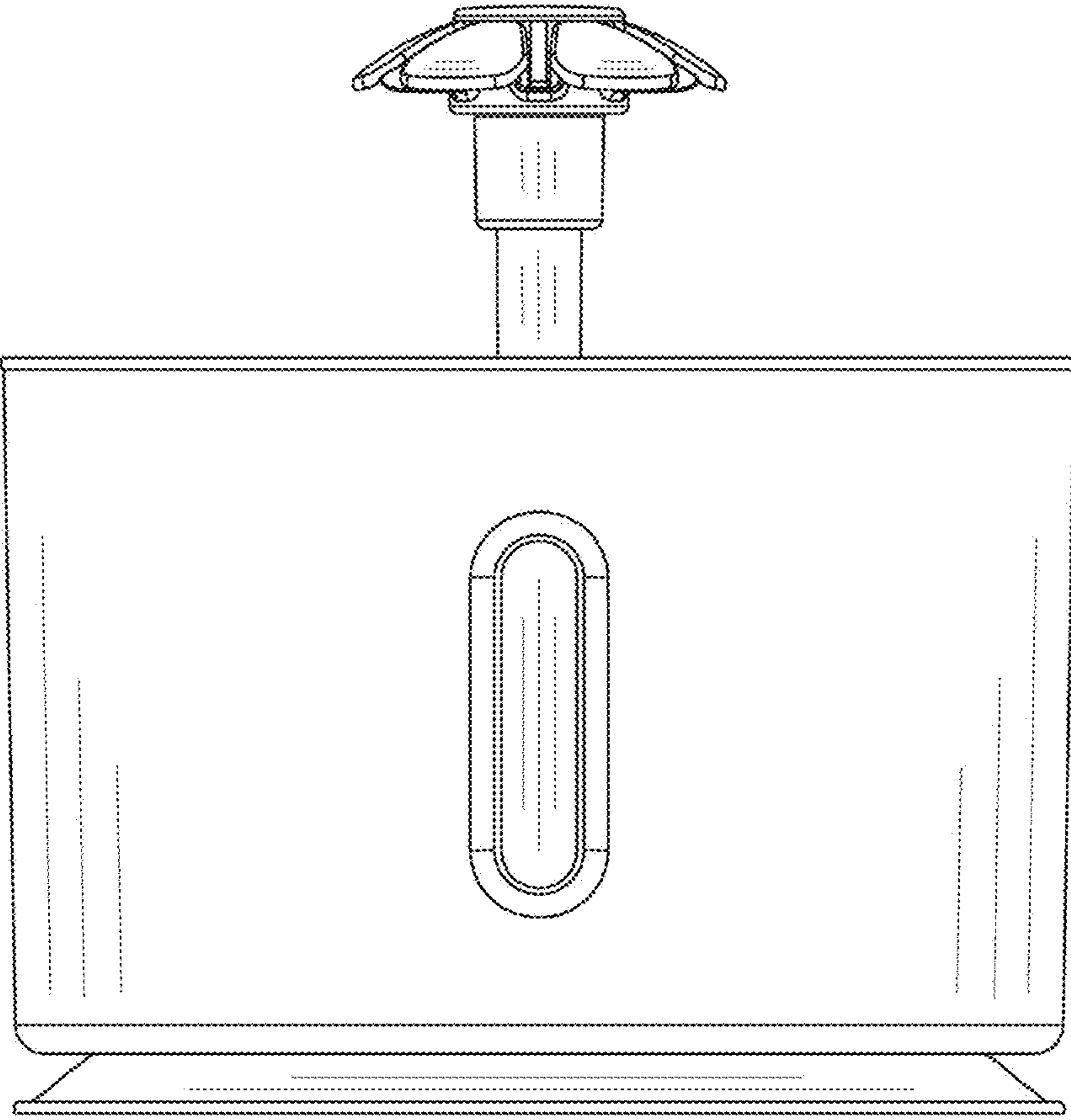


Fig. 1

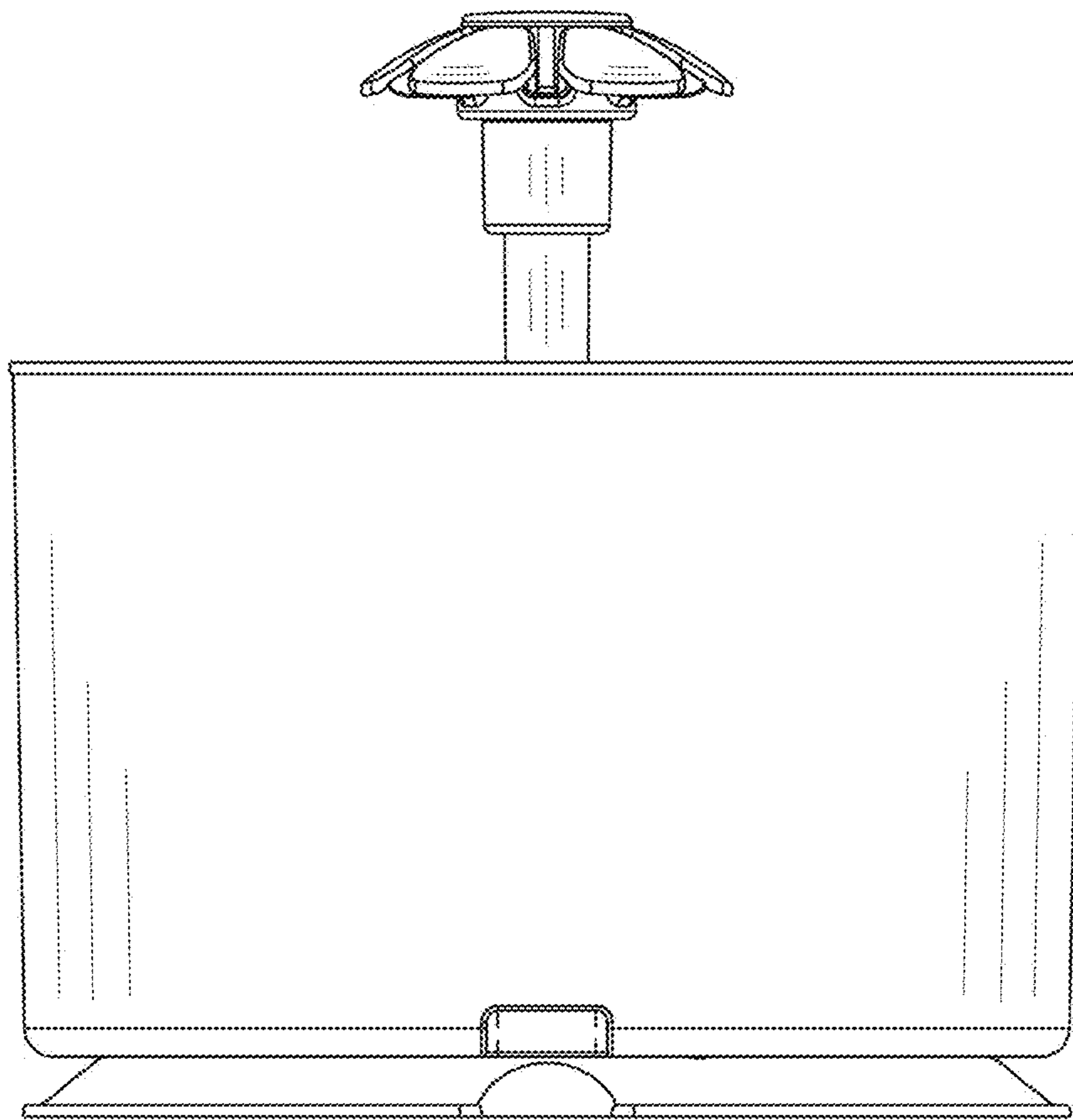


Fig.2

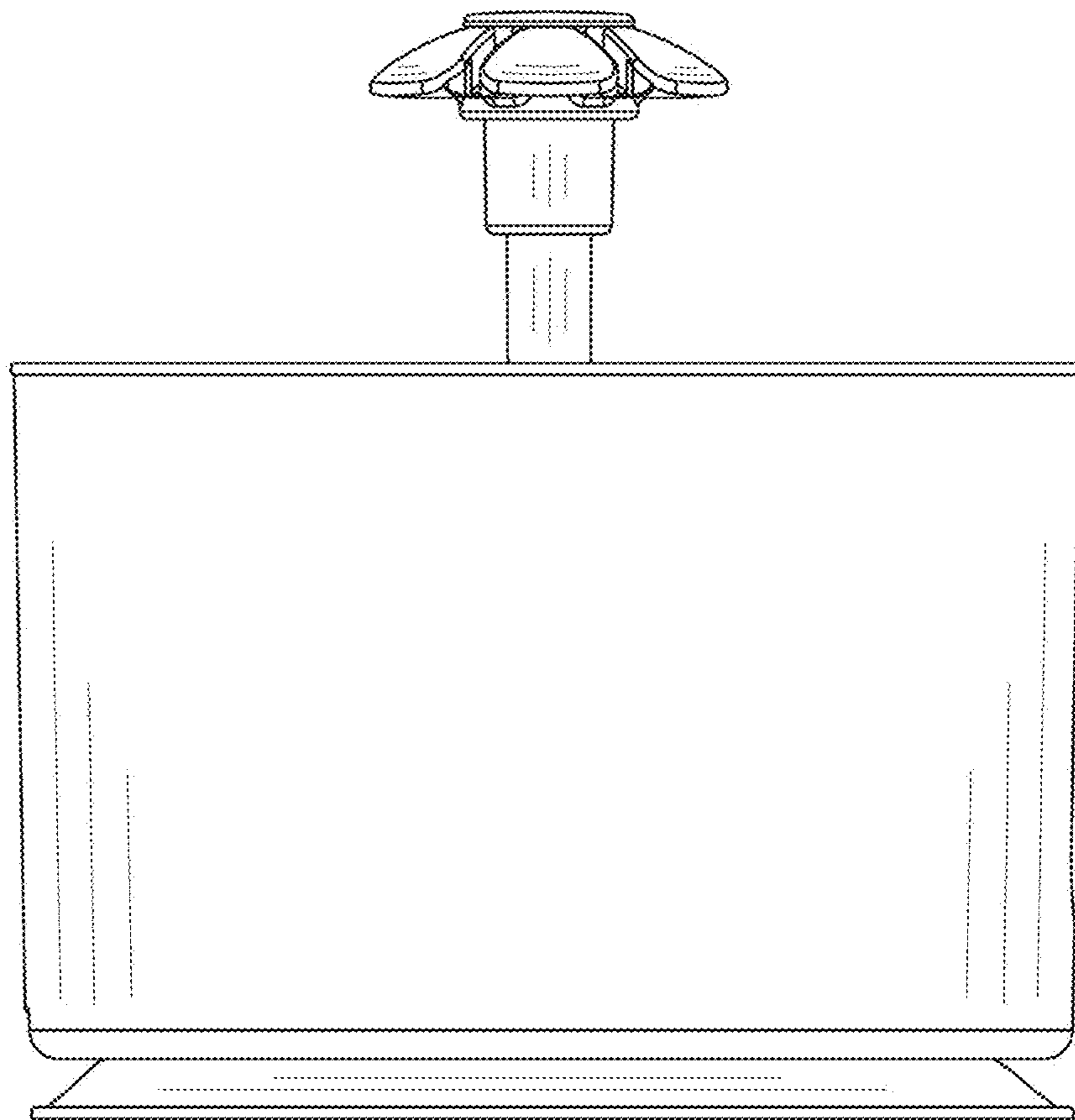


Fig.3

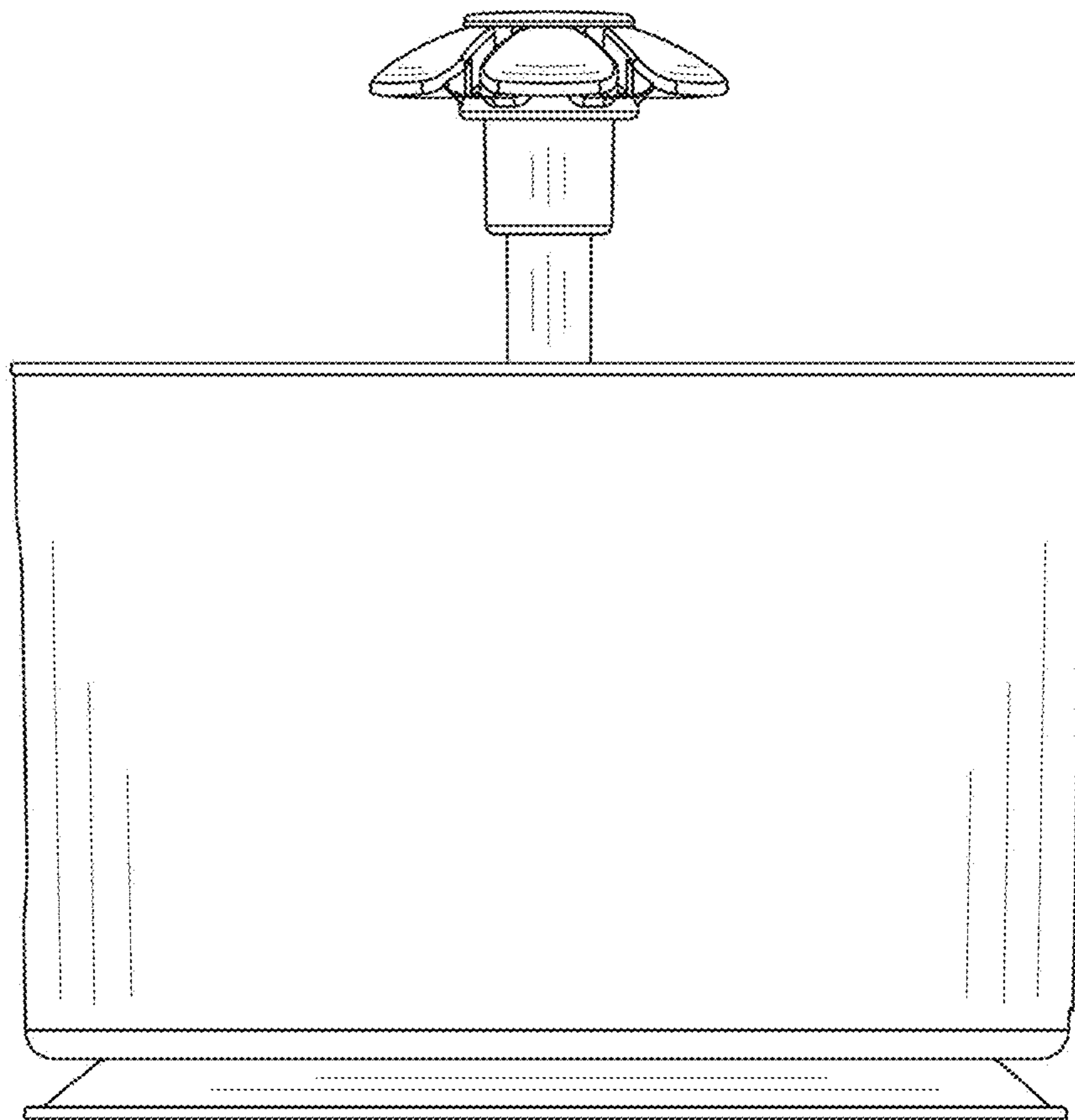


Fig.4

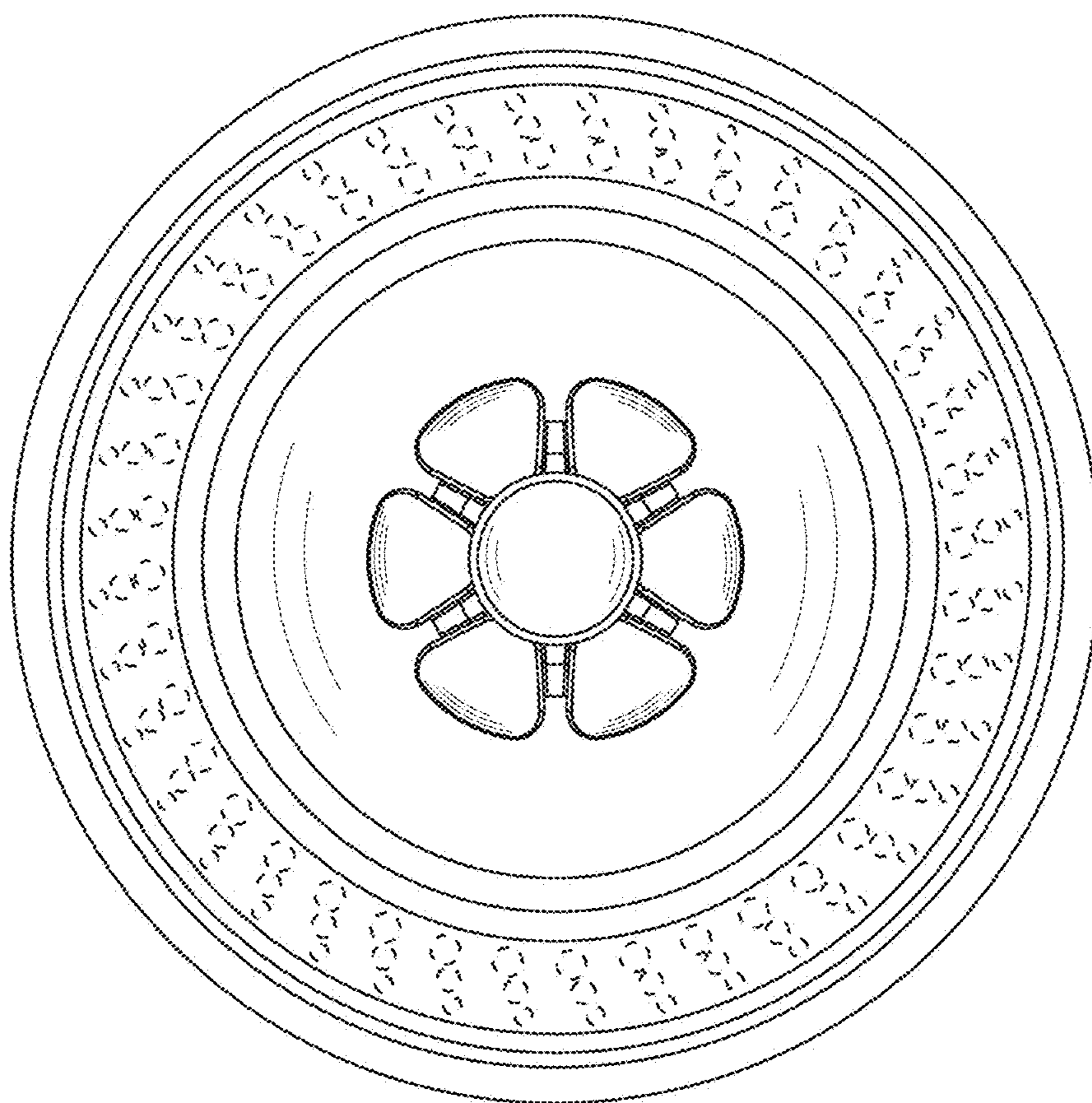


Fig.5

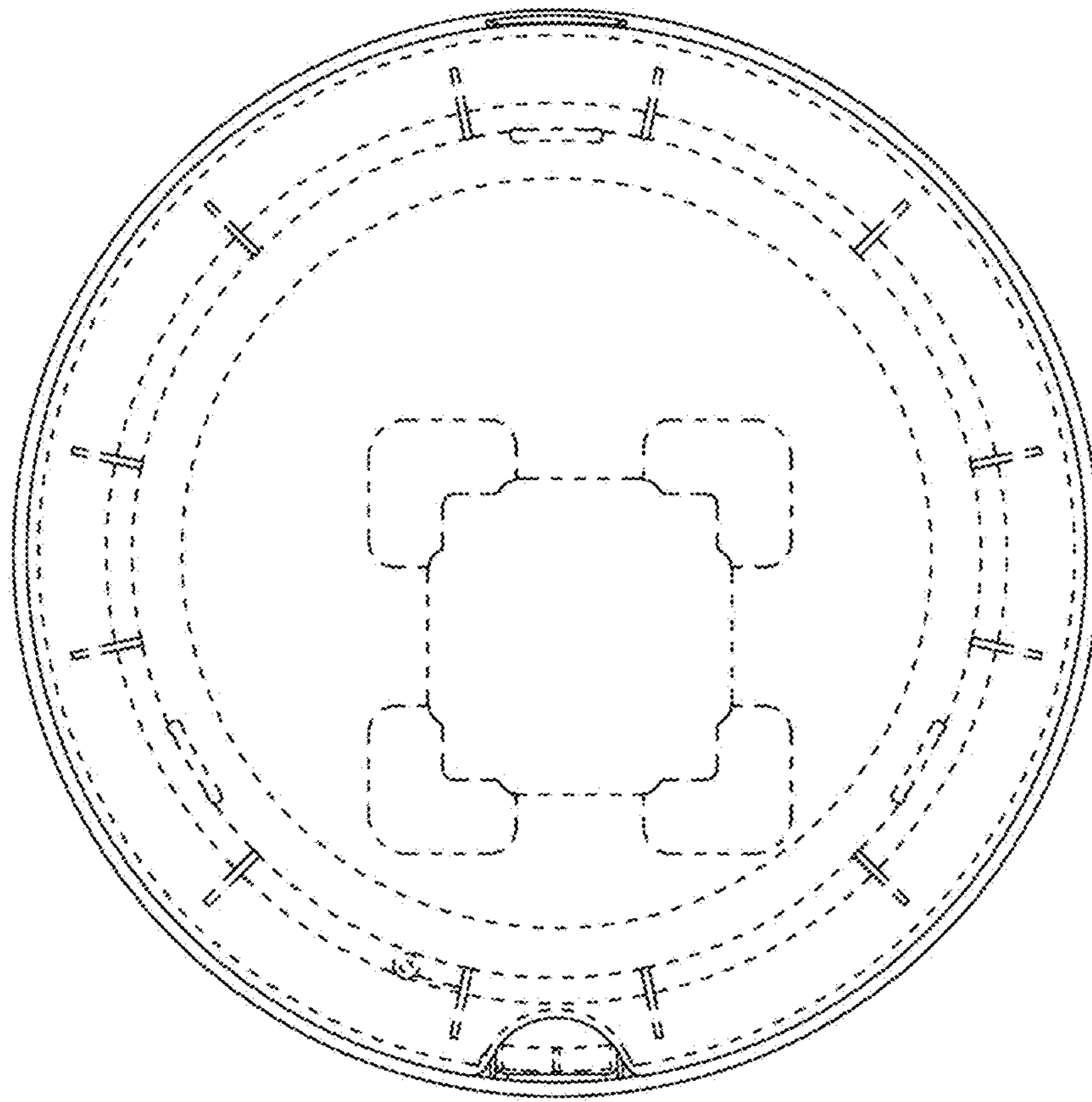


Fig.6

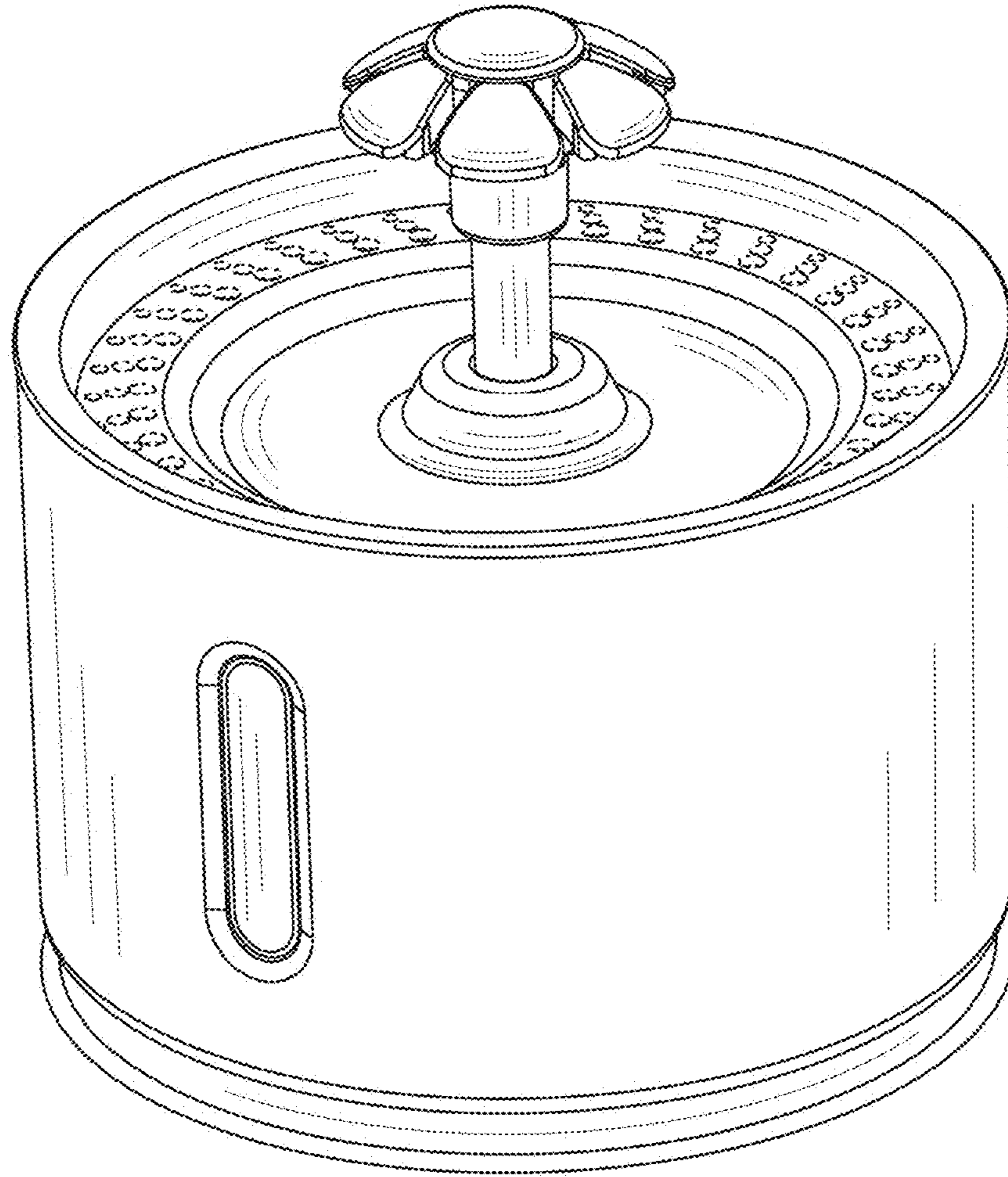


Fig.7

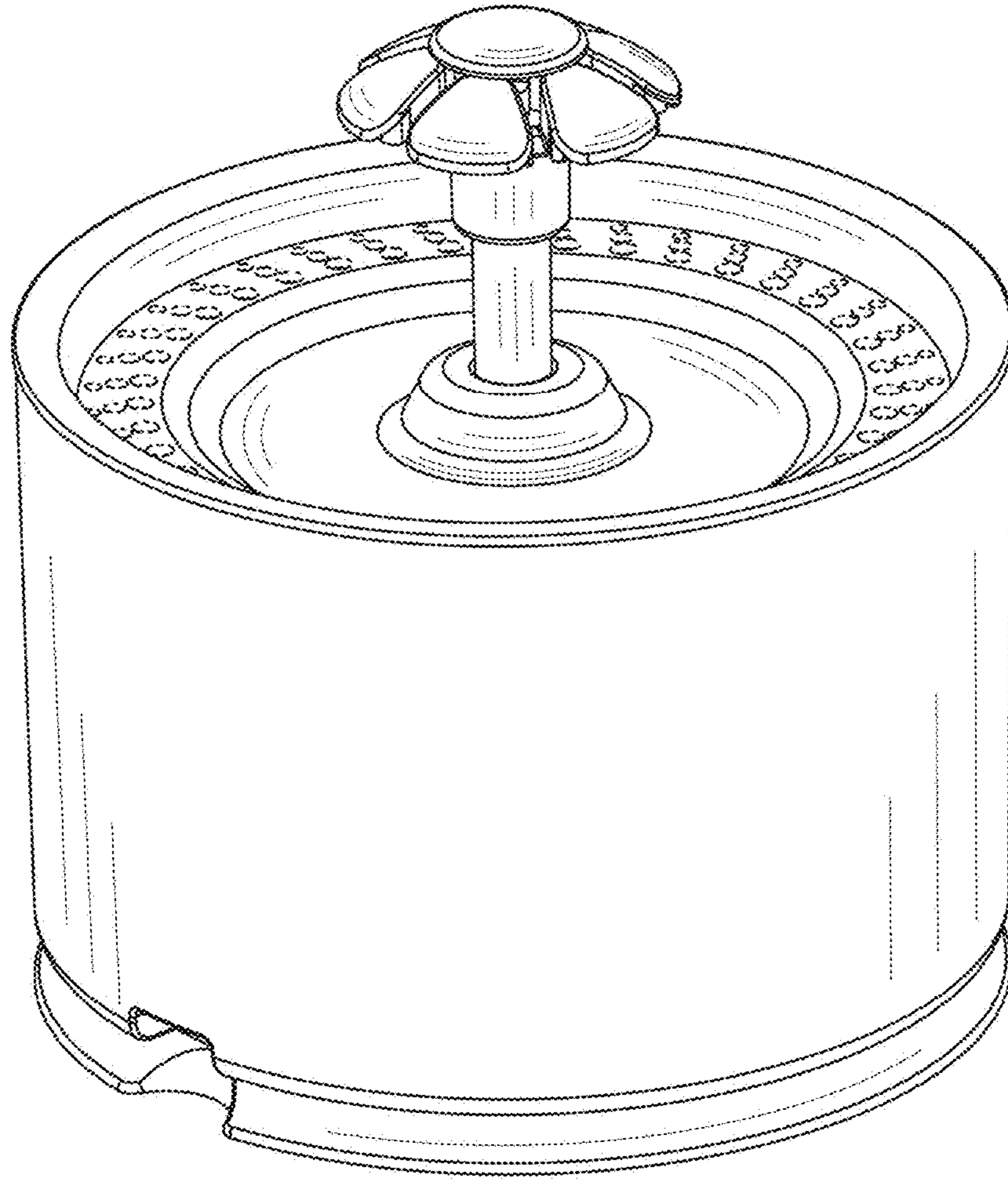


Fig.8

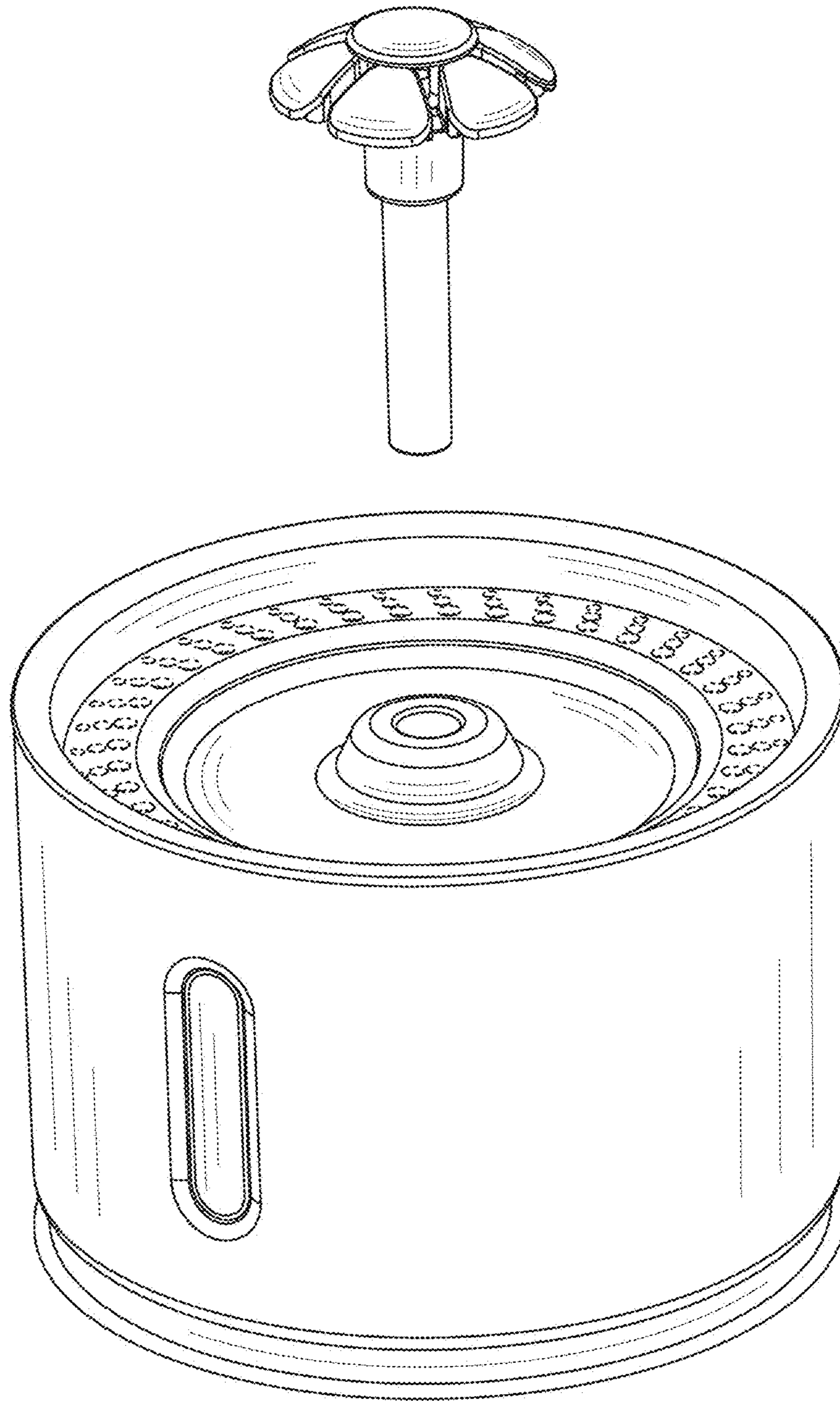


Fig.9