



US00D894499S

(12) **United States Design Patent**
Houx et al.

(10) **Patent No.:** **US D894,499 S**

(45) **Date of Patent:** **** Aug. 25, 2020**

(54) **PET FOOD CONTAINER**

(71) Applicants: **Sam Houx**, Hacienda Heights, CA
(US); **Sarah Fenton**, Hacienda Heights,
CA (US)

(72) Inventors: **Sam Houx**, Hacienda Heights, CA
(US); **Sarah Fenton**, Hacienda Heights,
CA (US)

(**) Term: **15 Years**

(21) Appl. No.: **29/661,194**

(22) Filed: **Aug. 24, 2018**

(51) **LOC (12) Cl.** **30-03**

(52) **U.S. Cl.**
USPC **D30/129**

(58) **Field of Classification Search**
USPC D30/121, 122, 129-133, 199
CPC A01K 5/00
See application file for complete search history.

(56) **References Cited**

U.S. PATENT DOCUMENTS

D313,486 S * 1/1991 Conner D30/121
D313,487 S * 1/1991 Conner D30/129
D446,362 S * 8/2001 Choi A01K 5/0135
D30/129

D716,003 S * 10/2014 Brown D30/129
D757,373 S * 5/2016 Breit D30/129
D868,391 S * 11/2019 Townsend D30/129
D874,742 S * 2/2020 Glaros D30/129
2020/0077621 A1* 3/2020 Houx A01K 5/0114

* cited by examiner

Primary Examiner — Michael C Stout

Assistant Examiner — Katrina N Gonzalez

(74) *Attorney, Agent, or Firm* — The Law Office of
Austin Bonderer, PC; Austin Bonderer

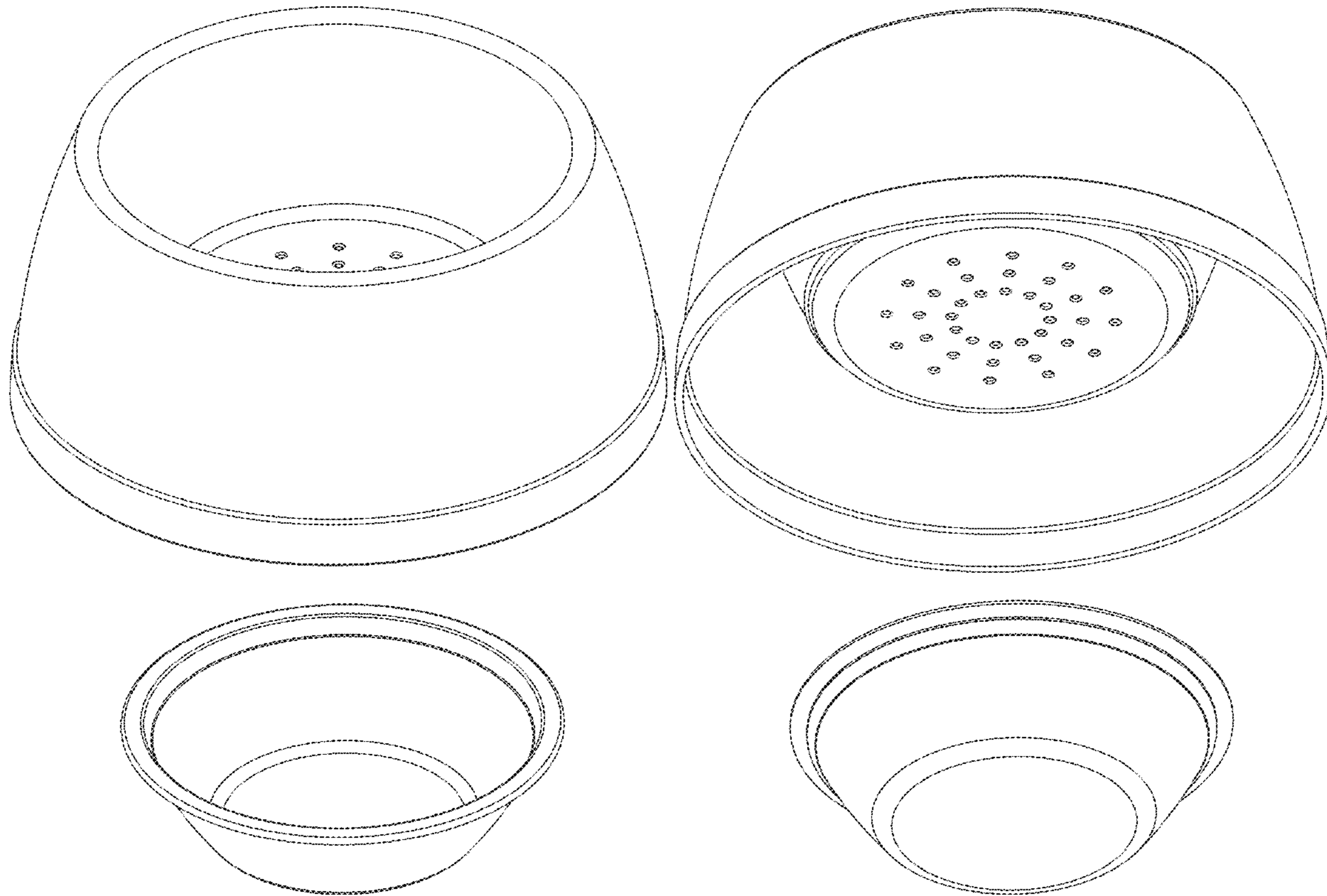
(57) **CLAIM**

The ornamental design for a pet food container, as shown
and described.

DESCRIPTION

FIG. 1 is a perspective view of the pet food container
showing the new design;
FIG. 2 is a front view thereof;
FIG. 3 is a rear view thereof
FIG. 4 is a right side view thereof;
FIG. 5 is a left side view thereof;
FIG. 6 is a top view thereof;
FIG. 7 is a bottom view thereof;
FIG. 8 is a cross-sectional front view taken along and in the
direction of line 8-8 in FIG. 6;
FIG. 9 is an exploded top perspective view thereof; and,
FIG. 10 is an exploded bottom perspective view thereof.

1 Claim, 7 Drawing Sheets



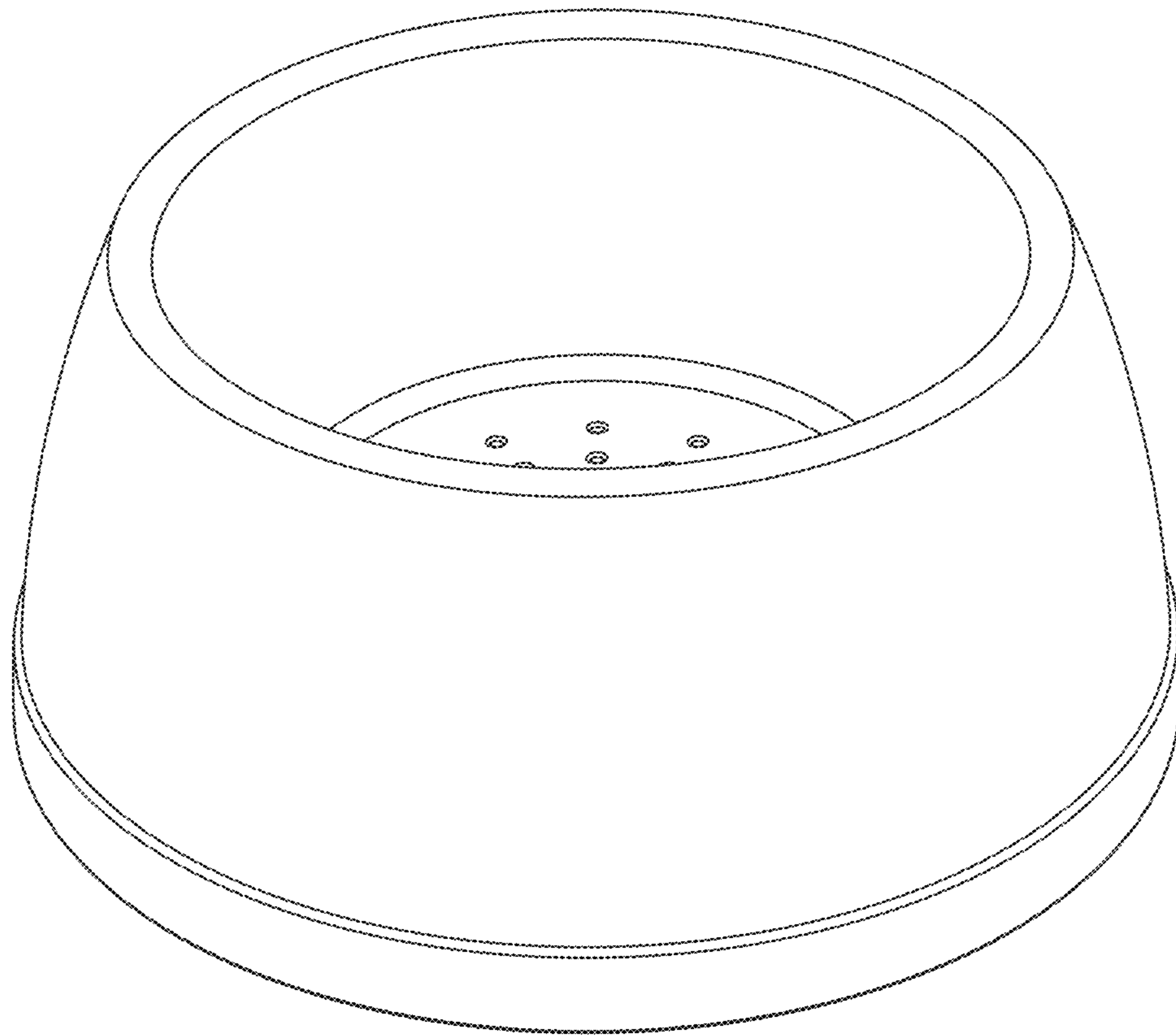


FIG. 1

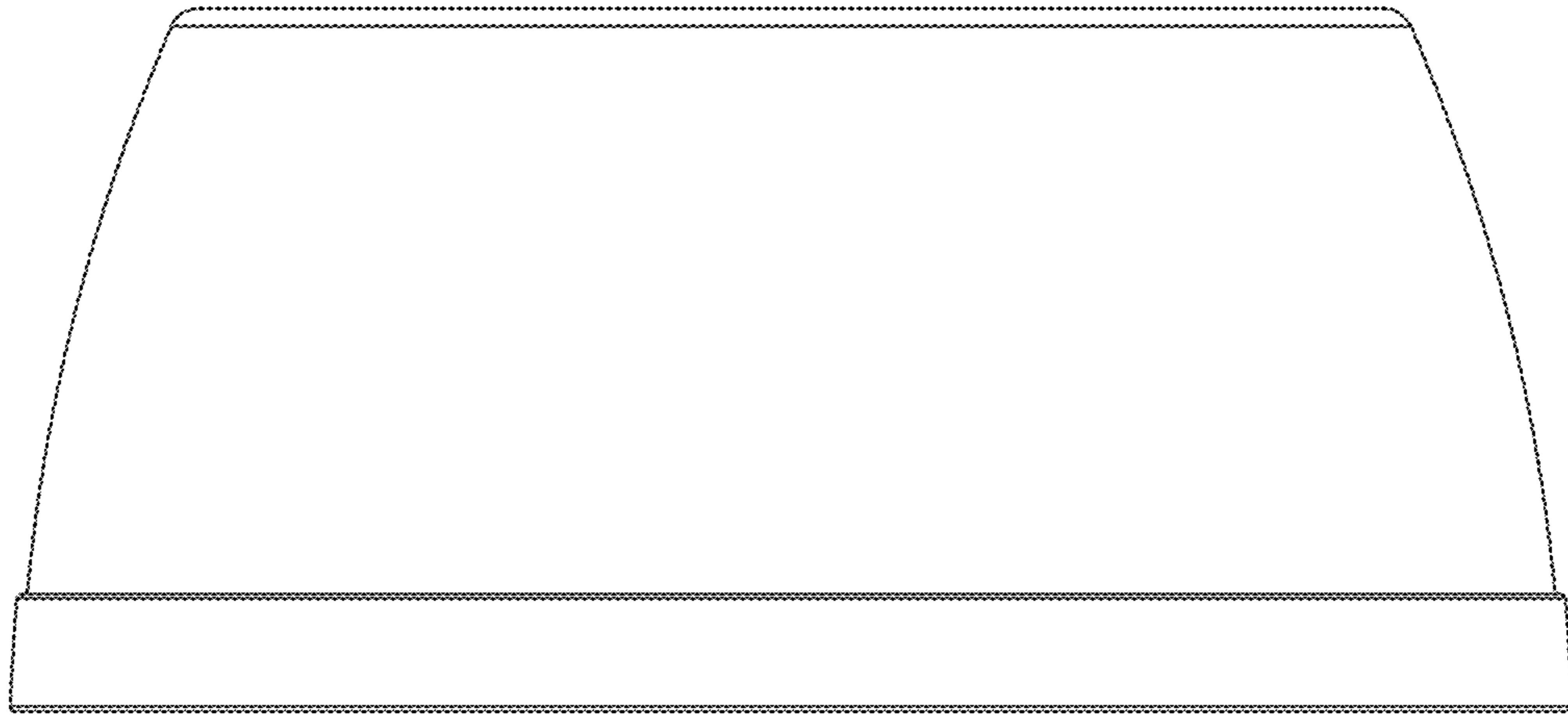


FIG. 2

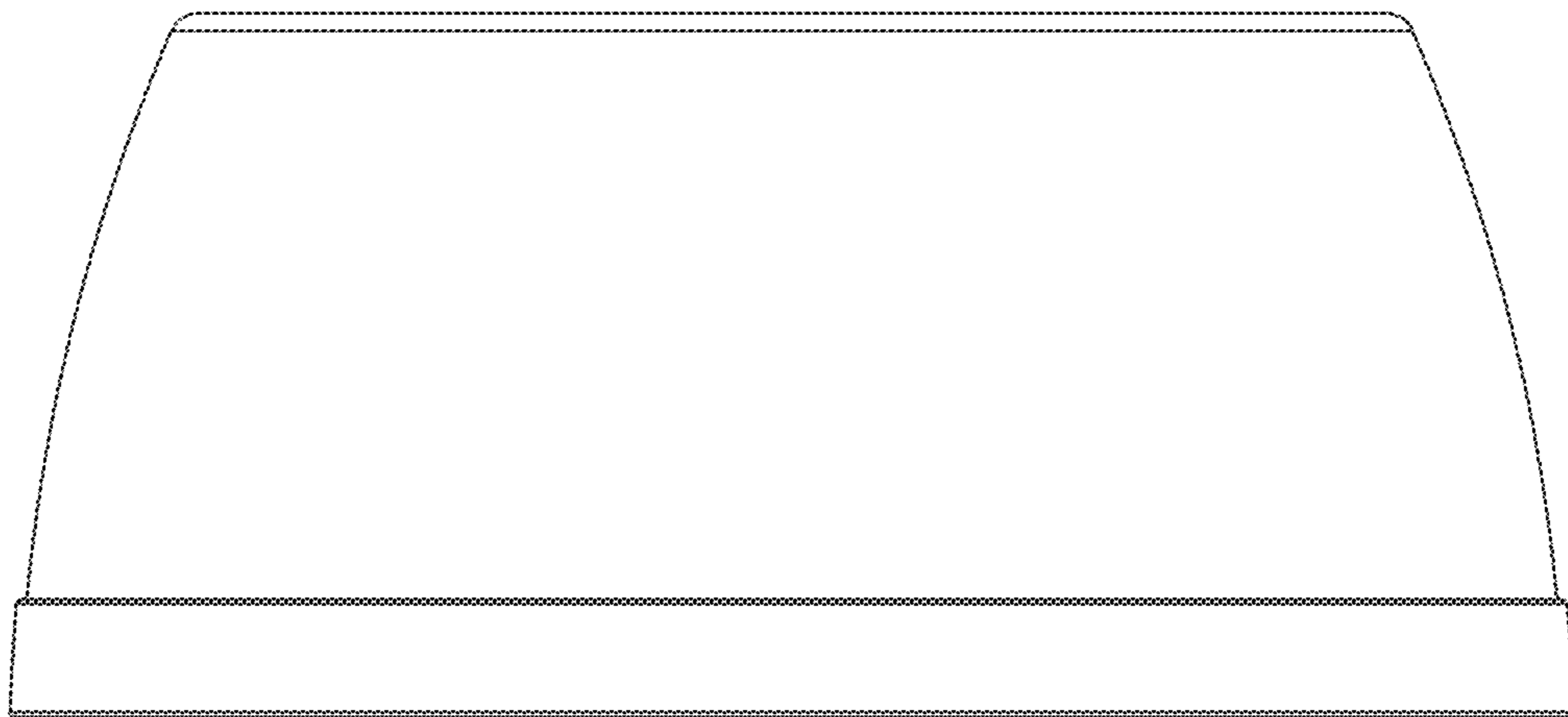


FIG. 3

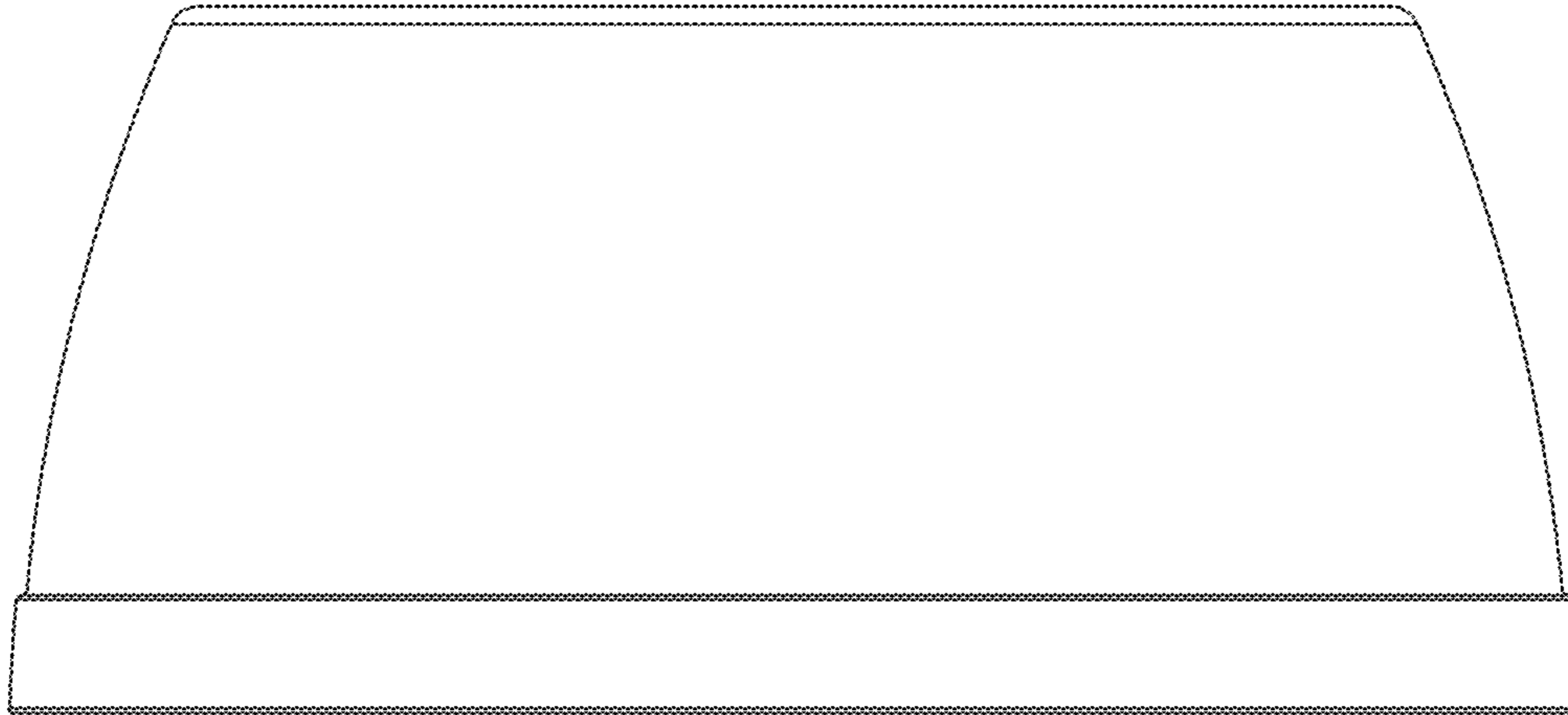


FIG. 4

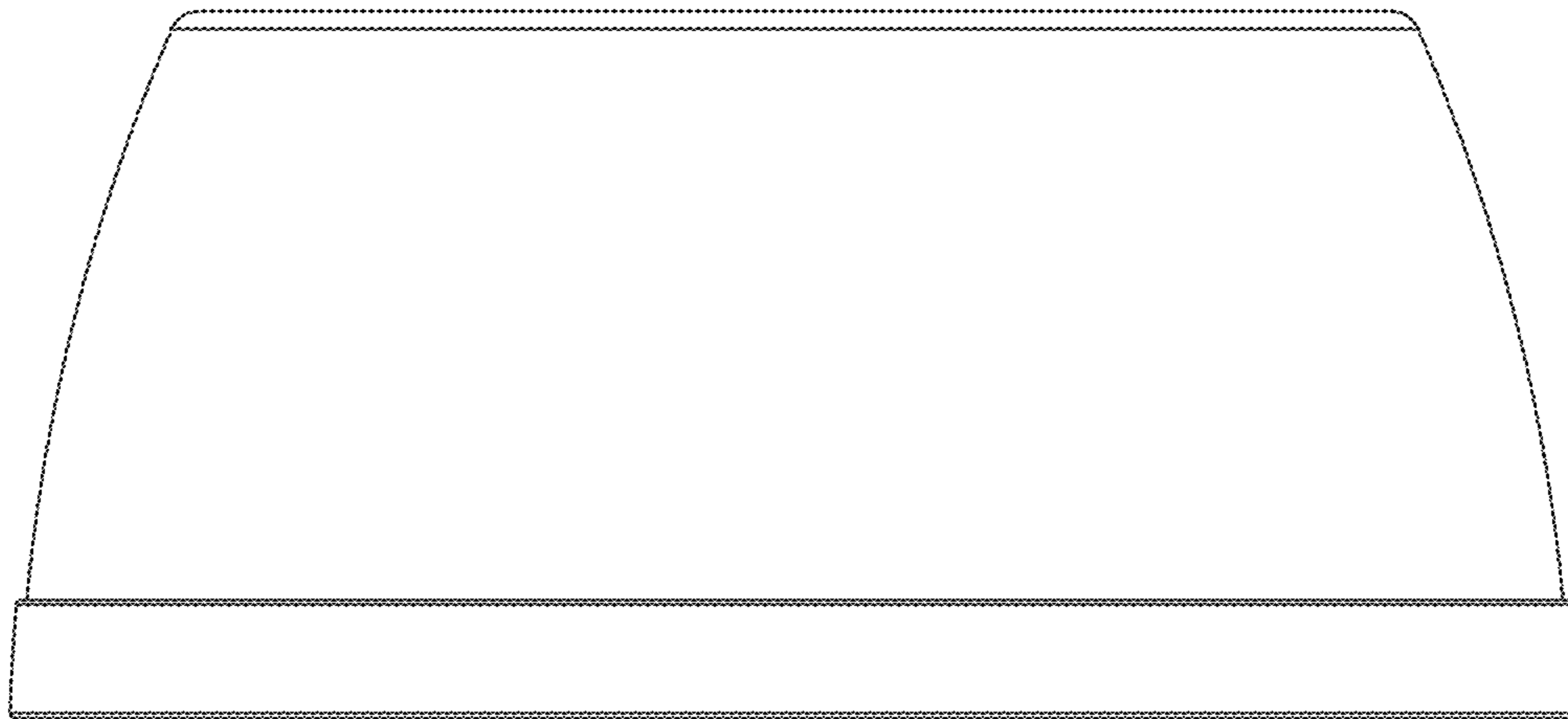


FIG. 5

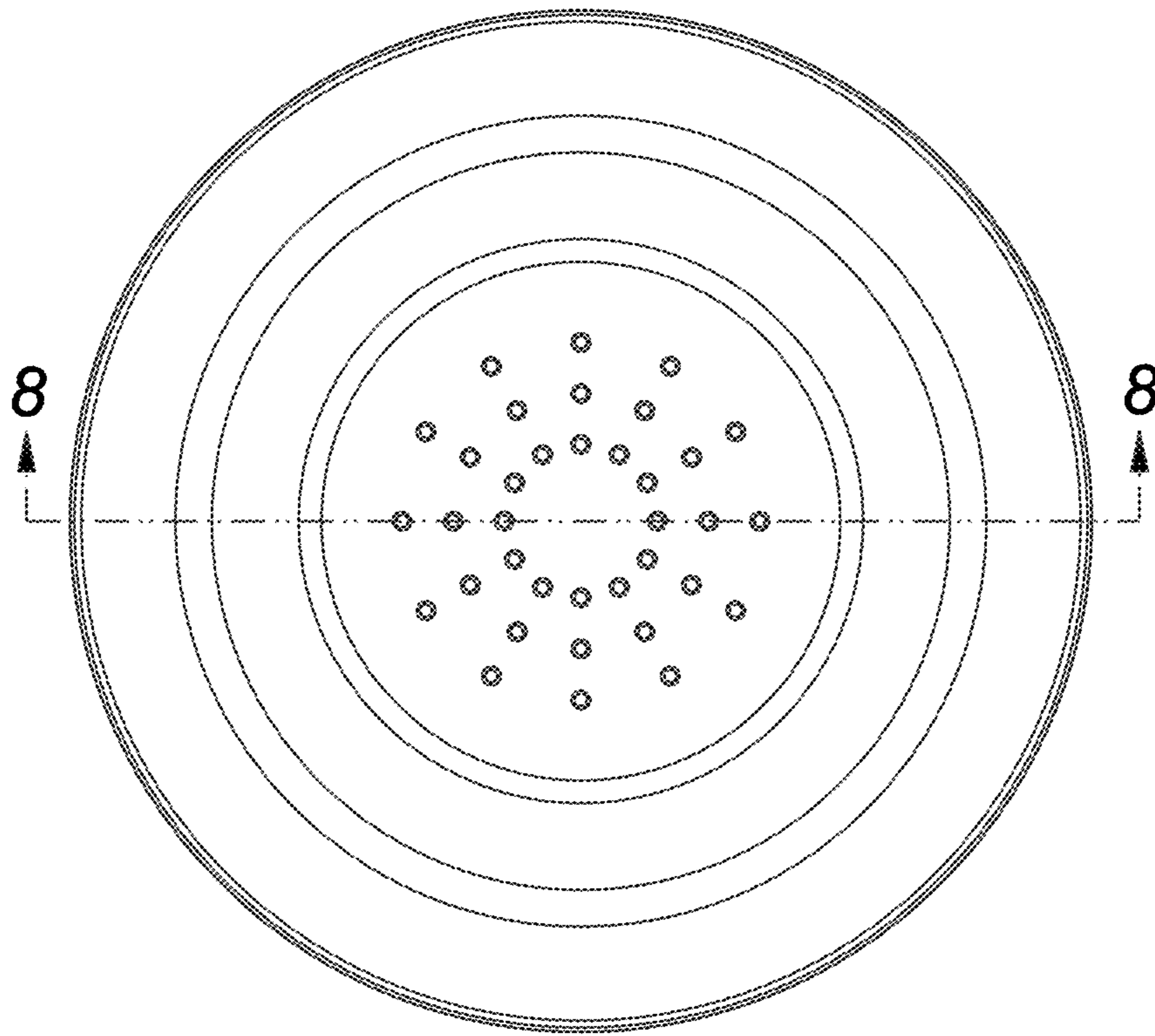


FIG. 6

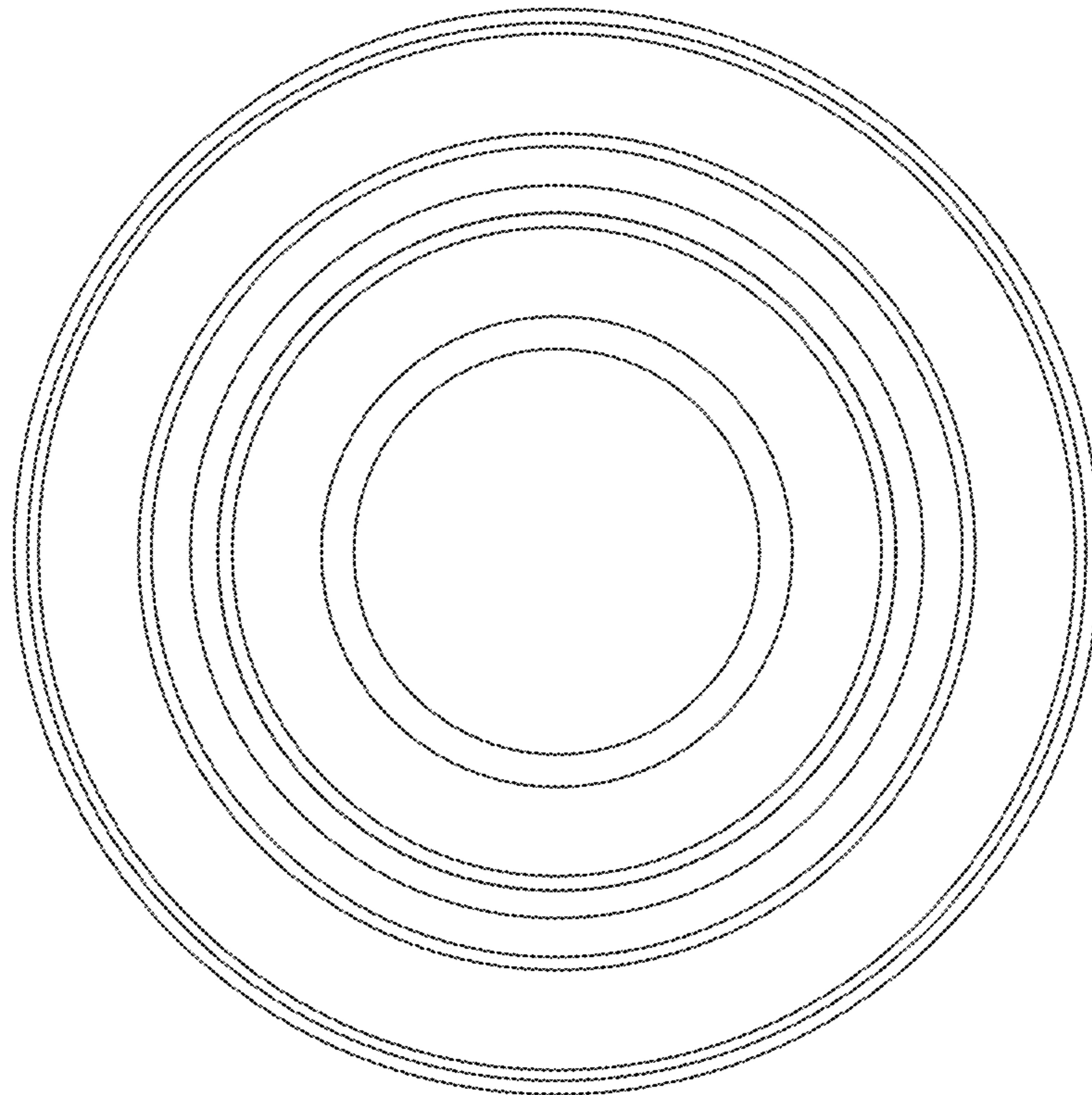


FIG. 7

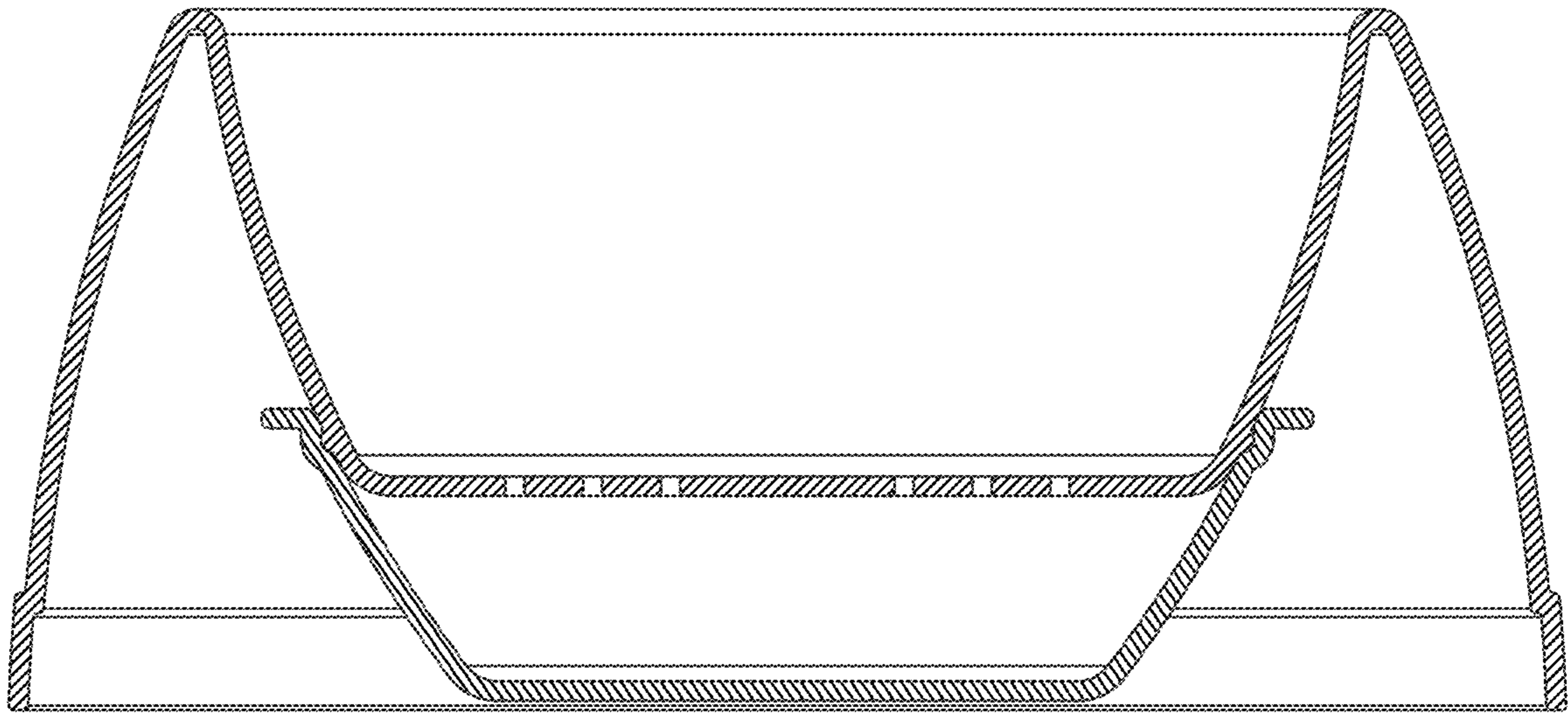


FIG. 8

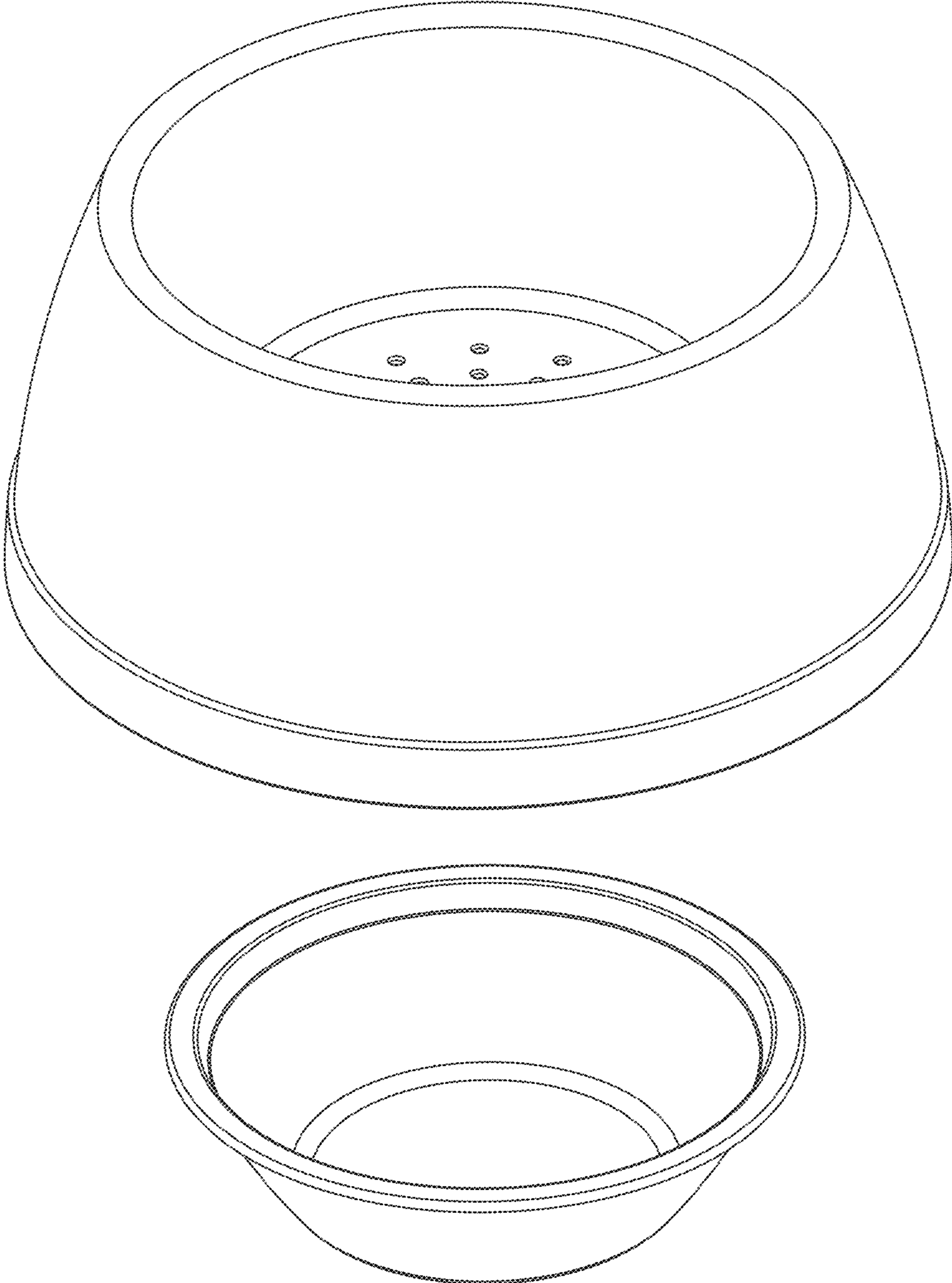


FIG. 9

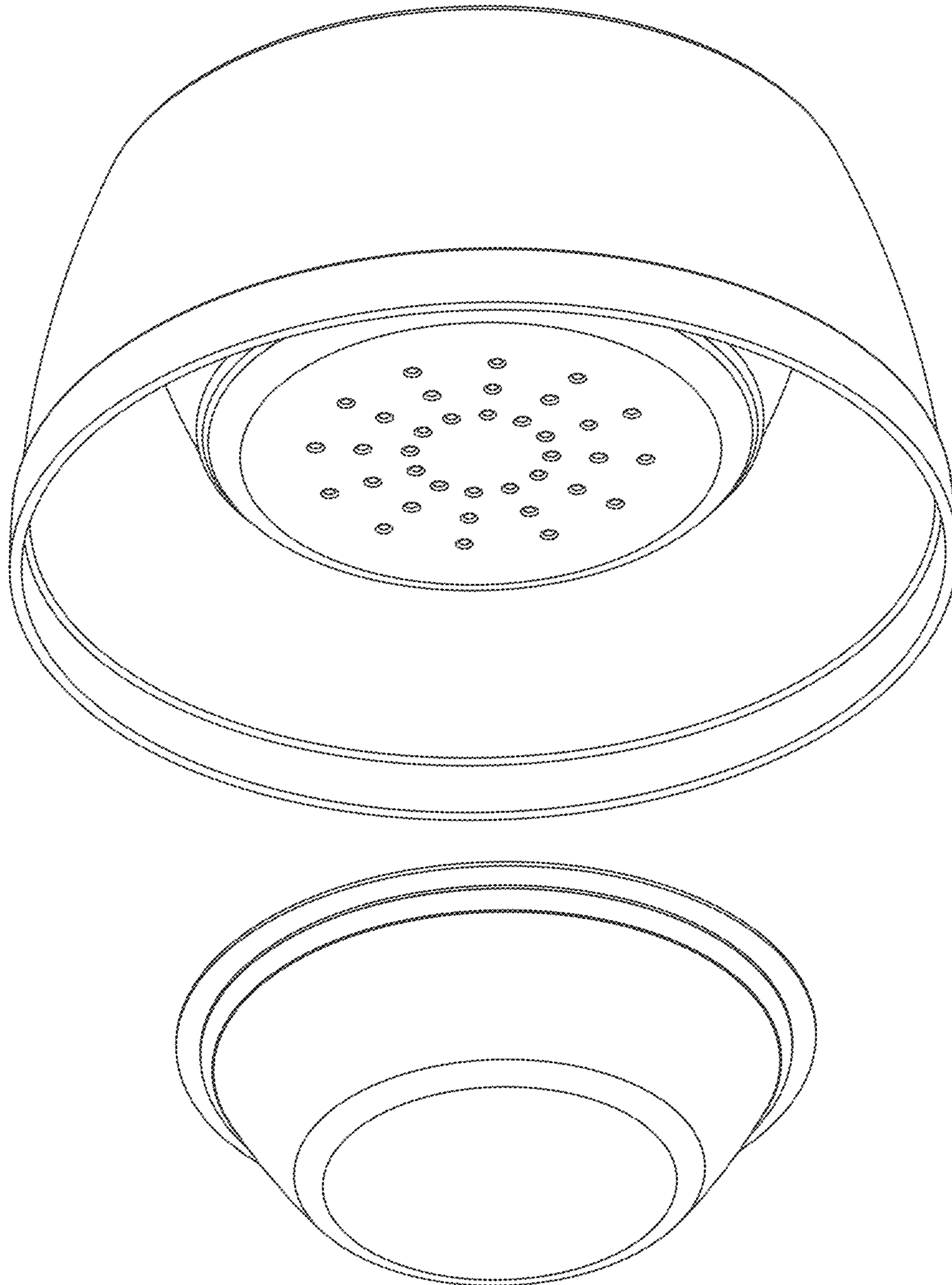


FIG. 10