



US00D894497S

(12) **United States Design Patent**
Twining

(10) **Patent No.:** **US D894,497 S**

(45) **Date of Patent:** **** Aug. 25, 2020**

(54) **COUCH SAVER PET BED**

(71) Applicant: **Ronald F. Twining**, Dripping Springs,
TX (US)

(72) Inventor: **Ronald F. Twining**, Dripping Springs,
TX (US)

(**) Term: **15 Years**

(21) Appl. No.: **29/669,129**

(22) Filed: **Nov. 6, 2018**

(51) **LOC (12) Cl.** **30-01**

(52) **U.S. Cl.**
USPC **D30/118**

(58) **Field of Classification Search**
USPC D30/108, 112, 117-120, 129-130;
D6/333, 334, 349, 371, 378, 381-383,
D6/388, 390, 393, 395, 595, 596, 598,
D6/601-604, 606, 609, 715.2; D21/803,
D21/809; 119/526

CPC .. A01K 1/0272; A01K 1/0281; A01K 1/0353;
A47G 9/06

See application file for complete search history.

(56) **References Cited**

U.S. PATENT DOCUMENTS

D295,904 S * 5/1988 McMahon D30/118
D309,200 S * 7/1990 McMahon D30/118
D314,252 S * 1/1991 Horne D30/118

D351,687 S * 10/1994 McMahon D30/118
D392,775 S * 3/1998 McMahon D30/118
D414,003 S * 9/1999 Hering D30/118
D427,731 S * 7/2000 Copple D30/118
D450,470 S * 11/2001 Perez D6/381
D535,063 S * 1/2007 Green D30/118
D542,478 S * 5/2007 Andriola D30/118
D567,456 S * 4/2008 Martin D30/118
D588,390 S * 3/2009 Brill-Cass D6/596
D680,769 S * 4/2013 Versace D6/371
D736,480 S * 8/2015 Diskin D30/118

* cited by examiner

Primary Examiner — Sandra S Snapp

Assistant Examiner — Mehri Bajoul

(74) *Attorney, Agent, or Firm* — Douglas Baldwin

(57) **CLAIM**

The ornamental design for a couch saver pet bed, as shown and described.

DESCRIPTION

FIG. 1 is a front view of the couch saver pet bed showing my new design;

FIG. 2 is a rear elevational view thereof;

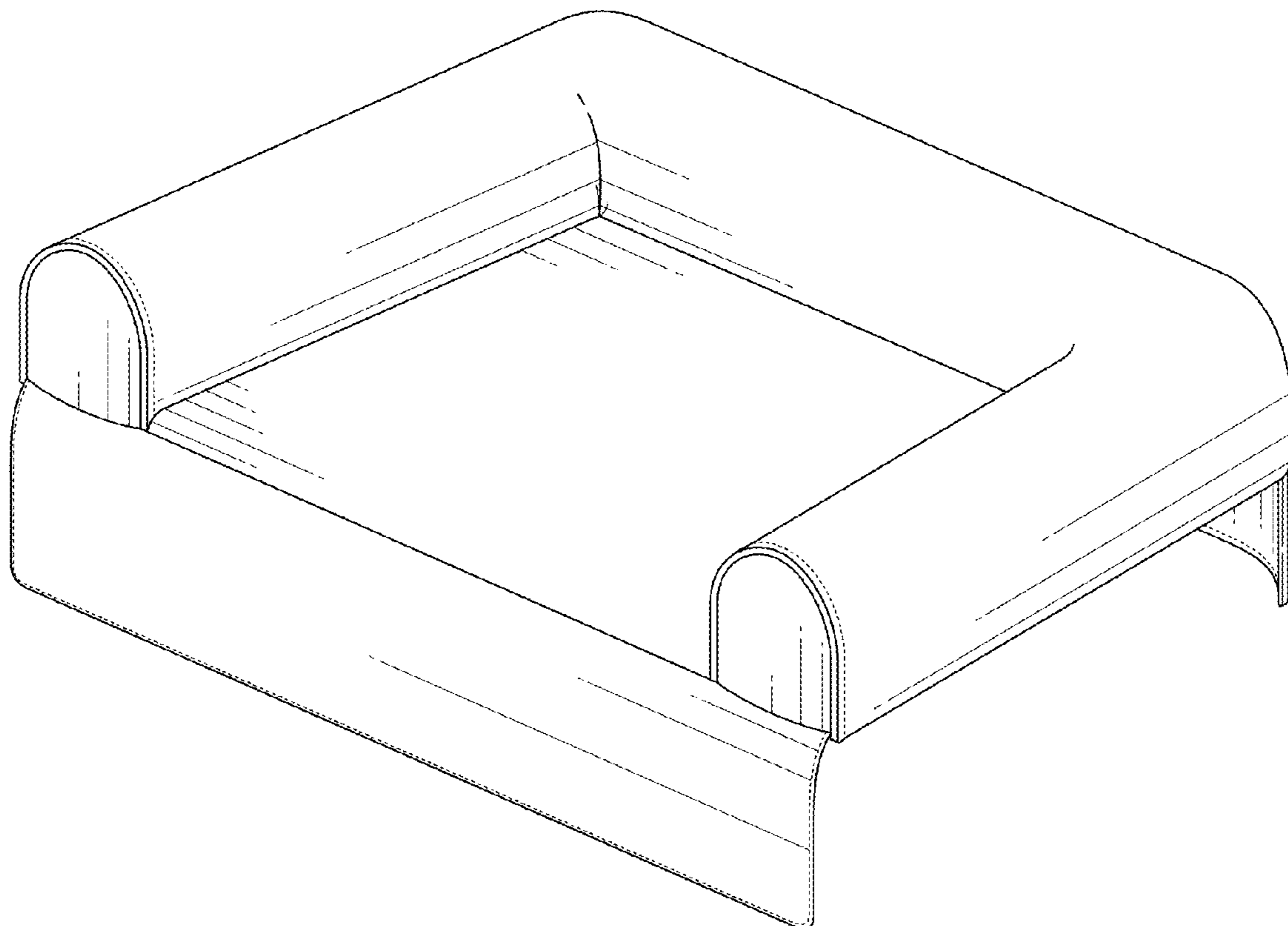
FIG. 3 is a top plan view thereof;

FIG. 4 is a bottom plan view thereof; and,

FIG. 5 is a perspective view thereof.

The broken lines in FIGS. 1-5 depict portions of the couch saver pet bed that form no part of the claim.

1 Claim, 3 Drawing Sheets



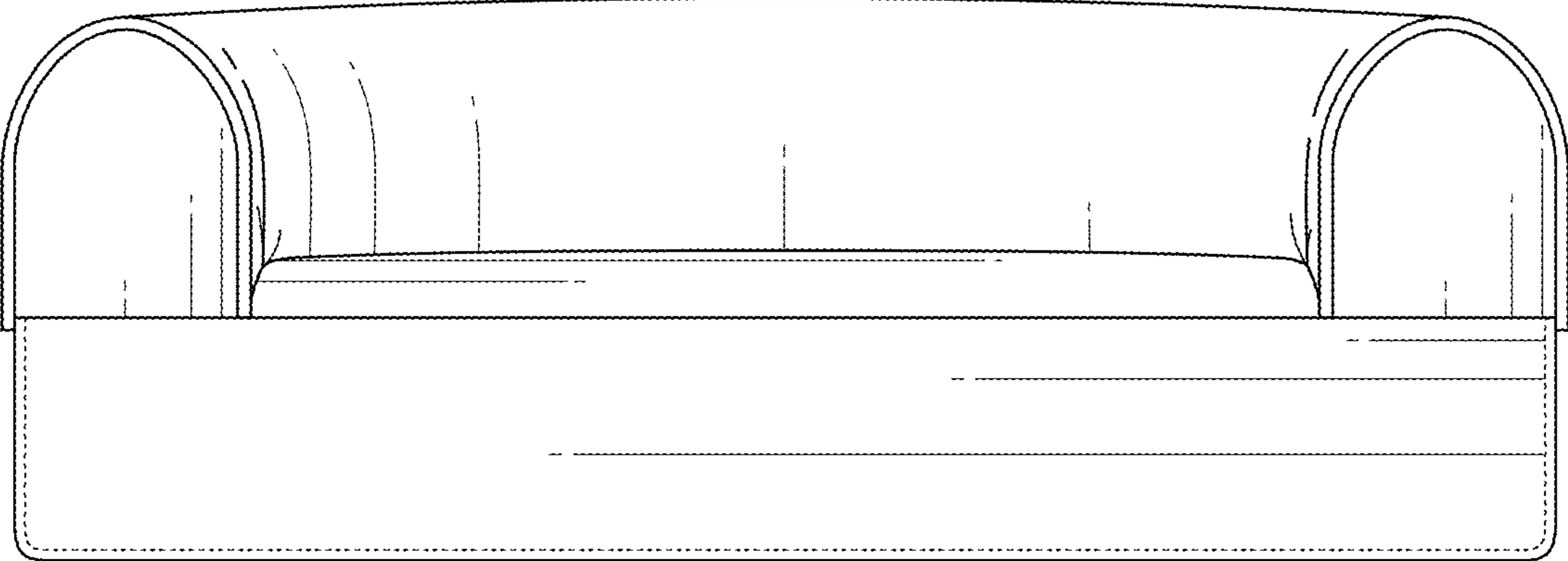


FIG. 1

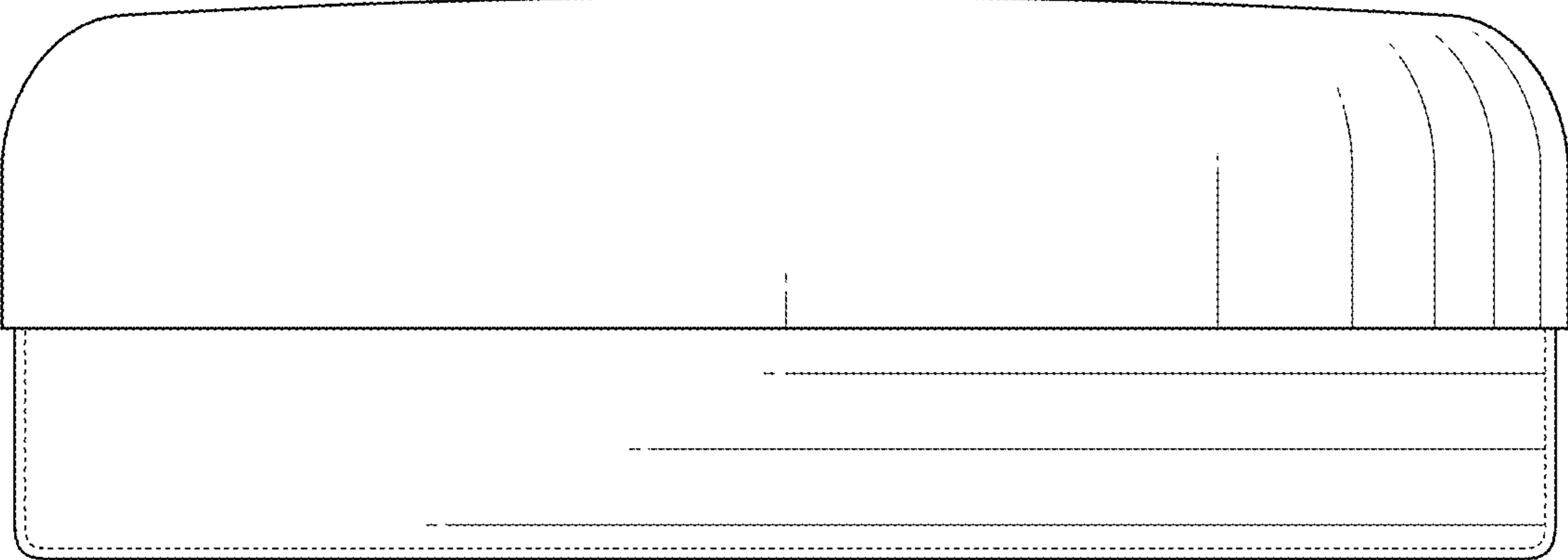


FIG. 2

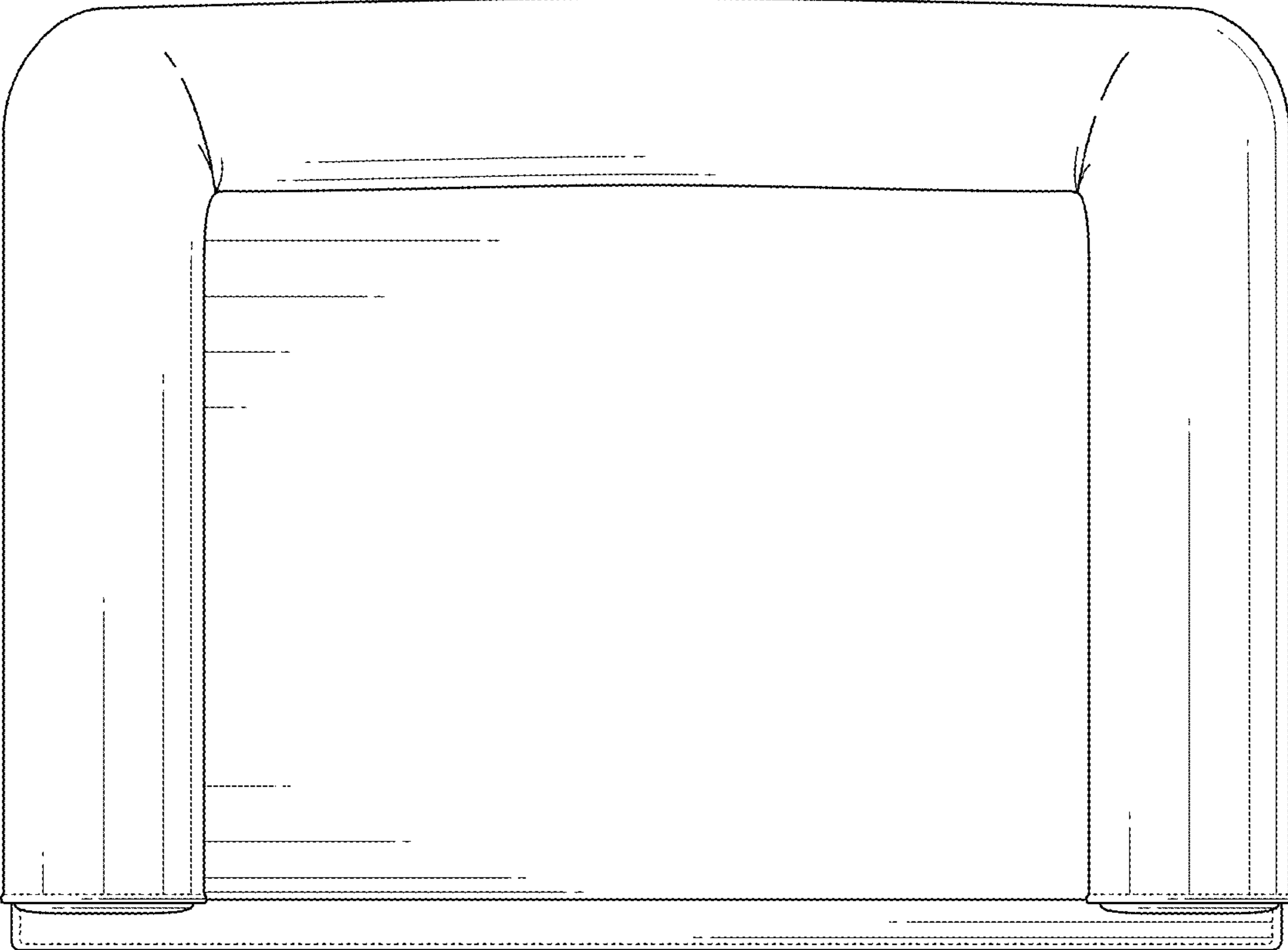


FIG. 3

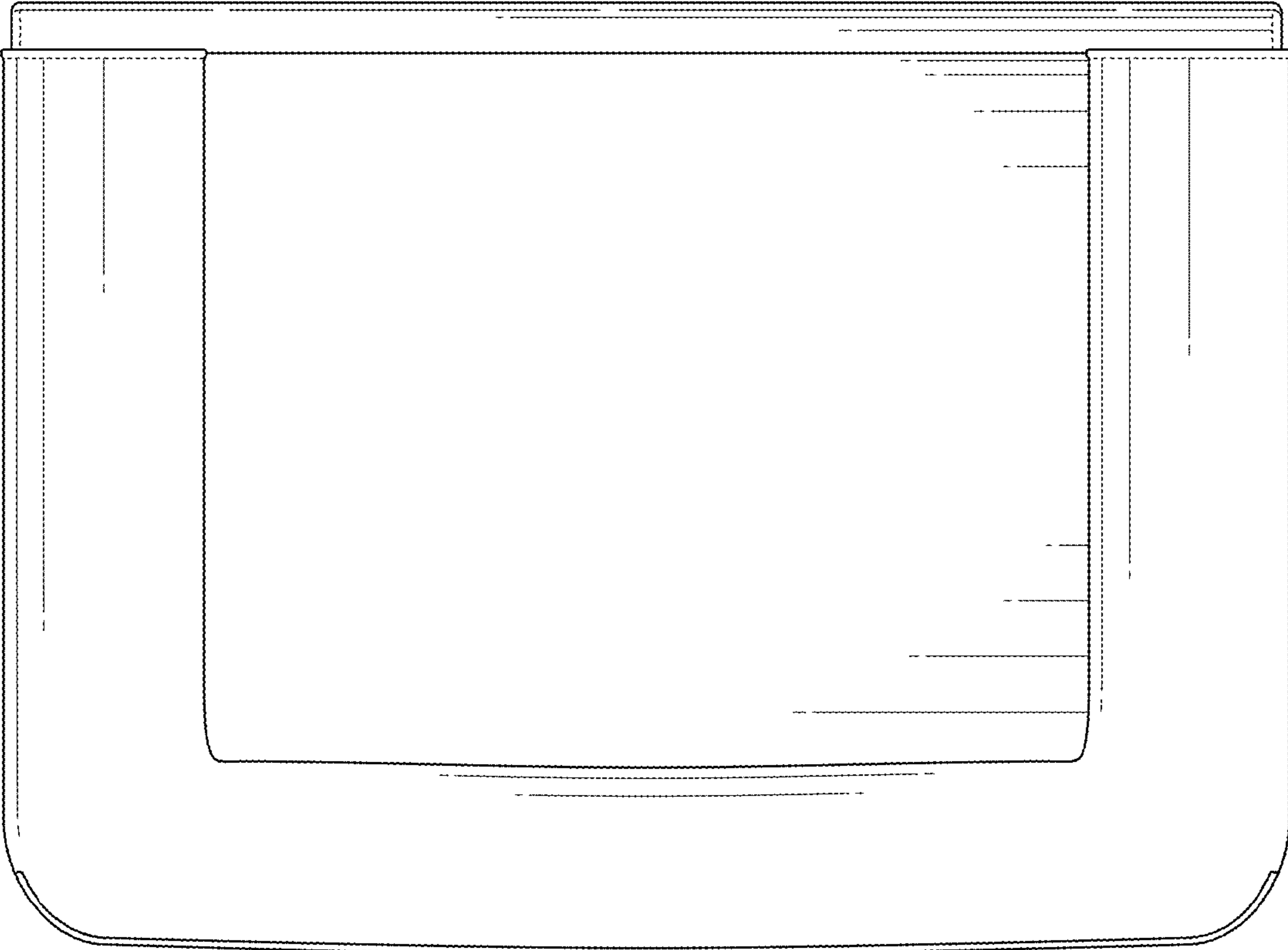


FIG. 4

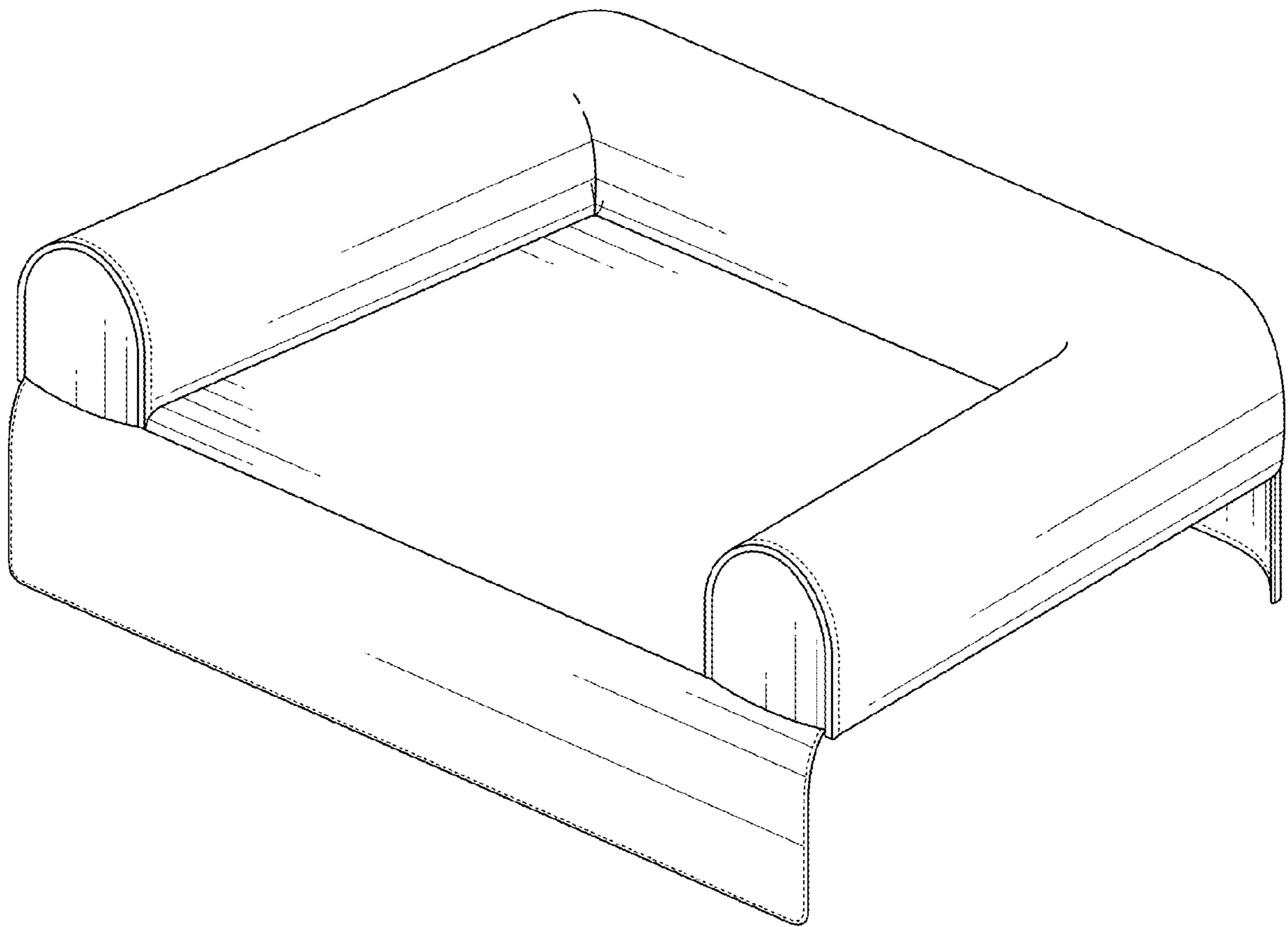


FIG. 5