



US00D894495S

(12) **United States Design Patent** (10) **Patent No.:** **US D894,495 S**  
**Xie** (45) **Date of Patent:** **\*\* Aug. 25, 2020**

(54) **MASK**  
(71) Applicant: **Hancheng Xie**, Changsha (CN)  
(72) Inventor: **Hancheng Xie**, Changsha (CN)  
(\*\*) Term: **15 Years**  
(21) Appl. No.: **29/711,683**  
(22) Filed: **Nov. 1, 2019**  
(51) **LOC (12) Cl.** ..... **29-02**  
(52) **U.S. Cl.**  
USPC ..... **D29/108**  
(58) **Field of Classification Search**  
USPC ..... D29/100, 102, 105, 106, 107, 108, 110,  
D29/122; D2/878, 880, 881; D24/110.1;  
D11/117, 121, 125, 127, 128, 131, 132,  
D11/133, 134, 136, 157, 158, 160  
CPC .... A42B 5/00; A42B 3/18; A42B 3/20; A42B  
1/046; A63B 71/08; A63B 71/10; A63B  
71/105; A61F 9/04; A61F 9/06; A61F  
9/029; A41D 13/11; A41D 13/1107;  
A41D 13/1161; A41D 13/1169; A41D  
13/1176; A41G 7/00; A41G 7/02  
See application file for complete search history.

(56) **References Cited**  
U.S. PATENT DOCUMENTS  
1,309,783 A \* 7/1919 Slawin ..... A41D 13/11  
2/206  
1,810,486 A \* 6/1931 Lancaster ..... A45D 44/22  
602/74  
2,716,981 A \* 9/1955 More ..... A45D 44/12  
604/303  
2,914,772 A \* 12/1959 Lemelson ..... A41G 7/00  
2/206  
3,211,146 A \* 10/1965 Rodelli ..... A61F 13/122  
604/303  
D229,375 S \* 11/1973 Beaudin ..... D29/108

4,657,010 A \* 4/1987 Wright ..... A61M 16/06  
128/205.25  
D293,829 S \* 1/1988 Johnston ..... D28/9  
D299,372 S \* 1/1989 Rhoden ..... D21/683  
D359,362 S \* 6/1995 Ruscitti ..... D24/231  
D365,859 S \* 1/1996 Choi ..... D21/660  
D460,572 S \* 7/2002 Lee ..... D11/121  
6,554,443 B2 \* 4/2003 Fan ..... F21S 9/02  
362/253  
6,869,200 B1 \* 3/2005 Graham ..... F21V 35/00  
362/122  
D515,937 S \* 2/2006 Bowling ..... D9/626  
D518,242 S \* 3/2006 Wright ..... D29/108  
D518,605 S \* 4/2006 Chen ..... D29/108  
D522,179 S \* 5/2006 Wright ..... D29/108  
D522,697 S \* 6/2006 Chen ..... D29/108

(Continued)

*Primary Examiner* — Elizabeth J Oswecki  
(74) *Attorney, Agent, or Firm* — ScienBiziP, P.C.

(57) **CLAIM**  
The ornamental design for a mask, as shown and described.

**DESCRIPTION**  
FIG. 1 is a top, front, right side perspective view of a mask, showing my new design;  
FIG. 2 is a bottom, rear, left side perspective view thereof;  
FIG. 3 is a front elevation view thereof;  
FIG. 4 is a rear elevation view thereof;  
FIG. 5 is a left side elevation view thereof;  
FIG. 6 is a right side elevation view thereof;  
FIG. 7 is a top plan view thereof;  
FIG. 8 is a bottom plan view thereof;  
FIG. 9 is an enlarged portion view labeled, “FIG. 9,” in FIG. 2; and,  
FIG. 10 is an enlarged portion view labeled, “FIG. 10,” in FIG. 5.  
The details shown in broken lines form no part of the claimed design.

**1 Claim, 10 Drawing Sheets**



(56)

**References Cited**

## U.S. PATENT DOCUMENTS

D529,234 S *	9/2006	Broersma .....	D29/108
D555,290 S *	11/2007	Wright .....	D29/108
D558,403 S *	12/2007	Lee .....	D29/108
D574,291 S *	8/2008	Liuzzi .....	D11/117
D587,408 S	2/2009	Leonardi	
D592,359 S	5/2009	McGovern et al.	
D596,803 S *	7/2009	Broersma .....	D29/107
D596,804 S *	7/2009	Broersma .....	D29/108
D602,154 S	10/2009	Ono et al.	
D630,383 S	1/2011	Broersma	
D641,934 S	7/2011	Anderson	
D654,633 S	2/2012	Anderson	
D734,896 S *	7/2015	Mam .....	D29/108
D743,110 S *	11/2015	Welborn .....	D29/108
D750,843 S *	3/2016	Welborn .....	D29/108
D763,515 S *	8/2016	Chang .....	D29/108
D770,688 S *	11/2016	Peluso .....	D29/108
D812,737 S	3/2018	Moulton et al.	
D826,477 S *	8/2018	Chen .....	D29/108
D826,478 S *	8/2018	Chen .....	D29/108
D849,330 S *	5/2019	Now .....	D29/108

\* cited by examiner



FIG. 1

FIG. 9

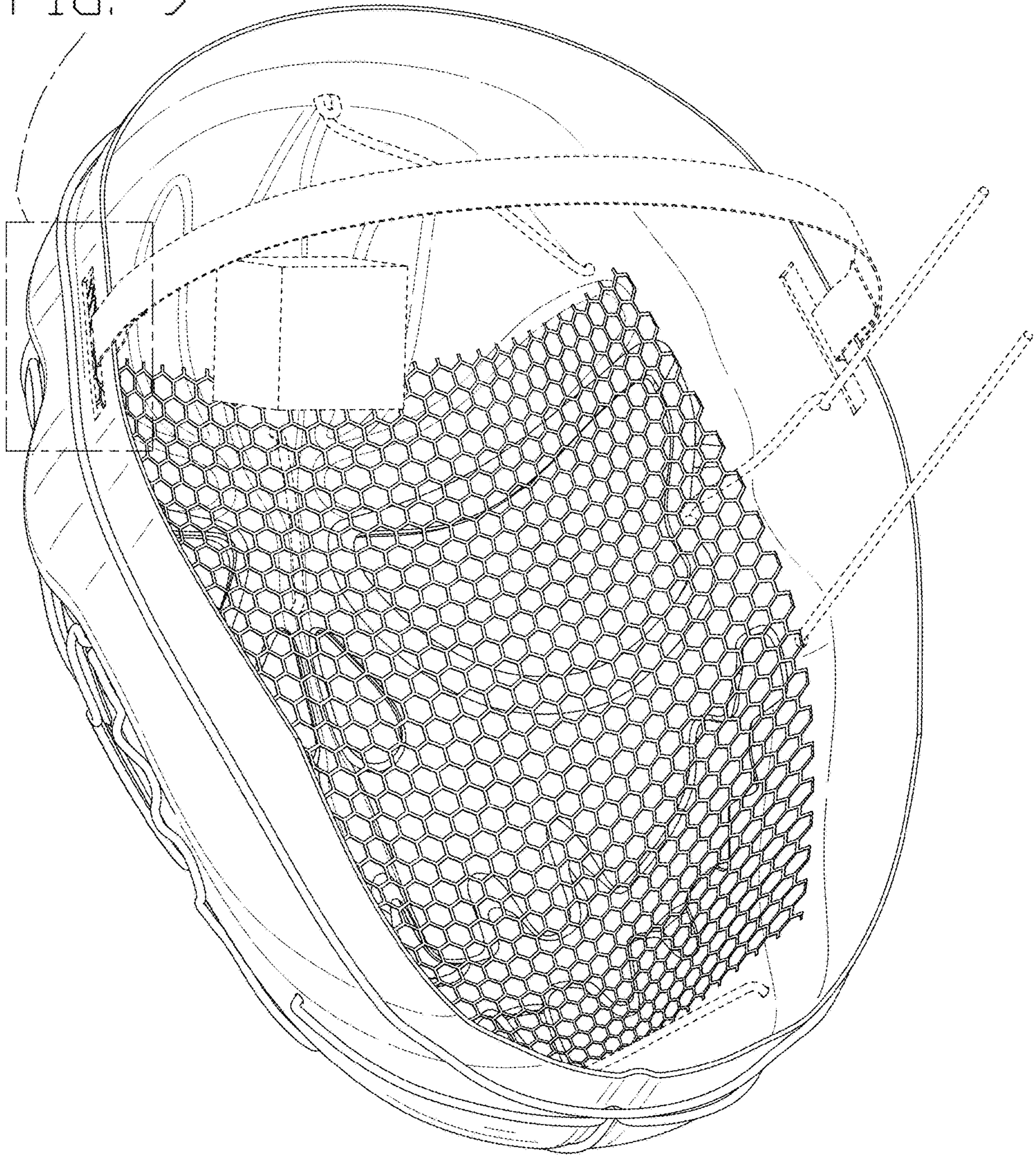


FIG. 2

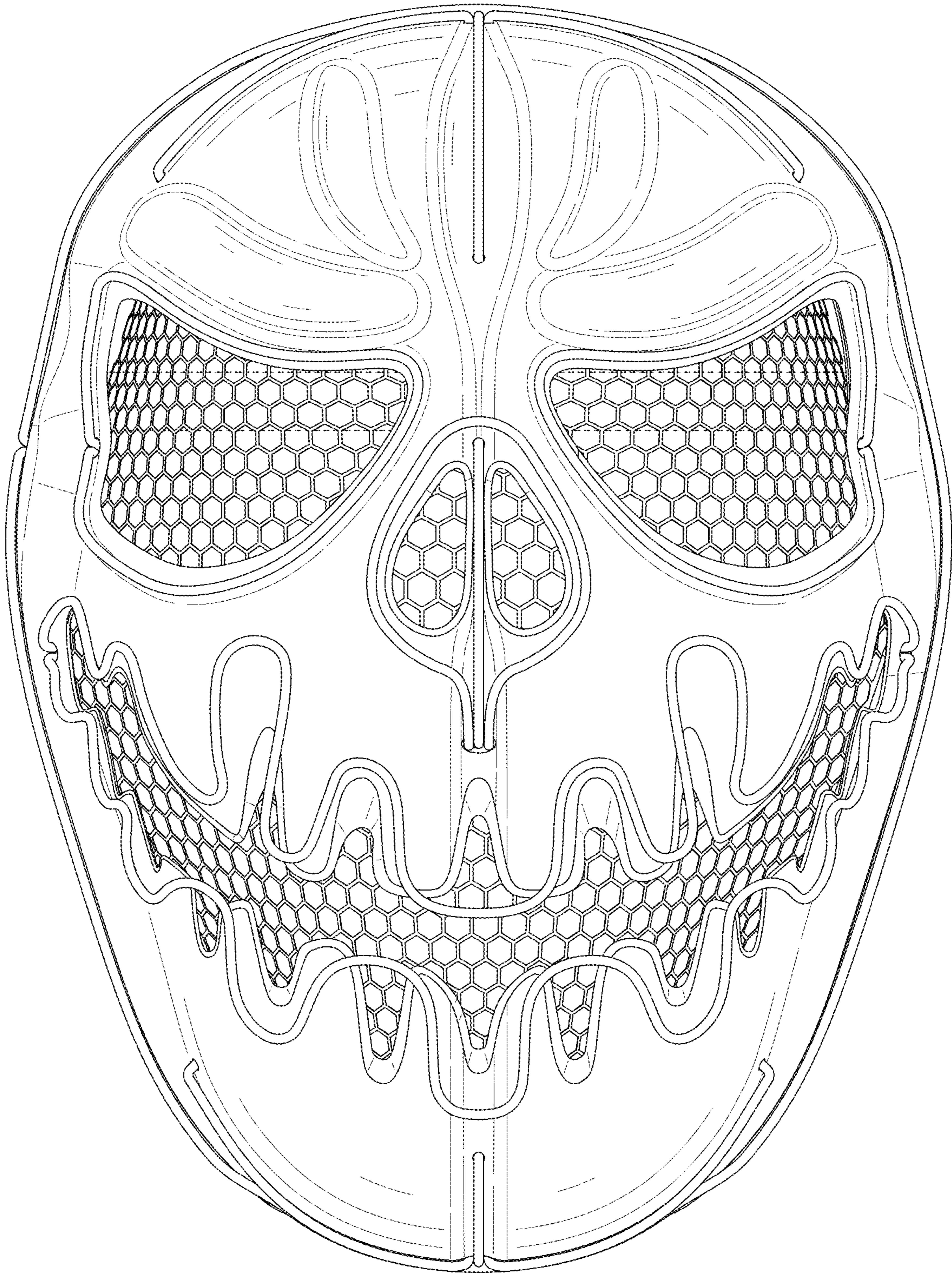


FIG. 3

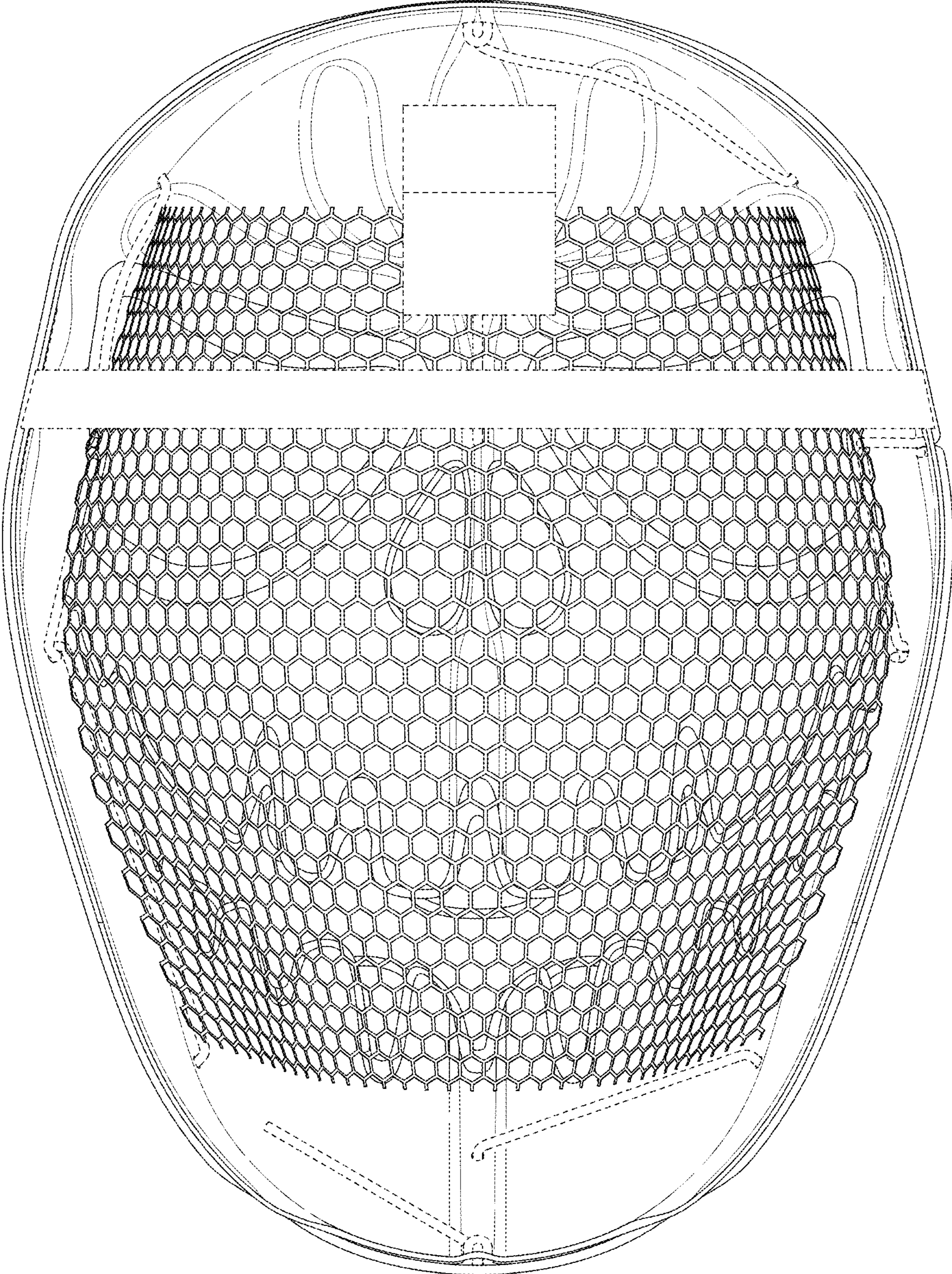
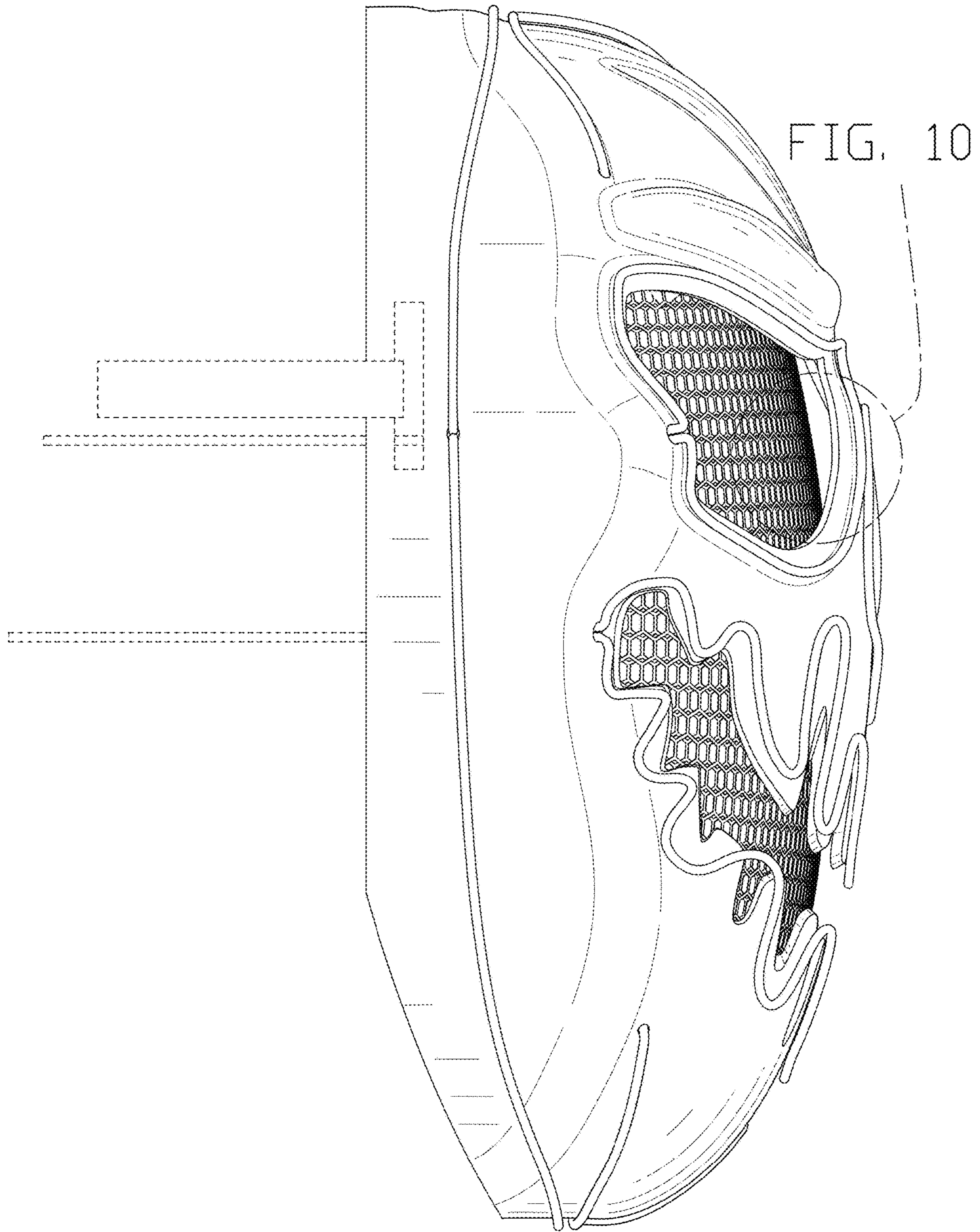


FIG. 4



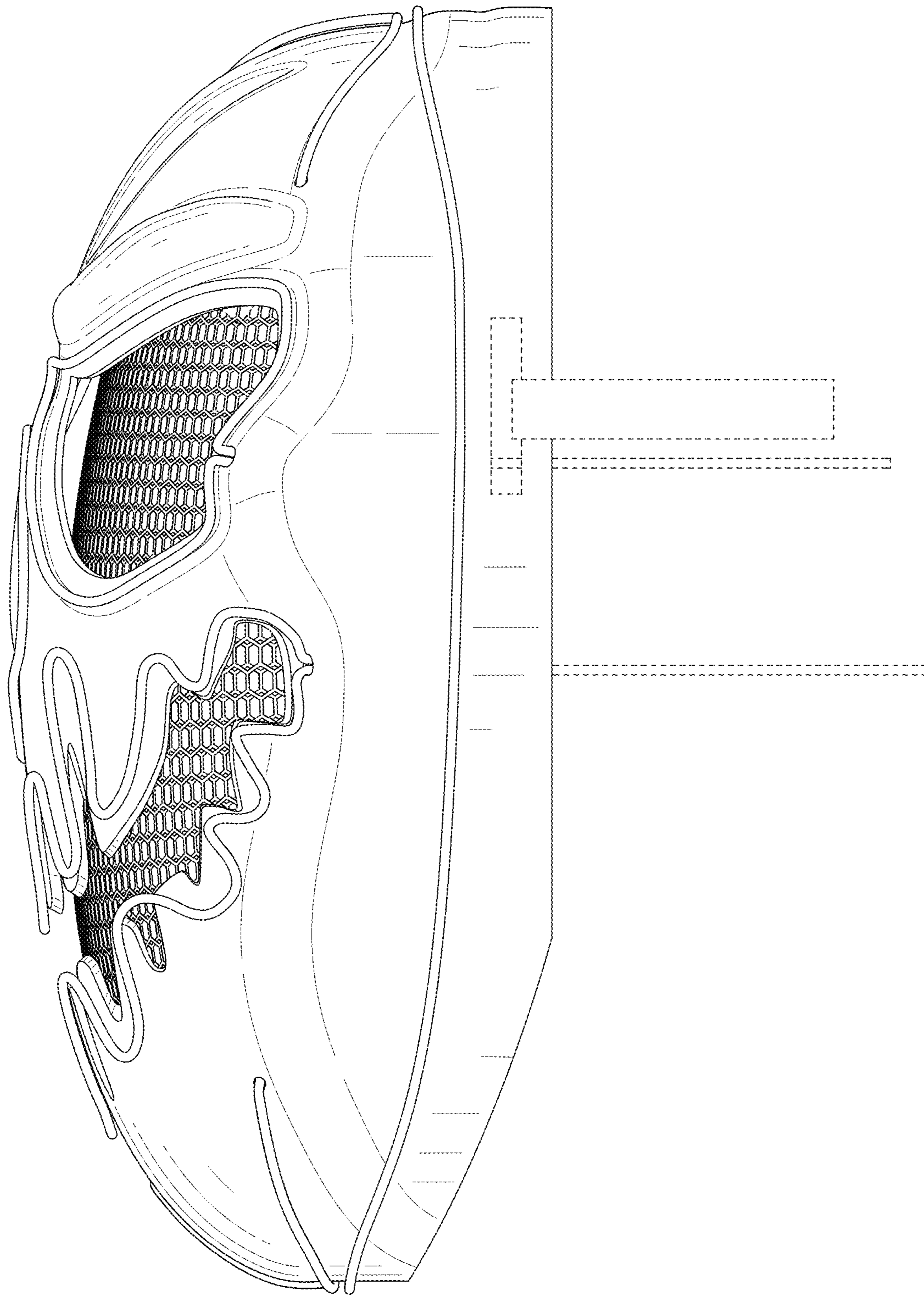


FIG. 6



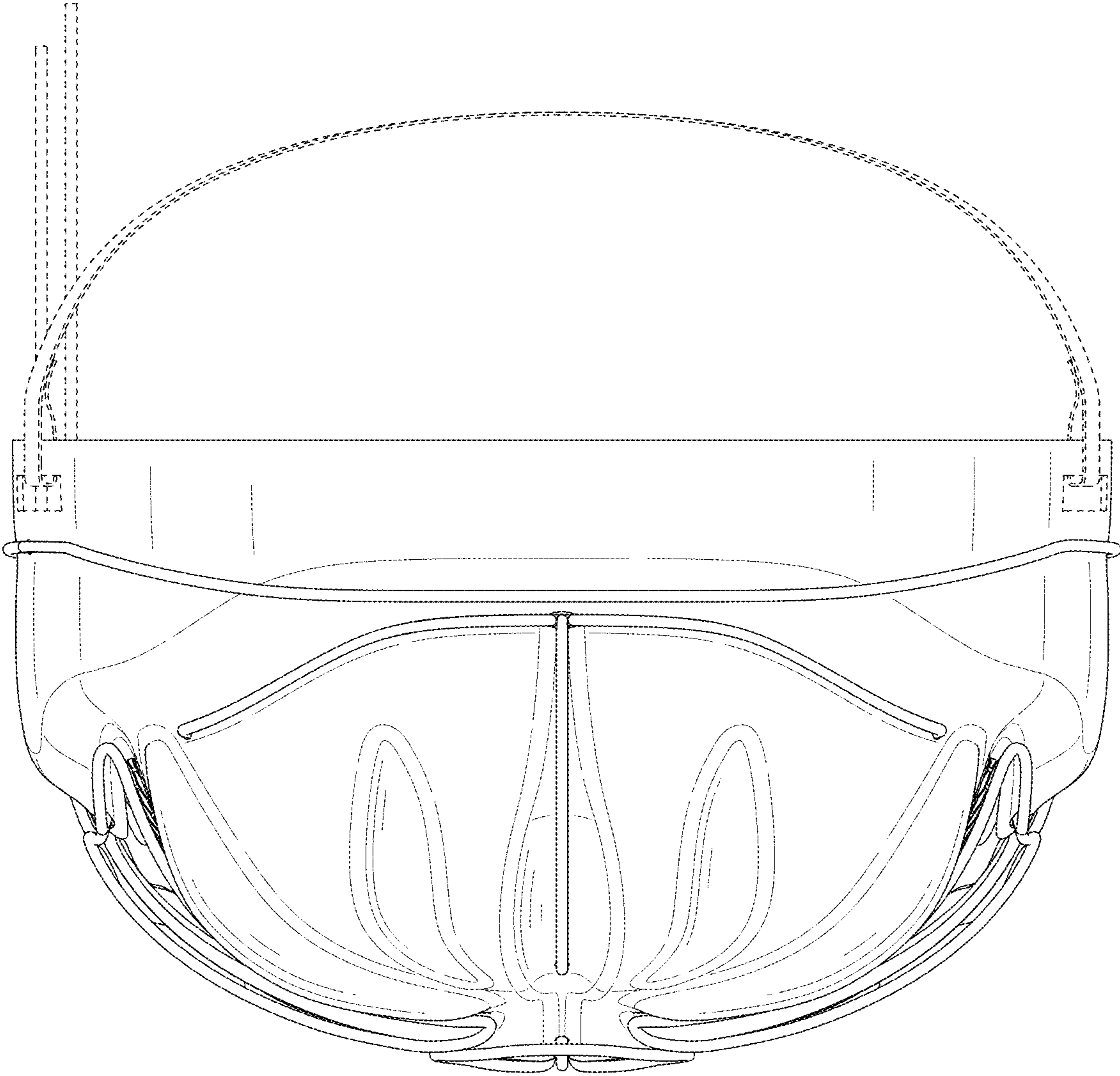


FIG. 7

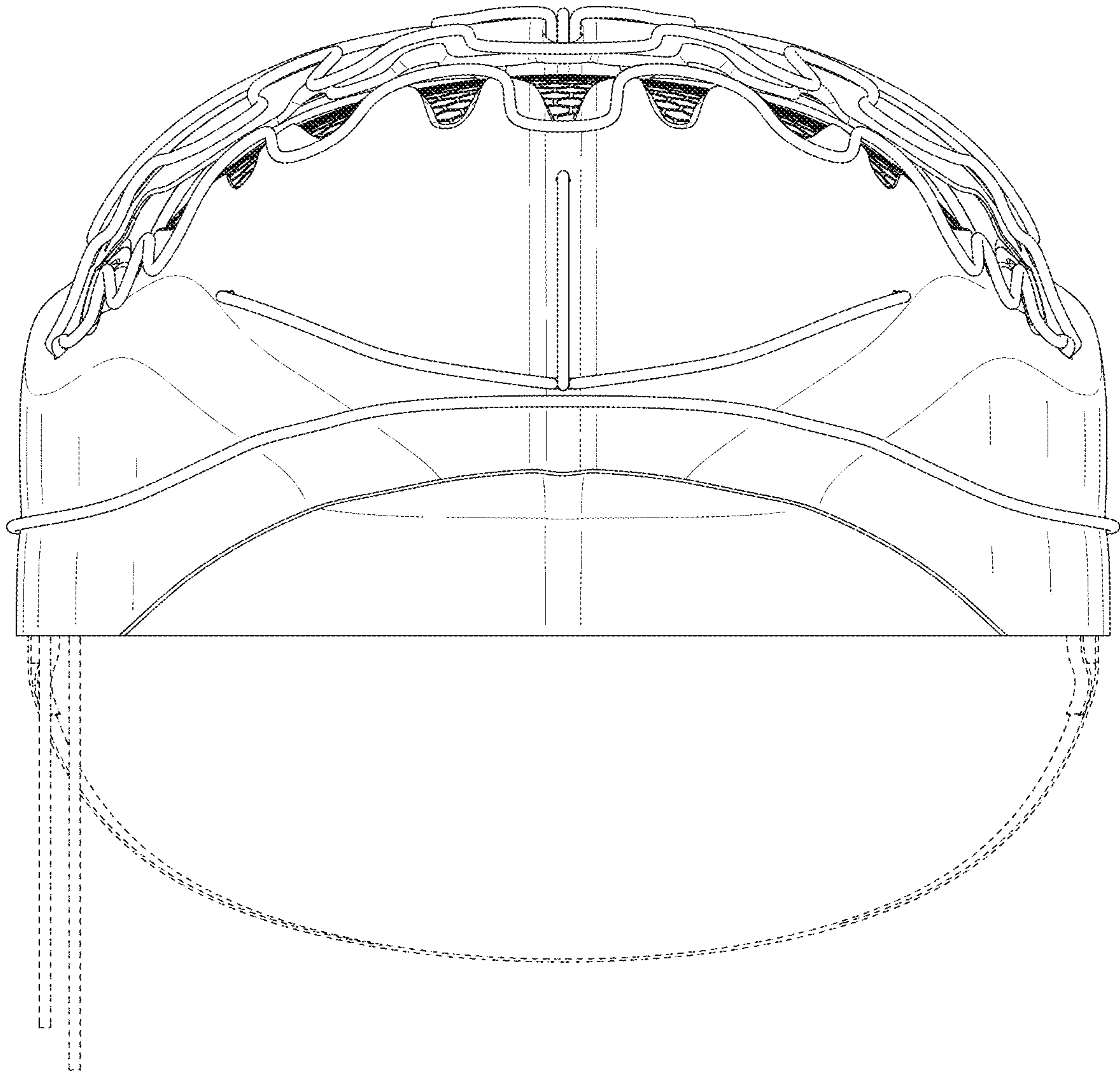


FIG. 8

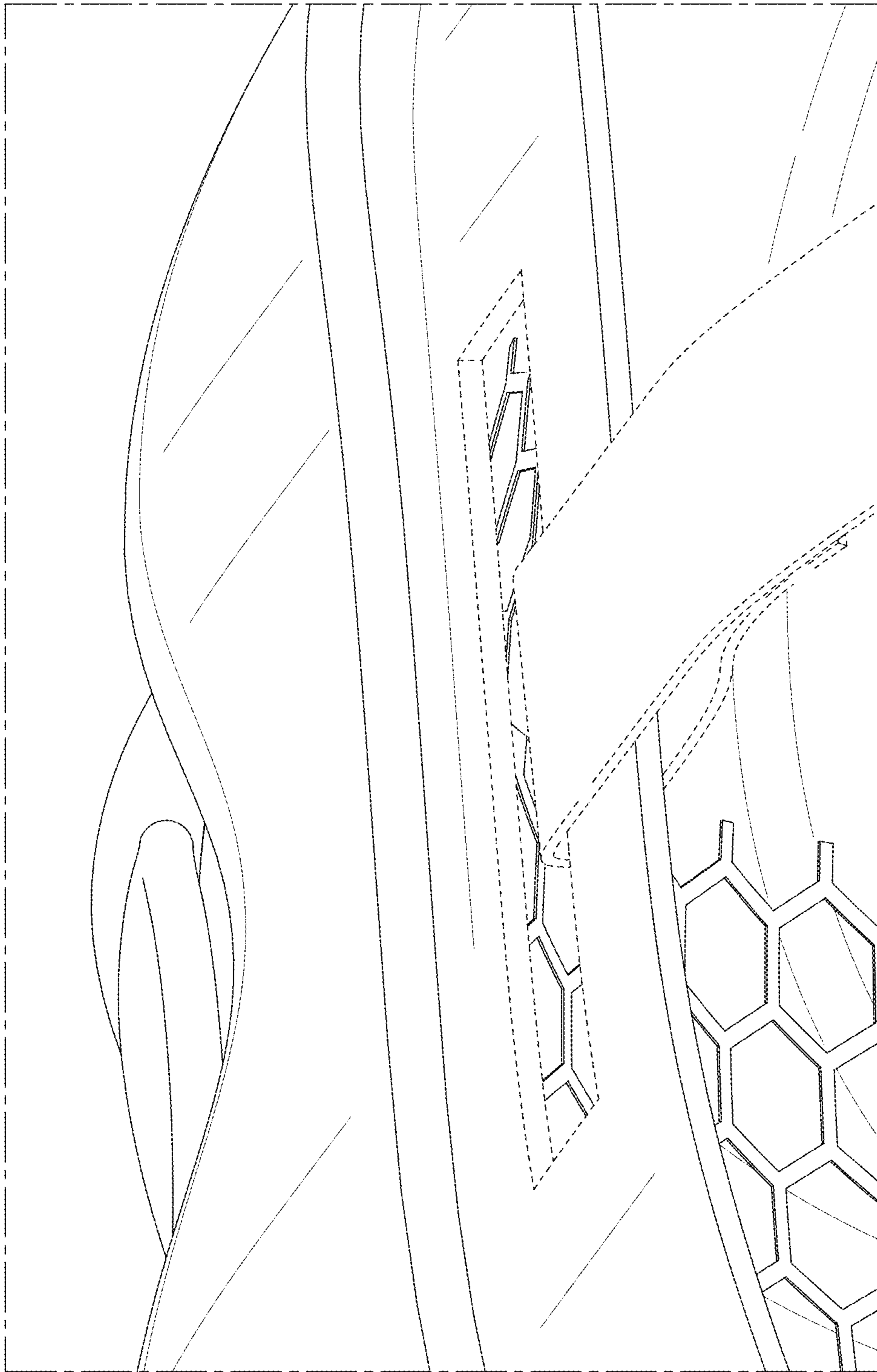


FIG. 9

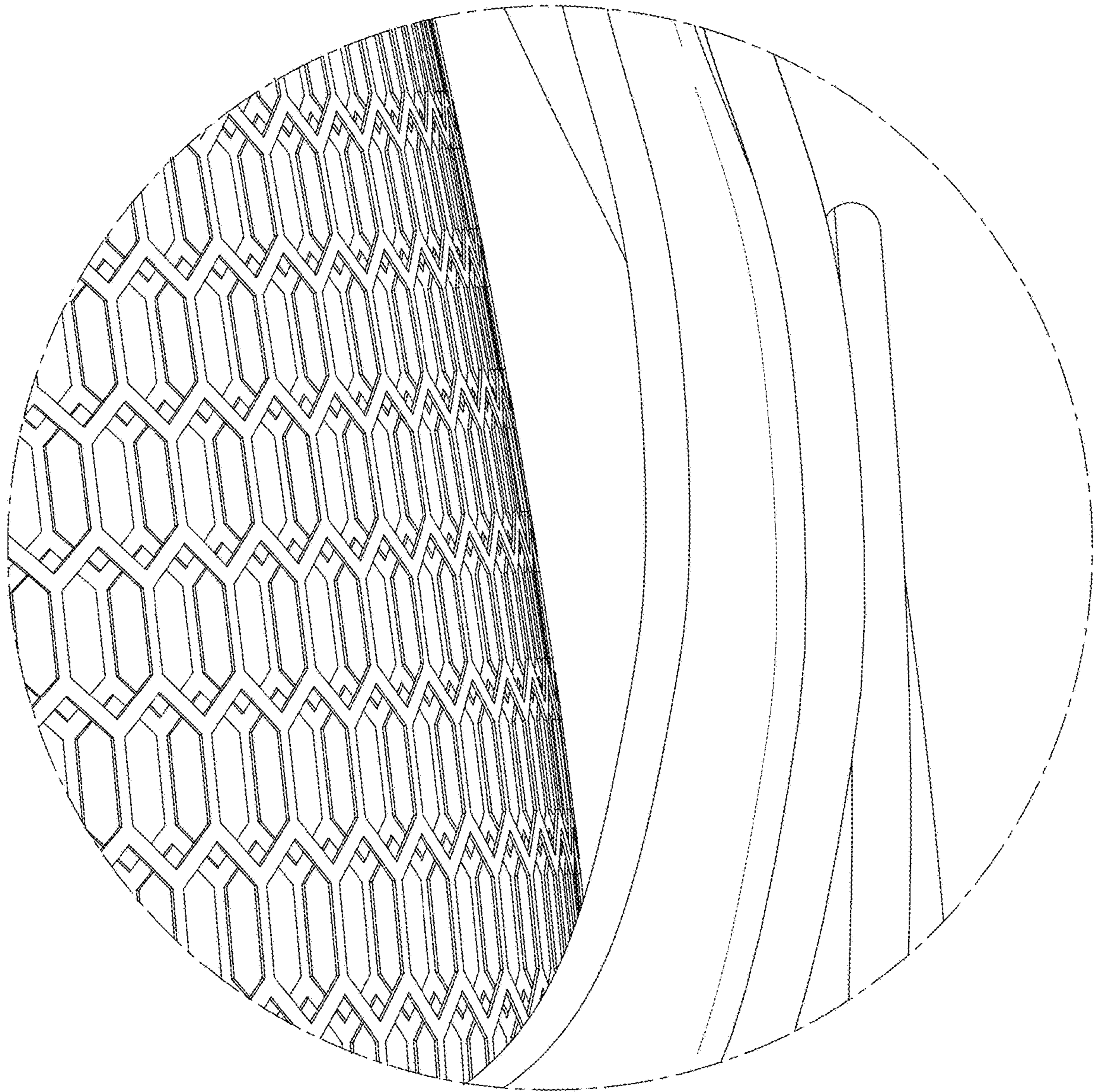


FIG. 10