



US00D894484S

(12) **United States Design Patent**
Huang

(10) **Patent No.:** **US D894,484 S**

(45) **Date of Patent:** **** Aug. 25, 2020**

(54) **HAIR DRYER**

(71) Applicant: **GUANGDONG HUANENGDA
ELECTRONIC APPLIANCES CO.,
LTD, Jieyang (CN)**

(72) Inventor: **Huaqun Huang, Jieyang (CN)**

(73) Assignee: **GUANGDONG HUANENGDA
ELECTRONIC APPLIANCES CO.,
LTD, Jieyang (CN)**

(**) Term: **15 Years**

(21) Appl. No.: **29/735,126**

(22) Filed: **May 19, 2020**

(51) **LOC (12) Cl.** **28-03**

(52) **U.S. Cl.**
USPC **D28/13**

(58) **Field of Classification Search**
USPC D28/12-19
CPC A45D 20/04; A45D 20/06; A45D 20/08;
A45D 20/10; A45D 20/128
See application file for complete search history.

(56) **References Cited**

U.S. PATENT DOCUMENTS

D248,048 S	*	5/1978	Cousins	D28/13
D250,722 S	*	1/1979	Cousins	D28/13
D253,012 S	*	9/1979	Rakocy	D28/13
D257,492 S	*	11/1980	Cousins	D28/13

D262,060 S	*	11/1981	Nagelkerke	D28/13
D262,061 S	*	11/1981	Janssens	D28/13
D262,062 S	*	11/1981	Nagelkerke	D28/13
D265,767 S	*	8/1982	Stewart	D28/13
D299,874 S	*	2/1989	Yamagami	D28/13
D301,231 S	*	5/1989	Yoshiharu	D14/147
D345,042 S	*	3/1994	Montagnino	D28/13
D425,662 S	*	5/2000	Cheung	D28/13
6,393,718 B1		5/2002	Harris		
2018/0220767 A1		8/2018	Molayev		

* cited by examiner

Primary Examiner — Zenia I Bennett

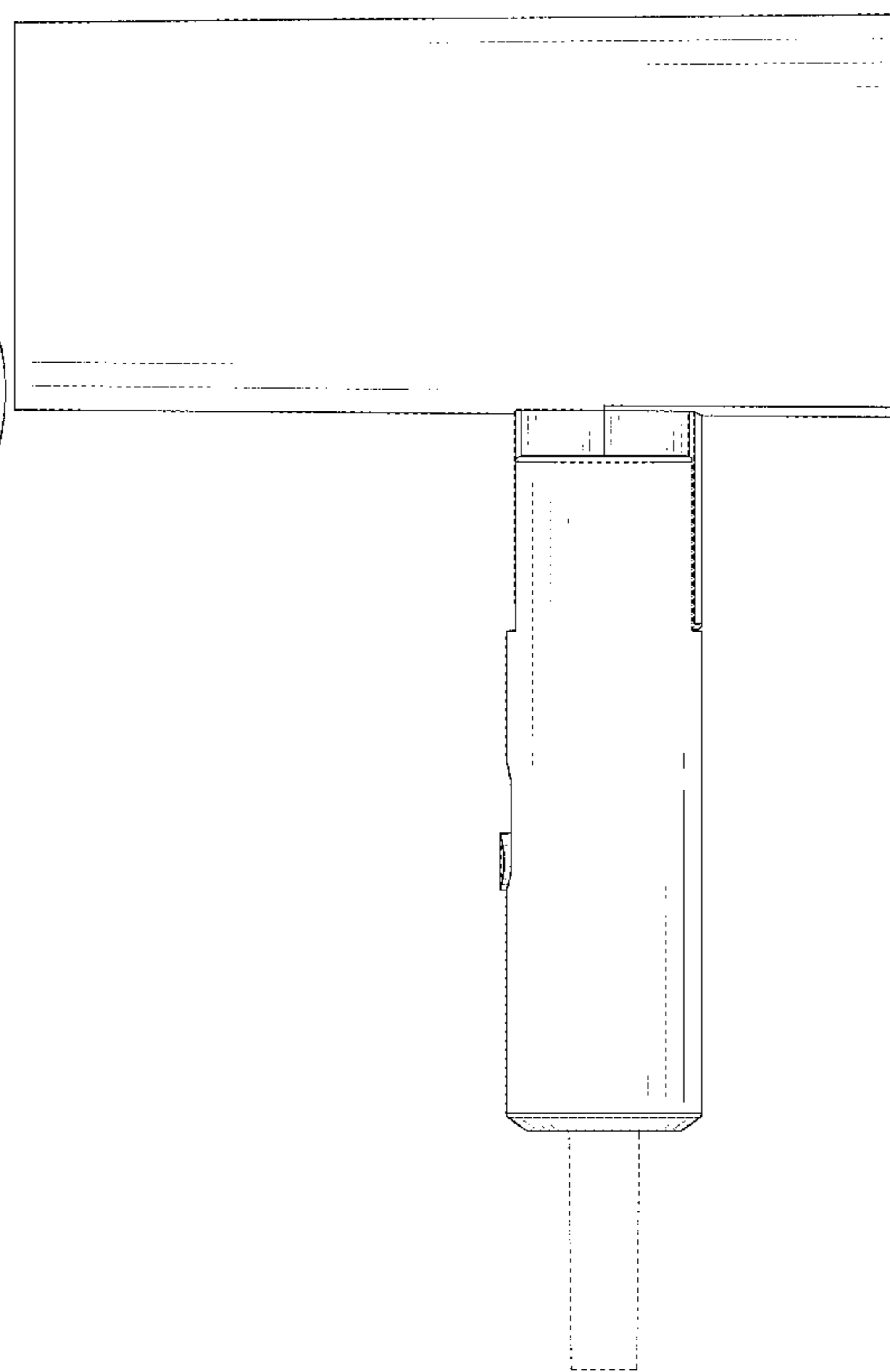
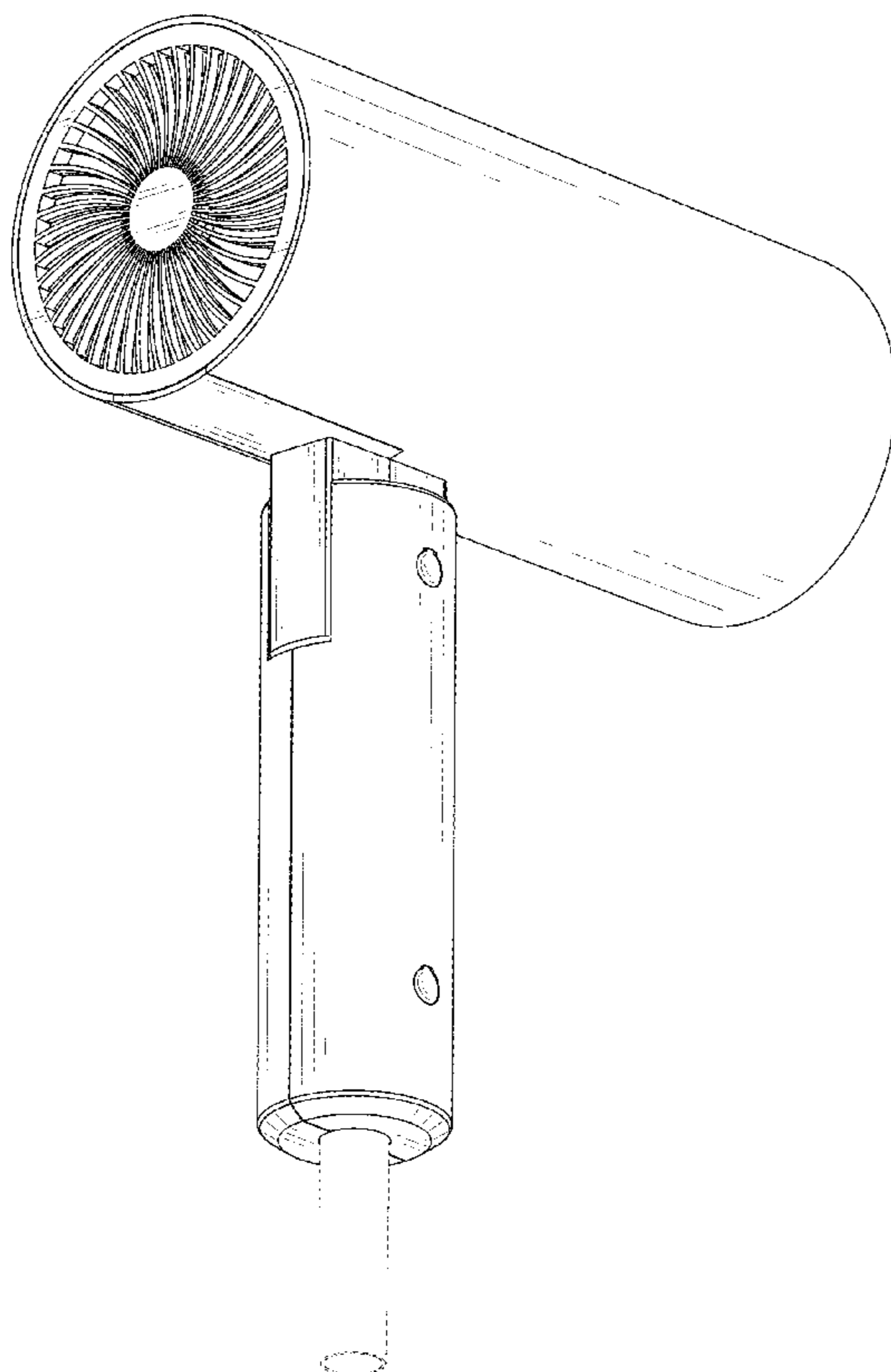
(57) **CLAIM**

The ornamental design for a hair dryer, as shown and described.

DESCRIPTION

FIG. 1 is a perspective view of a hair dryer showing my new design;
FIG. 2 is another perspective view thereof;
FIG. 3 is a front elevational view thereof;
FIG. 4 is a rear elevational view thereof;
FIG. 5 is a left side elevational view thereof;
FIG. 6 is a right side elevational view thereof;
FIG. 7 is a top plan view thereof; and,
FIG. 8 is a bottom plan view thereof.
The broken lines in the drawings depict portions of the hair dryer that form no part of the claimed design.

1 Claim, 8 Drawing Sheets



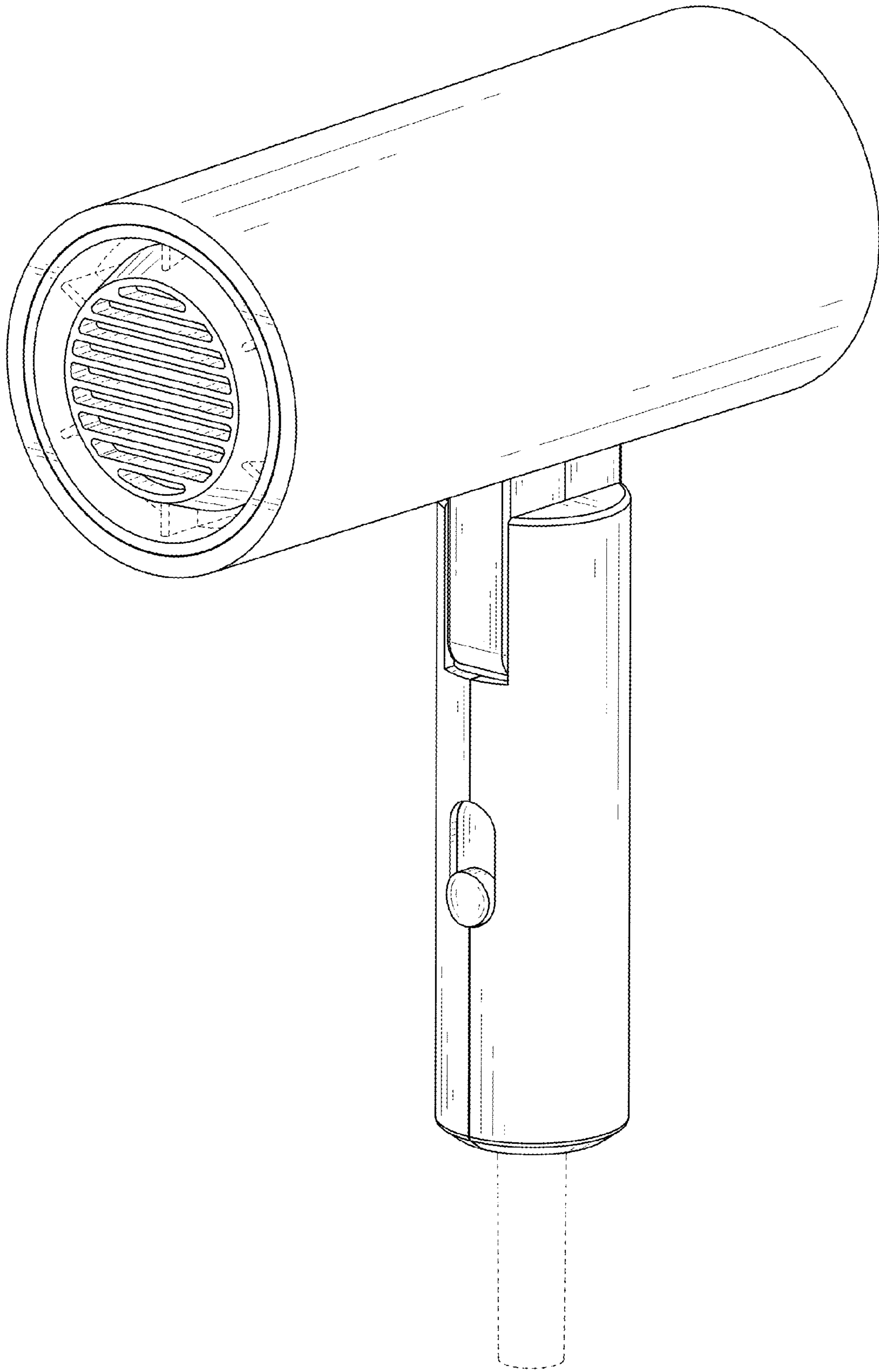


FIG. 1

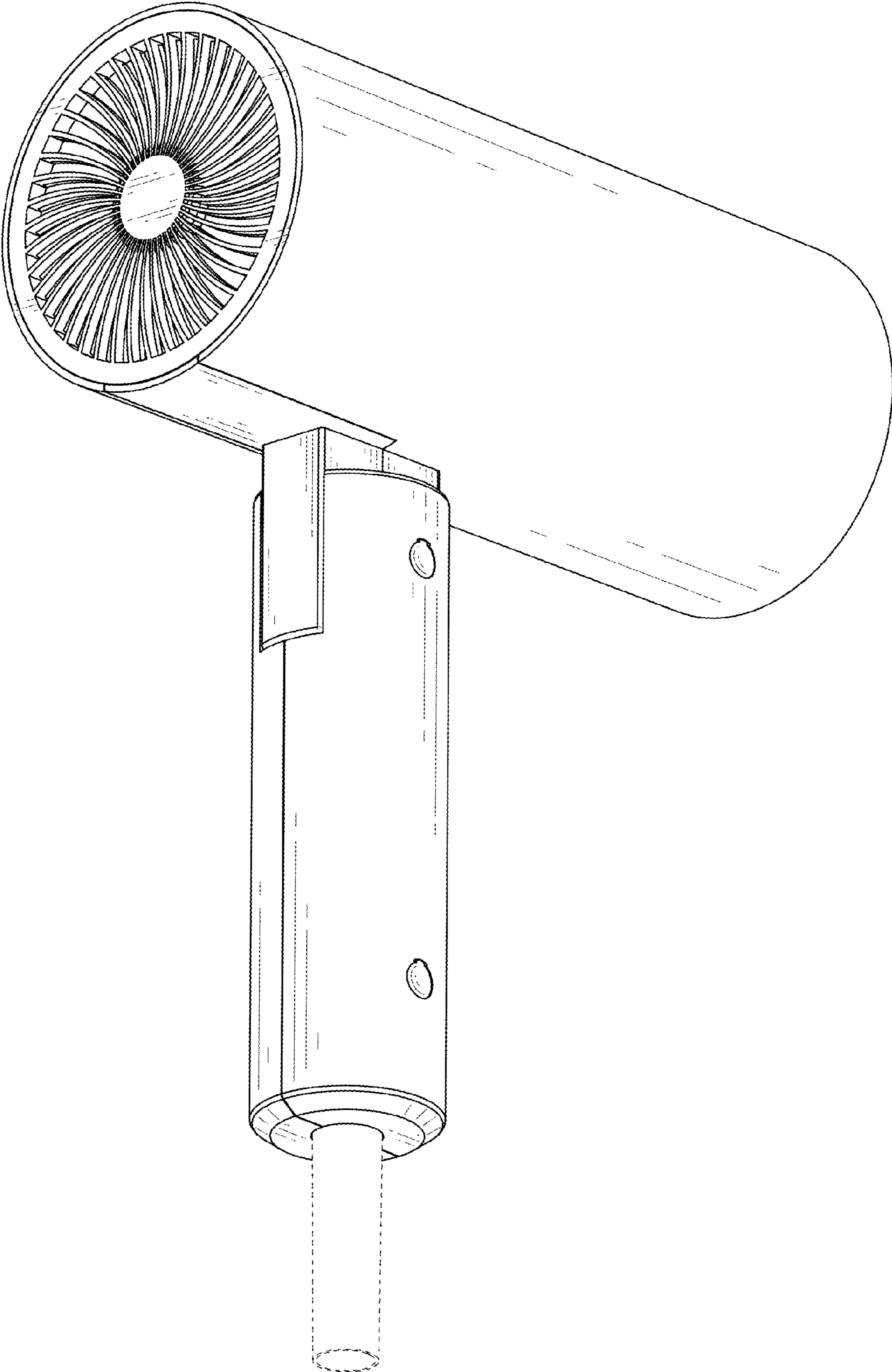


FIG. 2

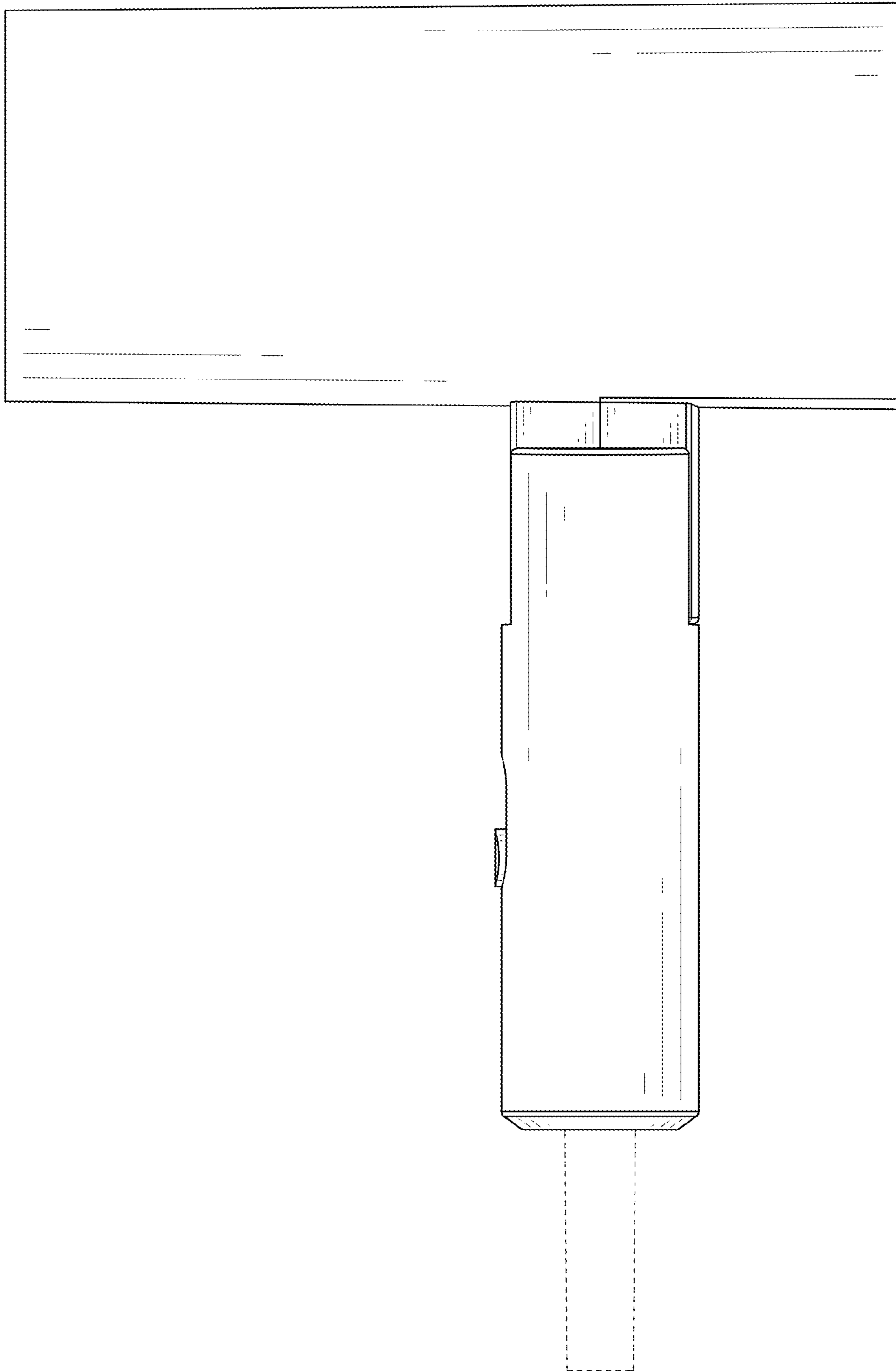


FIG. 3

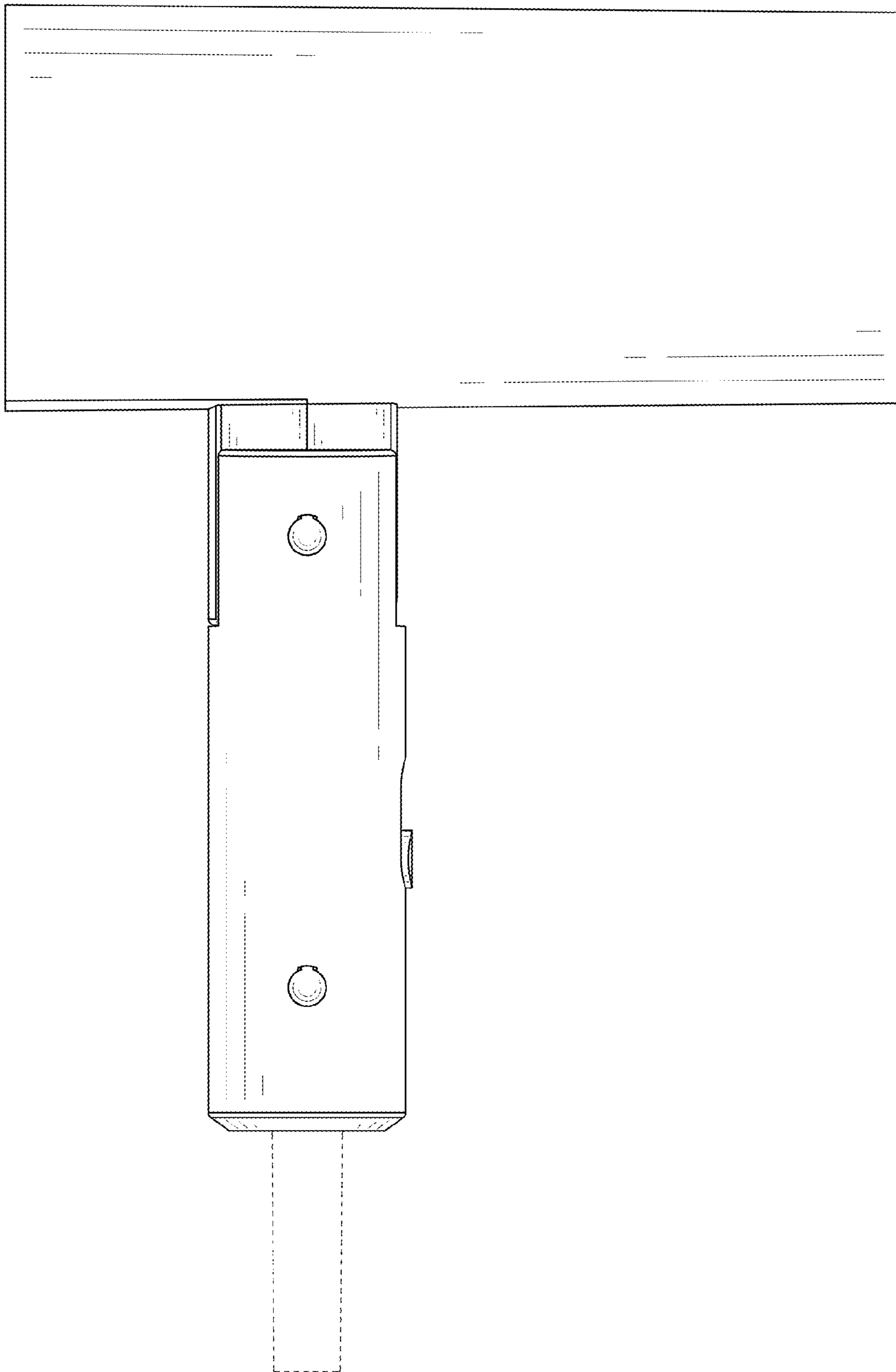


FIG. 4

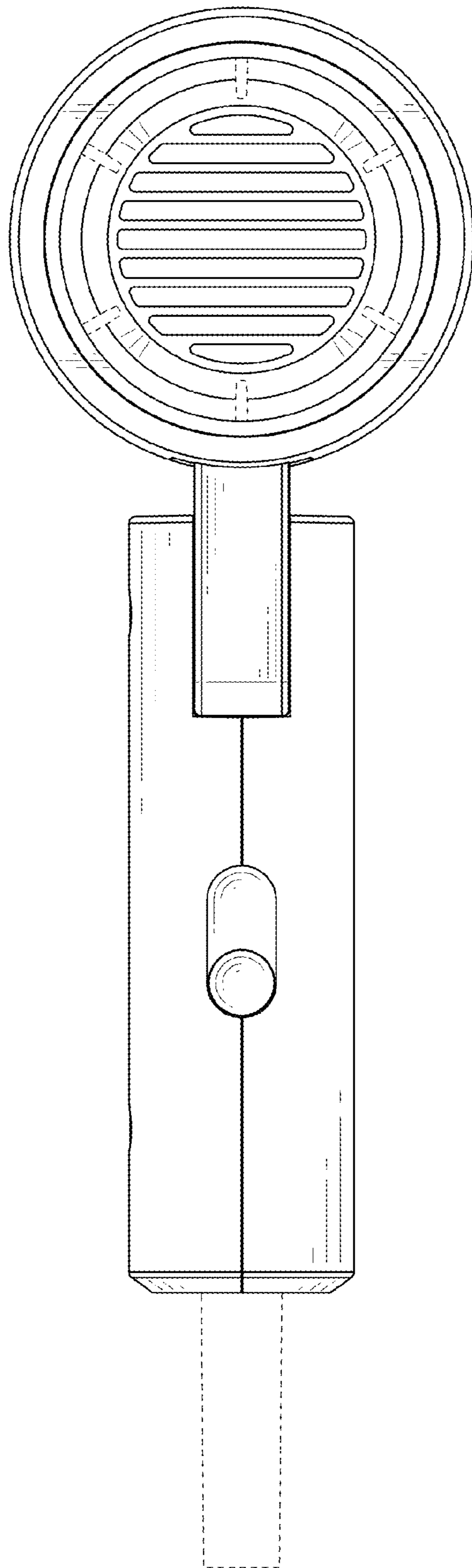


FIG. 5

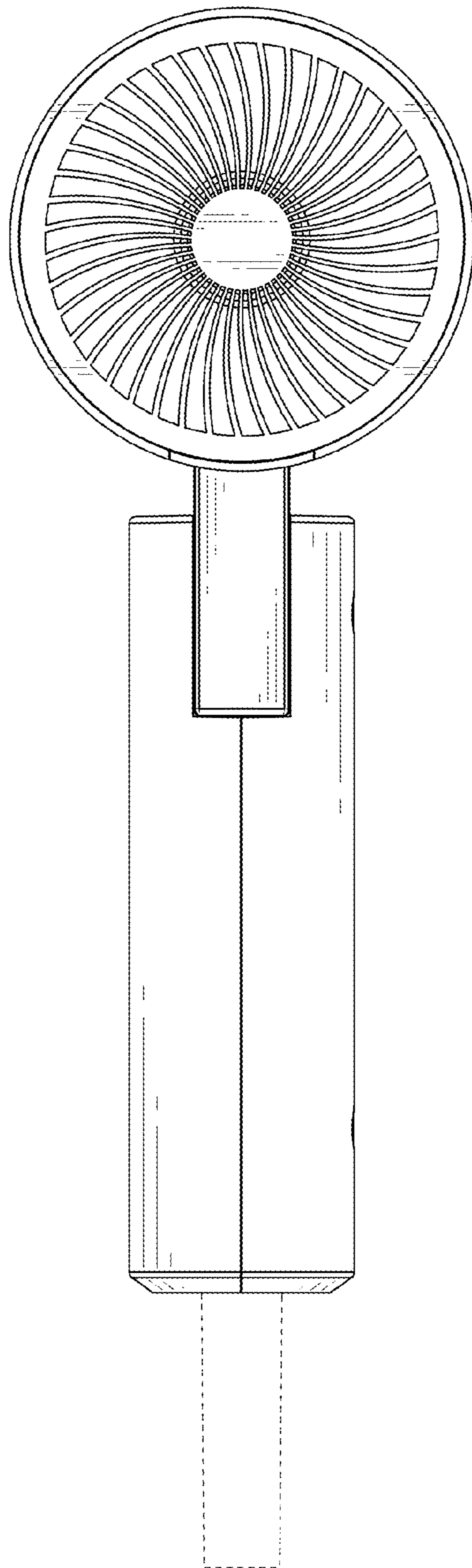


FIG. 6

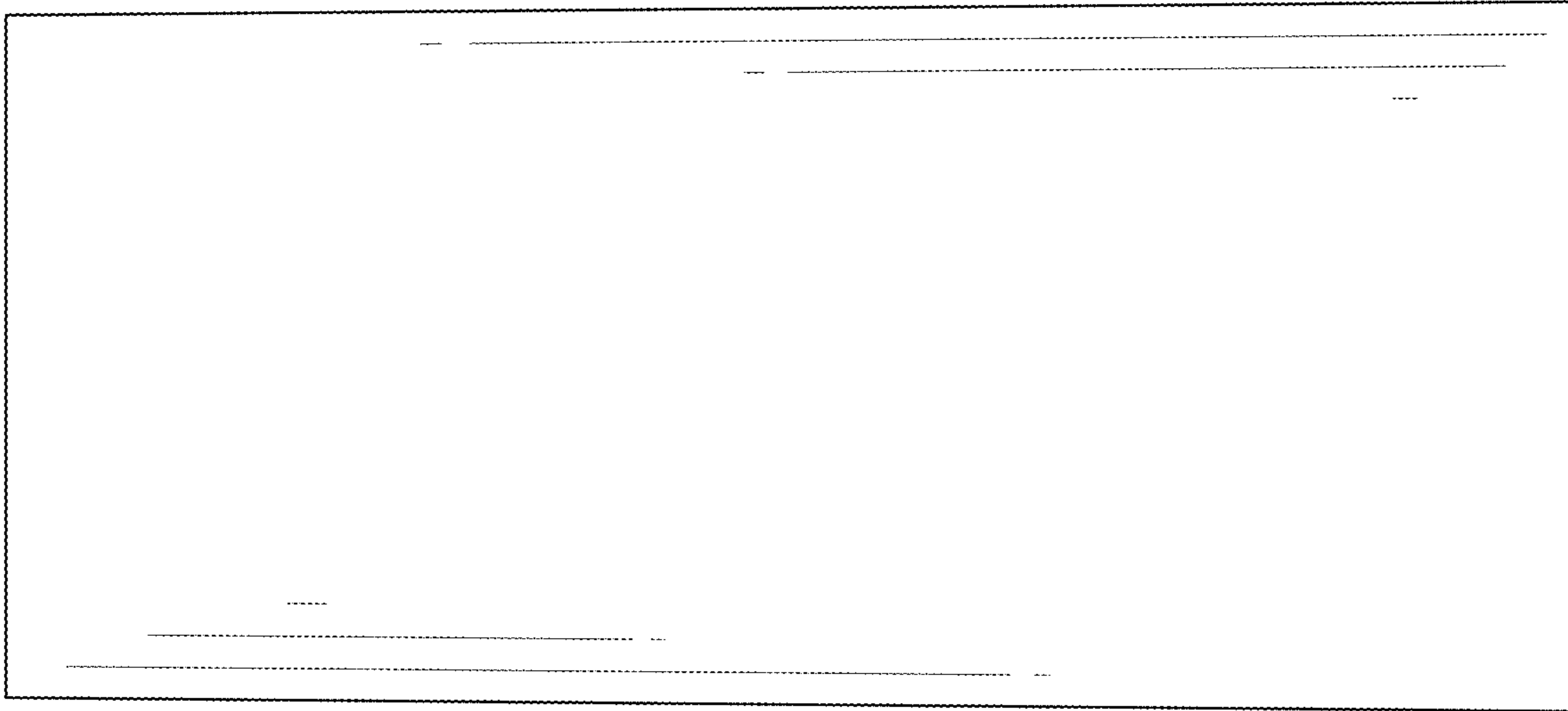


FIG. 7

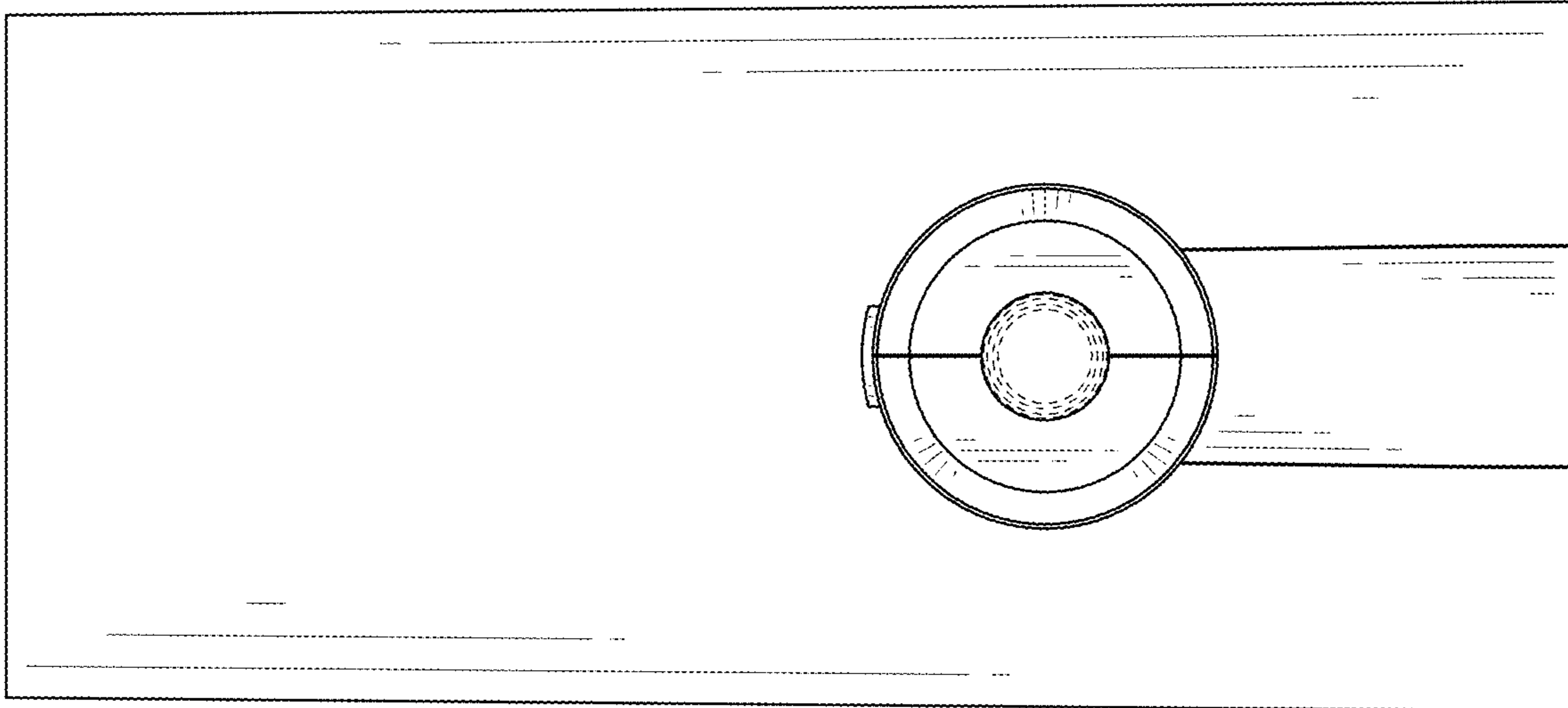


FIG. 8