



US00D894483S

(12) **United States Design Patent**
Won

(10) **Patent No.:** **US D894,483 S**

(45) **Date of Patent:** **** Aug. 25, 2020**

(54) **COSMETIC PUFF**

(71) Applicant: **Chae Lyeon Won**, Gyeonggi-do (KR)

(72) Inventor: **Chae Lyeon Won**, Gyeonggi-do (KR)

(73) Assignee: **Chae Lyeon Won**, Gyeonggi-do (KR)

(**) Term: **15 Years**

(21) Appl. No.: **29/677,524**

(22) Filed: **Jan. 22, 2019**

(51) **LOC (12) Cl.** **28-03**

(52) **U.S. Cl.**
USPC **D28/7**

(58) **Field of Classification Search**
USPC D28/7, 8, 20-22, 30-31, 76, 85, 99;
D32/40-45
CPC A45D 2200/10; A45D 2200/1009; A45D
2200/1018
See application file for complete search history.

(56) **References Cited**

U.S. PATENT DOCUMENTS

- 3,949,137 A * 4/1976 Akrongold A47L 13/17
15/104.93
- D483,916 S * 12/2003 Crosswaite D28/63
- D515,281 S * 2/2006 Luciano D2/615
- D552,813 S * 10/2007 Wolff D32/40
- D589,665 S * 3/2009 Kwapis D28/7

- D756,033 S * 5/2016 Gordon D28/7
- D800,961 S * 10/2017 Silva A45D 42/02
D28/7
- D831,887 S * 10/2018 Choi D28/7

* cited by examiner

Primary Examiner — Zenia I Bennett

(74) *Attorney, Agent, or Firm* — Reising Ethington, P.C.

(57) **CLAIM**

The ornamental design for a cosmetic puff, as shown and described.

DESCRIPTION

FIG. 1 is a perspective view of the cosmetic puff; the broken lines in FIG. 1 illustrate a user's hand and form no part of the claimed design;

FIG. 2 is another perspective view of the cosmetic puff, this view depicting a state of rest of the cosmetic puff;

FIG. 3 is a front view thereof (where a rear view is a mirror image of this front view);

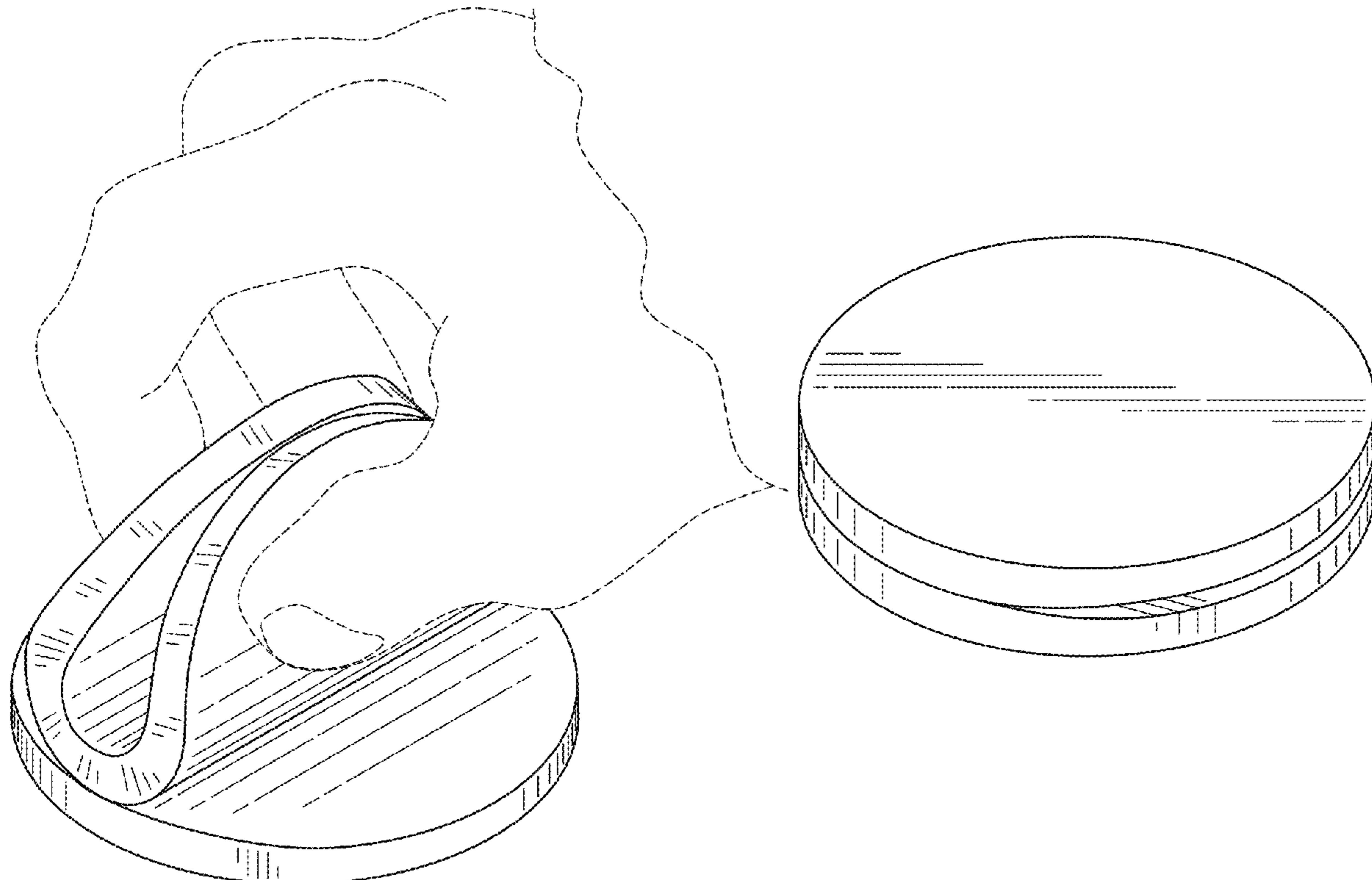
FIG. 4 is a left side view thereof (where the right side view is a mirror image of this left side view);

FIG. 5 is a top view thereof (where the bottom view is a mirror image of this top view); and,

FIG. 6 is a top view of the cosmetic puff in an alternate position folded.

Line surface shading resides on all of the figures in order to represent the character and contour of the surfaces of the cosmetic puff.

1 Claim, 2 Drawing Sheets



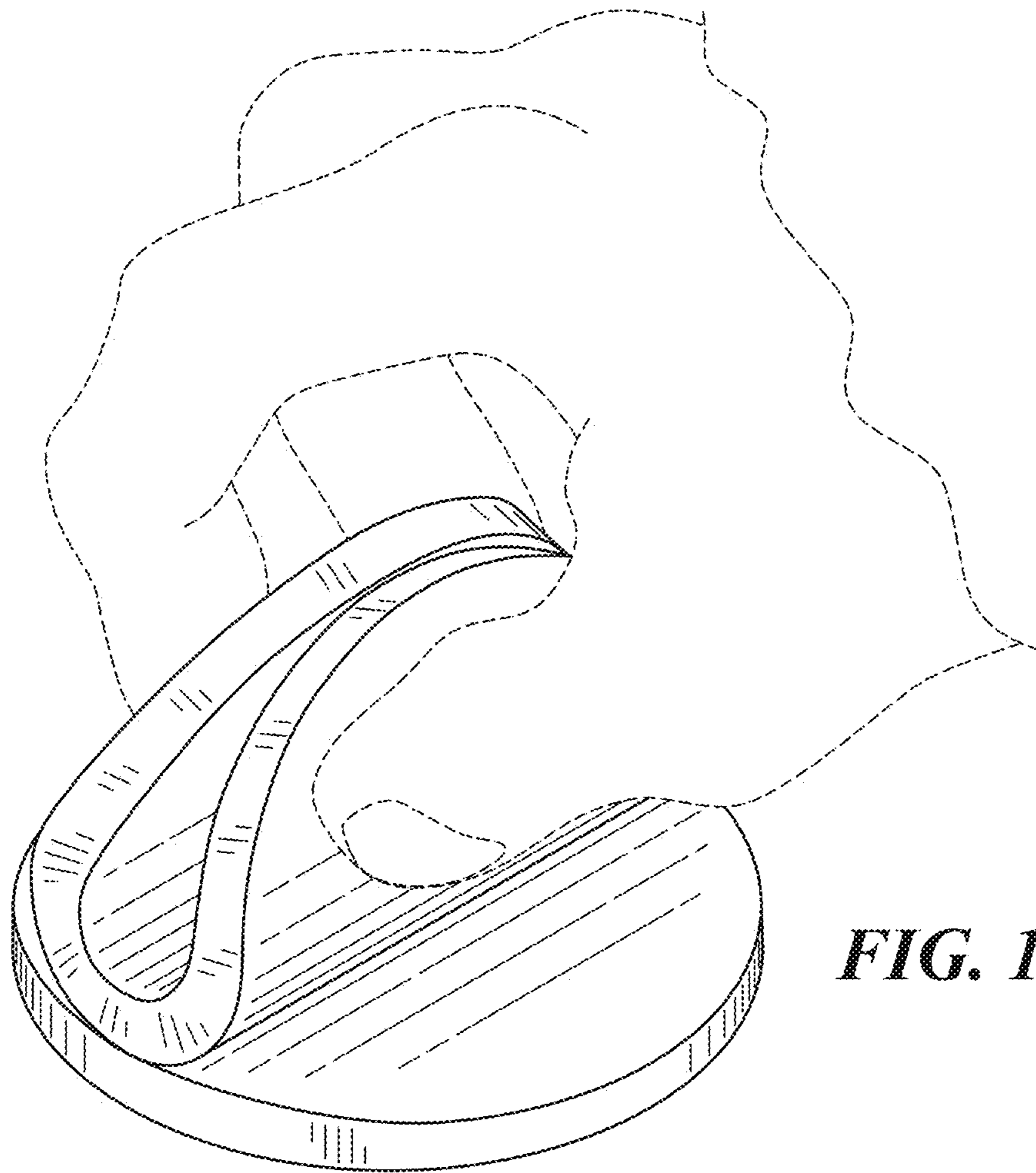


FIG. 1

FIG. 2

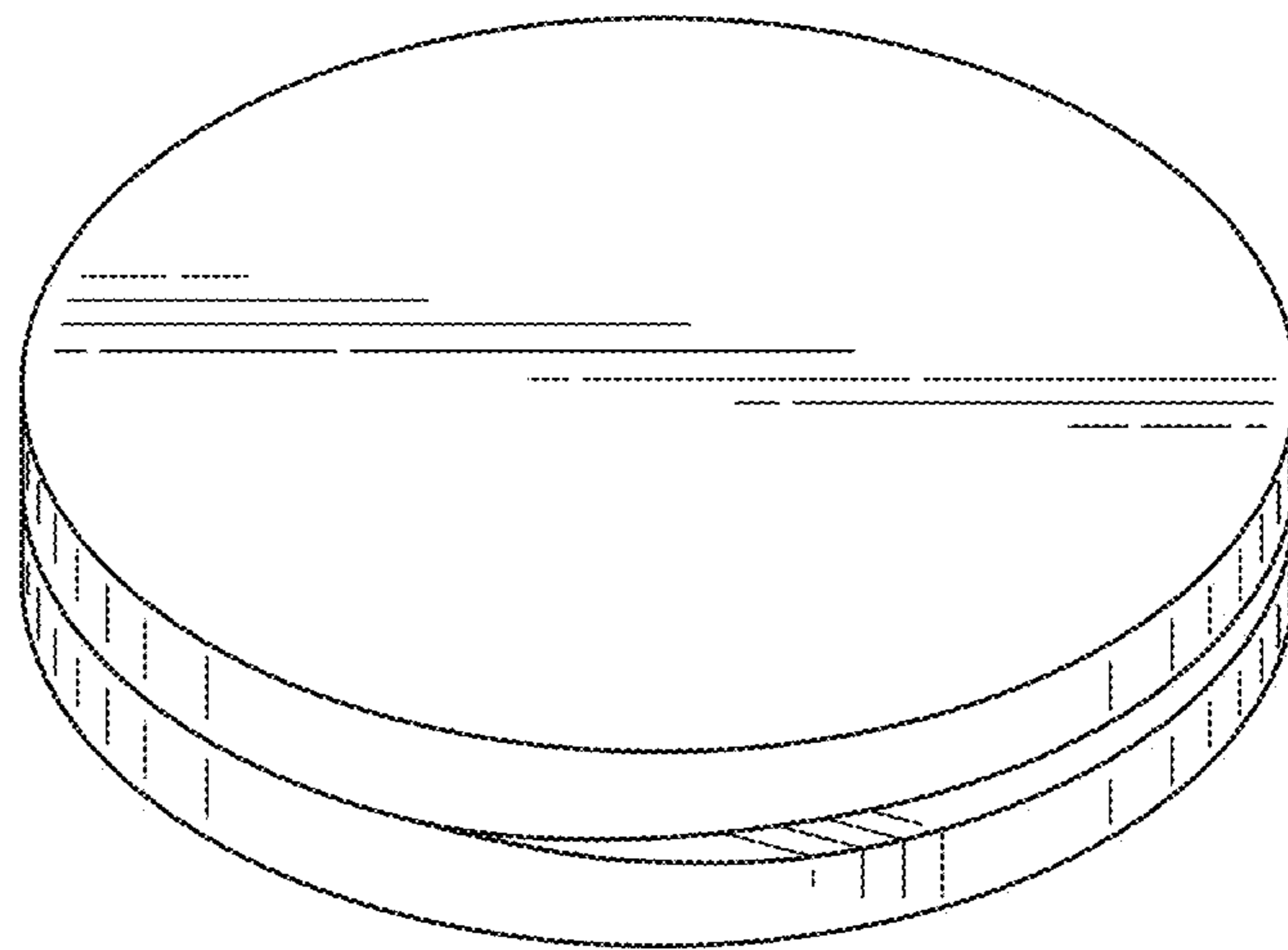


FIG. 3

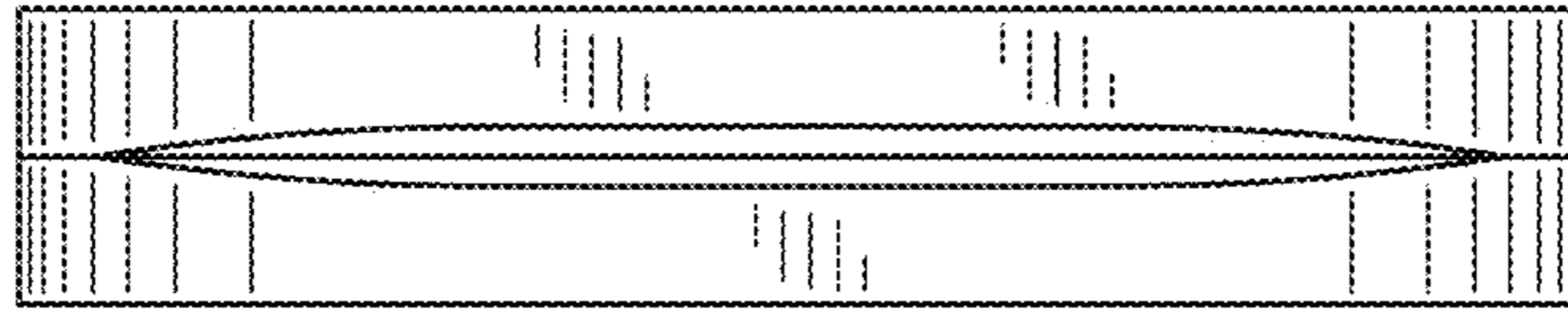
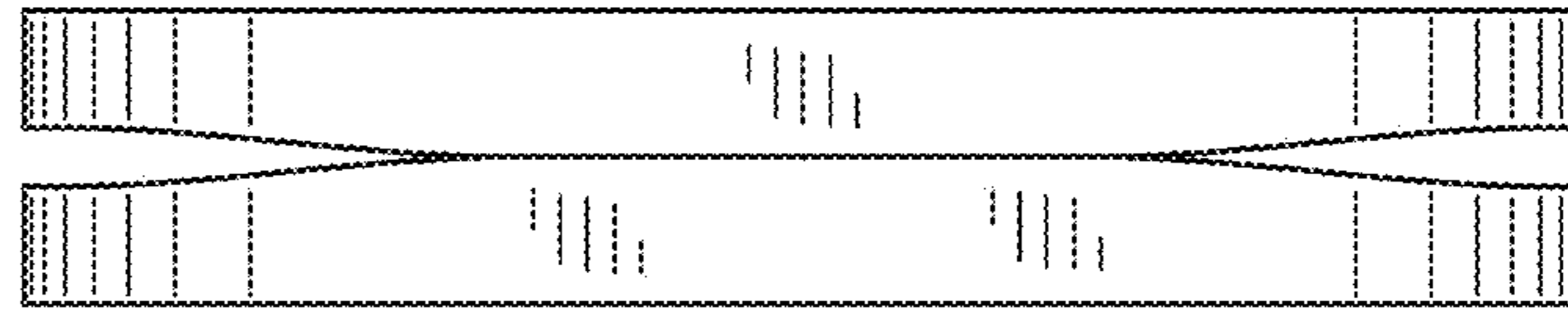


FIG. 4

FIG. 5

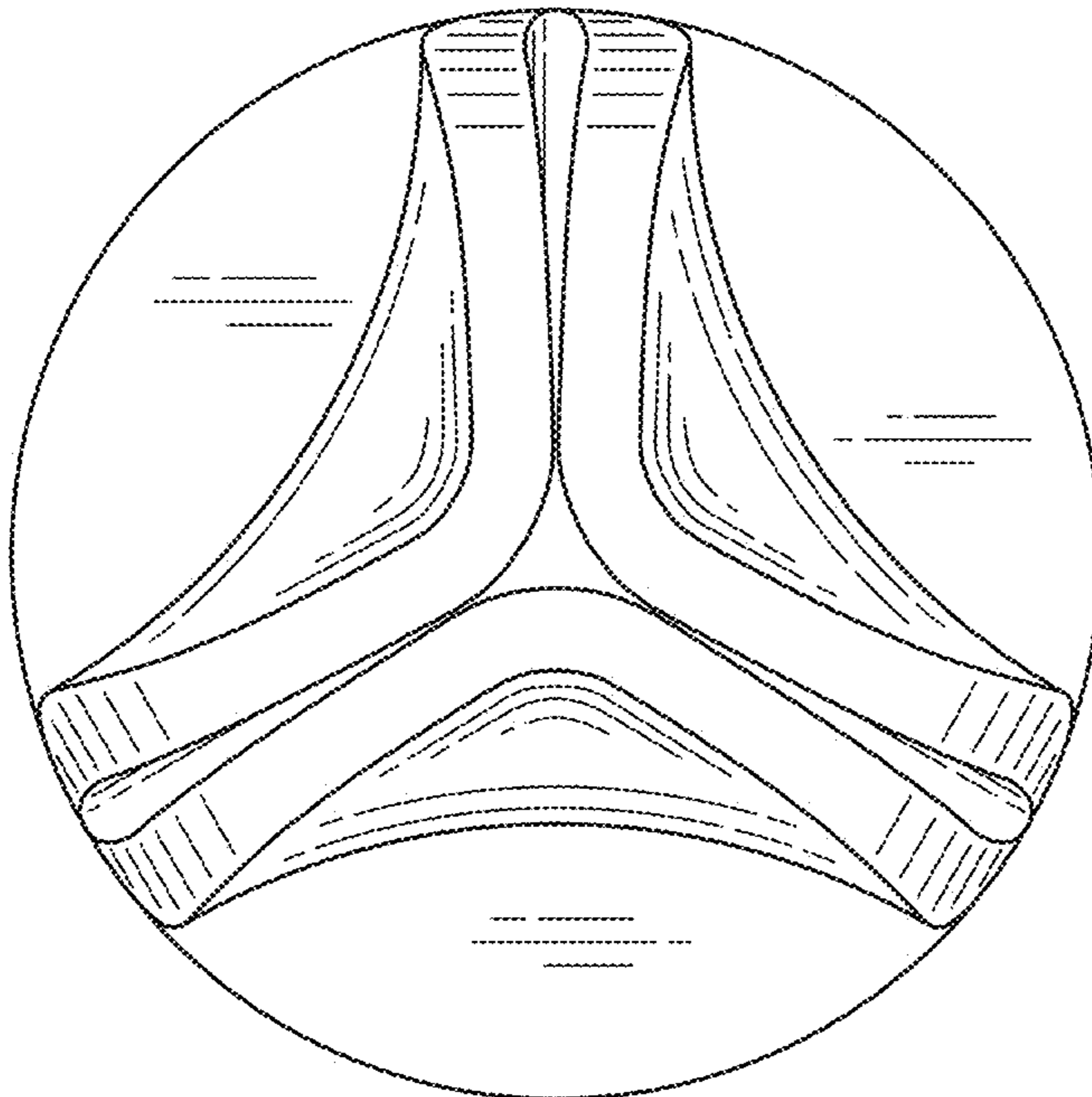
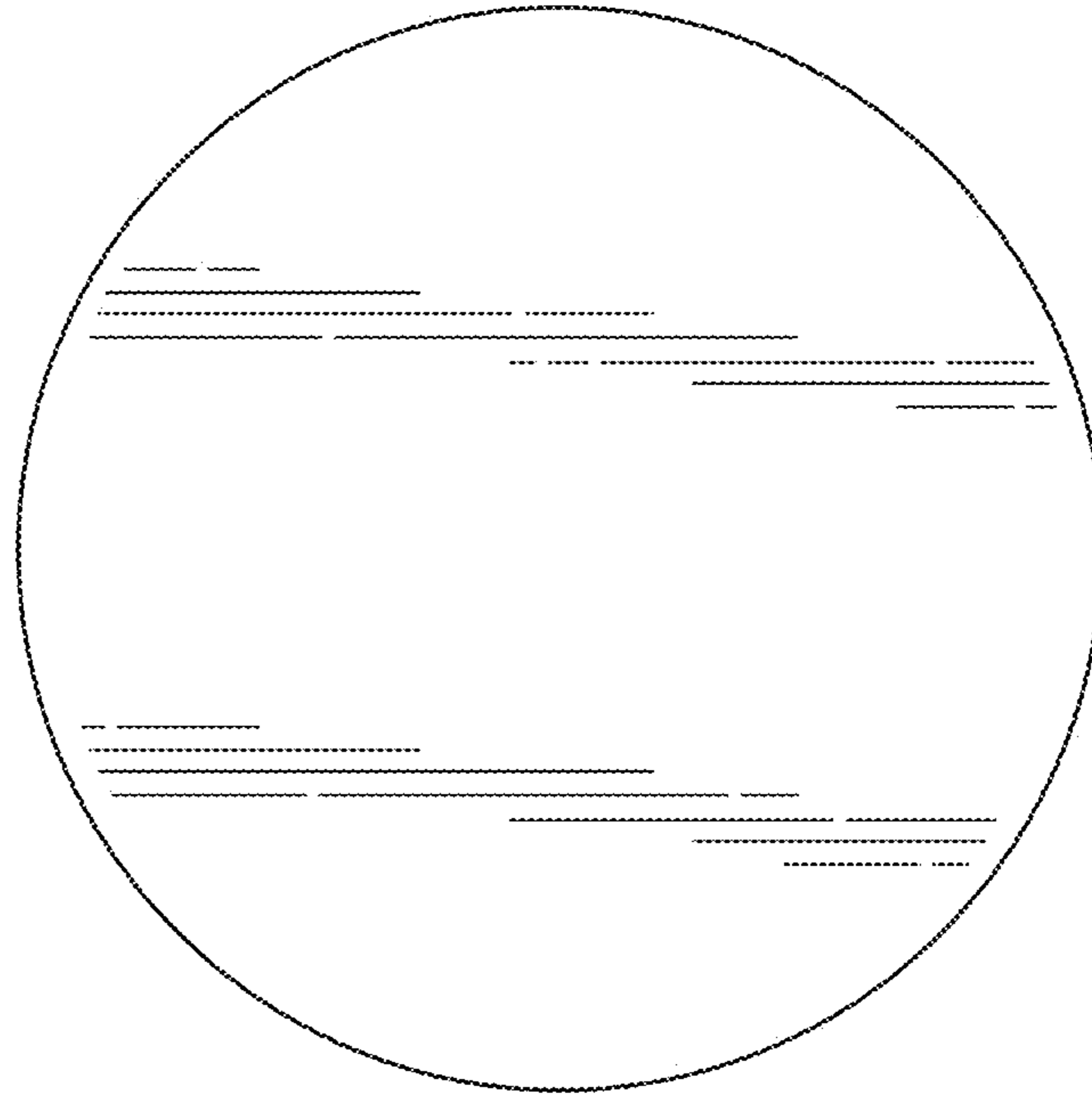


FIG. 6